



US00D942877S

(12) **United States Design Patent**
Gomez Garcia

(10) **Patent No.:** **US D942,877 S**
(45) **Date of Patent:** **** Feb. 8, 2022**

- (54) **FASTENER WITH DEPTH GAUGE**
- (71) Applicant: **Tecnicas Expansivas, S.L.**, Logrono (ES)
- (72) Inventor: **Valentin Gomez Garcia**, Logrono (ES)
- (73) Assignee: **Tecnicas Expansivas, S.L.**, Logrono (ES)

D654,384	S *	2/2012	McDonald	D10/66
D750,509	S *	3/2016	Jones	D10/65
D755,655	S *	5/2016	Scott	D10/81
D773,055	S *	11/2016	Krauss	D24/186
D803,081	S *	11/2017	Scott	D10/81
D818,807	S *	5/2018	Gomez Garcia	D8/387
D841,496	S *	2/2019	Peterson	D10/74
D875,565	S *	2/2020	Grillotti	D10/46
2011/0000344	A1 *	1/2011	Summers	G01B 3/28 81/429

(Continued)

(**) Term: **15 Years**

Primary Examiner — Katherine Glennon

(21) Appl. No.: **29/722,263**

(74) *Attorney, Agent, or Firm* — Thedford I. Hitaffer;
Hitaffer & Hitaffer, PLLC

(22) Filed: **Jan. 28, 2020**

(57) **CLAIM**

(51) **LOC (13) Cl.** **10-04**

The ornamental design for a fastener with depth gauge, as shown and described.

(52) **U.S. Cl.**

USPC **D10/70; D10/74**

DESCRIPTION

(58) **Field of Classification Search**

USPC D10/46, 49, 61, 62, 64, 66, 70–78,
D10/80–81, 83, 96

CPC G01B 2210/30; G01B 2210/303; G01B
11/22; G01H 3/00; G01H 3/04; G01H
3/08; G01D 11/245

See application file for complete search history.

FIG. 1 is a front perspective view of a fastener with depth gauge.

FIG. 2 is a rear perspective view of the fastener shown in FIG. 1.

FIG. 3 is a right side elevational view of the fastener shown in FIG. 1.

FIG. 4 is a left side elevational view of the fastener shown in FIG. 1.

FIG. 5 is a bottom plan view of the fastener shown in FIG. 1.

FIG. 6 is a top plan view of the fastener shown in FIG. 1.

FIG. 7 is a front view of the fastener shown in FIG. 1; and,

FIG. 8 is a rear view of the fastener shown in FIG. 1.

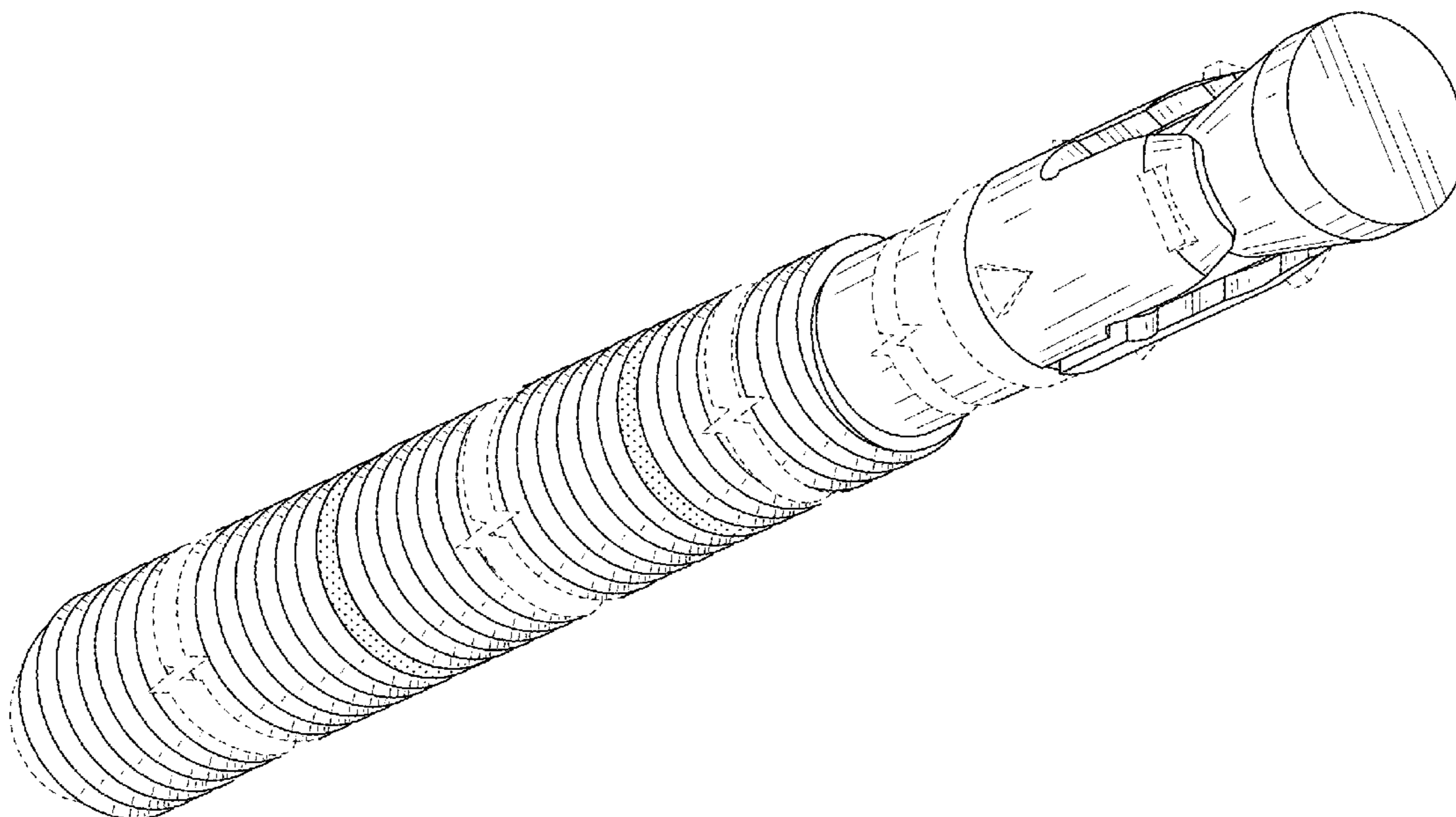
The broken lines show portions of the fastener with depth gauge that form no part of the claimed design. The fastener with depth gauge is shown with symbolic breaks in its length; the appearance of any portion of the article between the break lines forms no part of the claimed design.

(56) **References Cited**

U.S. PATENT DOCUMENTS

D207,553	S *	5/1967	Yamamoto	D10/73
D221,587	S *	8/1971	Aslan	D10/103
D248,018	S *	5/1978	Kubo	356/146
4,248,132	A *	2/1981	Blomseth	F42B 35/02 33/506
D322,582	S *	12/1991	Friedman	D10/70
D370,422	S *	6/1996	Libby	D10/83
D481,964	S *	11/2003	Masson	D10/83
7,607,238	B2 *	10/2009	Kim	G01B 3/28 33/512
7,832,295	B2 *	11/2010	Rodriguez	G01N 33/1886 73/866.5

1 Claim, 5 Drawing Sheets



(56)

References Cited

U.S. PATENT DOCUMENTS

2013/0048287 A1* 2/2013 Simson E21B 17/1014
166/298
2016/0278789 A1* 9/2016 Garvey A61B 17/88
2018/0112977 A1* 4/2018 Blacklock G01B 11/0683

* cited by examiner

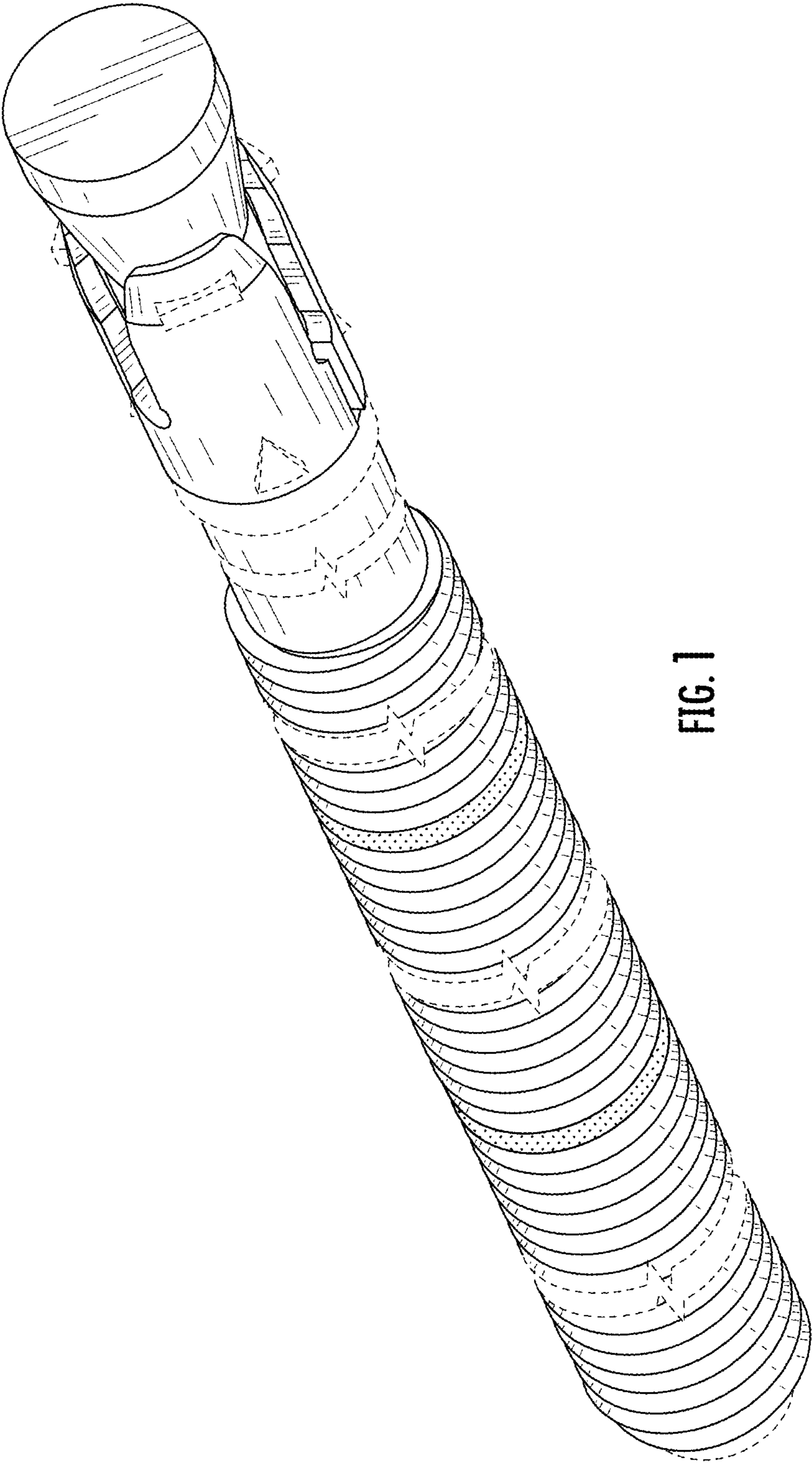


FIG. 1

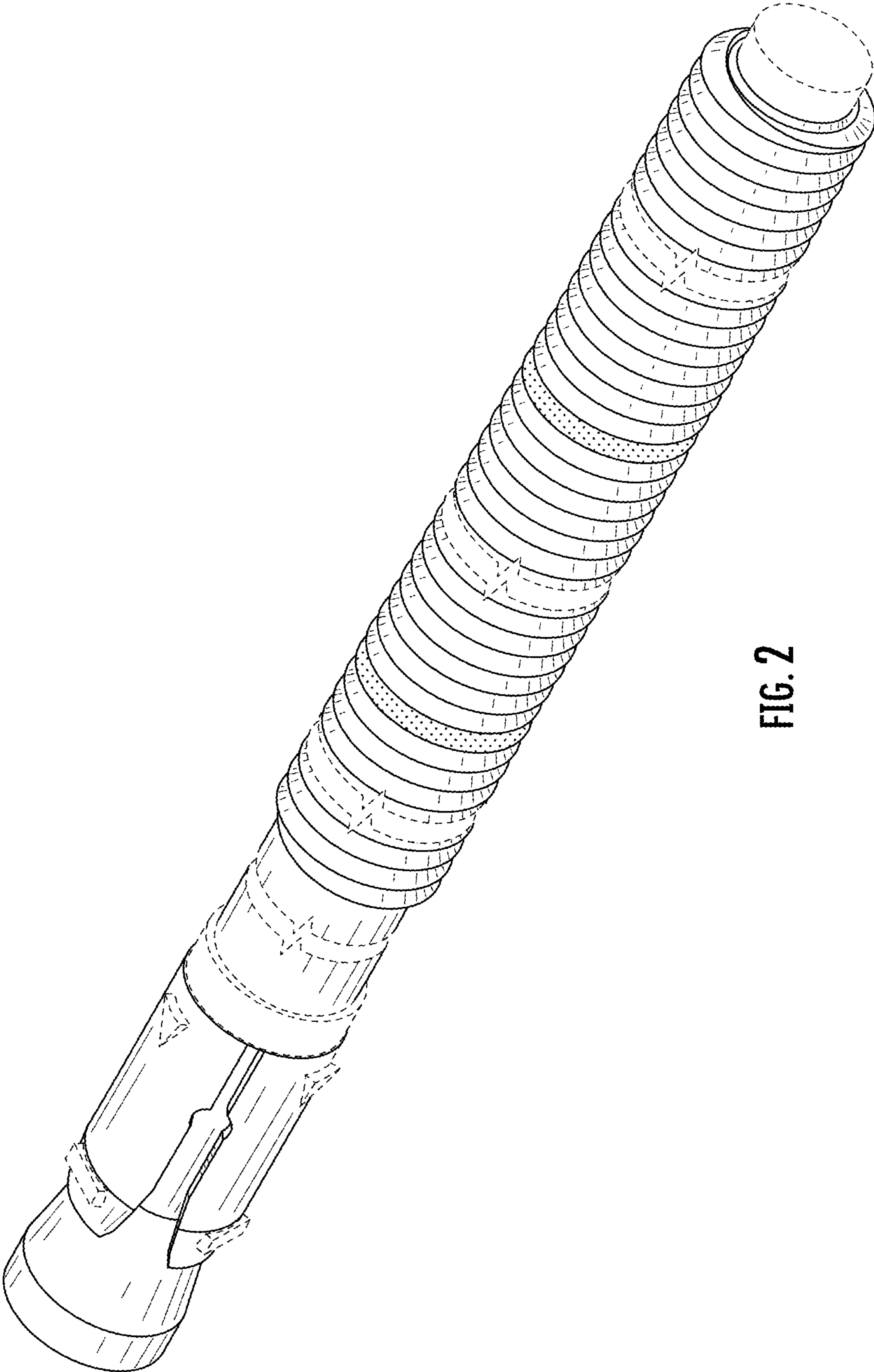


FIG. 2

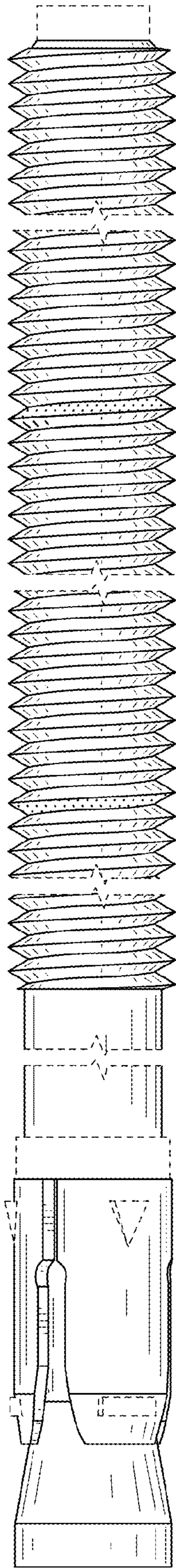


FIG. 3

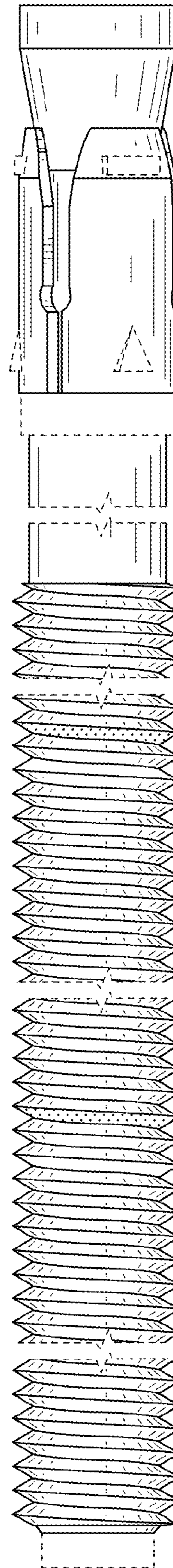


FIG. 4

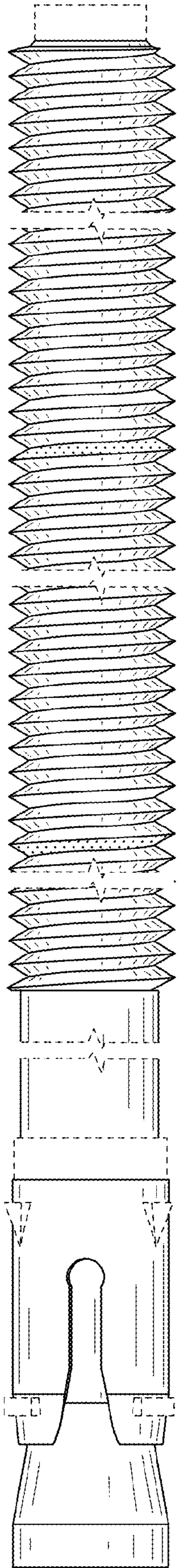


FIG. 5

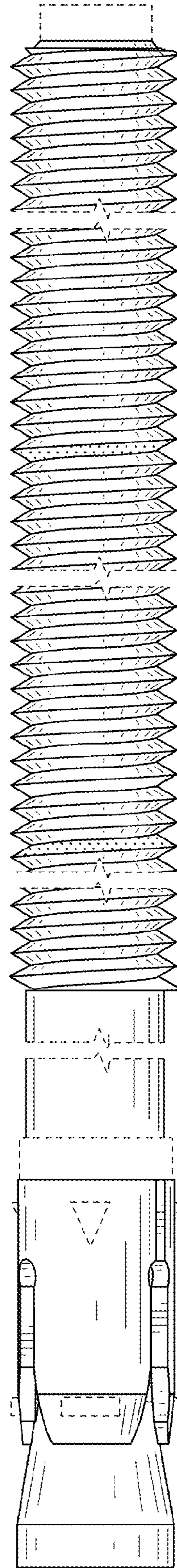


FIG. 6

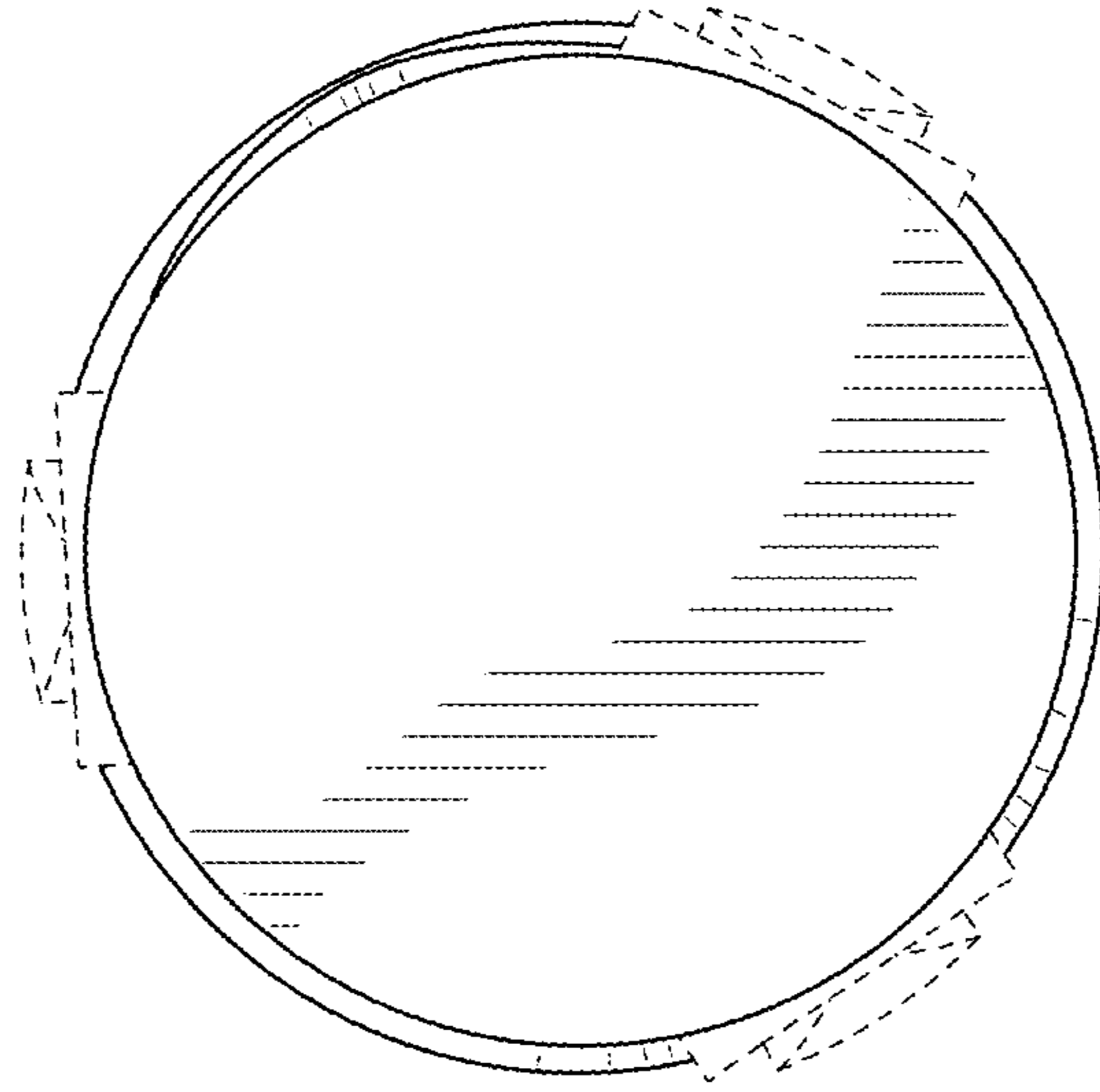


FIG. 7

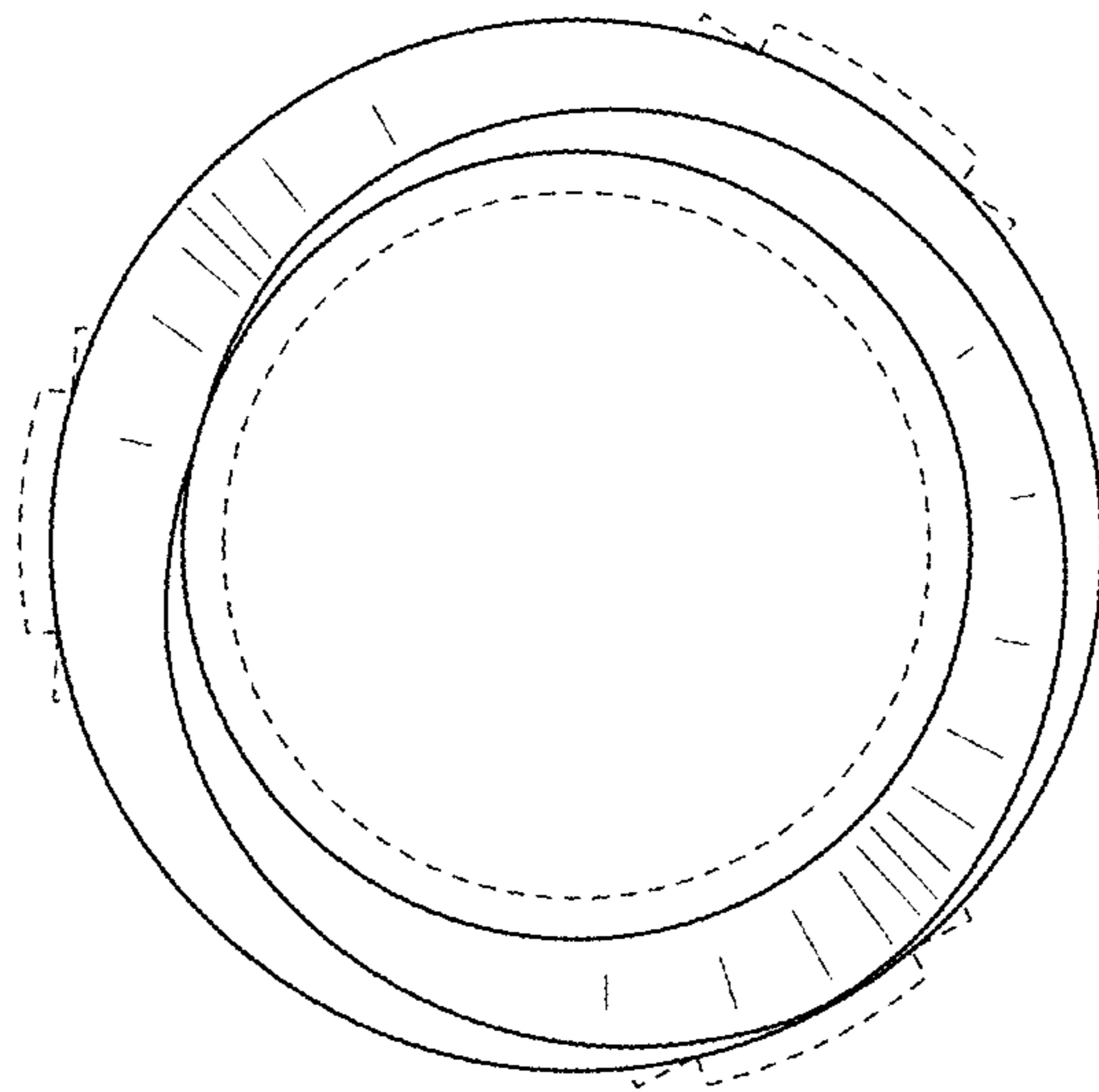


FIG. 8