

US00D942875S

(12) **United States Design Patent**
Shao et al.

(10) **Patent No.:** **US D942,875 S**
(45) **Date of Patent:** **** Feb. 8, 2022**

(54) **LASER LEVEL**

(71) Applicant: **Aukey Technology Co., Ltd**, Shenzhen (CN)

(72) Inventors: **Zelong Shao**, Shenzhen (CN); **Huiyue Ze**, Shenzhen (CN)

(73) Assignee: **Aukey Technology Co., Ltd**, Shenzhen (CN)

(**) Term: **15 Years**

(21) Appl. No.: **29/727,664**

(22) Filed: **Mar. 12, 2020**

(51) **LOC (13) Cl.** **10-04**

(52) **U.S. Cl.**
USPC **D10/69**

(58) **Field of Classification Search**
USPC D10/75, 69, 70; D14/125, 497, 203, 498;
D16/200, 202, 203, 204, 221

CPC . G01C 9/00; G01C 9/005; G01C 9/02; G01C 9/04; G01C 9/06; G01C 9/08; G01C 9/10; G01C 9/12; G01C 9/14; G01C 9/16; G01C 9/18; G01C 9/20; G01C 9/22; G01C 9/24; G01C 9/26; G01C 9/28; G01C 9/30; G01C 9/32; G01C 9/34; G01C 9/36; G01C 2009/005; G01C 2009/062; G01C 2009/064; G01C 2009/066; G01C 2009/068; G01C 2009/102; G01C 2009/105; G01C 2009/107; G01C 2009/182; G01C 2009/185; G01C 2009/187; G01C 5/00; G01C 15/004; G01C 25/00; G01C 21/20; G01C 15/002; G01C 15/008; G03F 9/70; G03F 9/7049; G03F 9/7076; G03F 9/7046; G03F 7/7085; G03F 9/7088; G01P 3/36; G01B 11/028; G01B 11/272; G01B 11/26; G01B 11/14; G01B 11/002; G01B 11/026; G02B 27/644; G02B 27/64; G02B 27/646; G02B 27/32; G02B 27/648; G02B 6/385; G02B 6/3843; G02B 6/422; G02B 6/4222; G02B

6/4225; G02B 6/4221; G02B 6/4234; C03B 2215/413; F41G 7/2253; F41G 7/2293; G01S 1/703;

(Continued)

(56) **References Cited**

U.S. PATENT DOCUMENTS

D315,742 S * 3/1991 Matsumoto D16/203
D464,981 S * 10/2002 Nagase D16/203

(Continued)

FOREIGN PATENT DOCUMENTS

EM 007749122-0003 * 3/2020

OTHER PUBLICATIONS

Huepar website, publication date Nov. 25, 2020, (online) URL: <https://www.huepar.com/products/huepar-16-linhas-4d-linha-transversal-nivel-do-laser-linha-verde-feixe-com-bateria-li-ion-para-telhas-piso-multifunction-remoto-controle> (Year: 2020).*

Primary Examiner — L. A. Grabenstetter
Assistant Examiner — Antoinette Martine Suiter
(74) *Attorney, Agent, or Firm* — Westbridge IP LLC

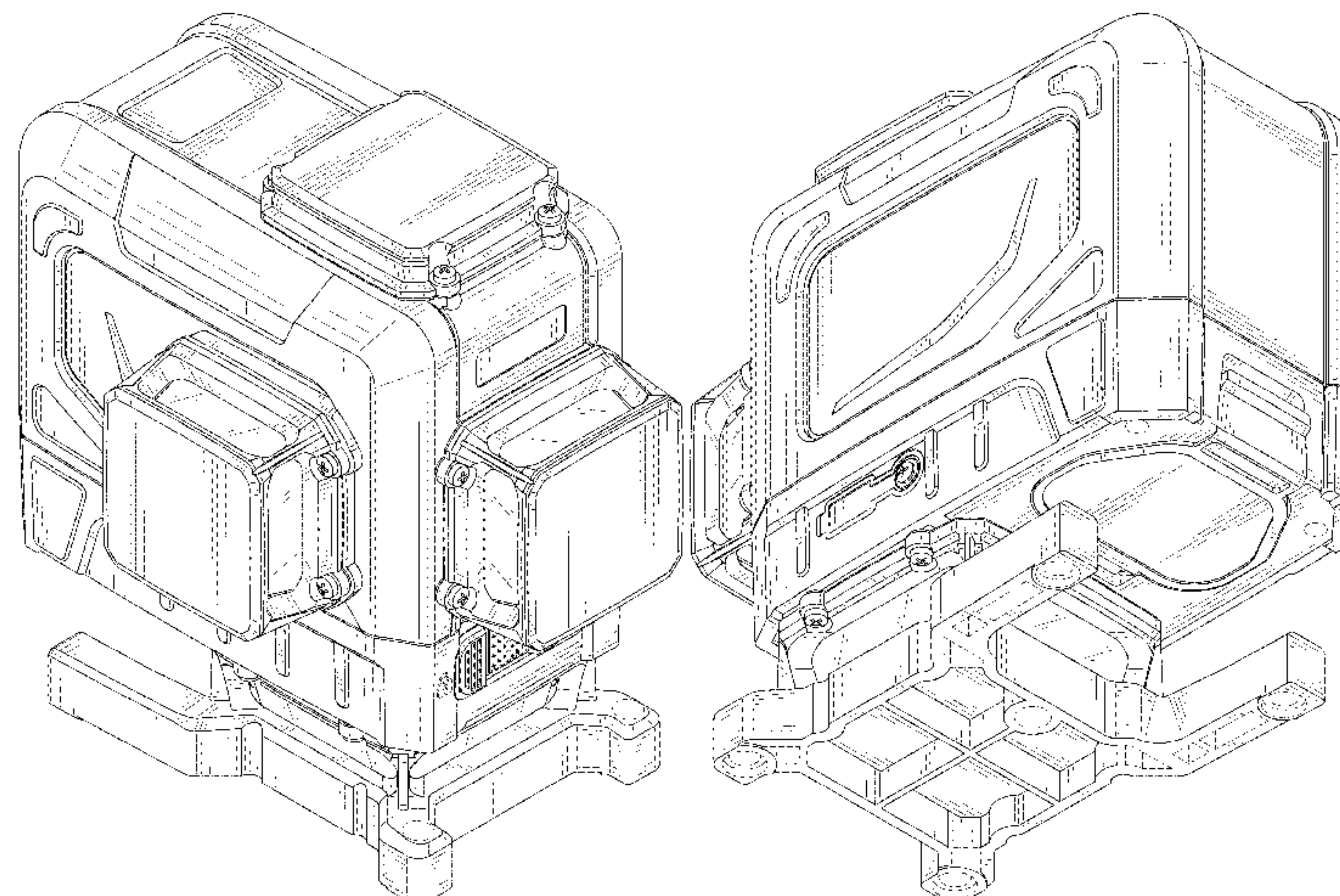
(57) **CLAIM**

The ornamental design for a laser level, as shown and described.

DESCRIPTION

FIG. 1 is front, left and top perspective view of a laser level showing our new design;
FIG. 2 is a rear, right and bottom perspective view thereof;
FIG. 3 is a front elevational view thereof;
FIG. 4 is a rear elevational view thereof;
FIG. 5 is a left side view thereof;
FIG. 6 is a right side view thereof;
FIG. 7 is a top plan view thereof; and,
FIG. 8 is a bottom plan view thereof.

(Continued)



The broken lines in the drawings illustrate the portions of the laser level which form no part of the claimed design.

1 Claim, 8 Drawing Sheets

(58) Field of Classification Search

CPC G01S 1/7038; G01S 1/7034; G01S 1/70;
 G01S 3/789; G01S 2201/03; G01S 3/787;
 G01S 1/7032; G01S 1/7036; G01S 17/89;
 G01S 17/48; B64G 1/36

See application file for complete search history.

(56) References Cited

U.S. PATENT DOCUMENTS

D504,340 S * 4/2005 Concari D10/70
 D567,975 S * 4/2008 Wright D10/65
 D725,169 S * 3/2015 Gioscia D16/200
 D732,593 S * 6/2015 Woodman B63B 25/002
 D16/200
 D739,451 S * 9/2015 Gioscia D16/200

D740,701 S * 10/2015 Schulze D10/70
 D743,472 S * 11/2015 Tanifuji D16/219
 D753,520 S * 4/2016 Takenaka D10/70
 D776,741 S * 1/2017 Parfitt D16/204
 D785,697 S * 5/2017 Costa D16/242
 D800,819 S * 10/2017 Parfitt D16/219
 D805,117 S * 12/2017 Nguyen D16/218
 D828,427 S * 9/2018 Wu D16/203
 D837,861 S * 1/2019 Luo D16/200
 D850,942 S * 6/2019 Corrigan D10/69
 D852,070 S * 6/2019 Lu D10/65
 D868,131 S * 11/2019 Hu D16/200
 D882,427 S * 4/2020 Shao D10/69
 D887,291 S * 6/2020 Waldron D10/69
 D888,125 S * 6/2020 Wang D16/203
 D896,294 S * 9/2020 Bennett D16/202
 D928,638 S * 8/2021 Zheng D10/69
 D935,506 S * 11/2021 Tan D16/200
 2014/0352161 A1 * 12/2014 Ranieri G01C 15/004
 33/291
 2016/0252801 A1 * 9/2016 Harrison G03B 17/08
 396/27
 2018/0321035 A1 * 11/2018 Yong G01C 15/004

* cited by examiner

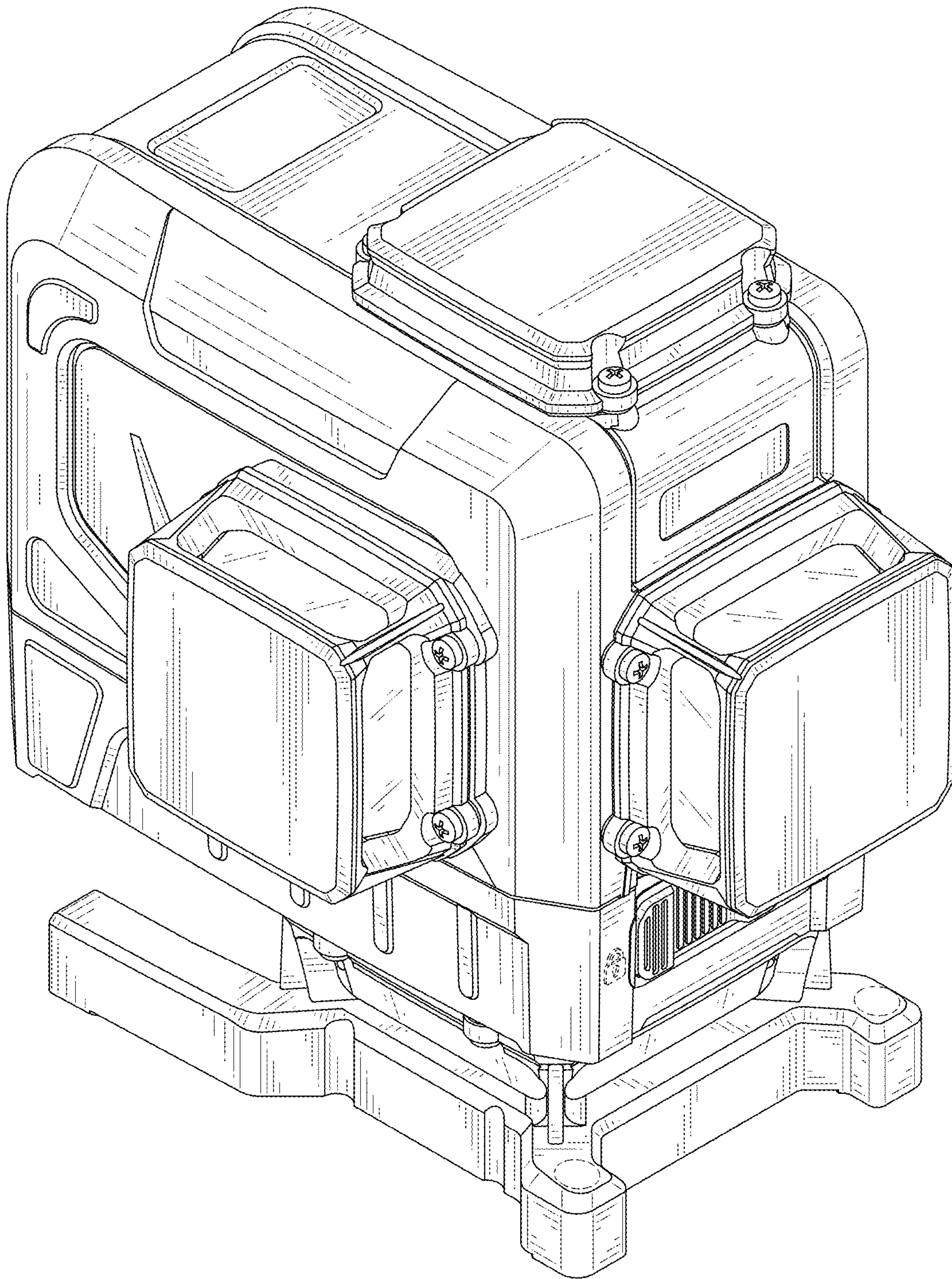


FIG. 1

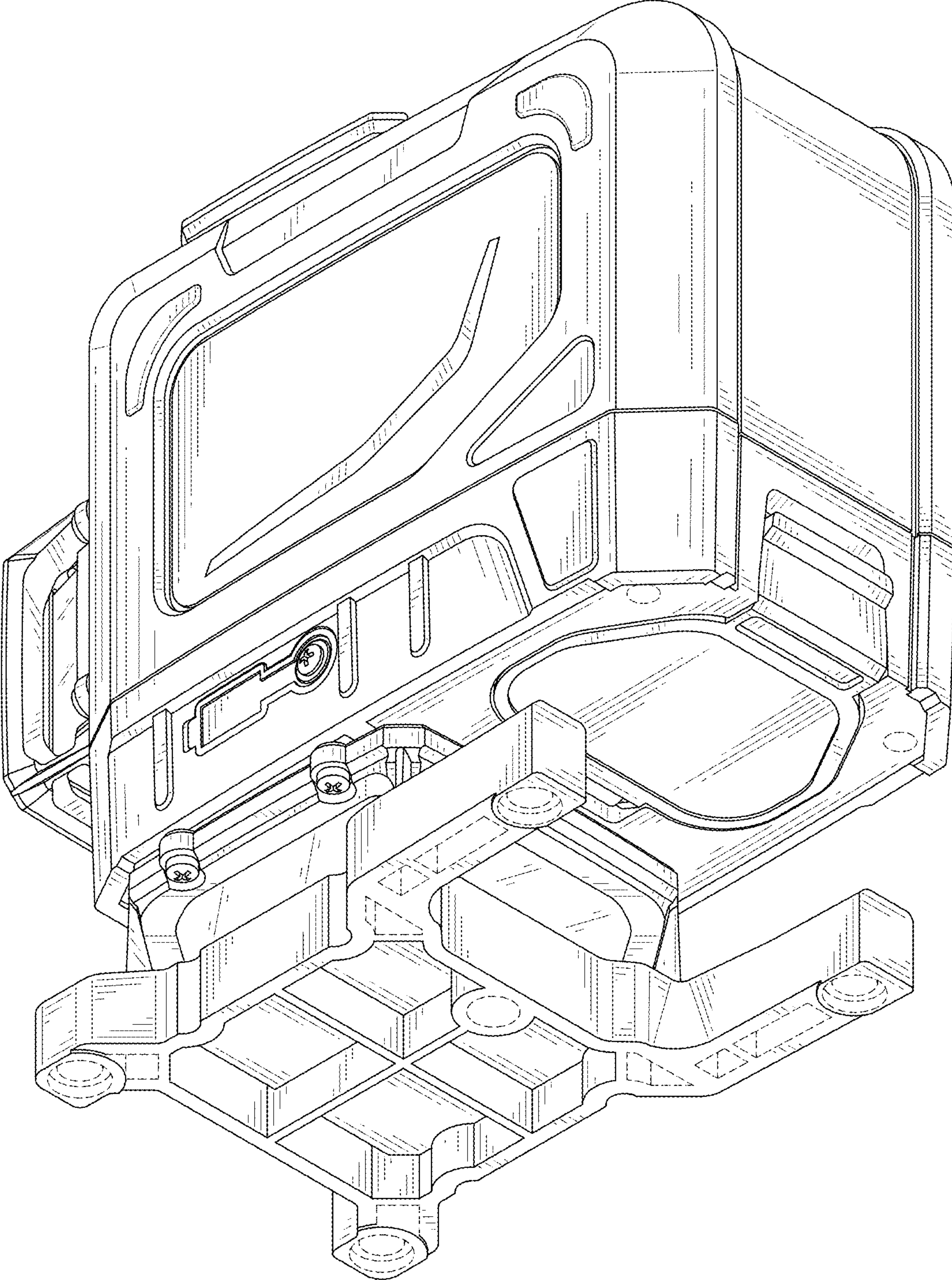


FIG. 2

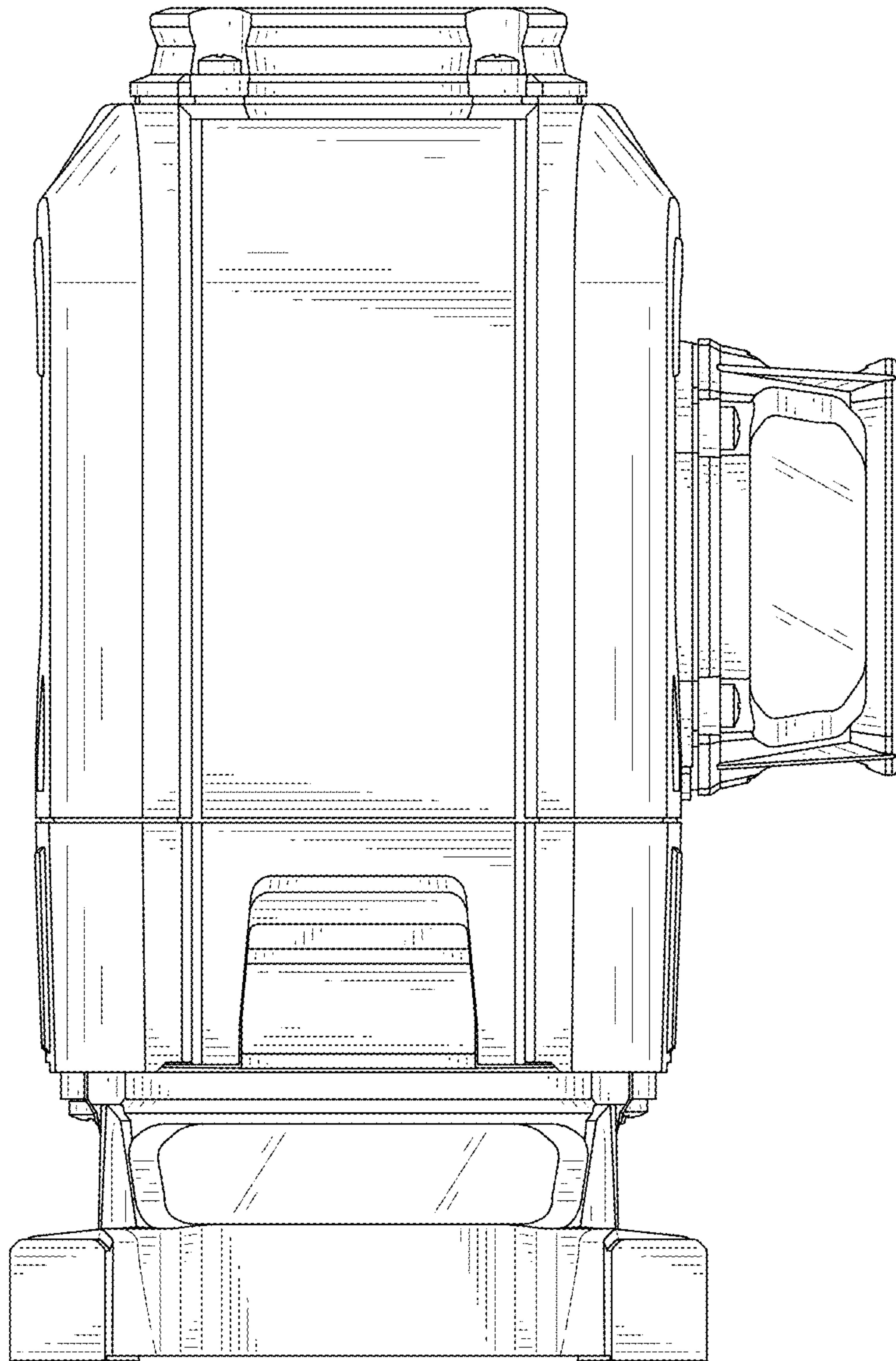


FIG. 3

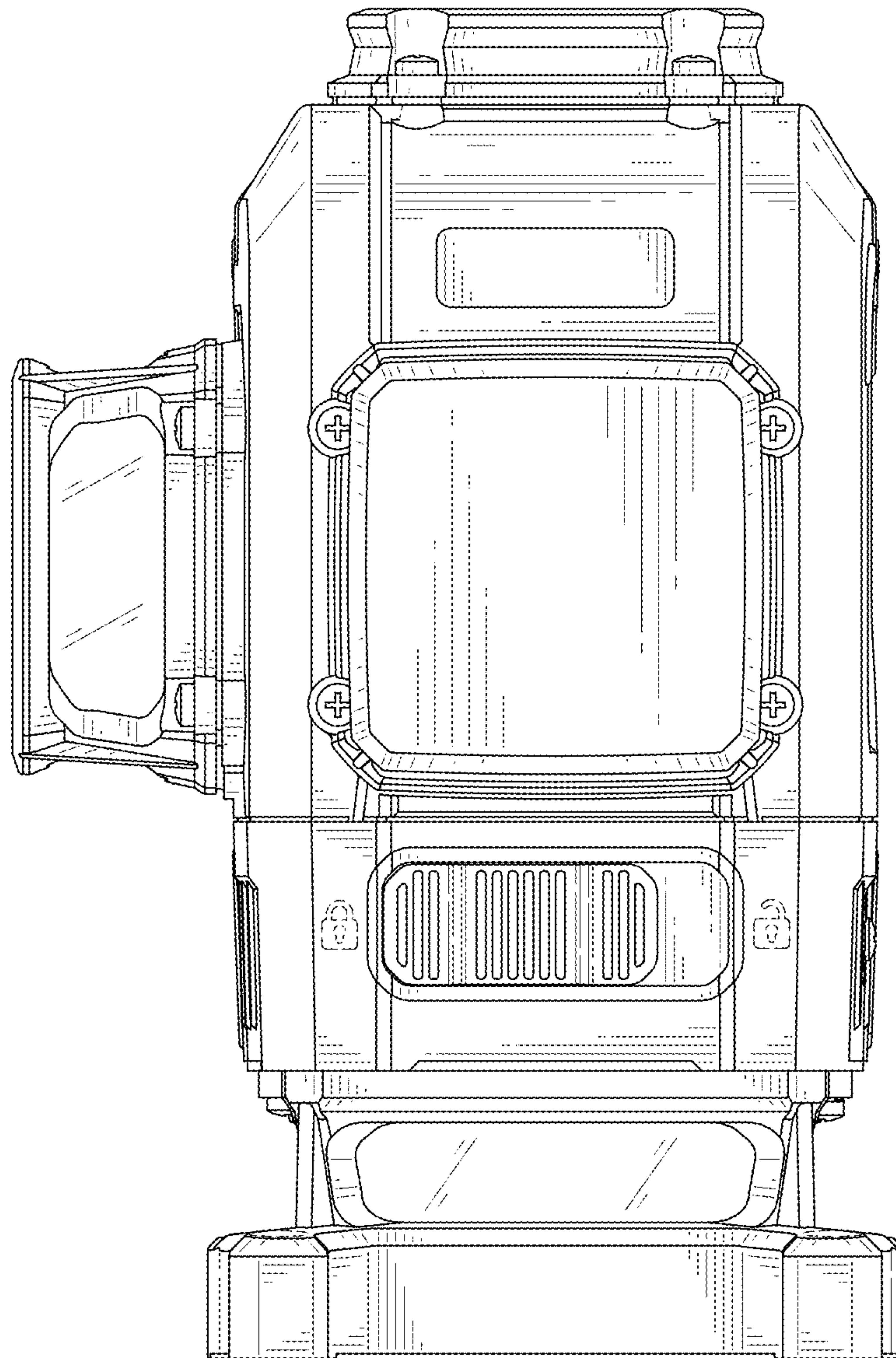


FIG. 4

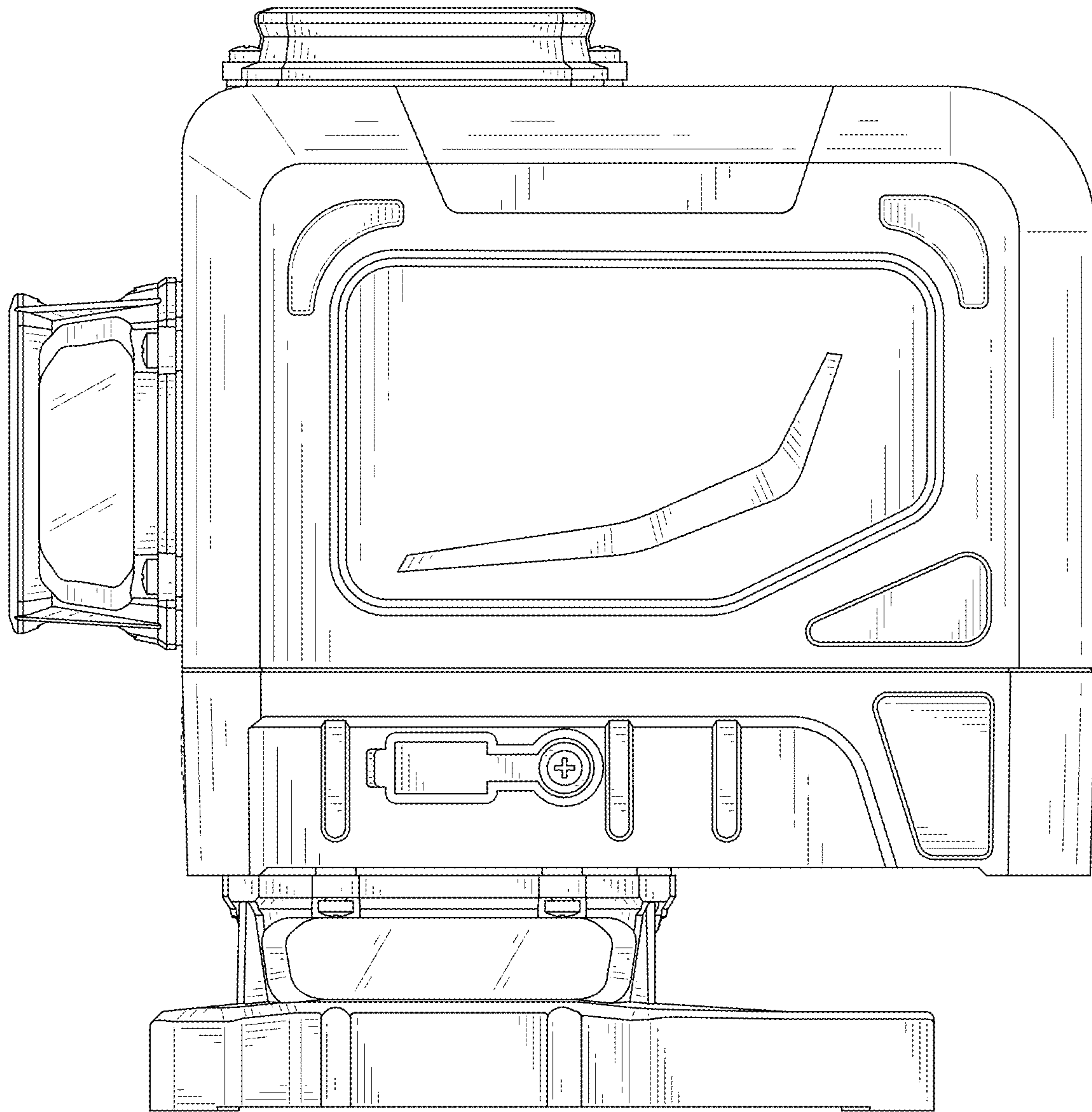


FIG. 5

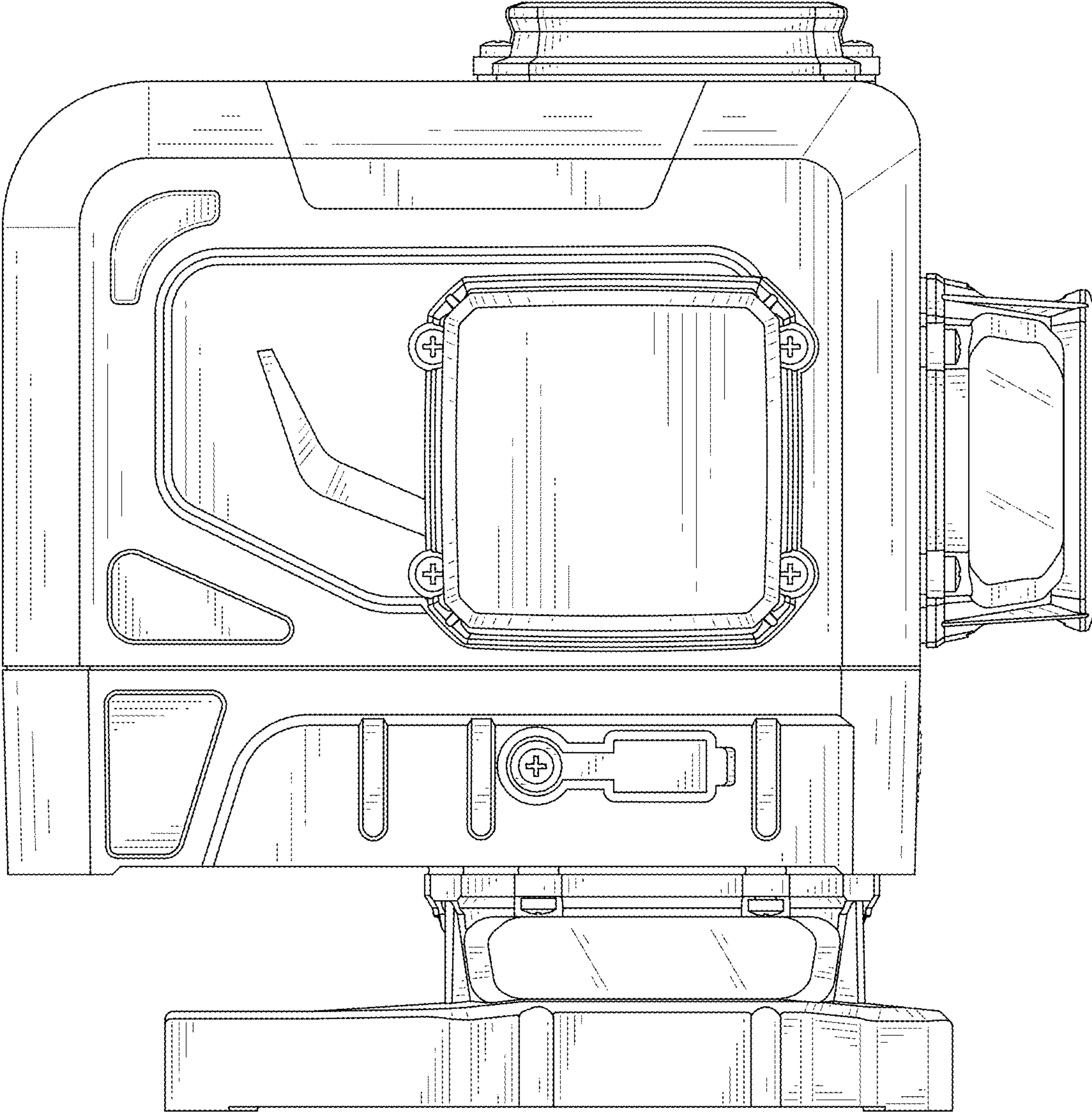


FIG. 6

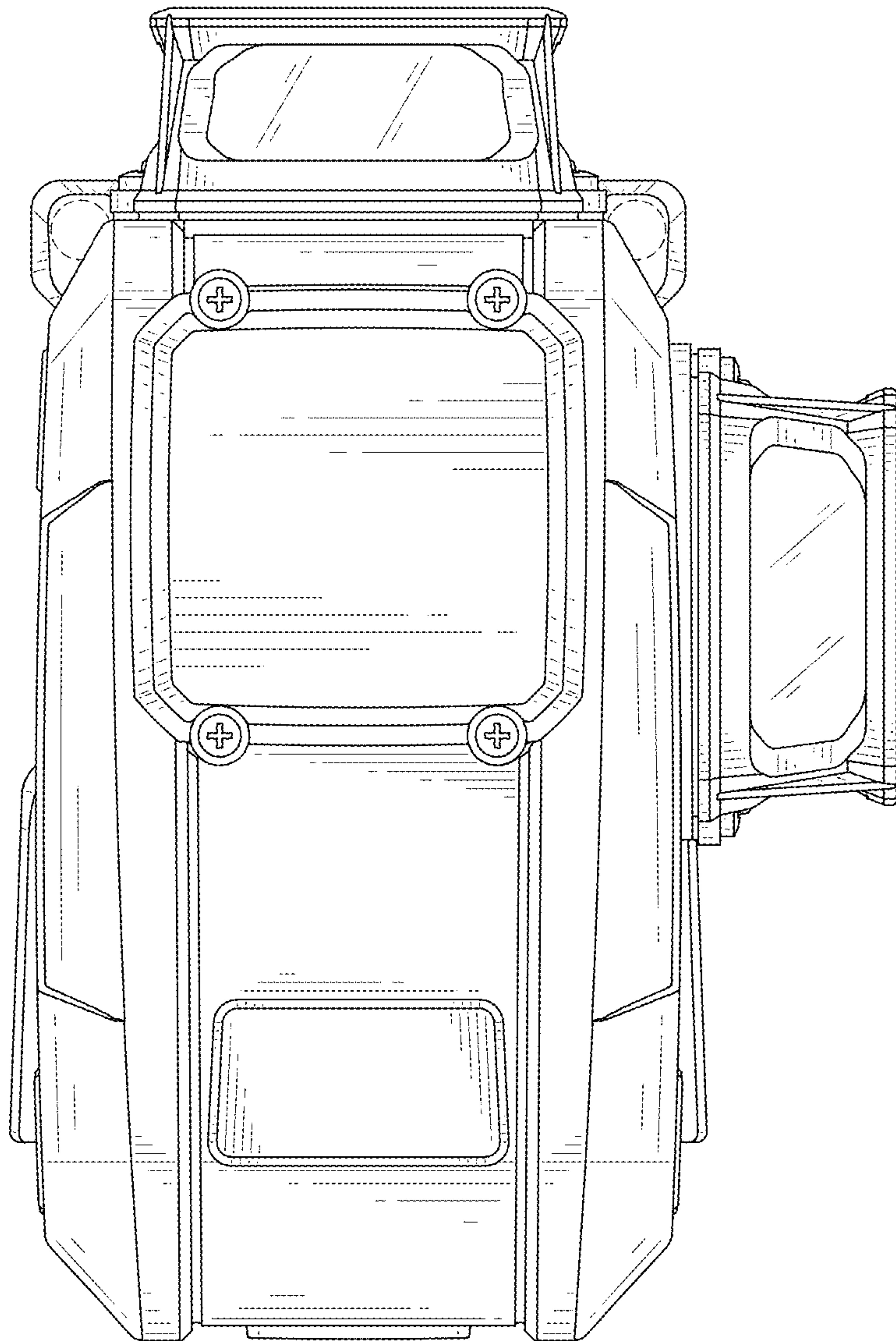


FIG. 7

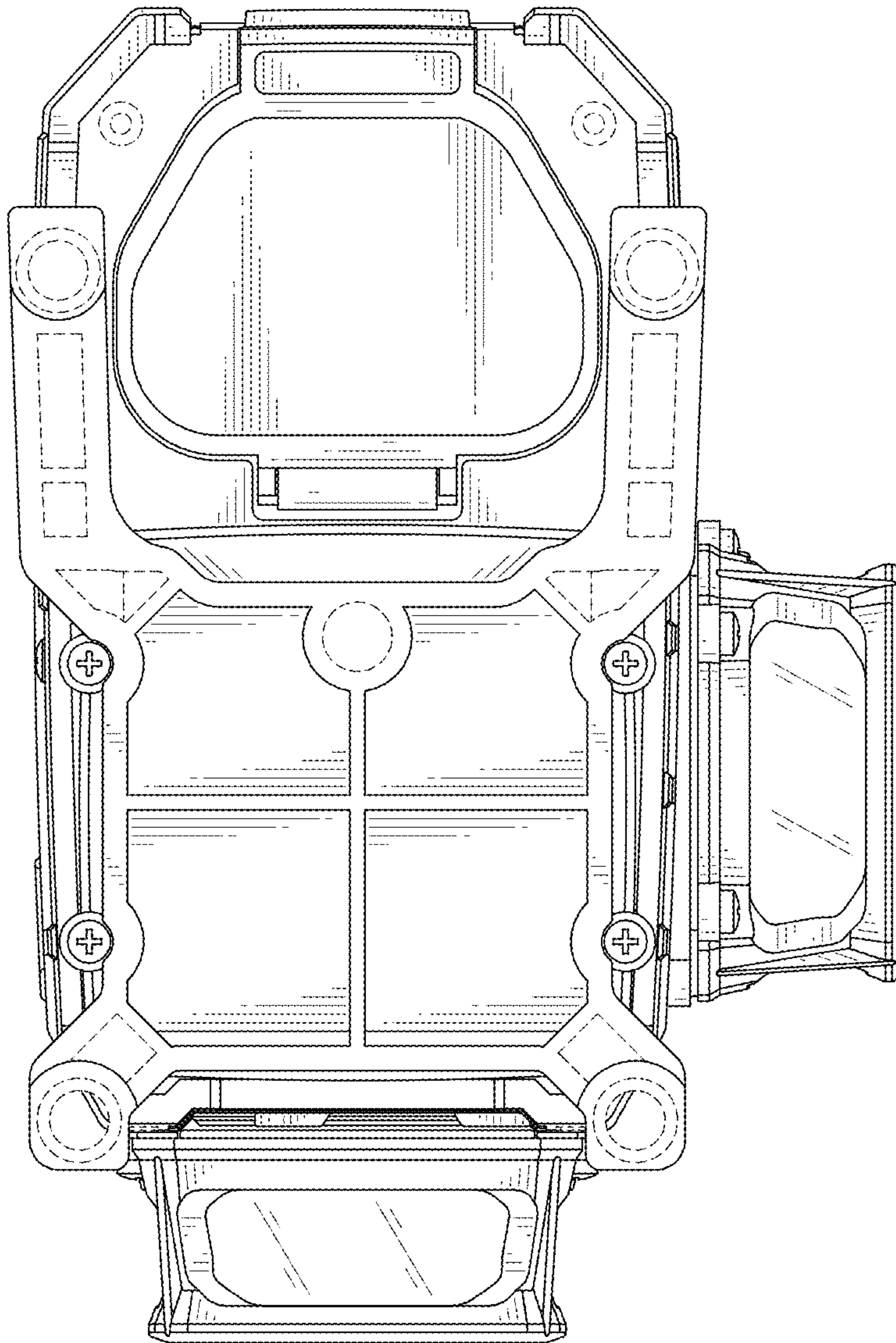


FIG. 8