



US00D942874S

(12) **United States Design Patent**
Li et al.

(10) **Patent No.:** **US D942,874 S**

(45) **Date of Patent:** **** Feb. 8, 2022**

(54) **LASER LEVEL**

(71) Applicant: **Aukey Technology Co., Ltd**, Shenzhen (CN)

(72) Inventors: **Mingkai Li**, Shenzhen (CN); **Huiyue Ze**, Shenzhen (CN)

(73) Assignee: **Aukey Technology Co., Ltd**, Shenzhen (CN)

(**) Term: **15 Years**

(21) Appl. No.: **29/727,657**

(22) Filed: **Mar. 12, 2020**

(51) **LOC (13) Cl.** **10-04**

(52) **U.S. Cl.**
USPC **D10/69**

(58) **Field of Classification Search**
USPC D10/75, 69, 70; D14/125, 497, 203, 498; D16/200, 202, 203, 204, 221
CPC . G01C 9/00; G01C 9/005; G01C 9/02; G01C 9/04; G01C 9/06; G01C 9/08; G01C 9/10; G01C 9/12; G01C 9/14; G01C 9/16; G01C 9/18; G01C 9/20; G01C 9/22; G01C 9/24; G01C 9/26; G01C 9/28; G01C 9/30; G01C 9/32; G01C 9/34; G01C 9/36; G01C 2009/005; G01C 2009/062; G01C 2009/064; G01C 2009/066; G01C 2009/068; G01C 2009/102; G01C 2009/105; G01C 2009/107; G01C 2009/182; G01C 2009/185; G01C 2009/187; G01C 5/00; G01C 15/004; G01C 25/00; G01C 21/20; G01C 15/002; G01C 15/008; G03F 9/70; G03F 9/7049; G03F 9/7076; G03F 9/7046; G03F 7/7085; G03F 9/7088; G01P 3/36; G01B 11/028; G01B 11/272; G01B 11/26; G01B 11/14; G01B 11/002; G01B 11/026; G02B 27/644; G02B 27/64; G02B 27/646; G02B 27/32; G02B 27/648; G02B 6/385; G02B 6/3843; G02B 6/422; G02B 6/4222; G02B

6/4225; G02B 6/4221; G02B 6/4234; C03B 2215/413; F41G 7/2253; F41G 7/2293; G01S 1/703; G01S 1/7038; G01S 1/7034; G01S 1/70;

(Continued)

(56) **References Cited**

U.S. PATENT DOCUMENTS

D470,424 S * 2/2003 Hand D10/69
D538,688 S * 3/2007 Snider D10/69

(Continued)

FOREIGN PATENT DOCUMENTS

EM 007748181-0001 * 3/2020
GB 9007749122-0001 * 3/2020

Primary Examiner — L. A. Grabenstetter

Assistant Examiner — Antoinette Martine Suiter

(74) *Attorney, Agent, or Firm* — Westbridge IP LLC

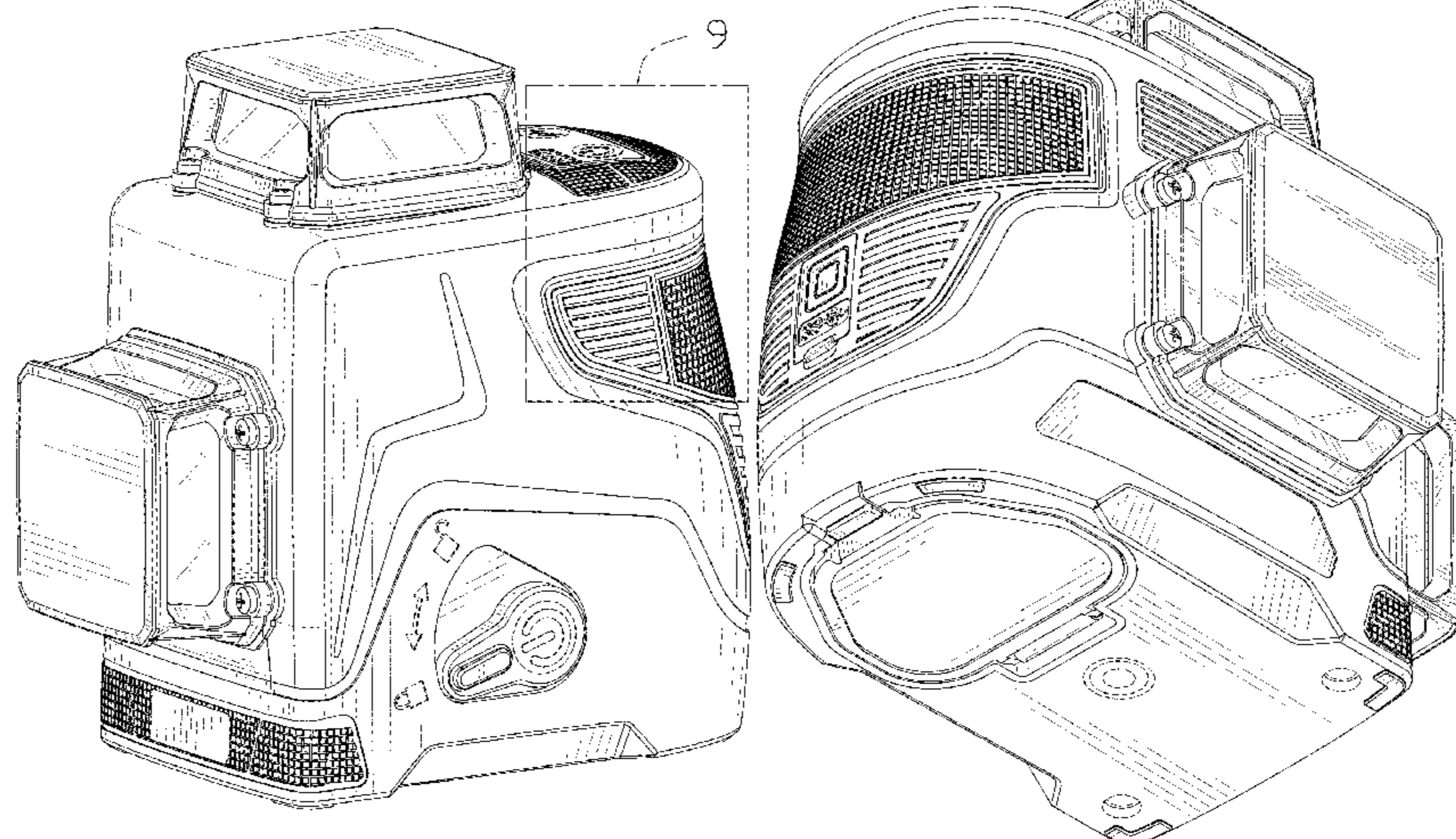
(57) **CLAIM**

The ornamental design for a laser level, as shown and described.

DESCRIPTION

FIG. 1 is a front, right, and top perspective view of a laser level showing our new design;
FIG. 2 is a rear, left, and bottom perspective view thereof;
FIG. 3 is a front elevational view thereof;
FIG. 4 is a rear elevational view thereof;
FIG. 5 is a left side view thereof;
FIG. 6 is a right side view thereof;
FIG. 7 is a top plan view thereof;
FIG. 8 is a bottom plan view thereof; and,
FIG. 9 is an enlarged view of the portion 9 in FIG. 1.
The dash-dash broken lines depict portions of the laser level that form no part of the claimed design.
The dot-dash broken lines delineate enlarged views of the laser level that form no part of the claimed design.

1 Claim, 9 Drawing Sheets



(58) **Field of Classification Search**

CPC G01S 3/789; G01S 2201/03; G01S 3/787;
G01S 1/7032; G01S 1/7036; G01S 17/89;
G01S 17/48; B64G 1/36

See application file for complete search history.

(56) **References Cited**

U.S. PATENT DOCUMENTS

D587,149	S	*	2/2009	Ishii	D10/66
D767,419	S	*	9/2016	Matteo	D10/70
D845,156	S	*	4/2019	Gulunov	D10/69
D852,070	S	*	6/2019	Lu	D10/65
D881,043	S	*	4/2020	Shao	D10/69
D882,427	S	*	4/2020	Shao	D10/69
D917,319	S	*	4/2021	Zheng	D10/70
D923,494	S	*	6/2021	Li	D10/69
D929,248	S	*	8/2021	Li	D10/69
2014/0352161	A1	*	12/2014	Ranieri	G01C 15/004 33/291
2018/0321035	A1	*	11/2018	Yong	G01C 15/004

* cited by examiner

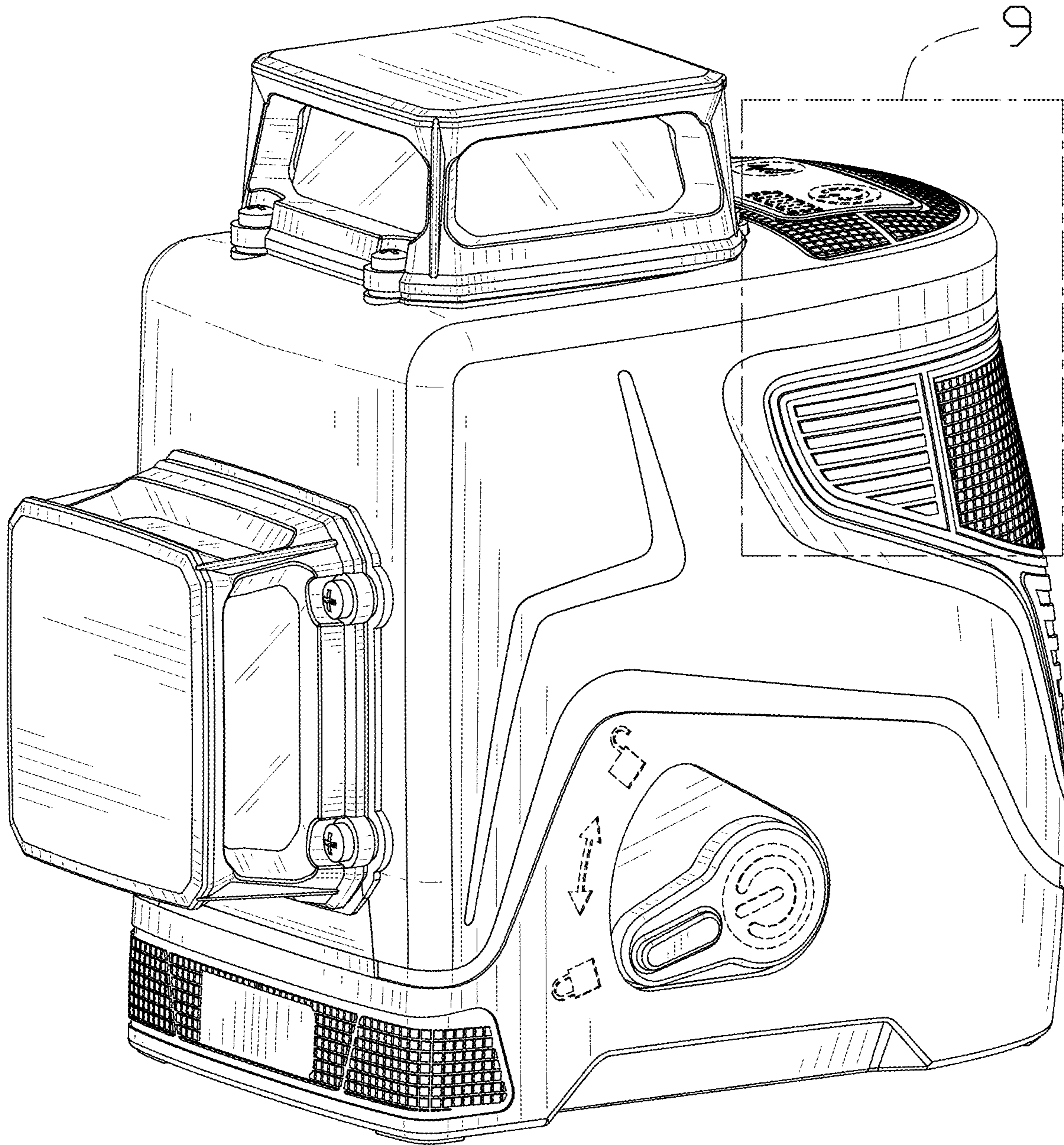


FIG. 1

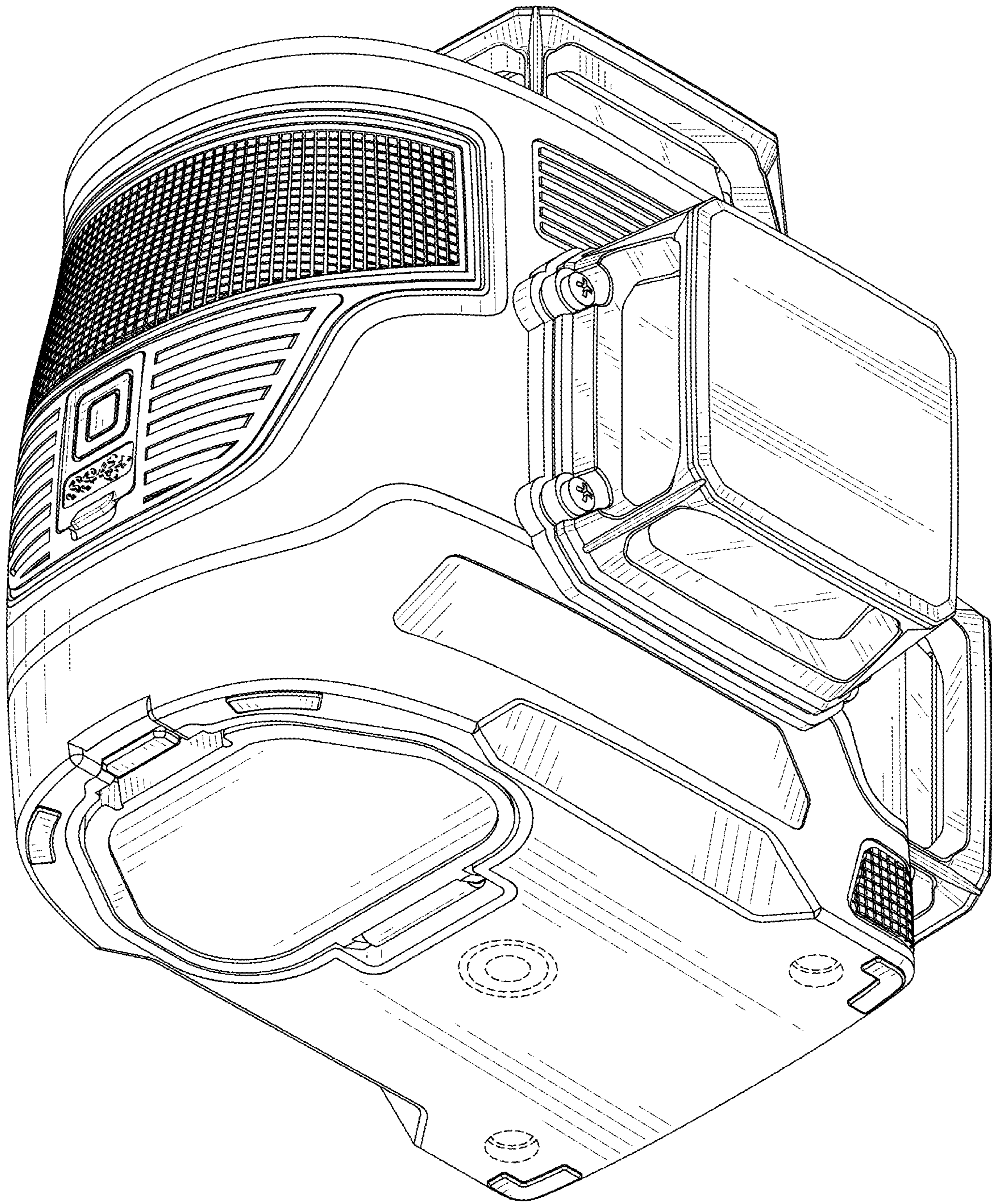


FIG. 2

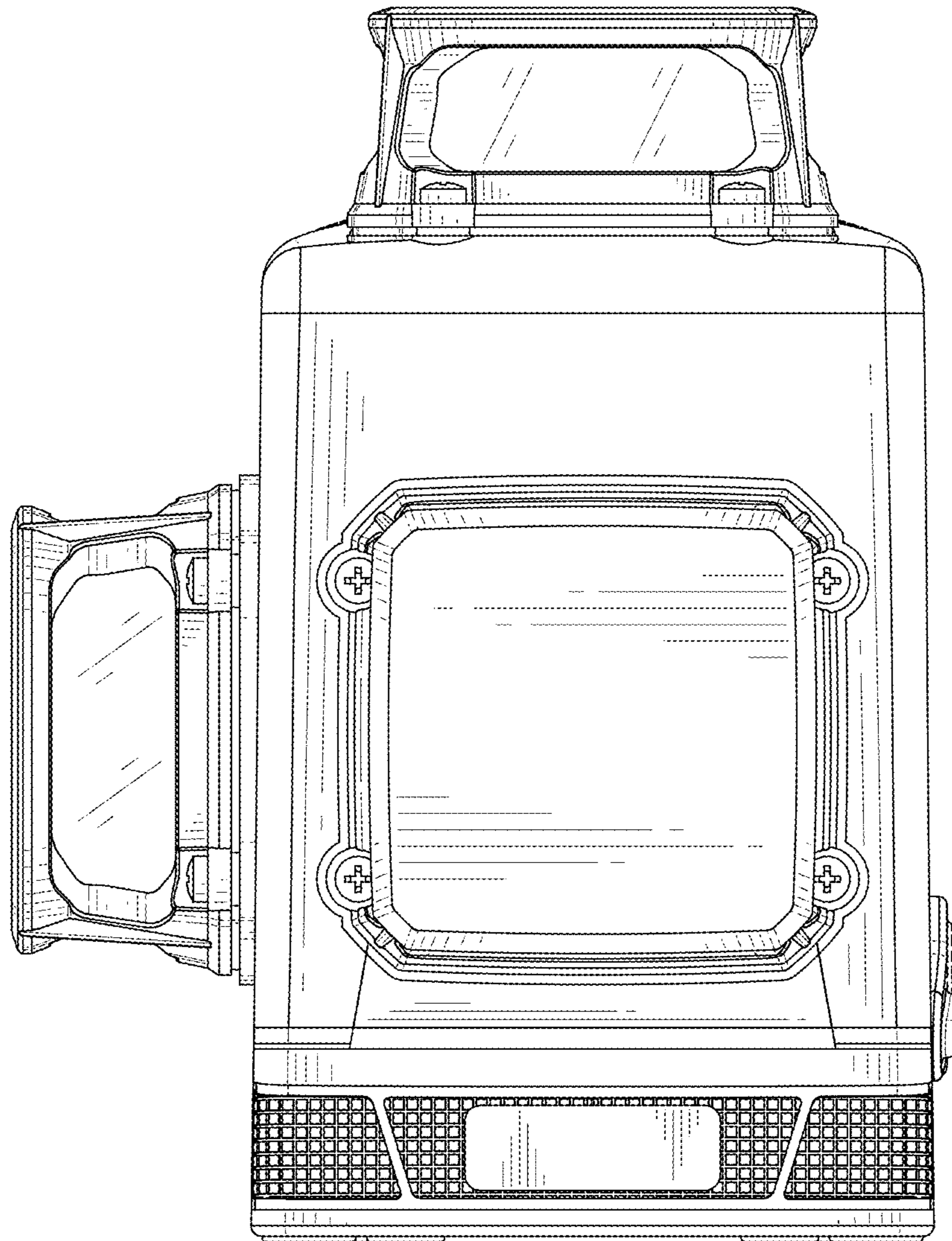


FIG. 3

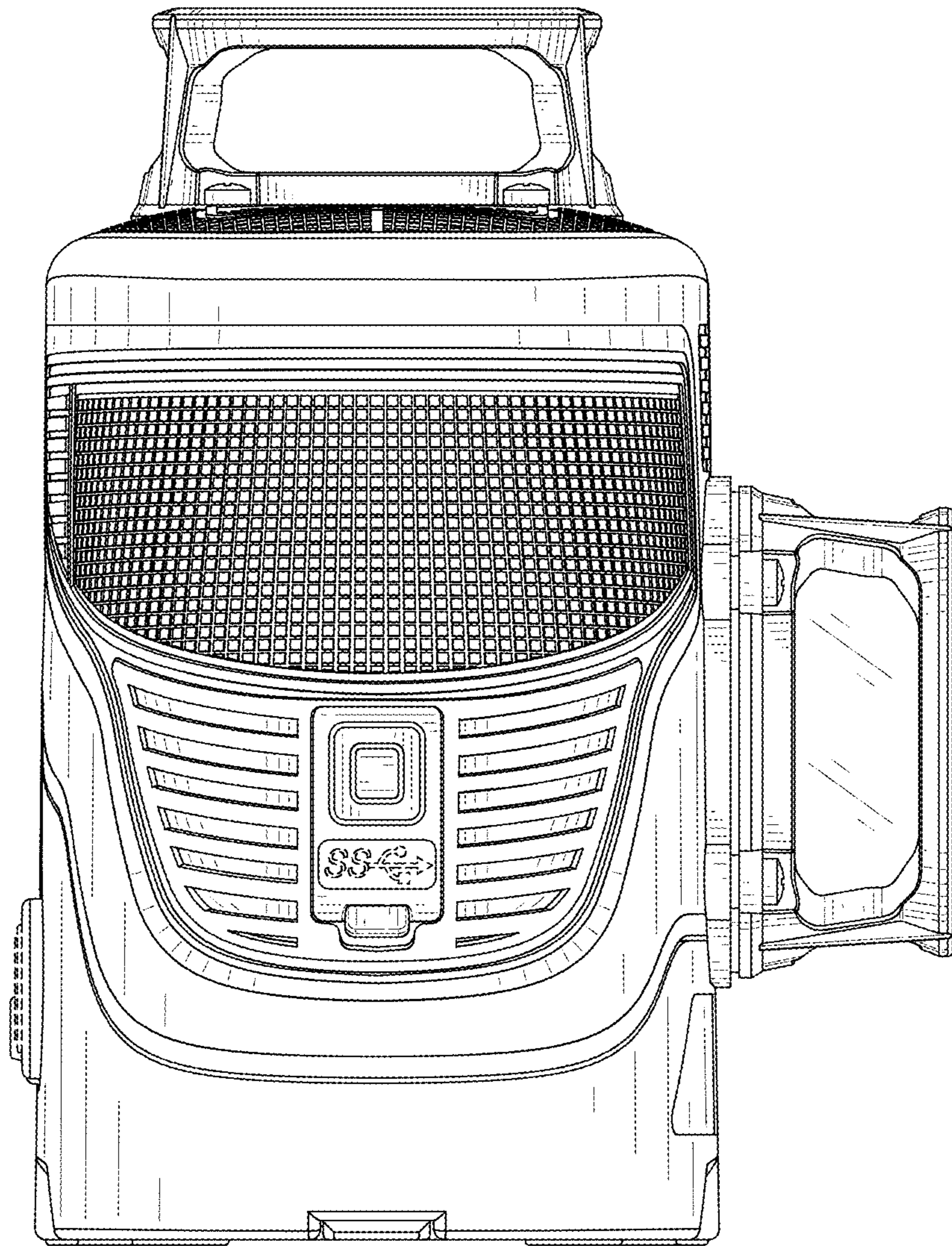


FIG. 4

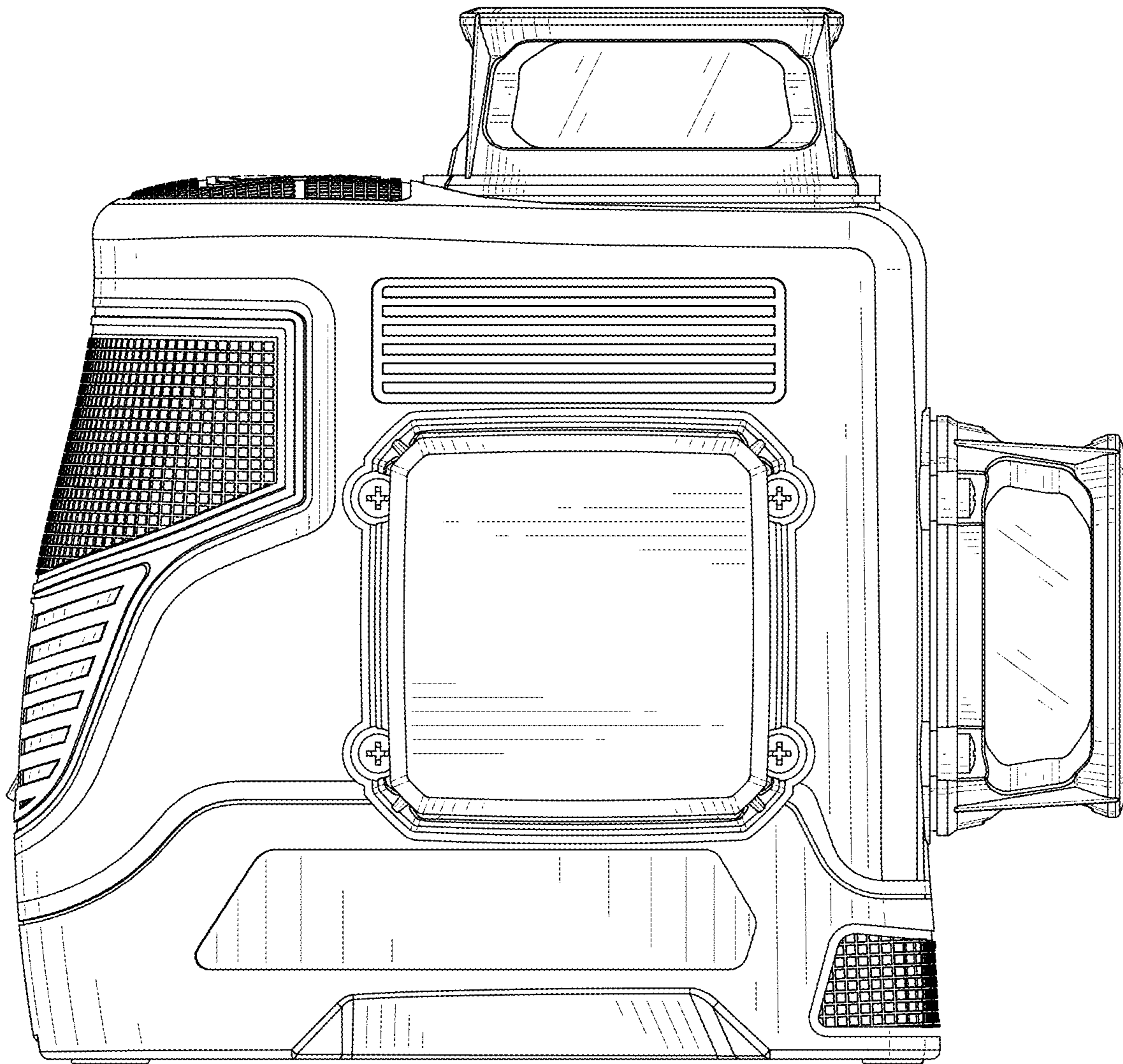


FIG. 5

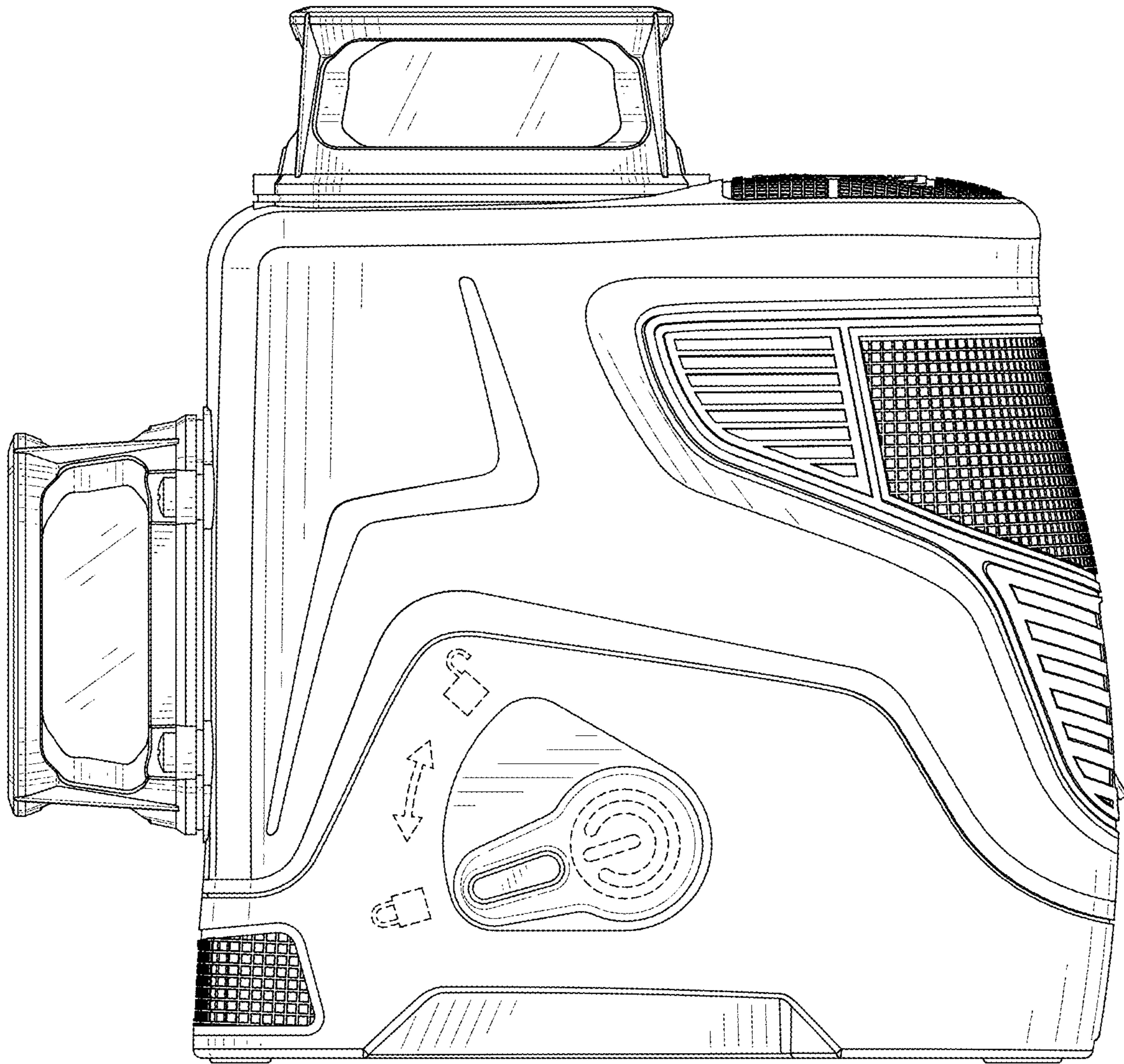


FIG. 6

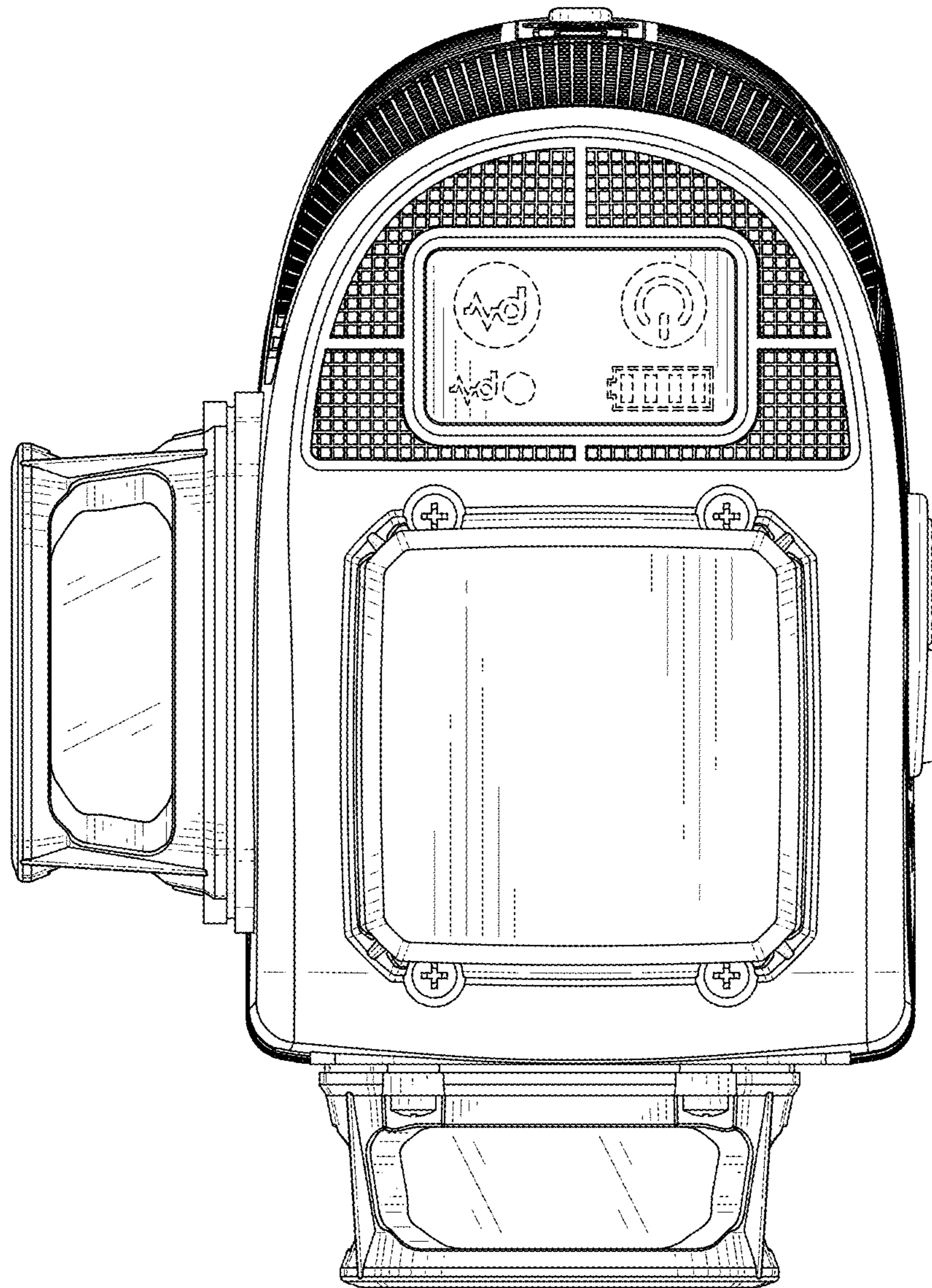


FIG. 7

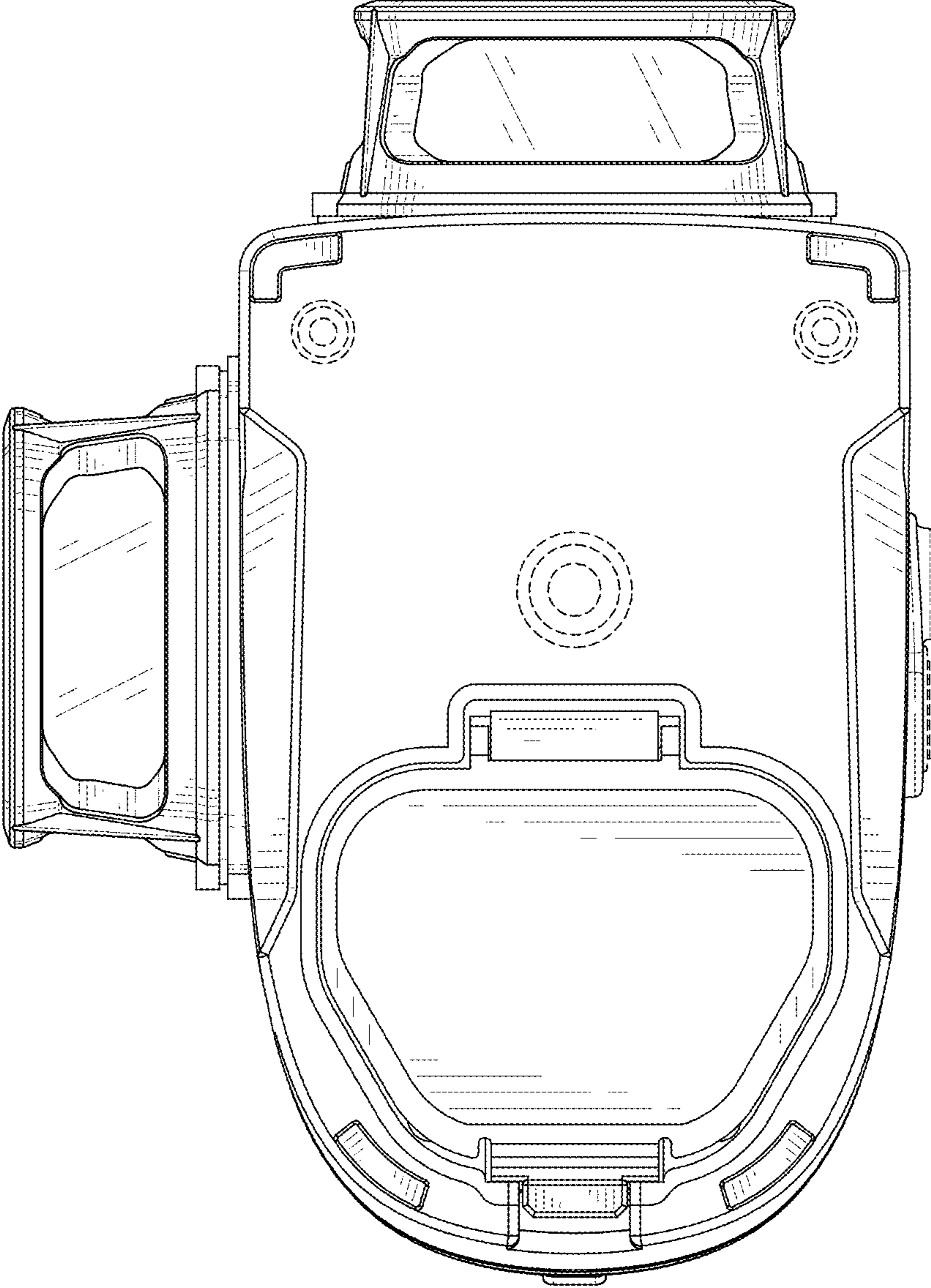


FIG. 8

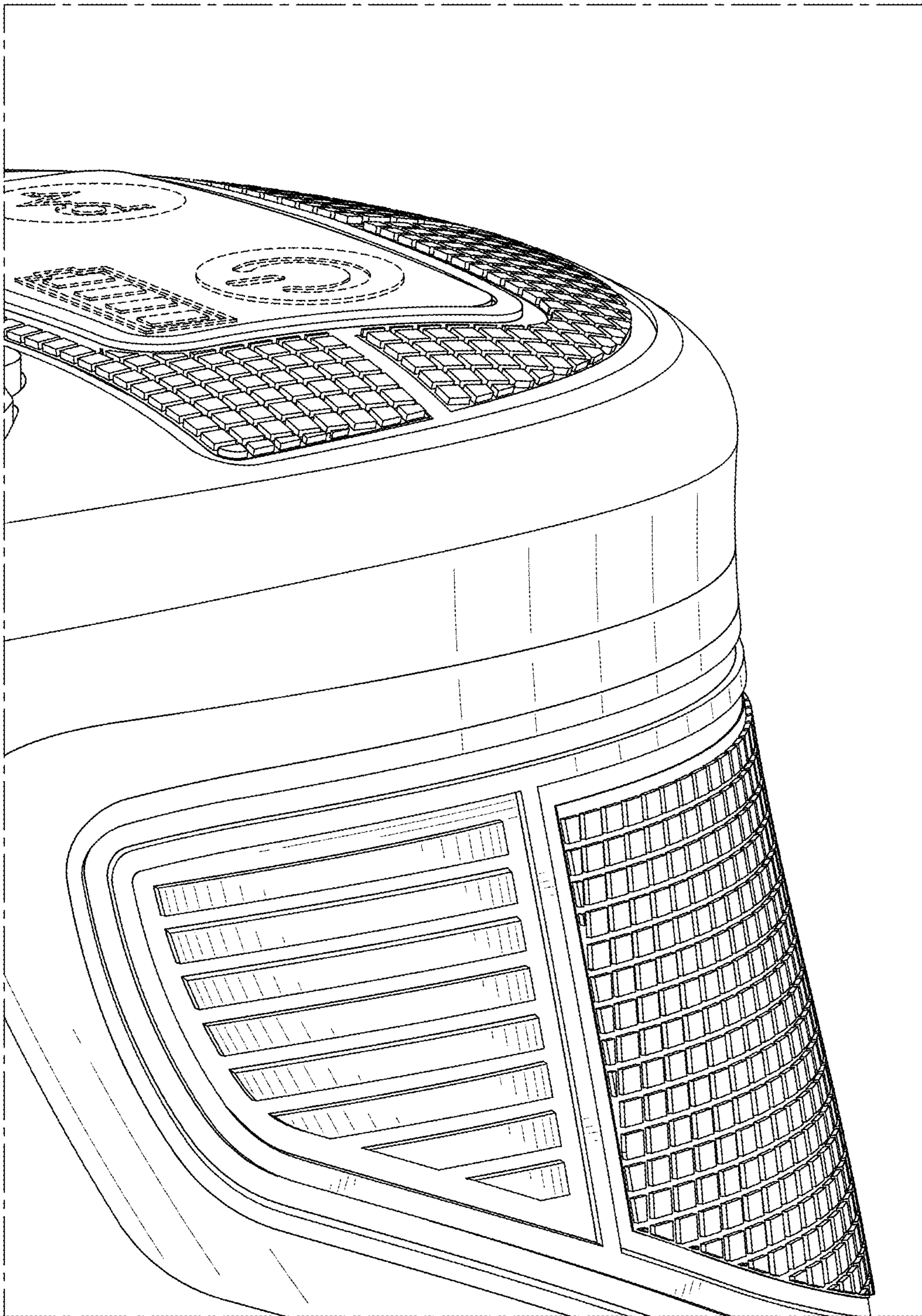


FIG. 9