



US00D942873S

(12) **United States Design Patent**
Yu

(10) **Patent No.:** **US D942,873 S**
(45) **Date of Patent:** **** Feb. 8, 2022**

(54) **BARBECUE THERMOMETER**

(71) Applicant: **FUZHOU ESUN ELECTRONIC CO., LTD**, Fuzhou (CN)

(72) Inventor: **Guo Yu**, Fuzhou (CN)

(73) Assignee: **FUZHOU ESUN ELECTRONIC CO., LTD**, Fuzhou (CN)

(**) Term: **15 Years**

(21) Appl. No.: **29/765,819**

(22) Filed: **Jan. 12, 2021**

(30) **Foreign Application Priority Data**

Dec. 16, 2020 (CN) 202030774795.8

(51) **LOC (13) Cl.** **10-04**

(52) **U.S. Cl.**
USPC **D10/57**

(58) **Field of Classification Search**

USPC D10/46, 49-60, 81; D14/170, 171, 172
CPC .. H04N 5/332; H04N 5/3651; H04N 21/2143;
H04N 21/42221; H04N 21/4516; H04N
21/4343; H04N 21/43637; G01J 5/0265;
G01J 5/021; G01J 5/048; G01J 5/028;
G01J 5/0011; G01K 1/024; G01K
2207/06; G01K 1/00; G01K 1/02; G01K
7/18; G01K 9/00; G01K 1/026; G01K
2207/02; G01K 7/427; G01K 15/00;
G01K 1/086; G01K 2207/00; A61F
2007/0096; A41D 19/0027; A61D 13/00;
G04B 47/068; G04B 47/008; G04B
47/06; A47J 43/288; A61B 5/01; A61B
5/6817; G07C 1/00; H04W 84/12; G06F
3/04847; G05D 23/1902; G05D 23/1917;
F24F 2221/32

See application file for complete search history.

(56) **References Cited**

U.S. PATENT DOCUMENTS

D758,217 S * 6/2016 Kumfer D10/50
D760,398 S * 6/2016 Douglas D24/210

(Continued)

FOREIGN PATENT DOCUMENTS

CN 302503613 * 2/2013
CN 305284995 * 12/2018

(Continued)

OTHER PUBLICATIONS

ThermoPro ,Meat Thermometer Wireless Grill Thermometer, Date first available Sep. 25, 2020,[online]retrieved Jun. 23, 2021, available from https://www.amazon.com/dp/B08K2G5Y78/ref=sspa_dk_detail_2?psc=1&pd_rd_i=B08K2G5Y78p13NParams&spLa=ZW5jc nlwdGVkUXVhbGlmaWVyPUEExSFZaUjJITOUdVOEdWJmVuY3J5cHRIZEIkPUEwO (Year: 2020).*

(Continued)

Primary Examiner — Keli L Hill

Assistant Examiner — Sara S Sahneh

(74) *Attorney, Agent, or Firm* — Westbridge IP LLC

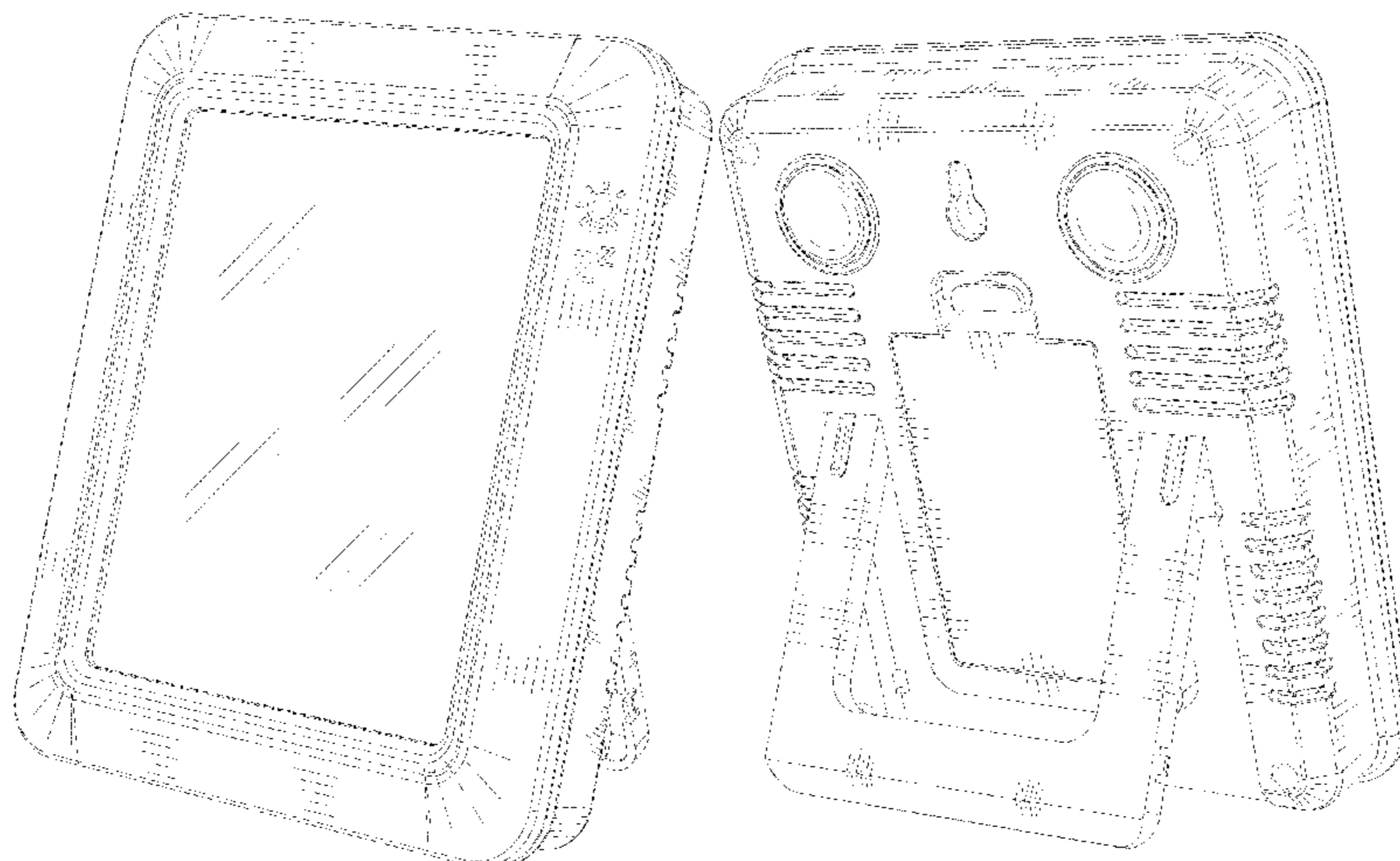
(57) **CLAIM**

The ornamental design for a barbecue thermometer, as shown and described.

DESCRIPTION

FIG. 1 is a front elevational view of a barbecue thermometer showing my new design;
FIG. 2 is a rear elevational view thereof;
FIG. 3 is a left side elevational view thereof;
FIG. 4 is a right side elevational view thereof;
FIG. 5 is a top plan view thereof;
FIG. 6 is a bottom plan view thereof;
FIG. 7 is a reference view showing the state of use; and,
FIG. 8 is another reference view showing the state of use. The broken lines are shown for the purpose of illustrating portions of the barbecue thermometer and form no part of the claimed design.

1 Claim, 8 Drawing Sheets



(56)

References Cited

U.S. PATENT DOCUMENTS

D786,803	S	*	5/2017	Kim	D13/168
D801,288	S	*	10/2017	Kim	D13/168
D802,450	S	*	11/2017	Boynton	D10/50
D844,570	S	*	4/2019	Kornacki	D13/162
D854,429	S	*	7/2019	Gentle	D10/50
D863,990	S	*	10/2019	Hu	D10/52
D864,773	S	*	10/2019	Zhang	D10/81
D881,827	S	*	4/2020	Chouji	D13/168
D885,943	S	*	6/2020	Yu	D10/57
D891,949	S	*	8/2020	Yi	D10/57
D906,275	S	*	12/2020	Zhang	D14/172

FOREIGN PATENT DOCUMENTS

CN	305384686	*	5/2019
EM	003780519-0002	*	3/2017
EM	003780519-0005	*	3/2017
EM	006514576-0001	*	5/2019
EM	008415673-0002	*	1/2021

OTHER PUBLICATIONS

SMARTRO Store, Dual Probe Digital Meat Thermometer, Date first available Aug. 20, 2019, [online]retrieved Jun. 23, 2021,available from https://www.amazon.com/SMARTRO-Digital-Thermometer-Cooking-Commercial-Grade/dp/B07WNV6HPK?ref_=ast_sto_dp (Year: 2019).*

MIGVELA, Meat Thermometer, Date first available Nov. 21, 2017, [online]retrieved Jun. 23, 2021 available from https://www.amazon.com/Digital-Bluetooth-Meat-Thermometer-iPhone/dp/B077N74X59/ref=pd_di_sccai_1/130-4064296-2864548?pd_rd_w=aZ8bh (Year: 2017).*

Chugod, Bluetooth Meat Thermometer, Date first available Jun. 15, 2017, [online]retrieved Jun. 23, 2021, available from https://www.amazon.com/dp/B07FWVWK77/ref=sspa_dk_detail_0?pd_rd_j=B07FWVWK77&pd_rd_w=2dP9X&pf_rd_p=5d846283-ed3e-4512-a744-a30f97c5d738&pd_rd_wg=dscVA&pf_rd_r=SCD4ZGG15XJS19FRGTN3&pd_rd_r=e (Year: 2017).*

* cited by examiner

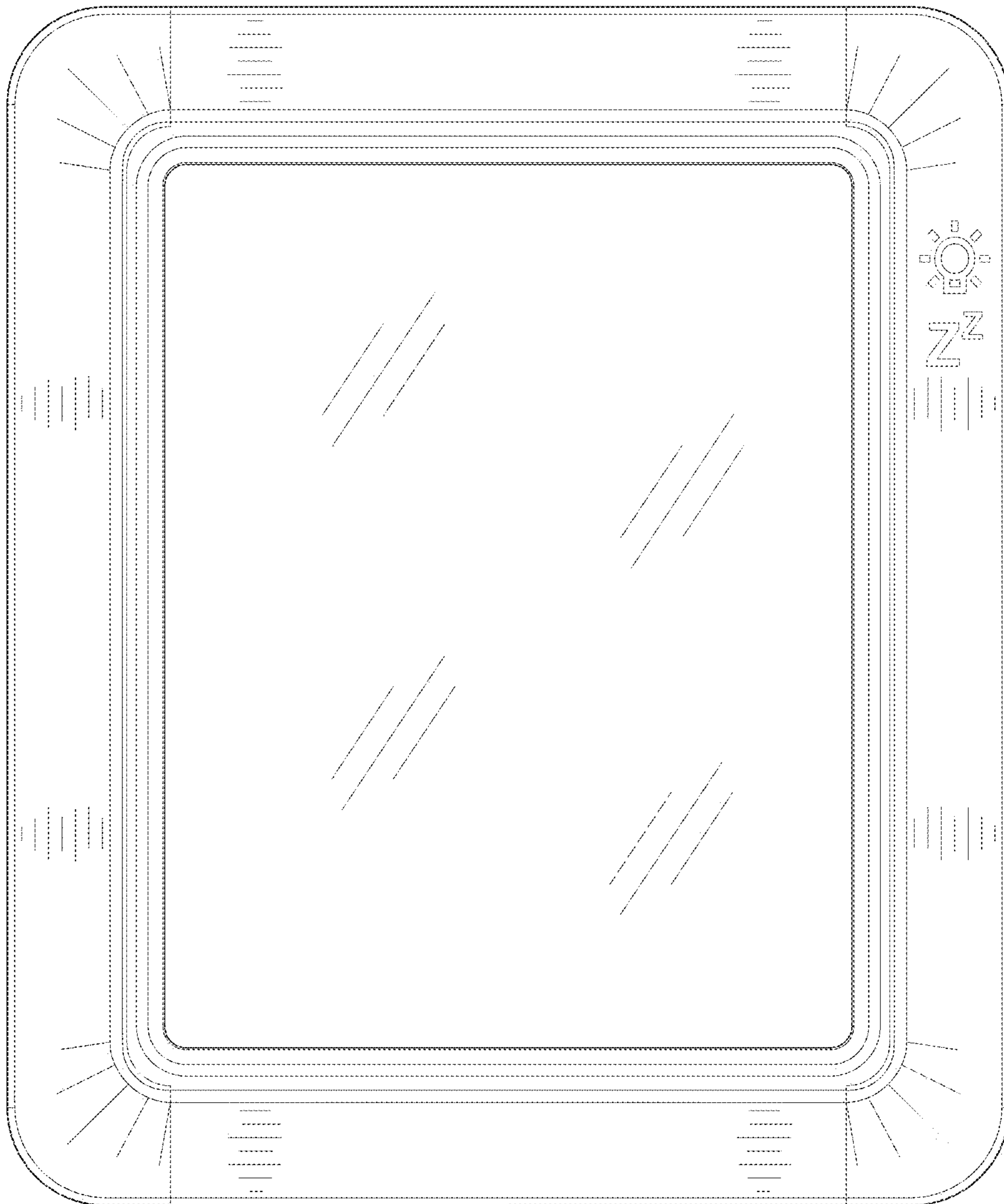


FIG. 1

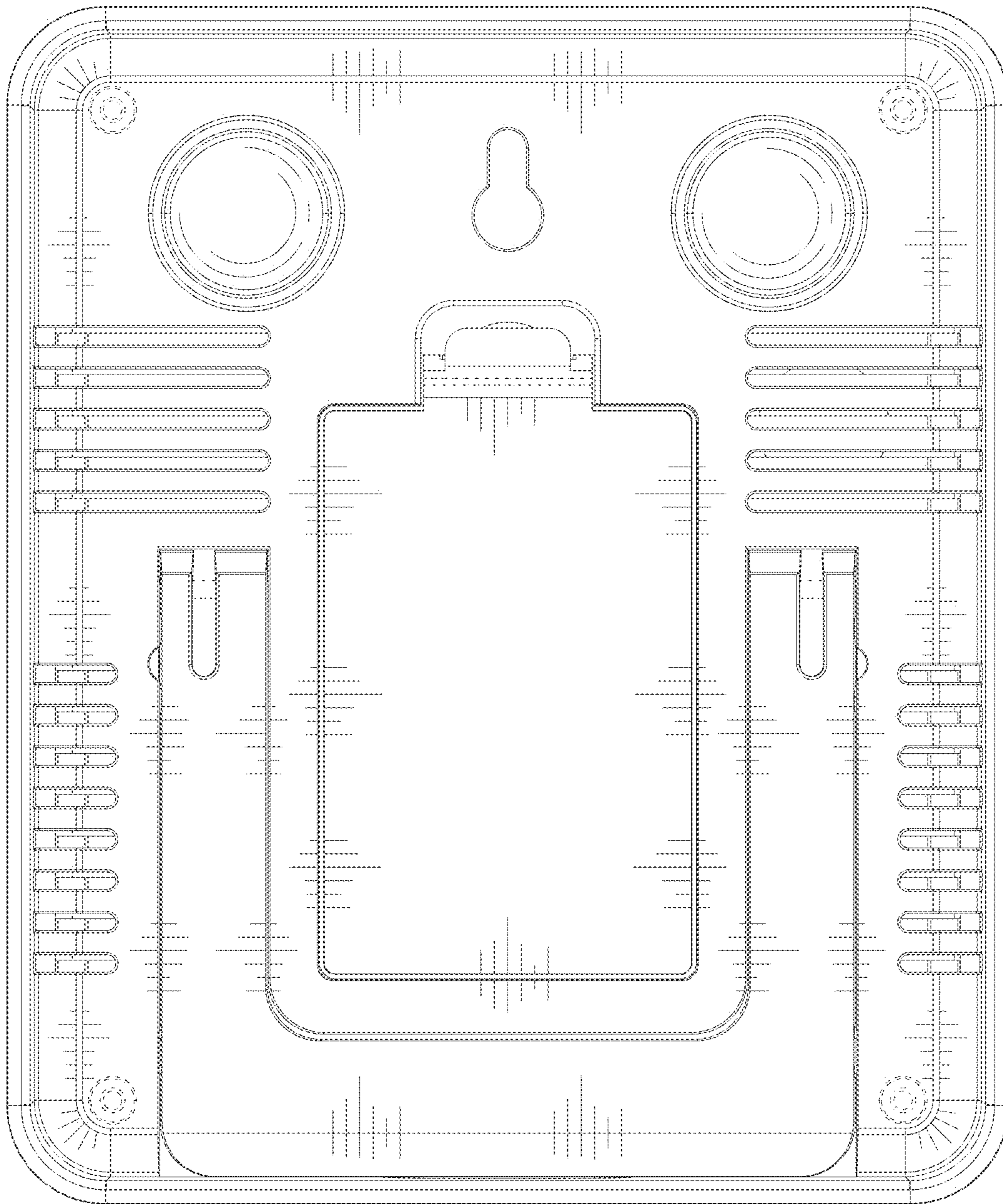


FIG. 2

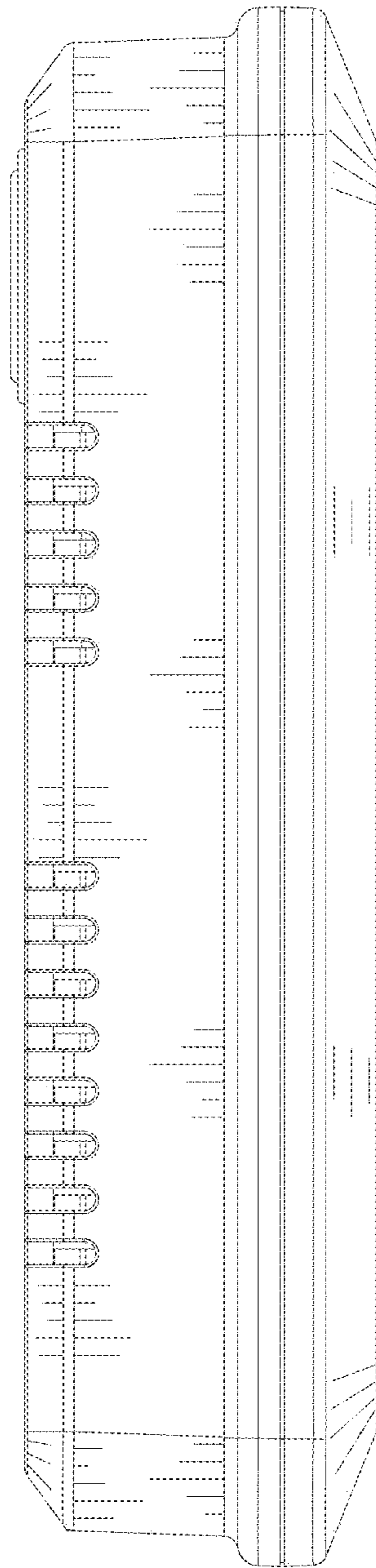


FIG. 3

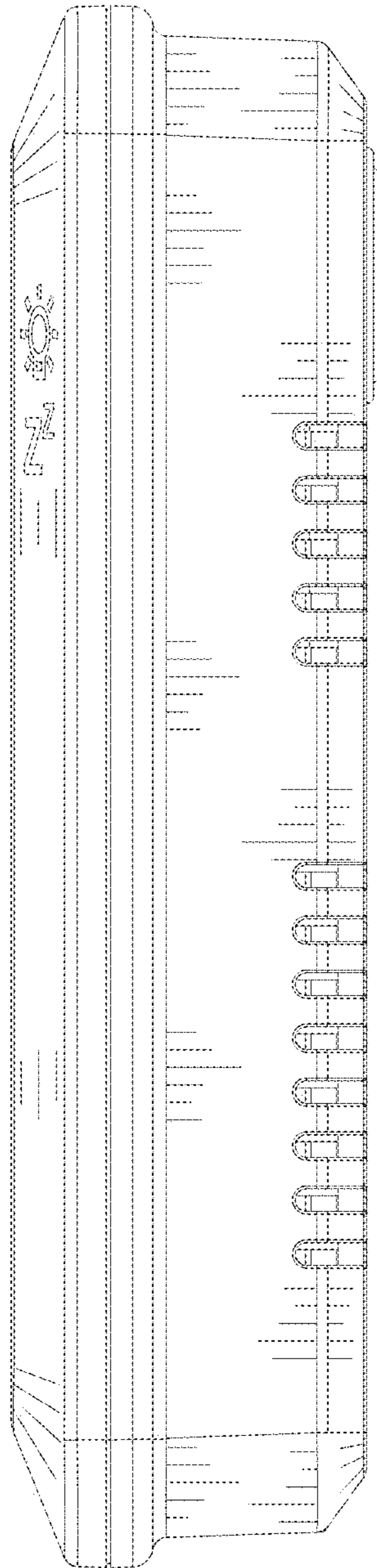


FIG. 4

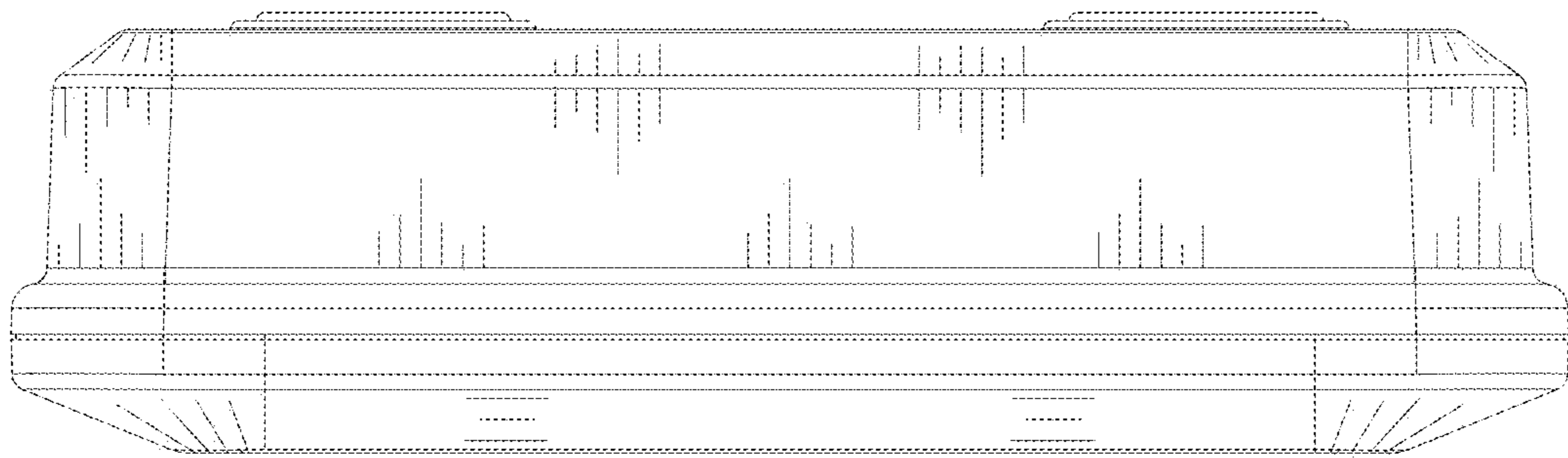


FIG. 5

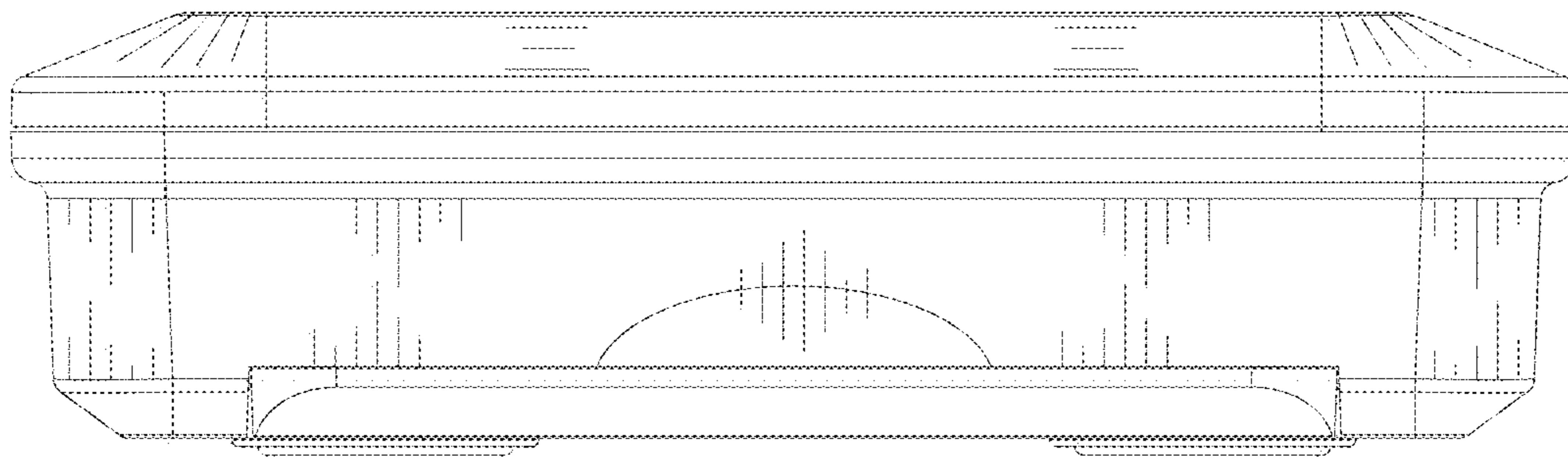


FIG. 6

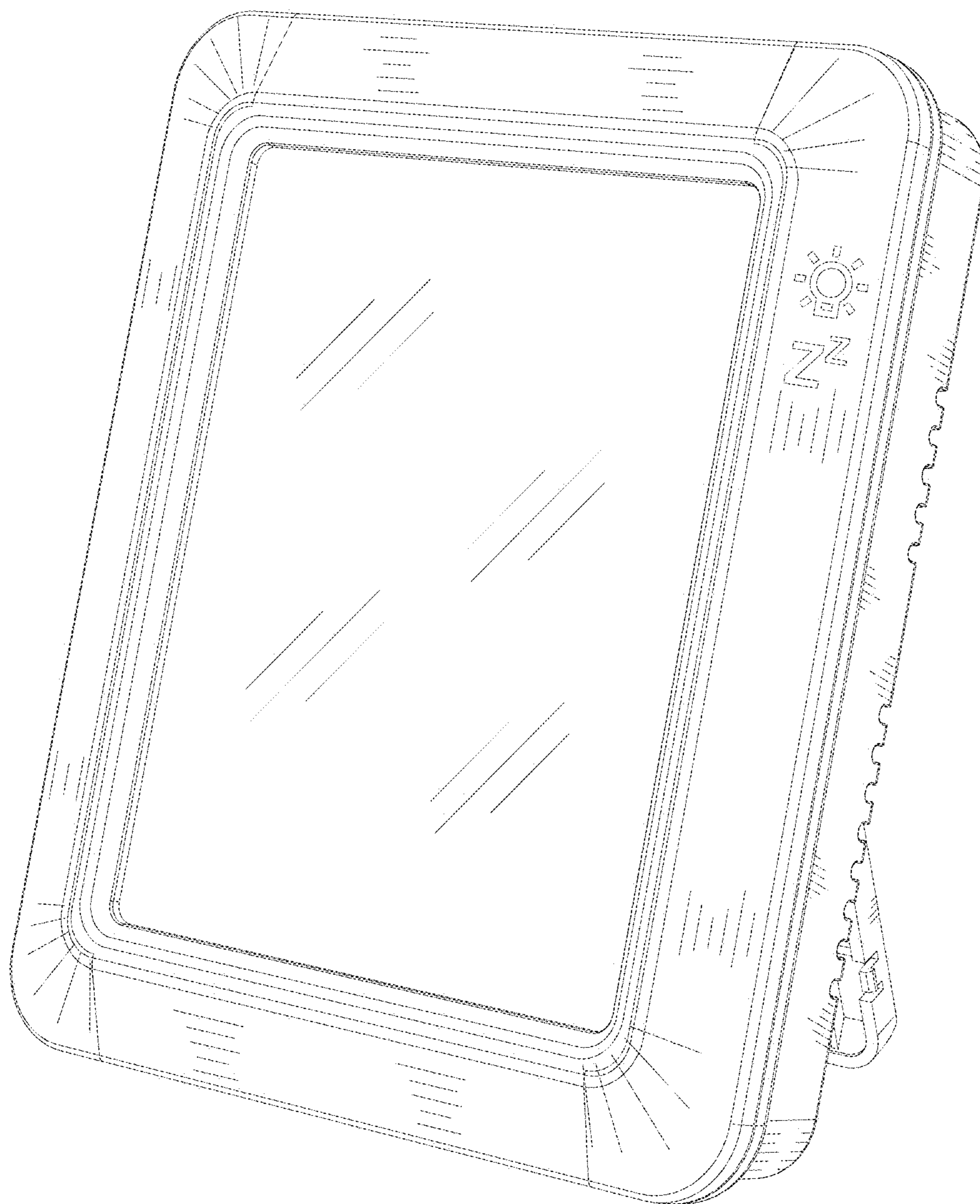


FIG. 7

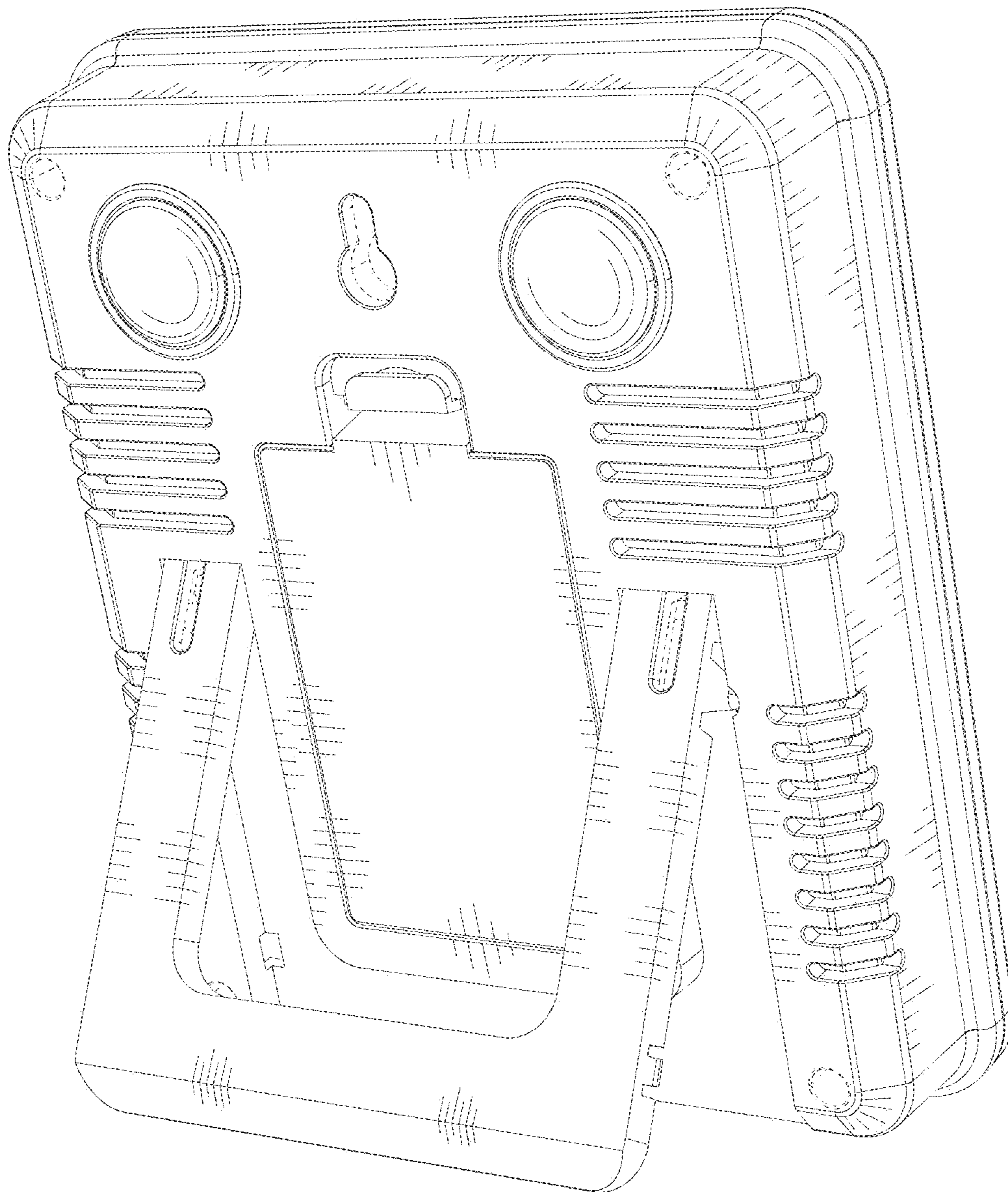


FIG. 8