



US00D942864S

(12) **United States Design Patent** (10) **Patent No.:** **US D942,864 S**  
**Hu** (45) **Date of Patent:** **\*\* Feb. 8, 2022**

(54) **BOTTLE FOR COSMETIC LIQUID**

(71) Applicant: **Haohua Hu**, Shenzhen (CN)

(72) Inventor: **Haohua Hu**, Shenzhen (CN)

(\*\*) Term: **15 Years**

(21) Appl. No.: **29/771,922**

(22) Filed: **Feb. 25, 2021**

(51) **LOC (13) Cl.** ..... **09-01**

(52) **U.S. Cl.**  
USPC ..... **D9/552; D9/453; D9/454; D9/558;**  
**D9/571**

(58) **Field of Classification Search**  
USPC ..... **D9/434-436, 454, 500, 503-503, 516,**  
**D9/520, 530, 537-539, 542-543, 549,**  
**D9/552, 558-559, 574, 715, 719; D28/7,**  
**D28/73, 76**  
CPC ..... **B65D 1/00; B65D 1/02; B65D 1/0215;**  
**B65D 1/0223; B65D 2501/00; B65D**  
**2501/0009**

See application file for complete search history.

(56) **References Cited**

**U.S. PATENT DOCUMENTS**

D484,058 S \* 12/2003 Lerolle ..... D28/76  
D491,691 S \* 6/2004 Braaten ..... D28/76

D533,309 S \* 12/2006 Nobuto ..... D28/76  
D705,993 S \* 5/2014 Goswell ..... D28/76  
D746,141 S 12/2015 Watabe  
D758,866 S 6/2016 Tsai  
D910,926 S \* 2/2021 David ..... D28/77  
D930,250 S \* 9/2021 Star ..... D28/76

\* cited by examiner

*Primary Examiner* — Dana Meyrow

(74) *Attorney, Agent, or Firm* — W&KIP

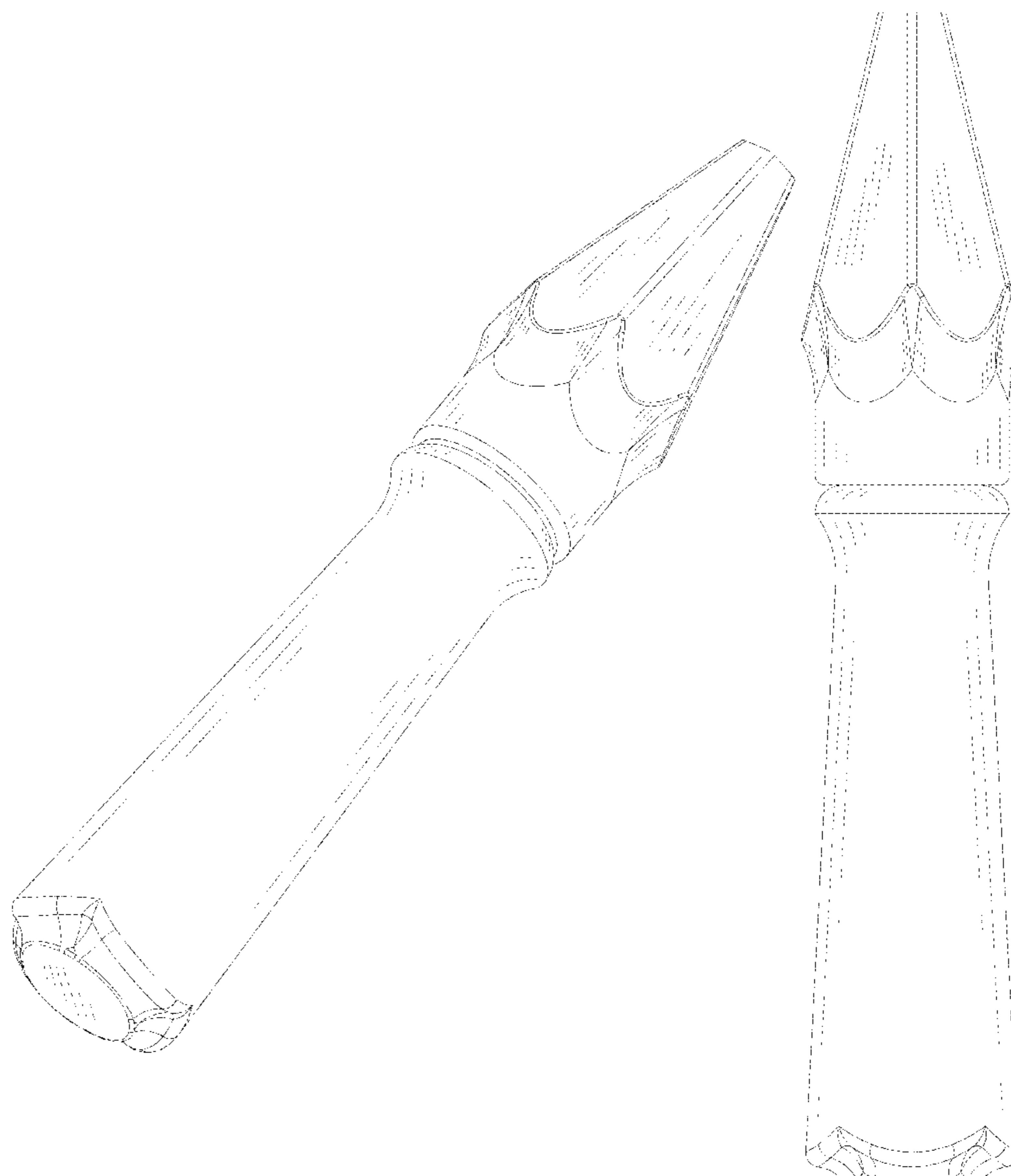
(57) **CLAIM**

The ornamental design for a bottle for cosmetic liquid, as shown and described.

**DESCRIPTION**

FIG. 1 is a perspective view of a bottle for cosmetic liquid showing my new design;  
FIG. 2 is a front view thereof;  
FIG. 3 is a rear view thereof;  
FIG. 4 is a left side view thereof;  
FIG. 5 is a right side view thereof;  
FIG. 6 is a top plan view thereof; and,  
FIG. 7 is a bottom plan view thereof.  
The broken lines where present illustrate portions of the bottle for cosmetic liquid that form no part of the claimed design.

**1 Claim, 7 Drawing Sheets**



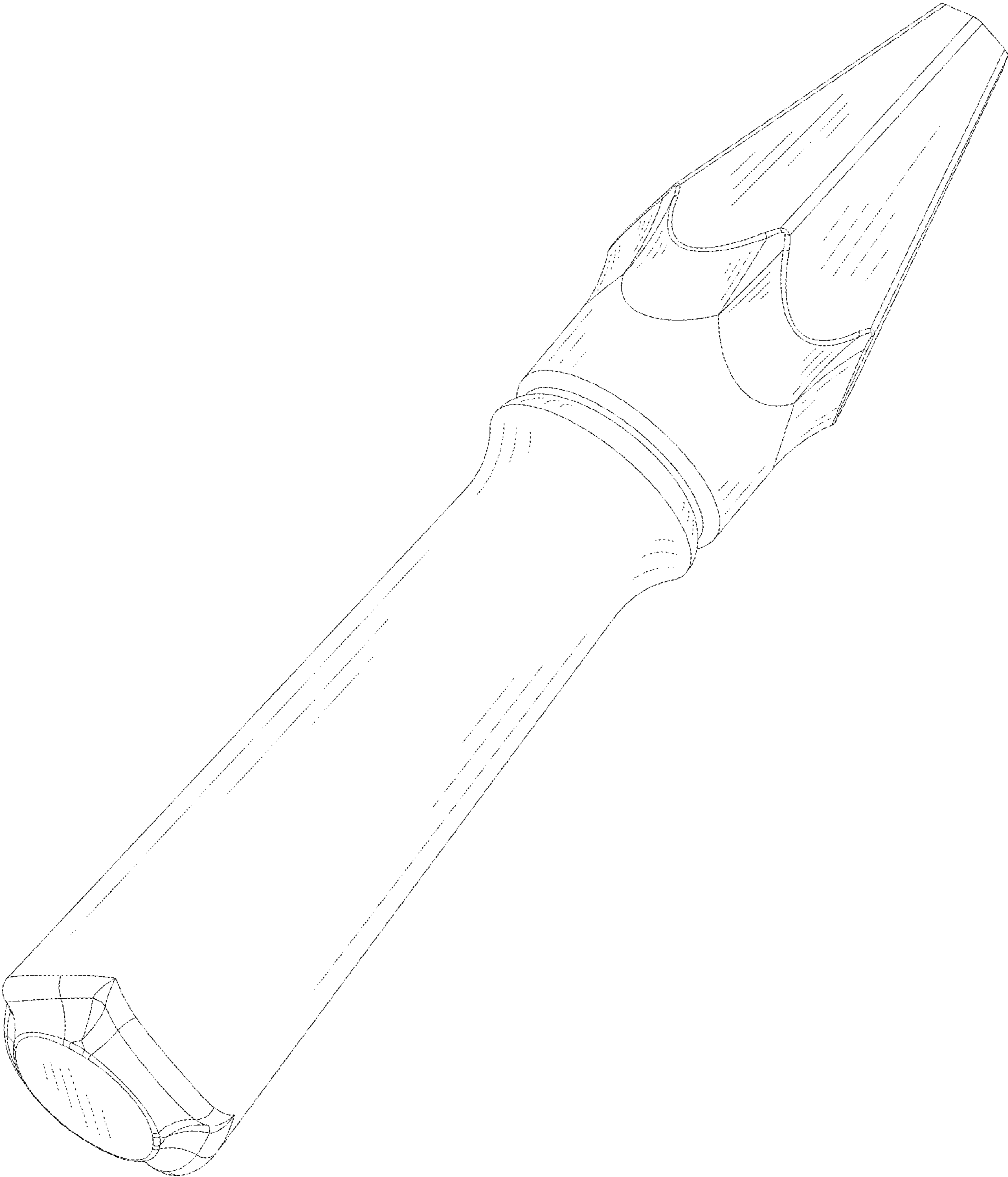


FIG.1

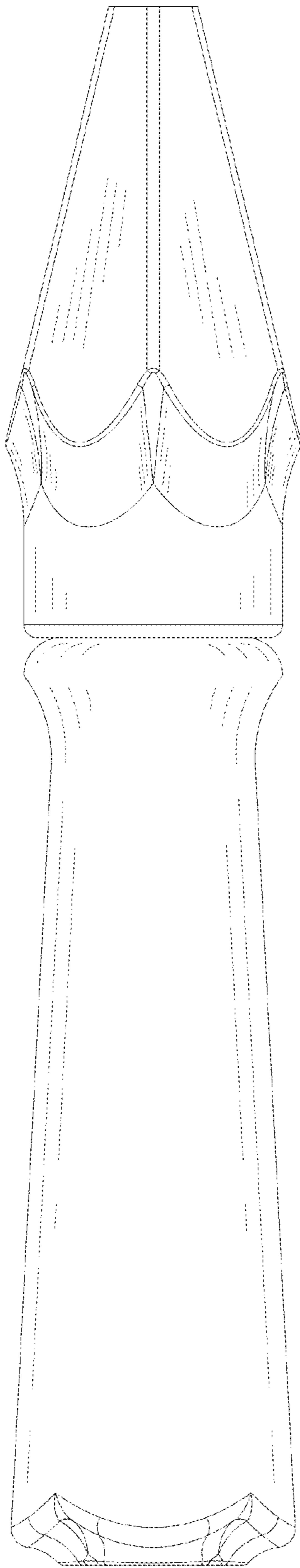


FIG.2

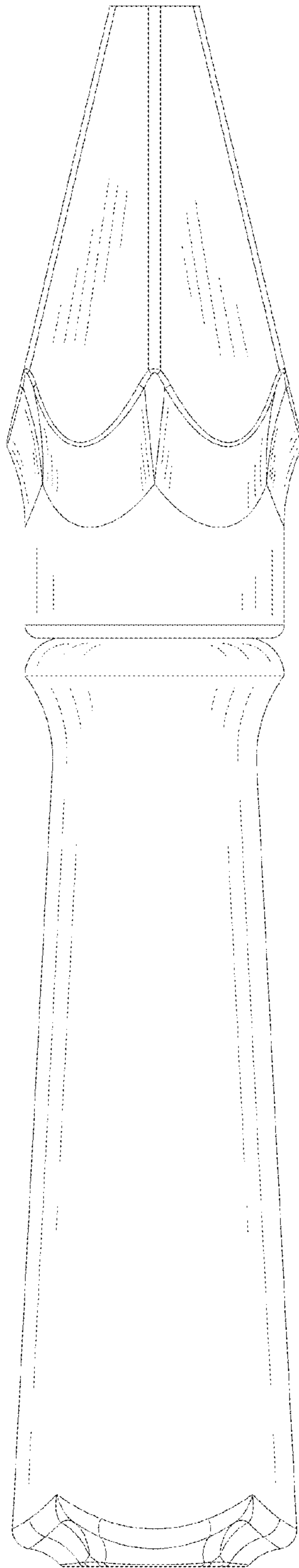


FIG.3

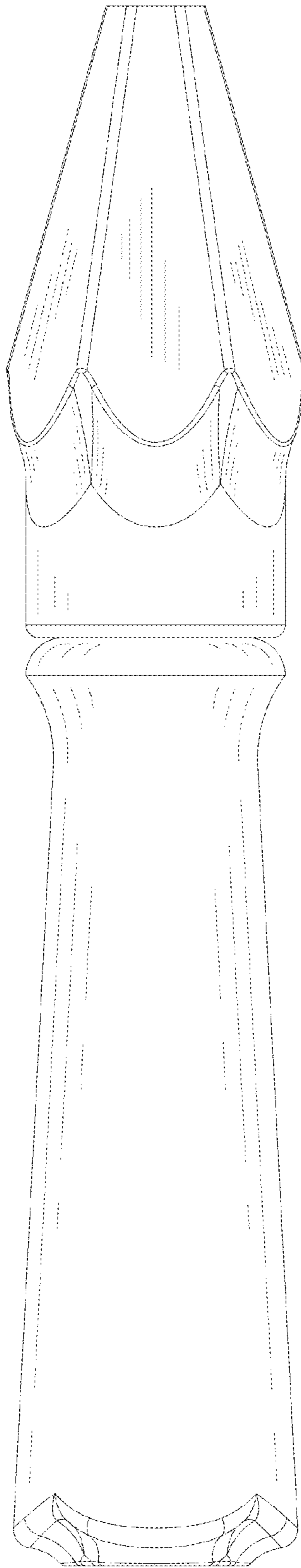


FIG. 4

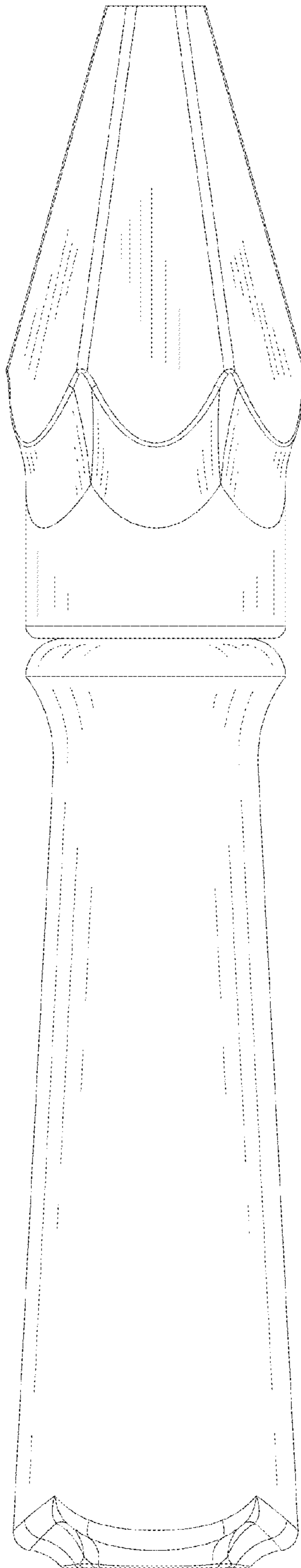


FIG. 5

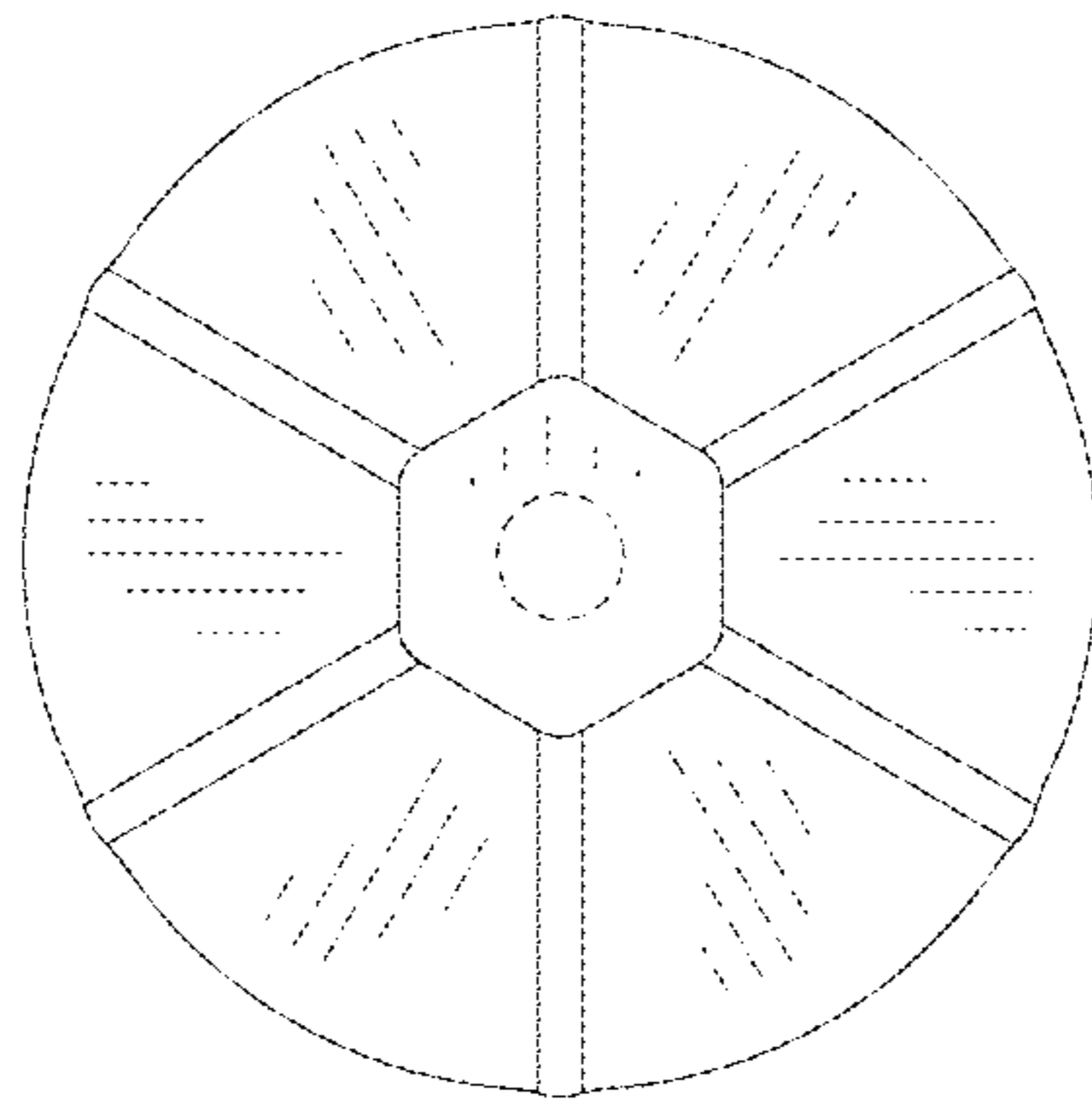


FIG. 6

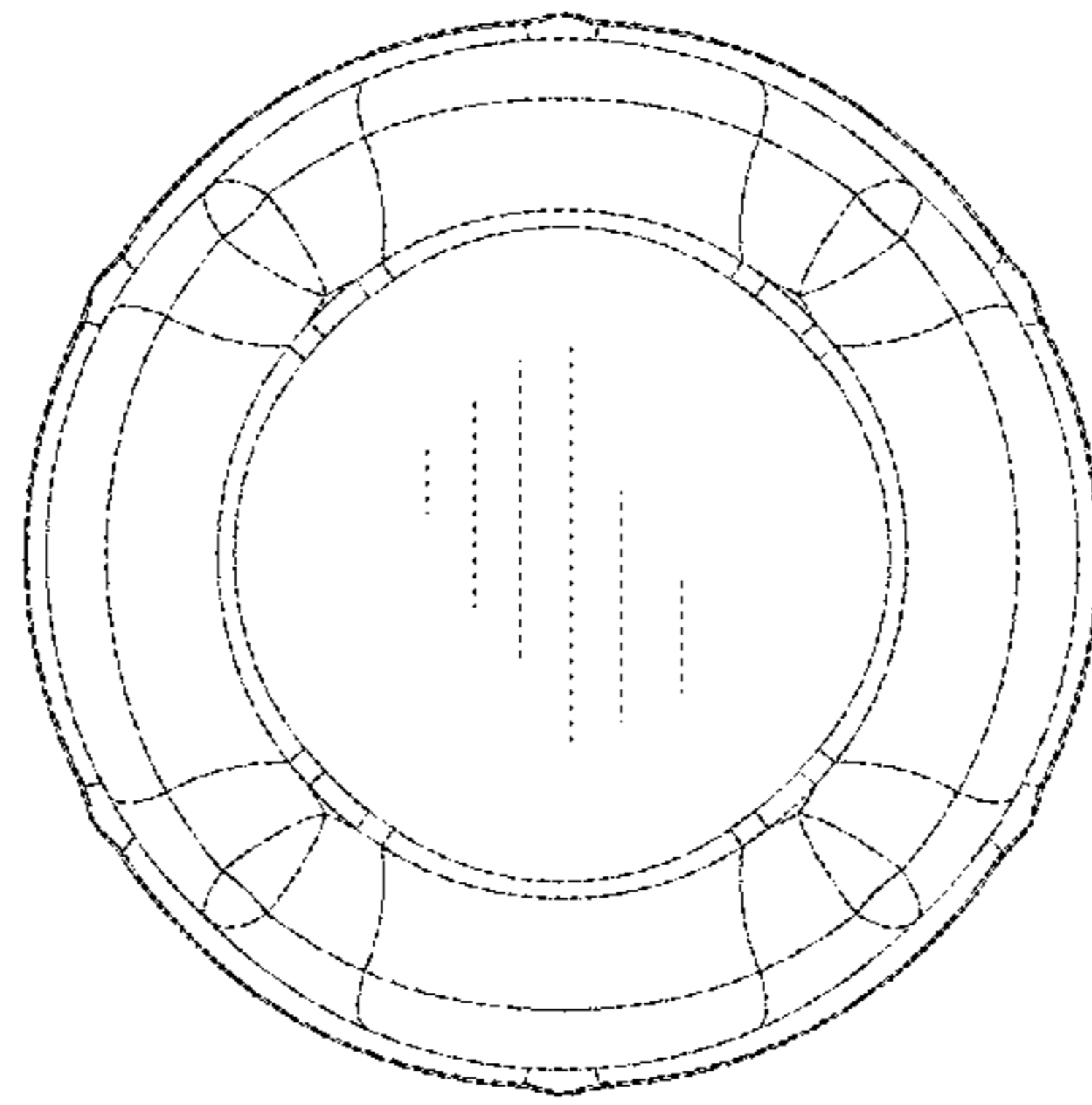


FIG. 7