

US00D942862S

(12) **United States Design Patent** (10) **Patent No.:** **US D942,862 S**
Gedanke et al. (45) **Date of Patent:** **** Feb. 8, 2022**

(54) **BOTTLE**
(71) Applicant: **Church & Dwight Co., Inc.**, Princeton, NJ (US)
(72) Inventors: **Sergio Gedanke**, Princeton, NJ (US); **Frank Edward Lindsay**, Hamilton, NJ (US)
(73) Assignee: **Church & Dwight Co., Inc.**, Princeton, NJ (US)
(**) Term: **15 Years**

D640,926 S 7/2011 Turchi et al.
D646,577 S 10/2011 Turchi et al.
D706,637 S * 6/2014 James D9/529
D707,563 S * 6/2014 James D9/542
D708,066 S 7/2014 Peacock et al.
D710,204 S * 8/2014 James D9/529
D767,994 S * 10/2016 Goswell D9/542
9,505,534 B2 * 11/2016 Mercado B65D 51/228
9,511,890 B2 12/2016 Gill et al.
D781,153 S * 3/2017 Blake D9/529
D783,404 S * 4/2017 Fromberg D9/529
D788,592 S * 6/2017 Shaver D9/542
D789,796 S 6/2017 McSweeney et al.
D800,501 S 10/2017 Rummel et al.
D803,692 S * 11/2017 Enxing D9/539

(Continued)

(21) Appl. No.: **29/746,032**
(22) Filed: **Aug. 11, 2020**
(51) **LOC (13) Cl.** **09-01**
(52) **U.S. Cl.**
USPC **D9/542**; D9/520; D9/560
(58) **Field of Classification Search**
USPC D9/516, 530, 542-543, 559-560, D9/572-574
CPC B65D 1/00; B65D 1/02; B65D 1/0223; B65D 2501/00; B65D 2501/0009; B65D 2501/0081
See application file for complete search history.

FOREIGN PATENT DOCUMENTS

EM 000368352-0001 7/2005
Primary Examiner — Dana Meyrow
(74) *Attorney, Agent, or Firm* — Church & Dwight Co., Inc.

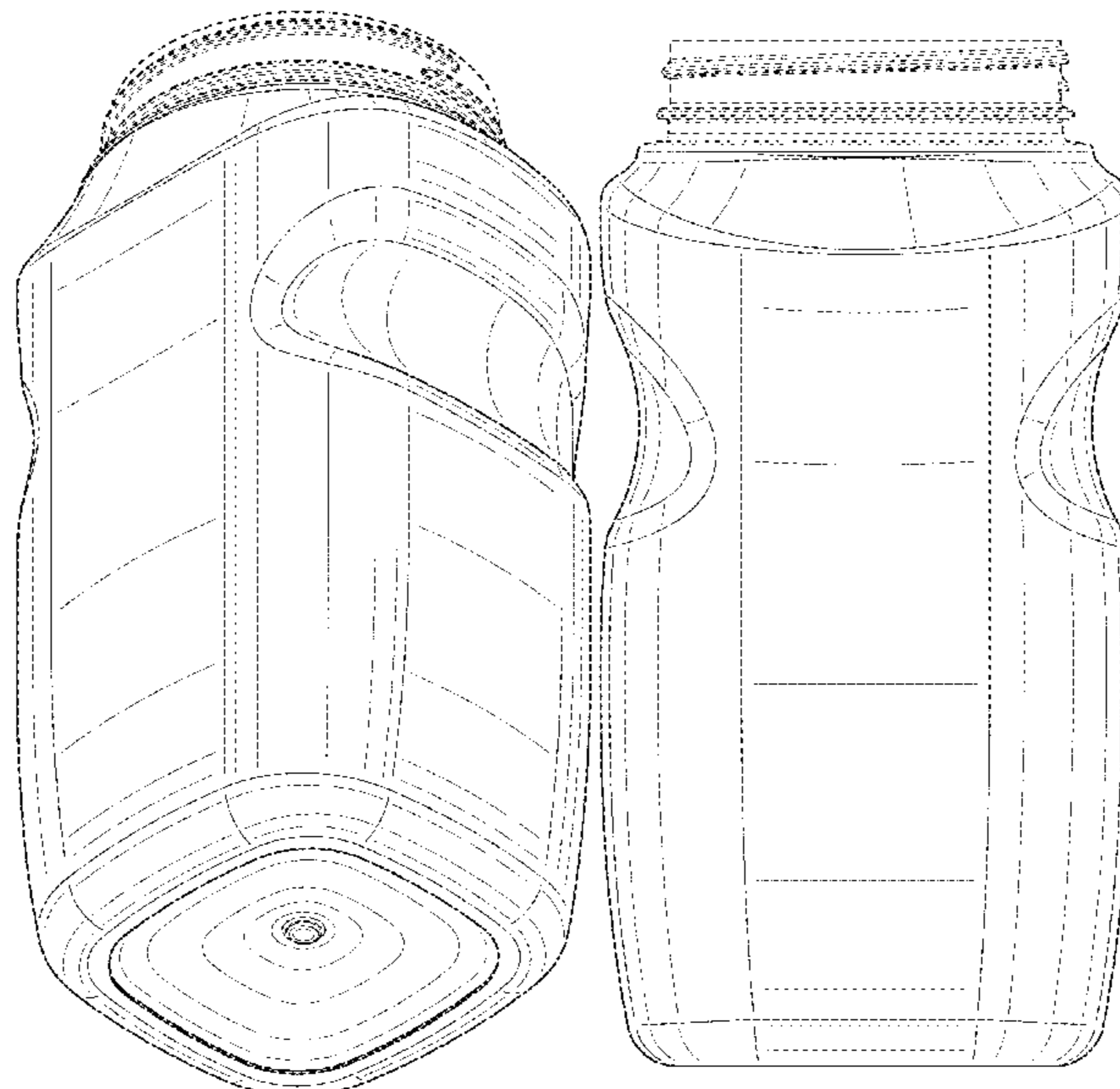
(57) **CLAIM**
The ornamental design for a bottle, as shown and described.

DESCRIPTION

FIG. 1 is top perspective view of the bottle showing the new design;
FIG. 2 is bottom perspective view of the bottle;
FIG. 3 is an elevational view of a front of the bottle;
FIG. 4 is an elevational view of a rear of the bottle;
FIG. 5 is an elevational view of a first side of the bottle;
FIG. 6 is an elevational view of a second, opposing side of the bottle;
FIG. 7 is a top plan view of the bottle; and,
FIG. 8 is a bottom plan view of the bottle.
The broken lines in the drawings showing illustrate the portions of the bottle that form no part of the claim.

1 Claim, 7 Drawing Sheets

(56) **References Cited**
U.S. PATENT DOCUMENTS
D303,762 S 10/1989 Cardinal et al.
D423,107 S * 4/2000 Brown D24/197
D444,067 S * 6/2001 Goettner D9/525
D470,774 S * 2/2003 Zaksenberg D9/542
D505,331 S 5/2005 Lane et al.
D533,455 S * 12/2006 Leck D9/516
D560,440 S 1/2008 George et al.
D607,738 S 1/2010 Kuzma et al.
D620,803 S 8/2010 Carnduff et al.
D621,272 S 8/2010 Carnduff et al.
D623,064 S 9/2010 Salmon et al.



(56)

References Cited

U.S. PATENT DOCUMENTS

D932,307 S 10/2021 Gedanke et al.
2004/0238553 A1 12/2004 Lane et al.
2011/0006066 A1 1/2011 Vandamme et al.

* cited by examiner

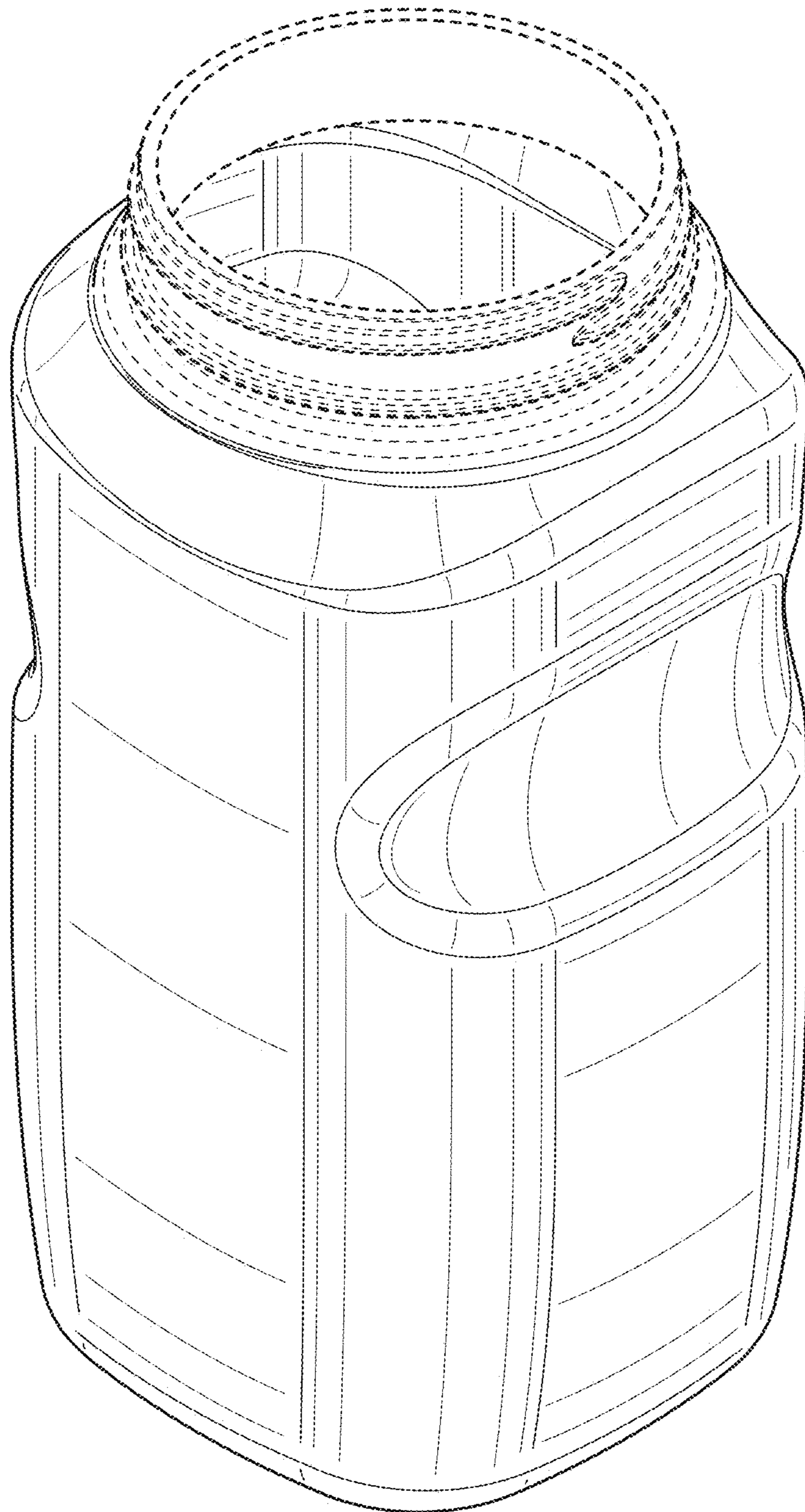


FIG. 1

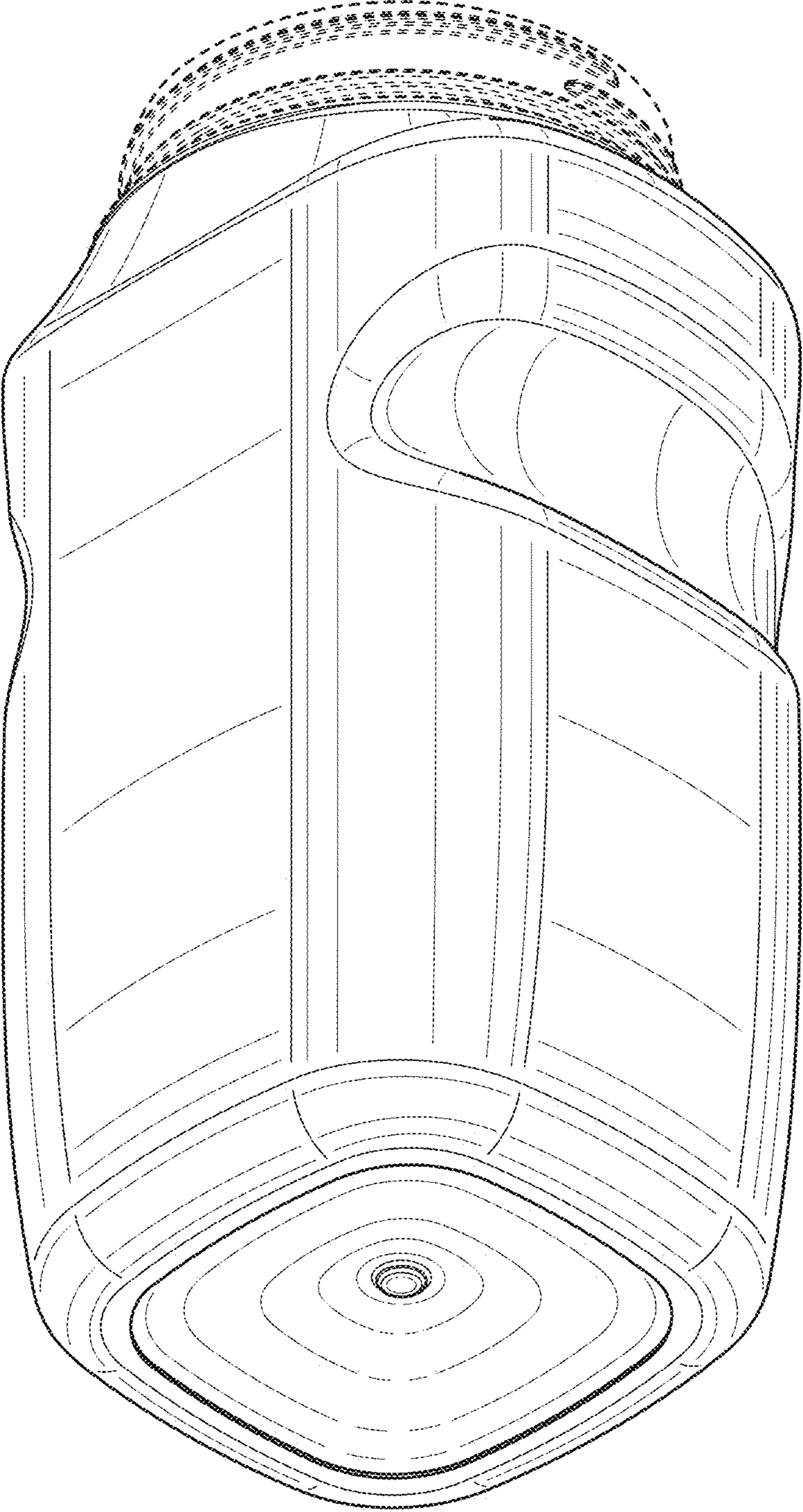


FIG. 2

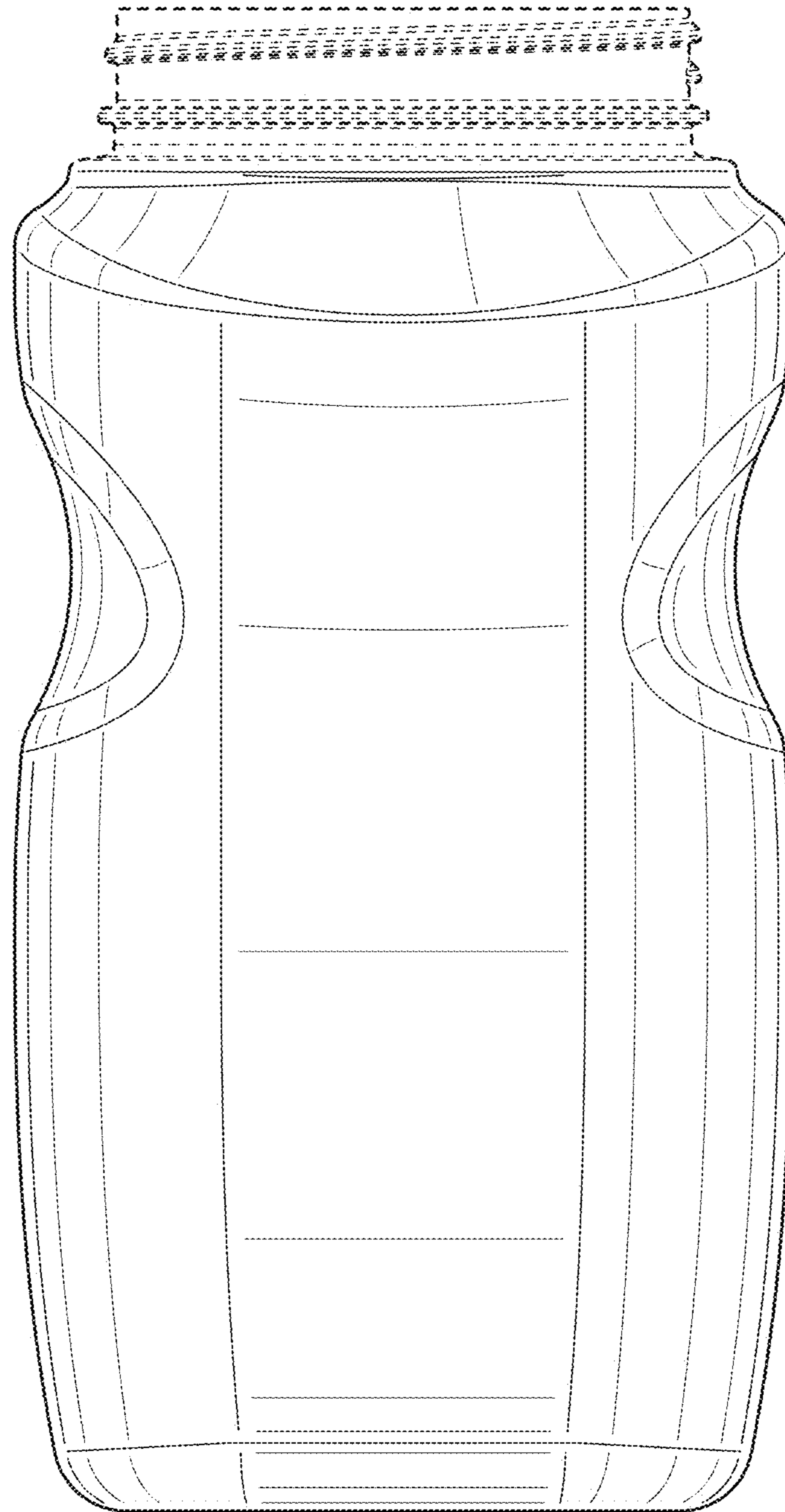


FIG. 3

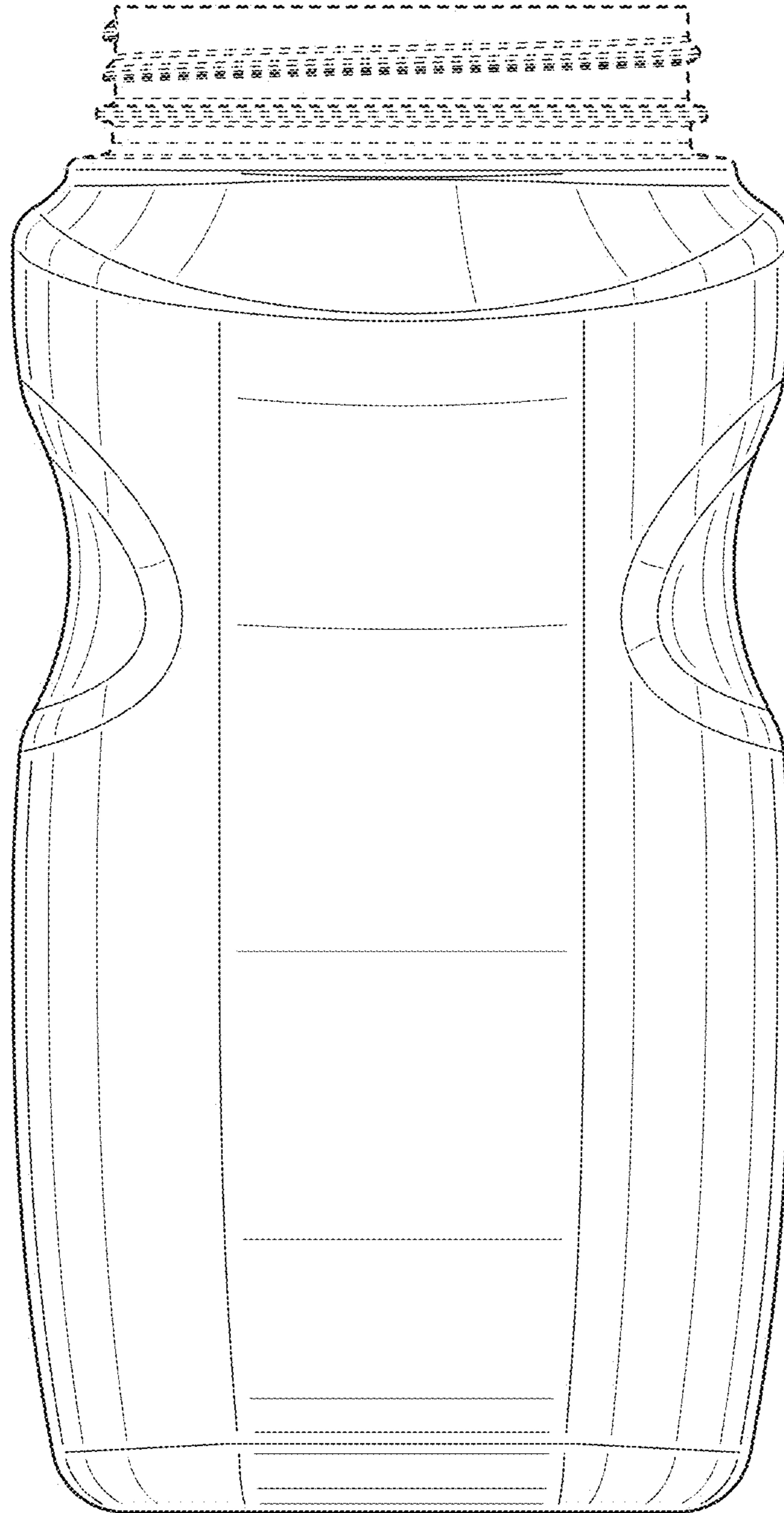


FIG. 4

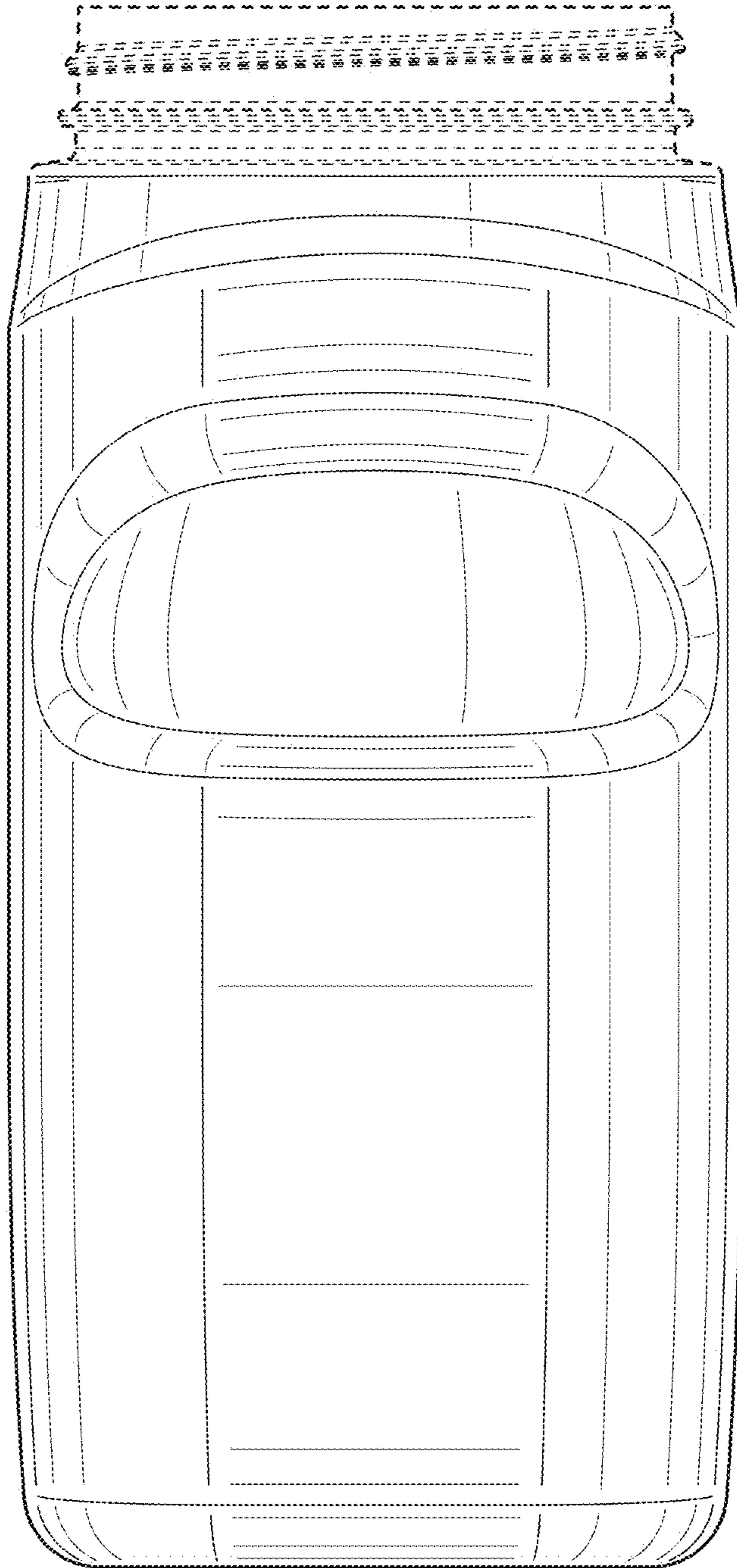


FIG. 5

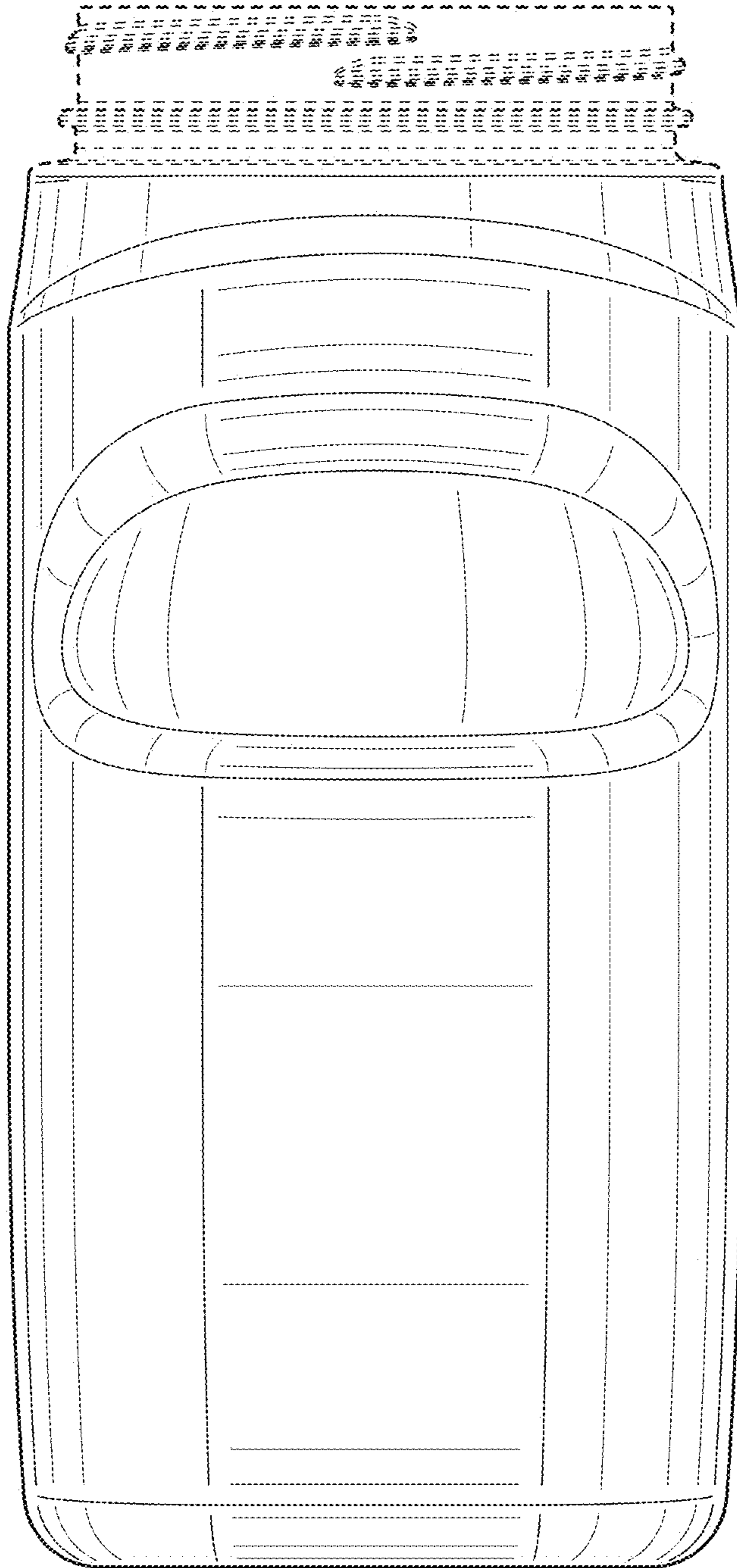


FIG. 6

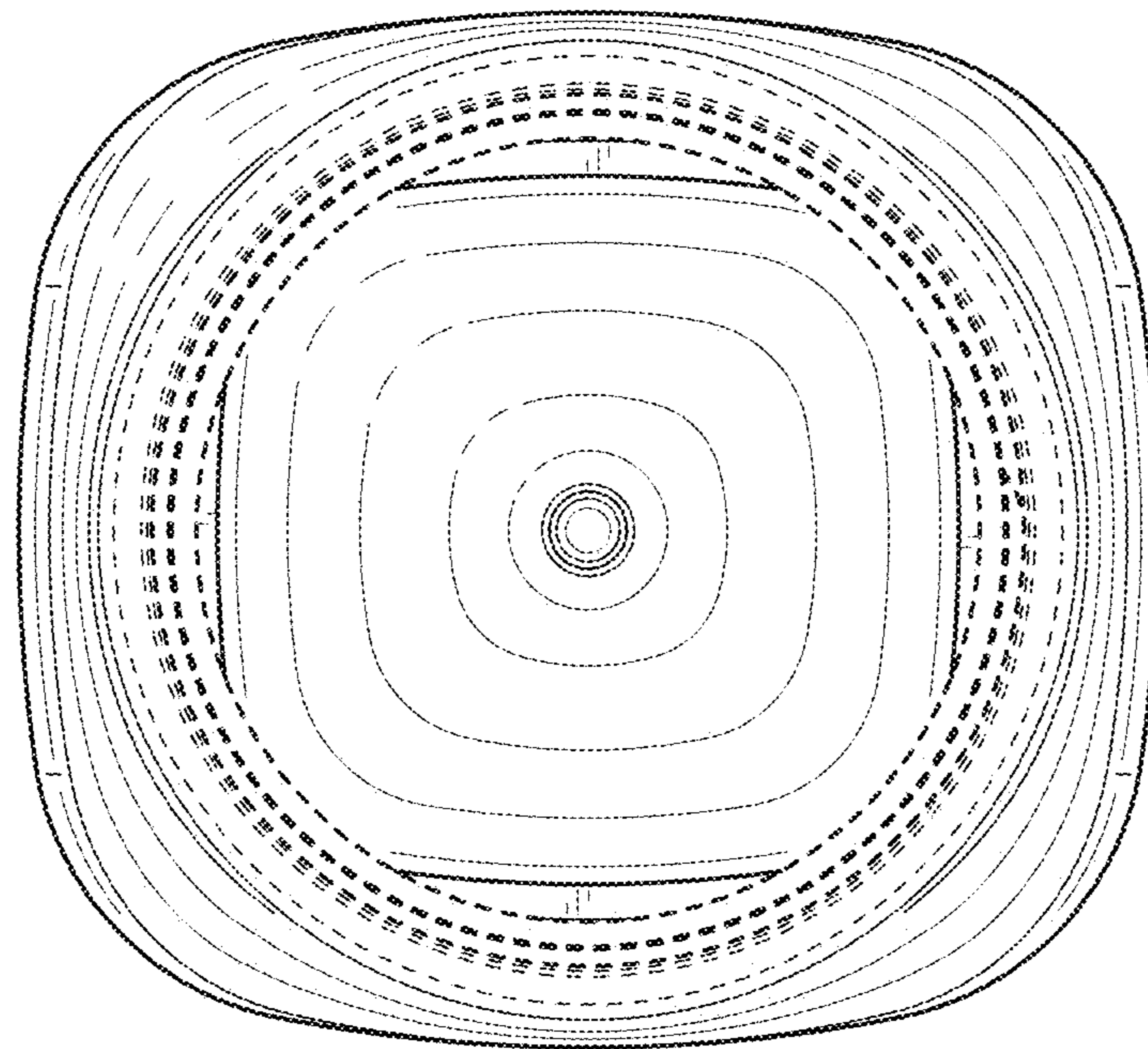


FIG. 7

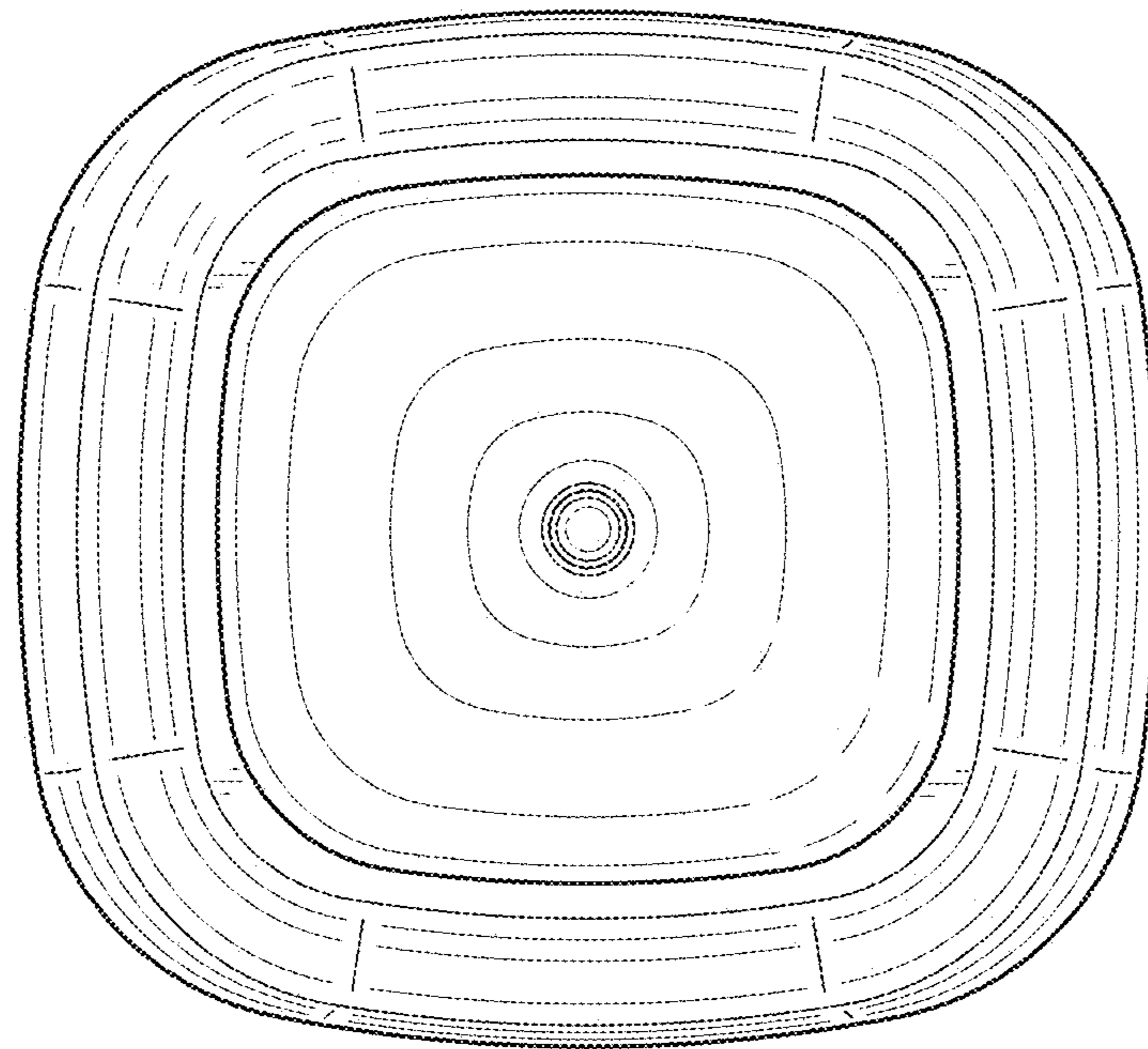


FIG. 8