



US00D942860S

(12) **United States Design Patent** (10) **Patent No.:** **US D942,860 S**
Bridges et al. (45) **Date of Patent:** **** Feb. 8, 2022**

(54) **BOTTLE FOR A SHAVING RAZOR**
(71) Applicant: **The Gillette Company LLC**, Boston, MA (US)
(72) Inventors: **Kelly Daniel Bridges**, Boston, MA (US); **Christopher Ramm**, Boston, MA (US); **Philipp Goeder**, Frankfurt (DE)
(73) Assignee: **The Gillette Company LLC**, Boston, MA (US)

D398,002 S 9/1998 Stewart et al.
D401,856 S 12/1998 Daniels
5,855,066 A 1/1999 Manger
D417,034 S 11/1999 Shurtleff
D421,966 S 3/2000 Allen et al.
D429,034 S 8/2000 Shurtleff
D437,661 S 2/2001 Pinchuk
D464,329 S 10/2002 Mainiero
D469,356 S 1/2003 Vo
D474,478 S 5/2003 Laverick et al.
D475,159 S 5/2003 Fisher
D489,984 S 5/2004 Futral et al.

(Continued)

(**) Term: **15 Years**

OTHER PUBLICATIONS

(21) Appl. No.: **29/679,988**
(22) Filed: **Feb. 12, 2019**
(51) **LOC (13) Cl.** **09-01**
(52) **U.S. Cl.**
USPC **D9/522; D9/564**
(58) **Field of Classification Search**
USPC D9/522, 523, 542, 563, 574, 537, 564, D9/748
CPC . B65D 1/0223; B65D 2501/0081; B65D 1/02
See application file for complete search history.

All Office Actions, U.S. Appl. No. 16/788,747.
(Continued)

Primary Examiner — Brett Miller
Assistant Examiner — Rani J Abdallah
(74) *Attorney, Agent, or Firm* — John M. Lipchitz

(57) **CLAIM**

The ornamental design for a bottle for a shaving razor, as shown and described.

(56) **References Cited**

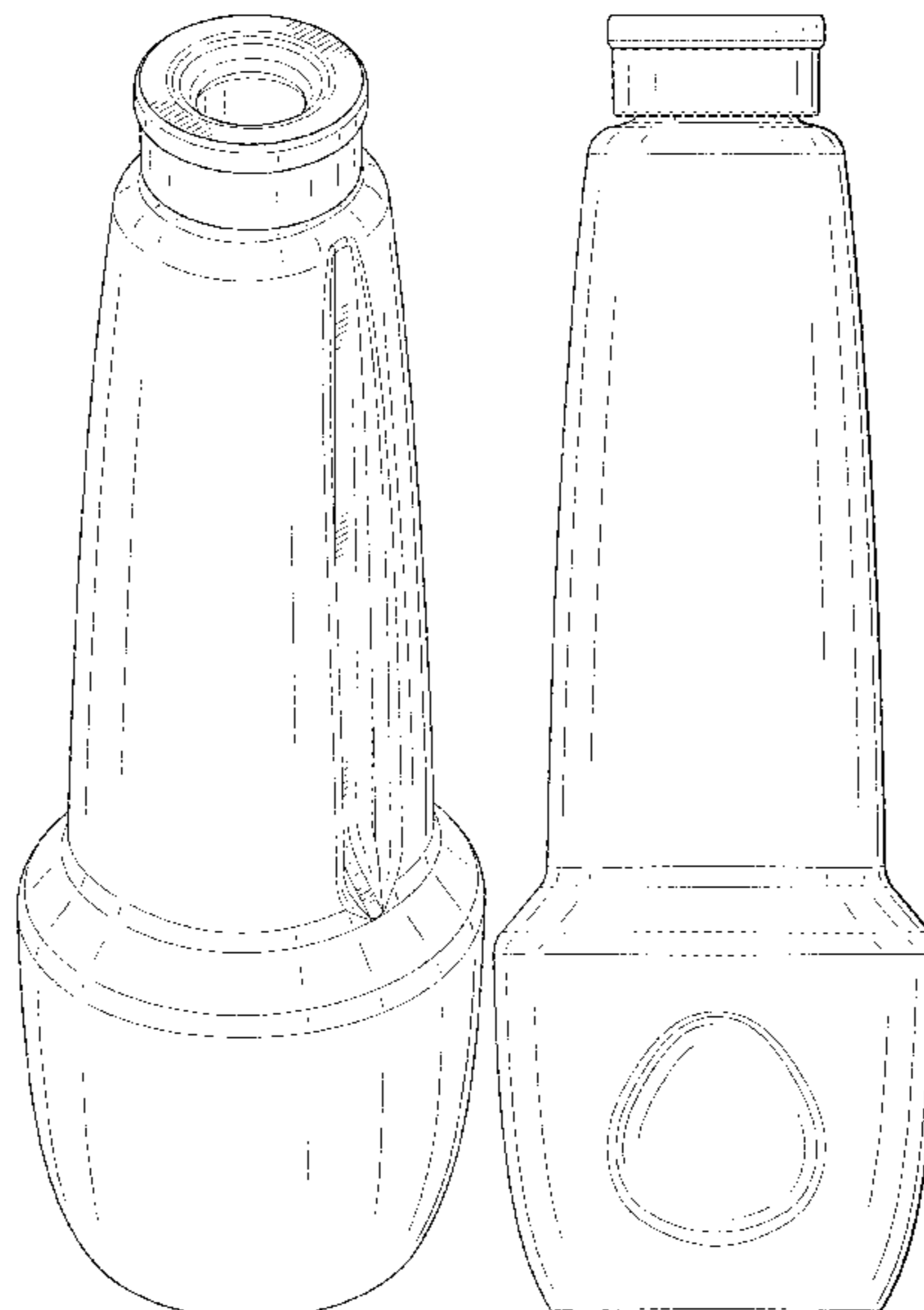
DESCRIPTION

U.S. PATENT DOCUMENTS

514,426 A * 2/1894 Outerbridge, Jr. ... B01J 19/0046 422/556
D176,728 S 1/1956 Nolan
2,747,273 A 5/1956 Olsson
2,803,028 A 8/1957 Flynn
D191,685 S 10/1961 Price
D223,438 S * 4/1972 Lluch D9/539
D228,343 S * 9/1973 Kretz D9/563
D238,930 S * 2/1976 Dadmun D9/545
D268,988 S * 5/1983 Hirsh D9/504
D285,655 S 9/1986 MacLaughlin et al.
D330,859 S 11/1992 Schaeffer
D332,050 S 12/1992 Schmidt
D357,628 S 4/1995 Vasas

FIG. 1 is a perspective view of a bottle for a shaving razor showing our new design;
FIG. 2 is a front view thereof;
FIG. 3 is a rear view thereof;
FIG. 4 is a right side view thereof;
FIG. 5 is a left side view thereof;
FIG. 6 is a top view thereof;
FIG. 7 is a bottom view thereof; and,
FIG. 8 is another perspective view thereof.
The broken lines illustrate portions of the bottle for a shaving razor and form no part of the claimed design.

1 Claim, 7 Drawing Sheets



(56)

References Cited

U.S. PATENT DOCUMENTS

D539,154 S * 3/2007 Beach-Drummond D9/500
 D549,671 S 8/2007 Teiber et al.
 D576,040 S 9/2008 Martins, Jr.
 D592,060 S 5/2009 Chupak
 D594,339 S * 6/2009 Geeraert D9/523
 D596,037 S * 7/2009 Slubski D9/537
 D602,369 S * 10/2009 Potts D9/537
 D606,407 S * 12/2009 Fadelli D9/504
 D611,818 S 3/2010 Monin
 D614,492 S * 4/2010 Hermel D9/500
 D615,404 S 5/2010 Pitzer et al.
 D624,243 S 9/2010 Rhoad
 D644,532 S 9/2011 Hodges et al.
 D651,515 S 1/2012 Haile
 D652,723 S 1/2012 Reisig
 D652,991 S 1/2012 Cavazos et al.
 D654,221 S 2/2012 Christie et al.
 D656,676 S 3/2012 Cavazos et al.
 D656,677 S 3/2012 Cavazos et al.
 D660,516 S 5/2012 Christie et al.
 D661,594 S * 6/2012 Renieris D7/316
 D663,623 S * 7/2012 Slubski D9/537
 D680,436 S * 4/2013 Sanchez D9/522
 D680,437 S * 4/2013 Bartolo D9/537
 D682,703 S 5/2013 Martin
 D684,060 S * 6/2013 Hodges D9/500
 D691,885 S * 10/2013 Potts D9/500
 D694,627 S * 12/2013 Sultan D9/500
 D695,121 S 12/2013 Seo
 D699,395 S 2/2014 Bae
 D710,056 S 7/2014 Martin
 D712,026 S * 8/2014 Cant D24/115
 D714,644 S 10/2014 Wagner et al.
 D715,150 S 10/2014 Fedewa et al.
 D719,446 S * 12/2014 Ponomarenko D9/500
 D730,189 S * 5/2015 Haile D4/116
 D736,644 S * 8/2015 Hamilton D27/162
 D740,676 S * 10/2015 Brown D9/500
 D740,681 S * 10/2015 Hamilton D9/524
 D746,140 S * 12/2015 Watabe D9/445
 D751,932 S 3/2016 Chong et al.

D757,364 S 5/2016 Aulwes et al.
 D764,971 S 8/2016 Schulz et al.
 D787,333 S 5/2017 Ma
 D805,904 S 12/2017 Kim
 D811,881 S 3/2018 Lauret
 D828,310 S 9/2018 Luke et al.
 D829,468 S 10/2018 Anderson et al.
 D829,993 S 10/2018 Hage et al.
 D830,826 S * 10/2018 Bae D9/445
 D843,658 S 3/2019 Kong
 D874,941 S * 2/2020 Wittek D9/564
 D883,784 S * 5/2020 Laib D9/500
 D887,641 S 6/2020 Ramm et al.
 D894,598 S * 9/2020 Applegate D9/521
 D909,136 S * 2/2021 Hannouche D9/543
 D911,606 S 2/2021 Ramm et al.
 D918,051 S * 5/2021 Sanghavi D9/537
 2008/0209733 A1 9/2008 Johnson
 2009/0134111 A1 * 5/2009 Schroeder B65D 75/54
 215/10
 2009/0320293 A1 12/2009 Clarke
 2010/0107415 A1 5/2010 Kurzet
 2012/0102742 A1 5/2012 Jessemey
 2012/0102761 A1 5/2012 Jessemey et al.
 2013/0145625 A1 6/2013 Xu
 2013/0145626 A1 6/2013 Xu
 2015/0121704 A1 5/2015 Bridges et al.
 2015/0121705 A1 5/2015 Coffindaffer et al.
 2018/0200899 A1 7/2018 Eagleton
 2018/0297225 A1 10/2018 Hodgson
 2019/0299466 A1 10/2019 Goeder et al.
 2019/0299471 A1 10/2019 Verasamy et al.
 2019/0299472 A1 10/2019 Johnson et al.
 2019/0365078 A1 12/2019 Bourque
 2019/0365079 A1 12/2019 Bourque
 2020/0114381 A1 4/2020 Bhandari
 2020/0254639 A1 8/2020 Bridges et al.

OTHER PUBLICATIONS

All Office Actions, U.S. Appl. No. 29/650,040.
 All Office Actions, U.S. Appl. No. 29/650,044.
 All Office Actions, U.S. Appl. No. 29/734,437.

* cited by examiner

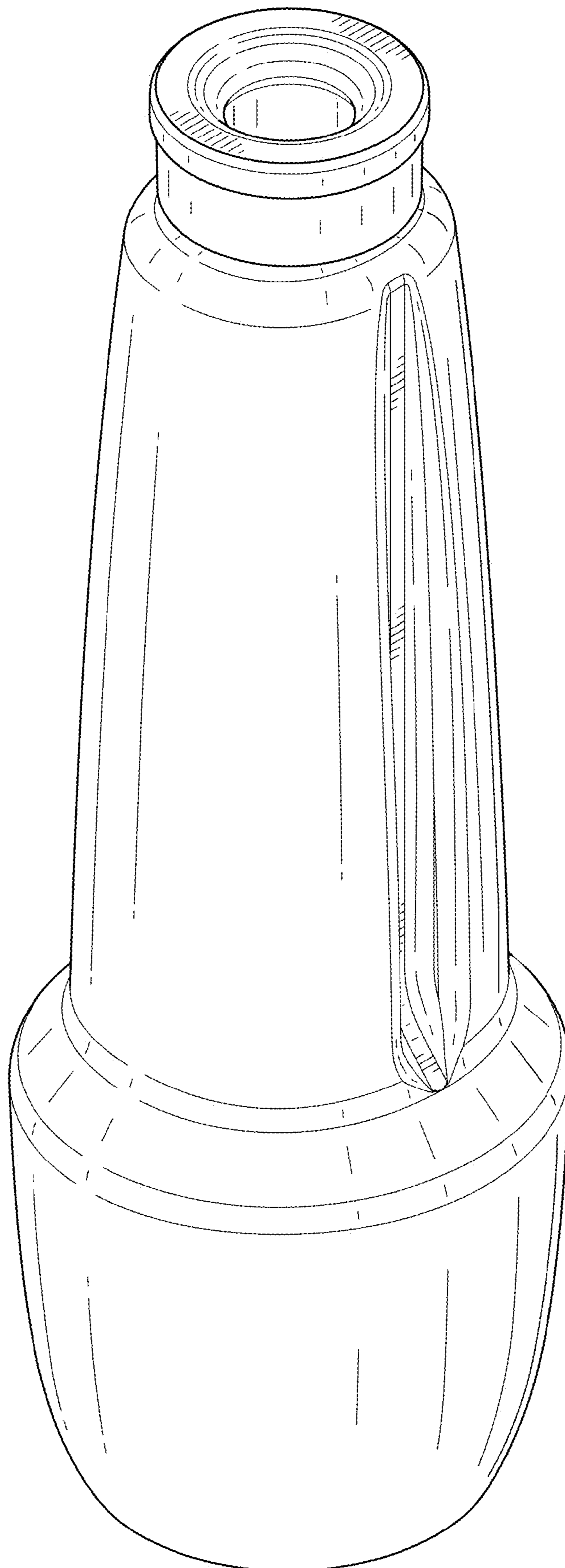


FIG. 1

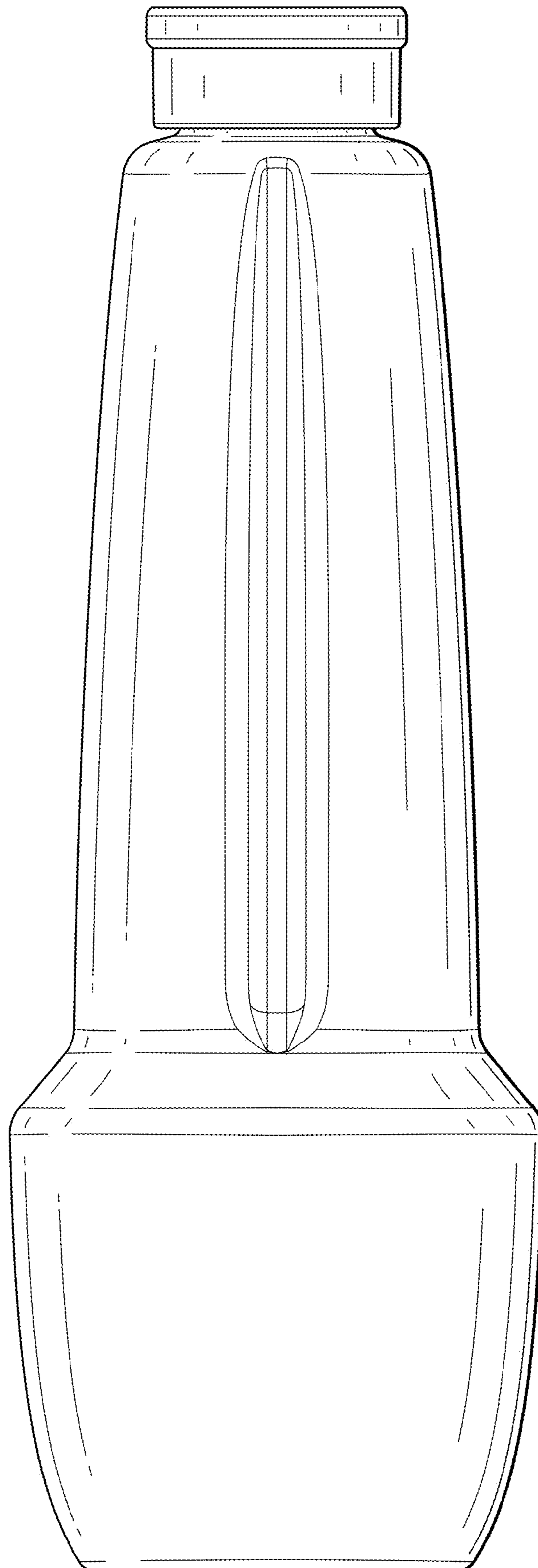


FIG. 2

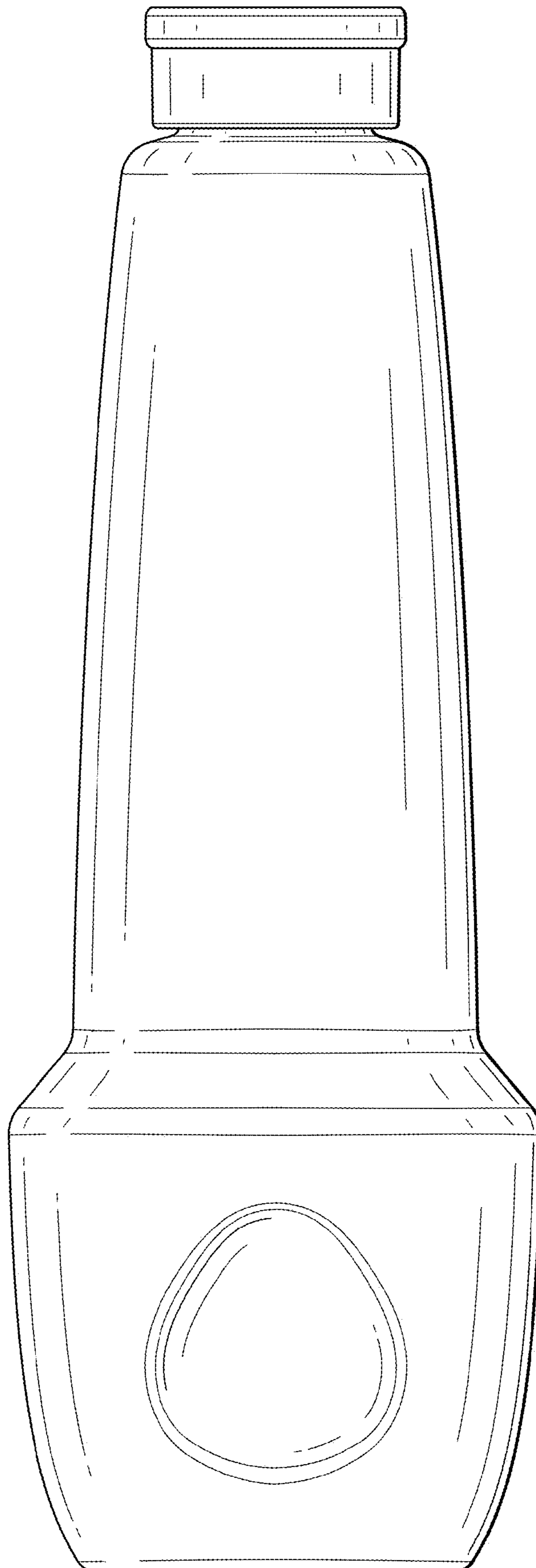


FIG. 3

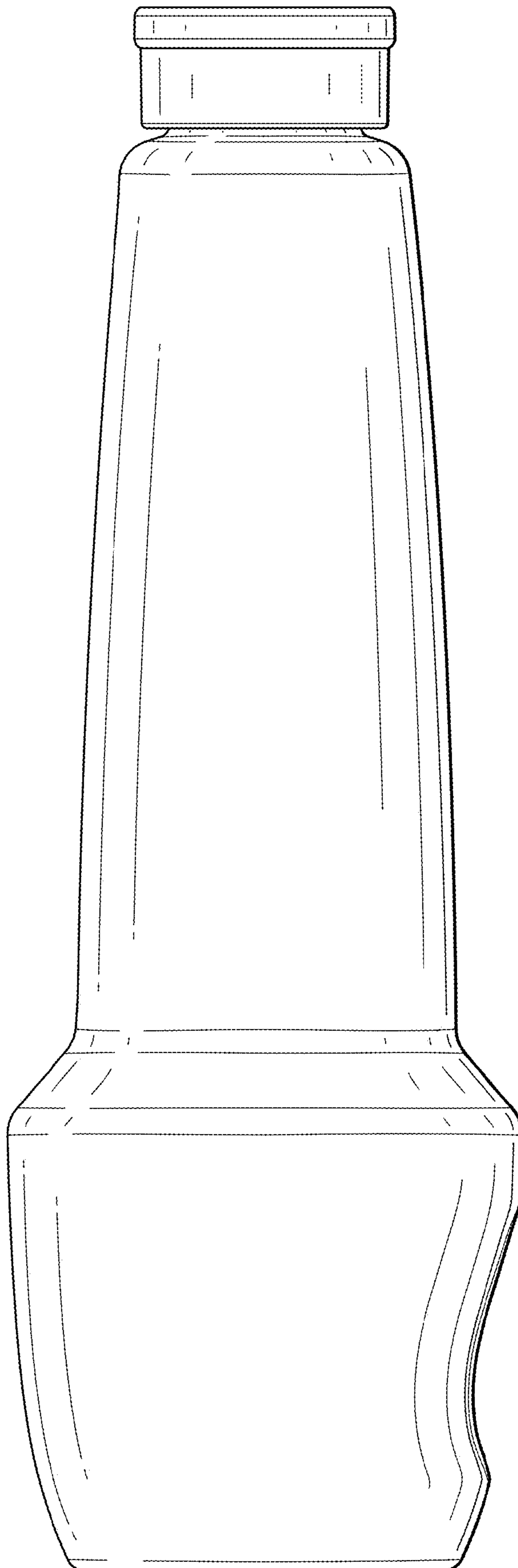


FIG. 4

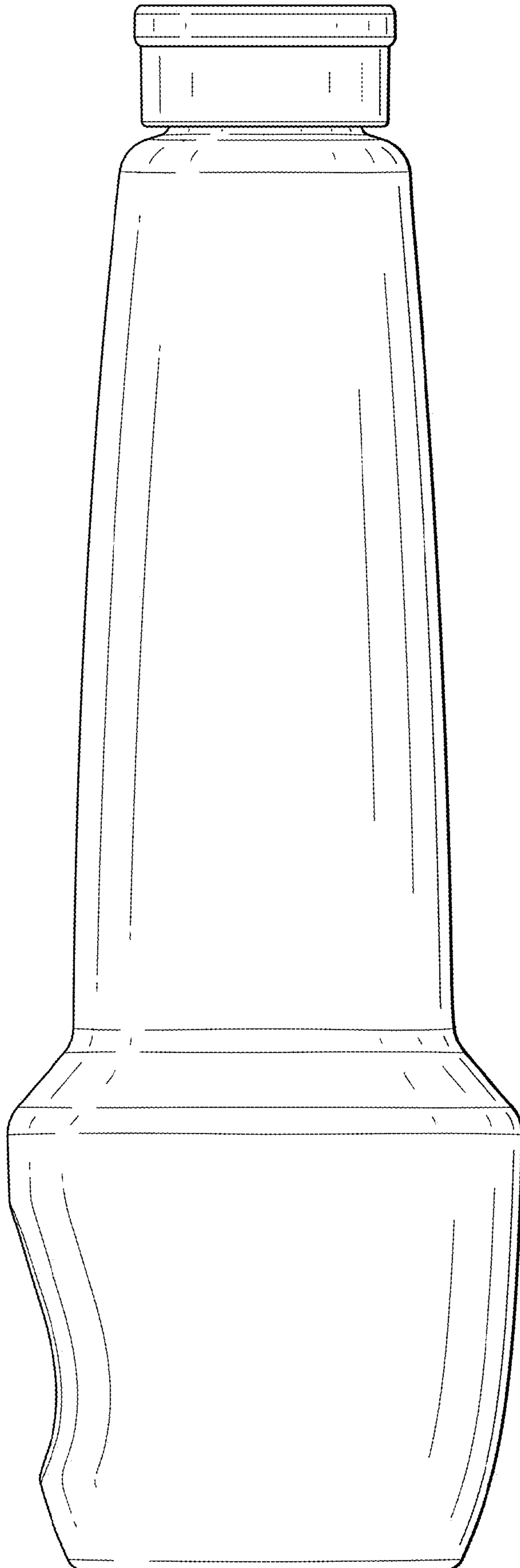


FIG. 5

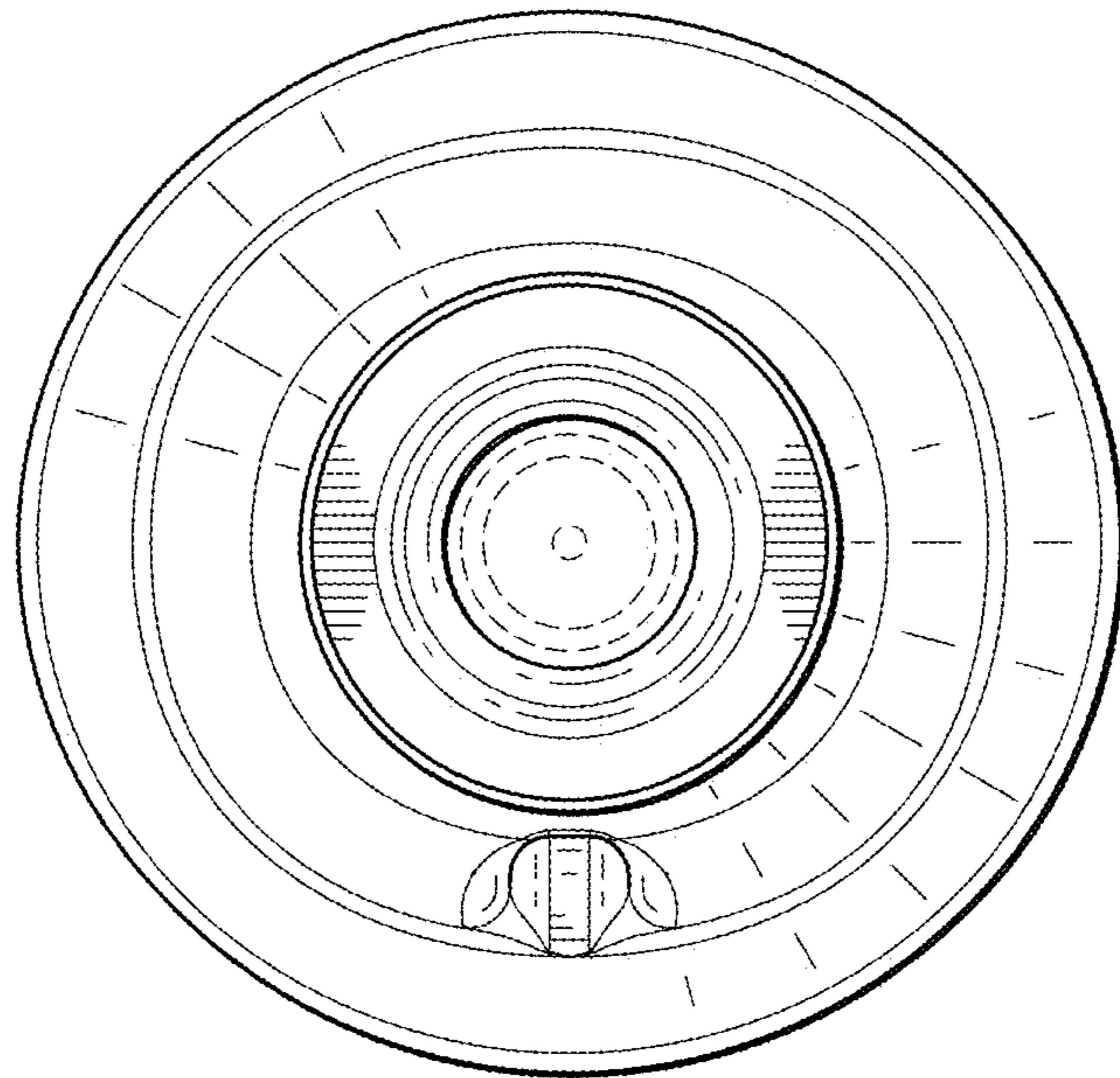


FIG. 6

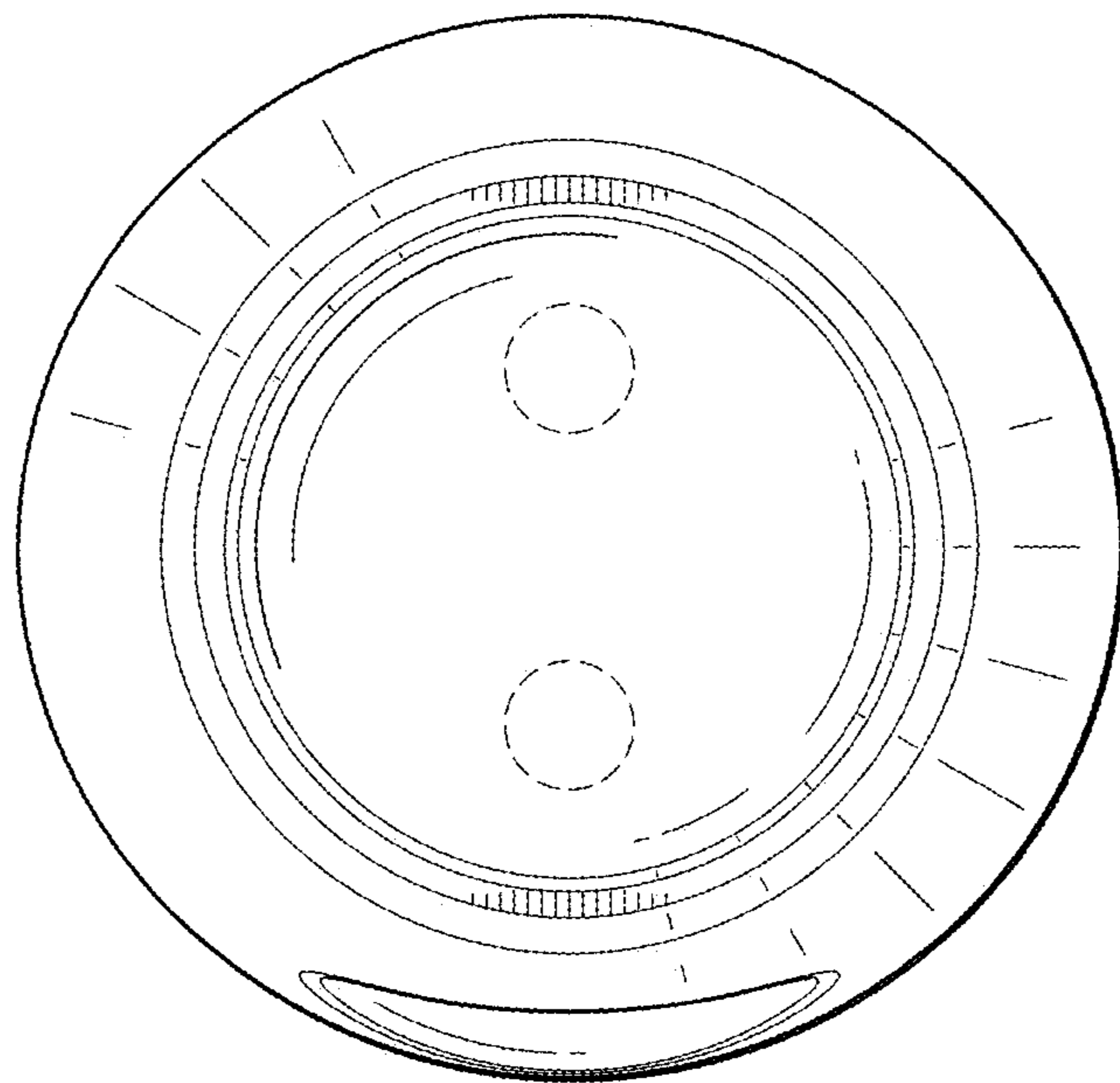


FIG. 7

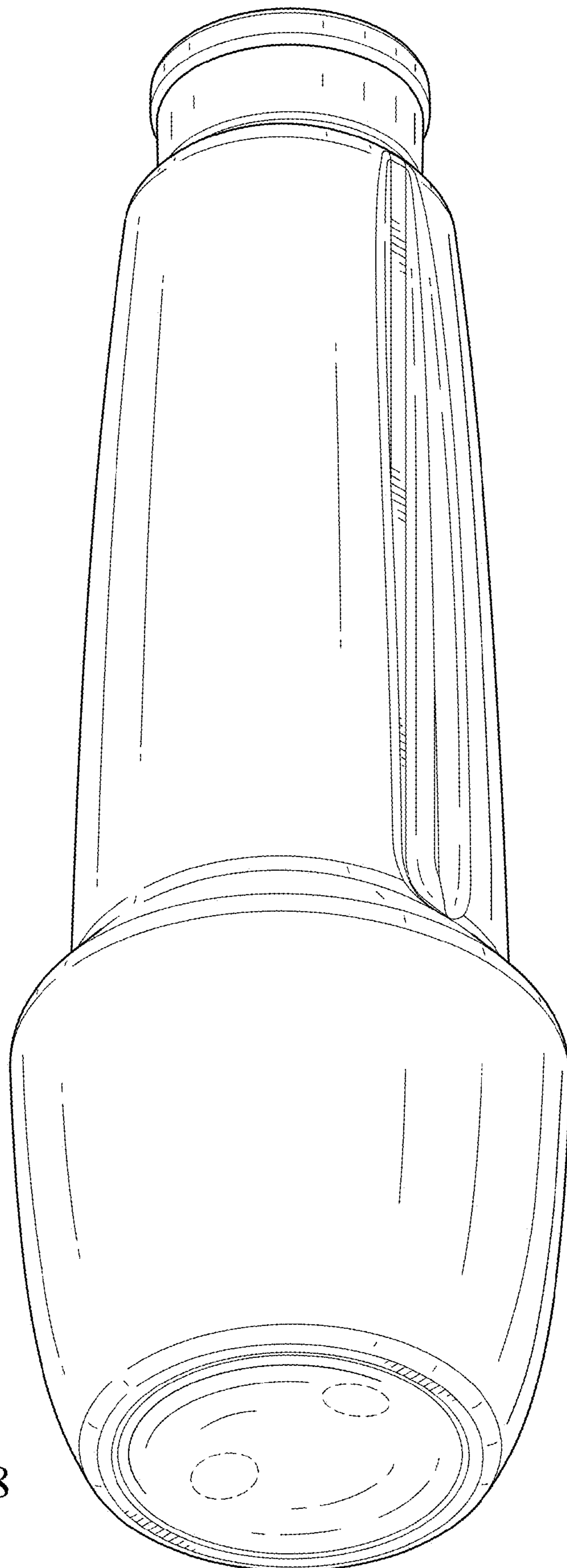


FIG. 8