



US00D942859S

(12) **United States Design Patent** (10) **Patent No.:** **US D942,859 S**  
**Macklowe et al.** (45) **Date of Patent:** **\*\* Feb. 8, 2022**

(54) **BOTTLE**  
(71) Applicant: **MACKLOWE SPIRITS LLC**, New York, NY (US)  
(72) Inventors: **Julie Macklowe**, New York, NY (US); **Oona Hart**, Brooklyn, NY (US)  
(73) Assignee: **MACKLOWE SPIRITS LLC**, New York, NY (US)

D647,803 S \* 11/2011 Regas ..... D9/516  
D659,543 S \* 5/2012 Campbell ..... D9/542  
D665,262 S \* 8/2012 Regas ..... D9/516  
D680,004 S \* 4/2013 Lecetre ..... D9/574  
D739,760 S \* 9/2015 Manley ..... D9/574  
D825,338 S \* 8/2018 Manley ..... D9/516  
D828,173 S 9/2018 Horowitz  
D830,829 S \* 10/2018 Manley ..... D9/516

(\*\*) Term: **15 Years**  
(21) Appl. No.: **29/781,794**  
(22) Filed: **Apr. 30, 2021**  
(51) **LOC (13) Cl.** ..... **09-01**  
(52) **U.S. Cl.**  
USPC ..... **D9/516**; D9/574  
(58) **Field of Classification Search**  
USPC ..... D9/516, 542-544, 563, 566, 572-575,  
D9/715, 719; D3/202  
CPC ..... B65D 1/02; B65D 1/0223; B65D 23/00;  
B65D 2501/00; B65D 2501/0009; B65D  
2501/0081  
See application file for complete search history.

**OTHER PUBLICATIONS**

Vogue “Julie Macklowe’s Latest Venture? An American Single-Malt Whiskey” (online) posted by Kat Odell on Dec. 6, 2021. Retrieved from Internet on Dec. 18, 2021, URL: <https://www.vogue.com/article/the-macklowe-american-single-malt-whiskey-launch> (4 pages). (Year: 2021).\*

\* cited by examiner

*Primary Examiner* — Wendy L Arminio  
(74) *Attorney, Agent, or Firm* — Andrew F. Young; Nolte Lackenbach Siegel

(57) **CLAIM**

The ornamental design for a bottle, as shown and described.

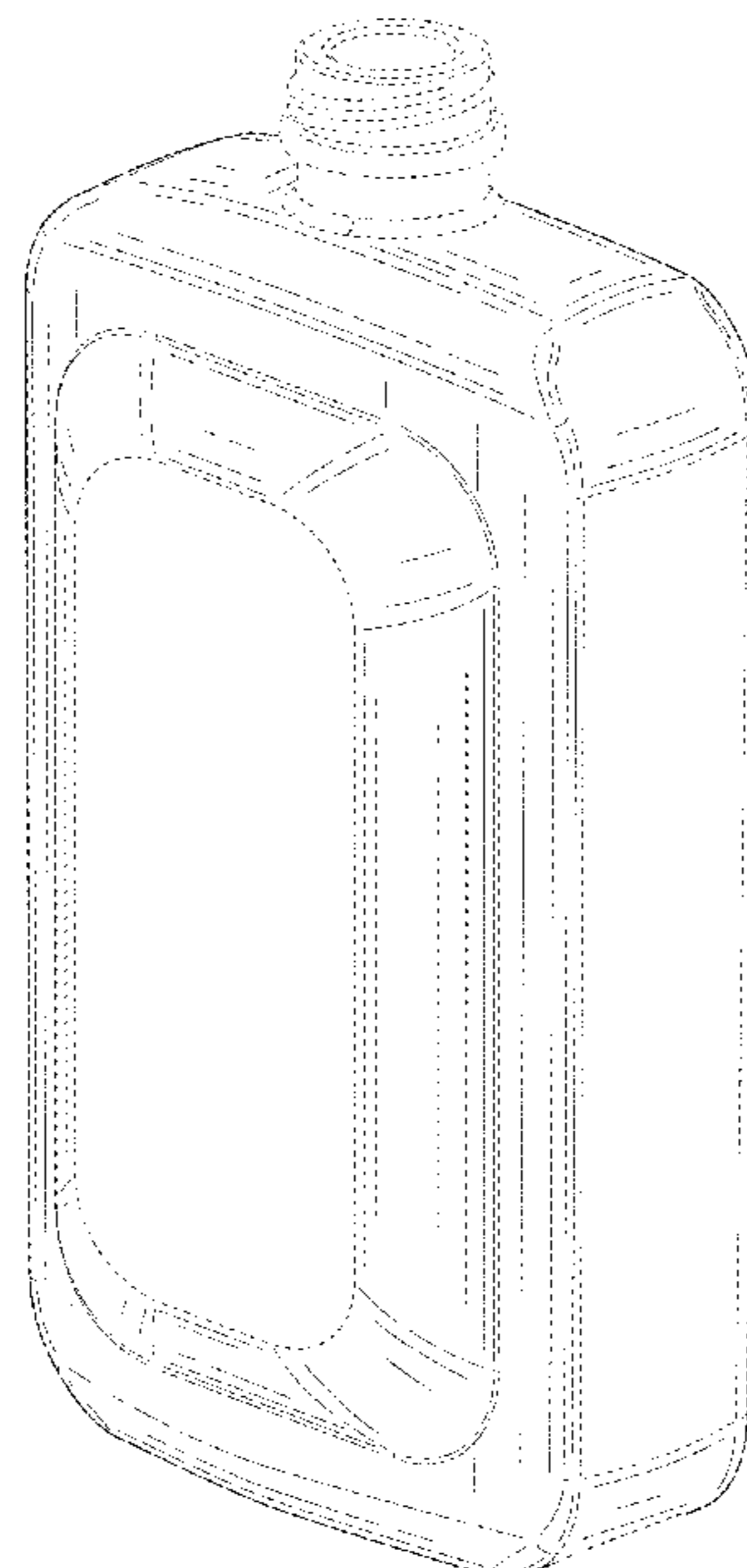
**DESCRIPTION**

FIG. 1 is a right front top perspective view of a bottle showing our new design.  
FIG. 2 is a right rear bottom perspective view of FIG. 1.  
FIG. 3 is a front elevation view of FIG. 1.  
FIG. 4 is a rear elevation view of FIG. 1.  
FIG. 5 is a right side elevation view of FIG. 1.  
FIG. 6 is a left side elevation view of FIG. 1.  
FIG. 7 is a top plan view of FIG. 1; and,  
FIG. 8 is bottom plan view of FIG. 1.  
The broken lines depict portions of the bottle that form no part of the claimed design.

(56) **References Cited**  
U.S. PATENT DOCUMENTS

D82,716 S \* 12/1930 Barbas ..... D9/544  
D95,849 S \* 6/1935 Leach ..... D9/573  
2,084,056 A \* 6/1937 Costello ..... B65D 23/02  
215/2  
D109,846 S \* 5/1938 Klotz ..... D9/542  
D319,585 S \* 9/1991 Poandl ..... D9/574  
D601,903 S 10/2009 Lepoitevin  
D622,602 S \* 8/2010 Potts ..... D9/563  
D645,756 S 9/2011 Zummo  
D646,978 S 10/2011 Horowitz

**1 Claim, 6 Drawing Sheets**



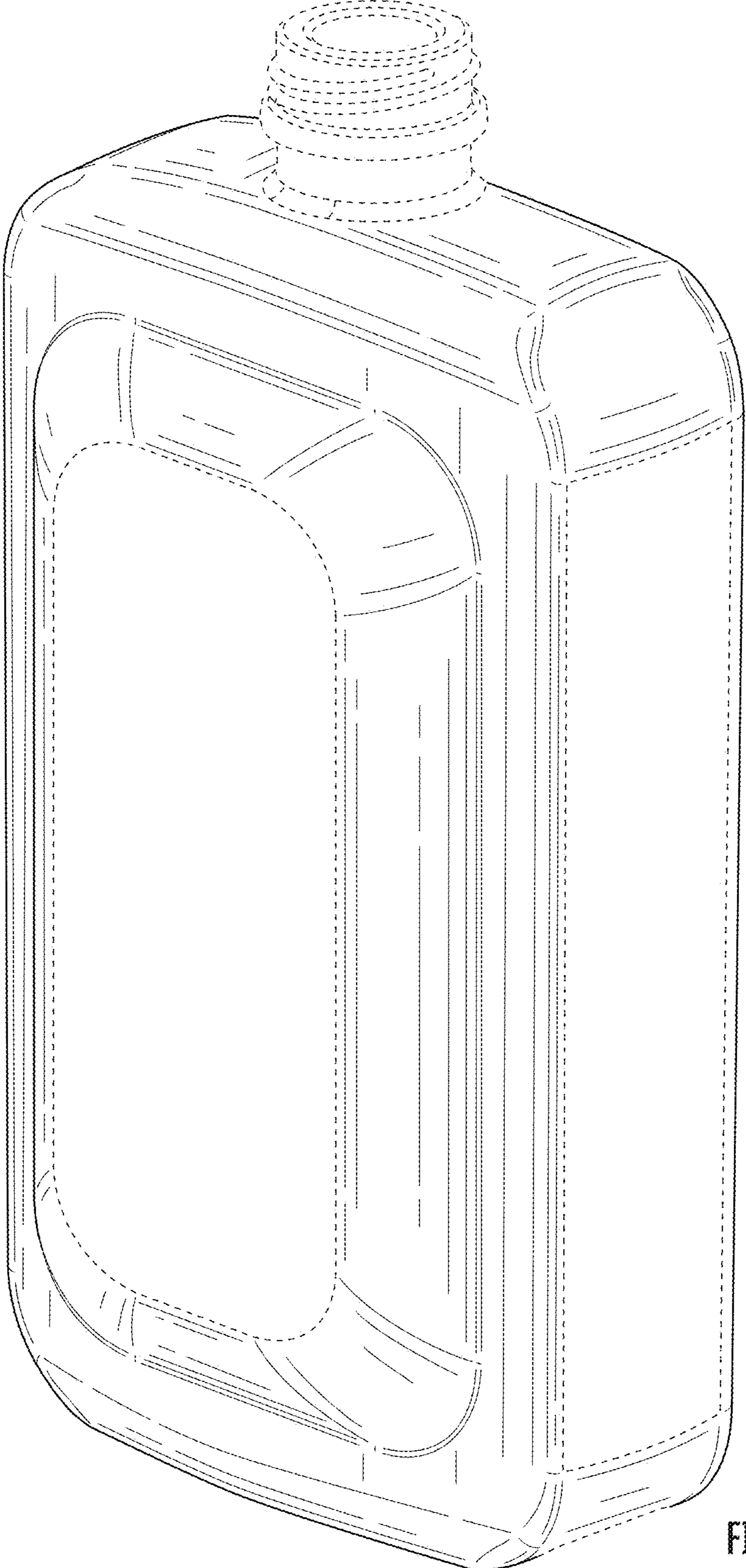


FIG. 1

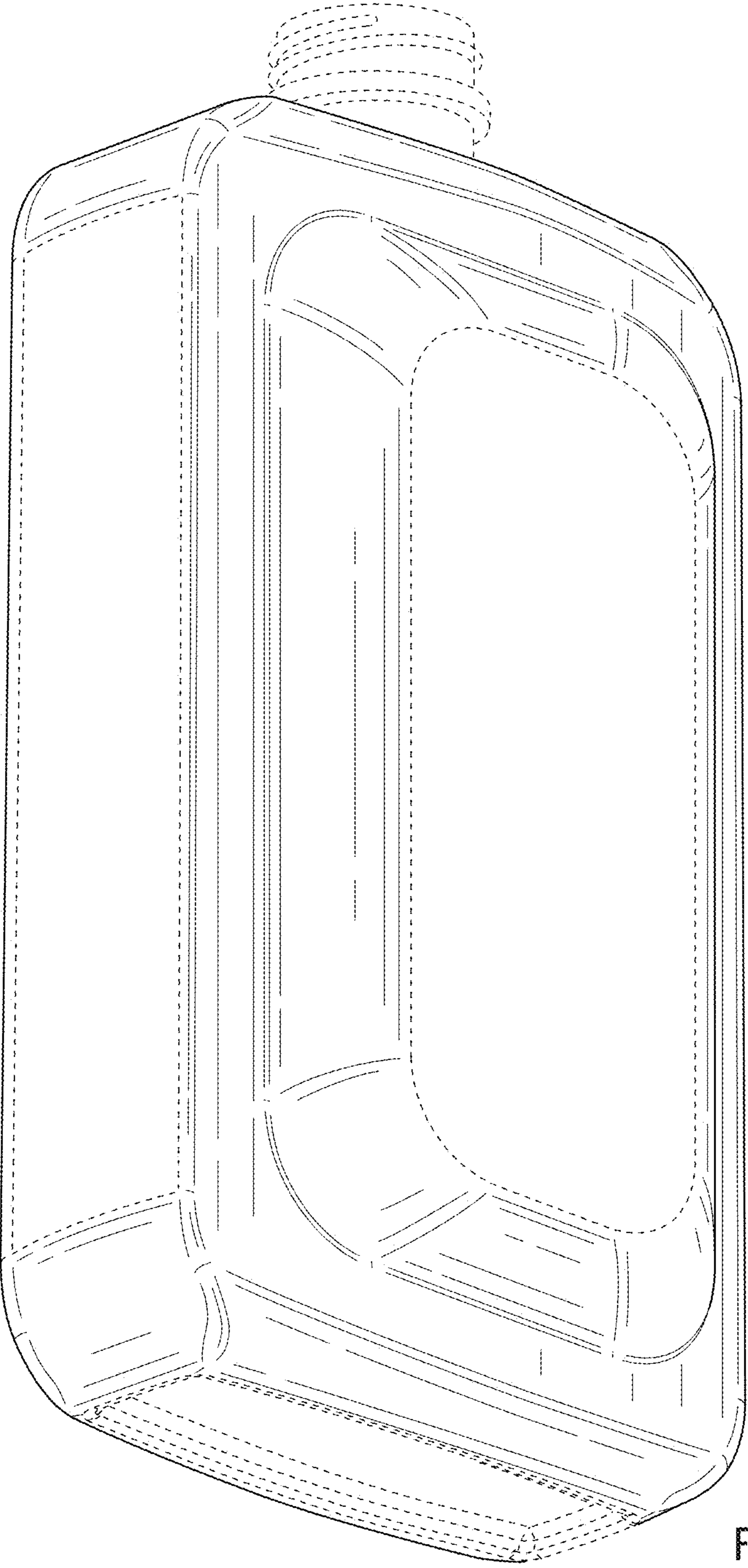


FIG. 2

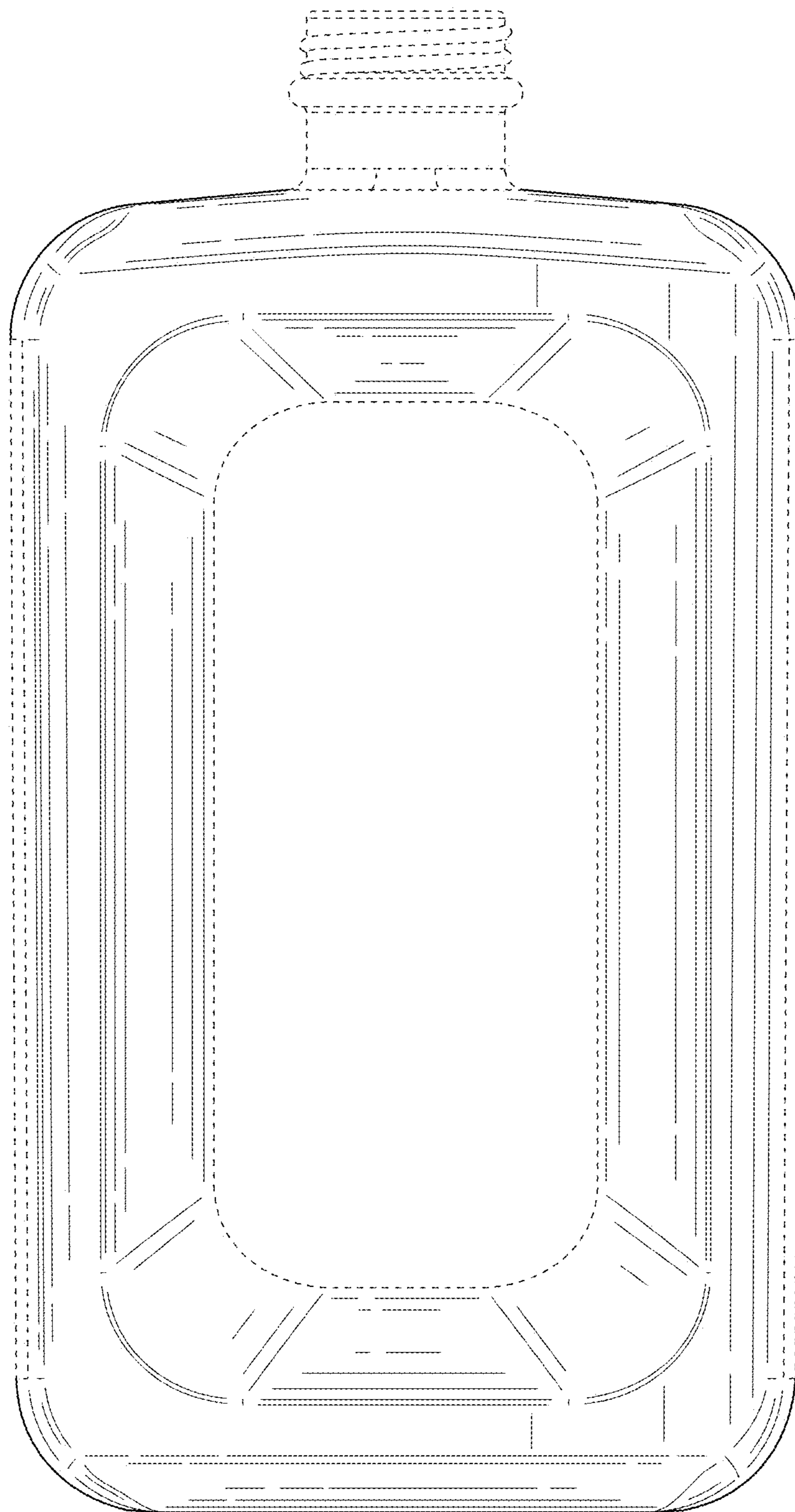


FIG. 3

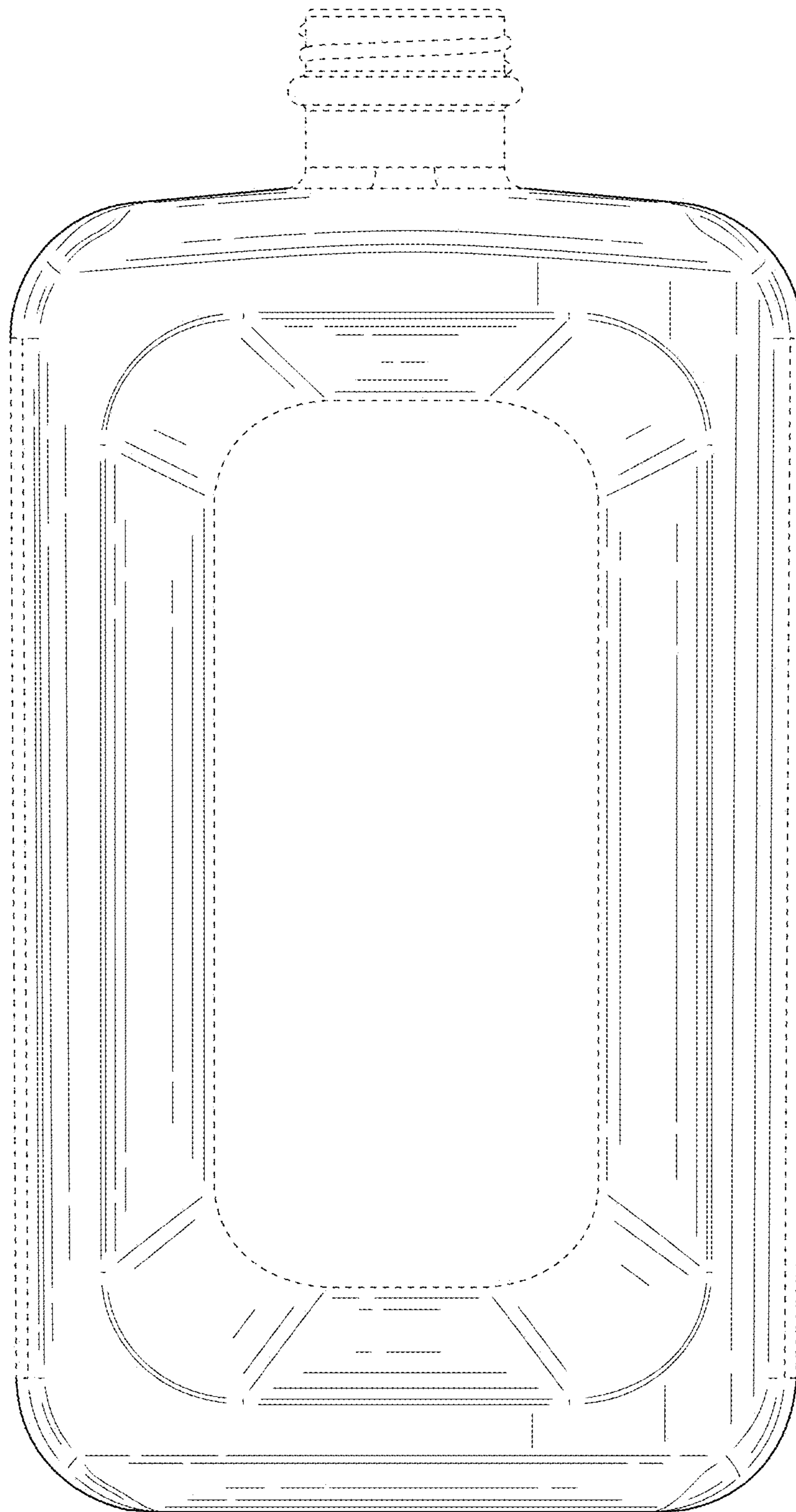


FIG. 4

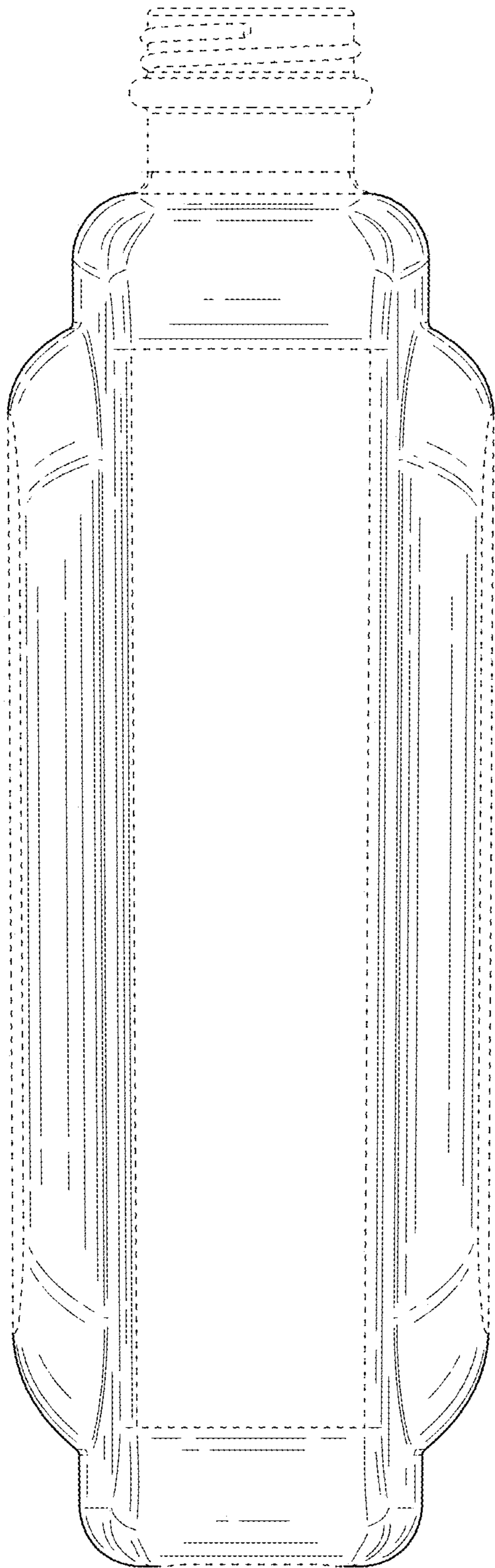


FIG. 5

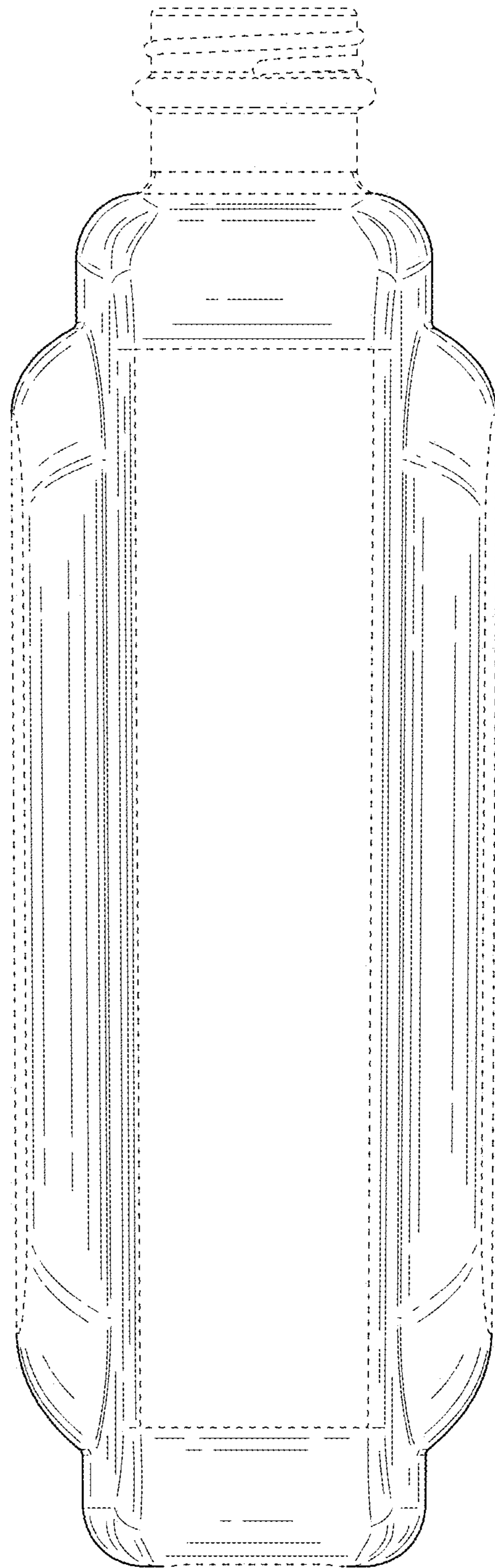


FIG. 6

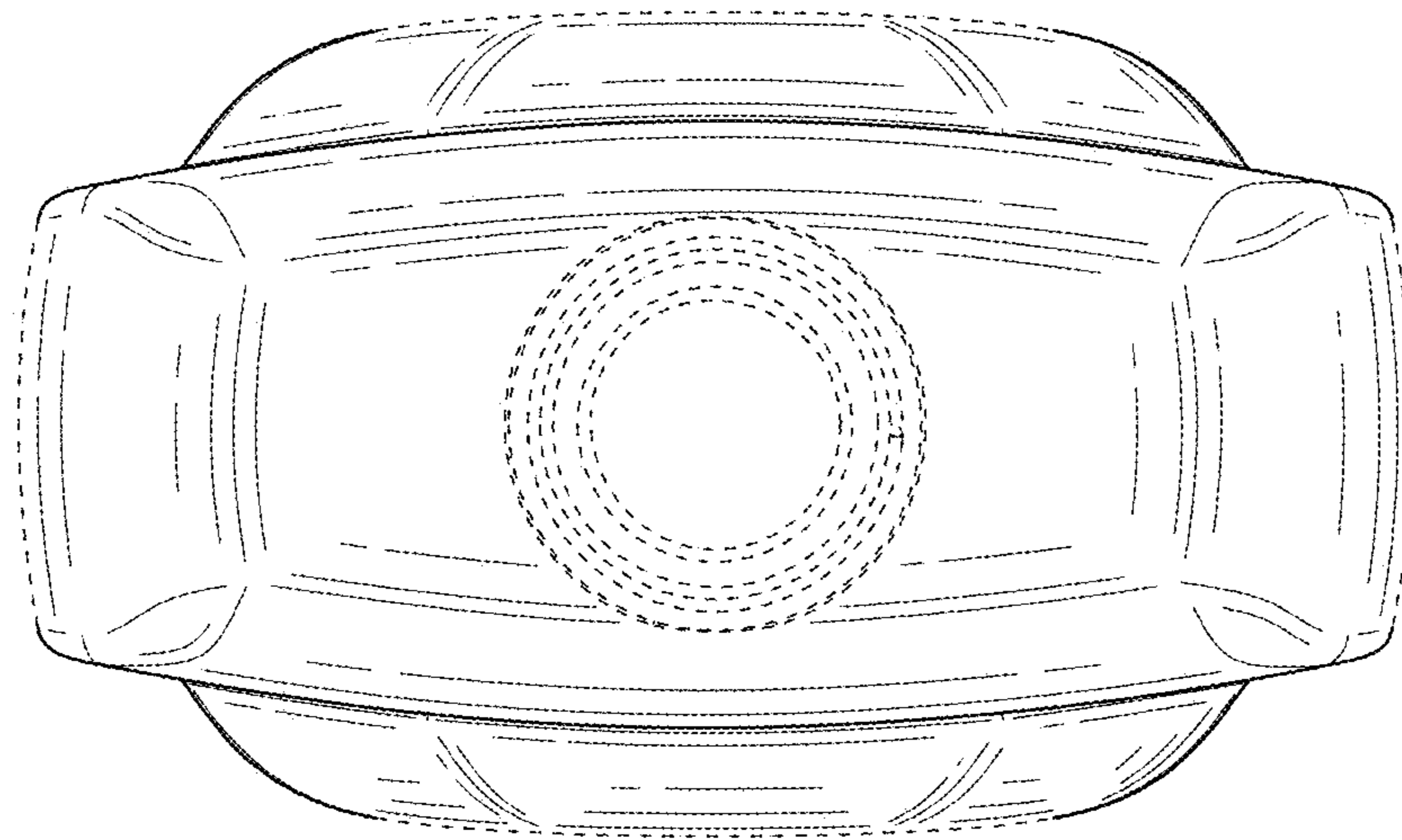


FIG. 7

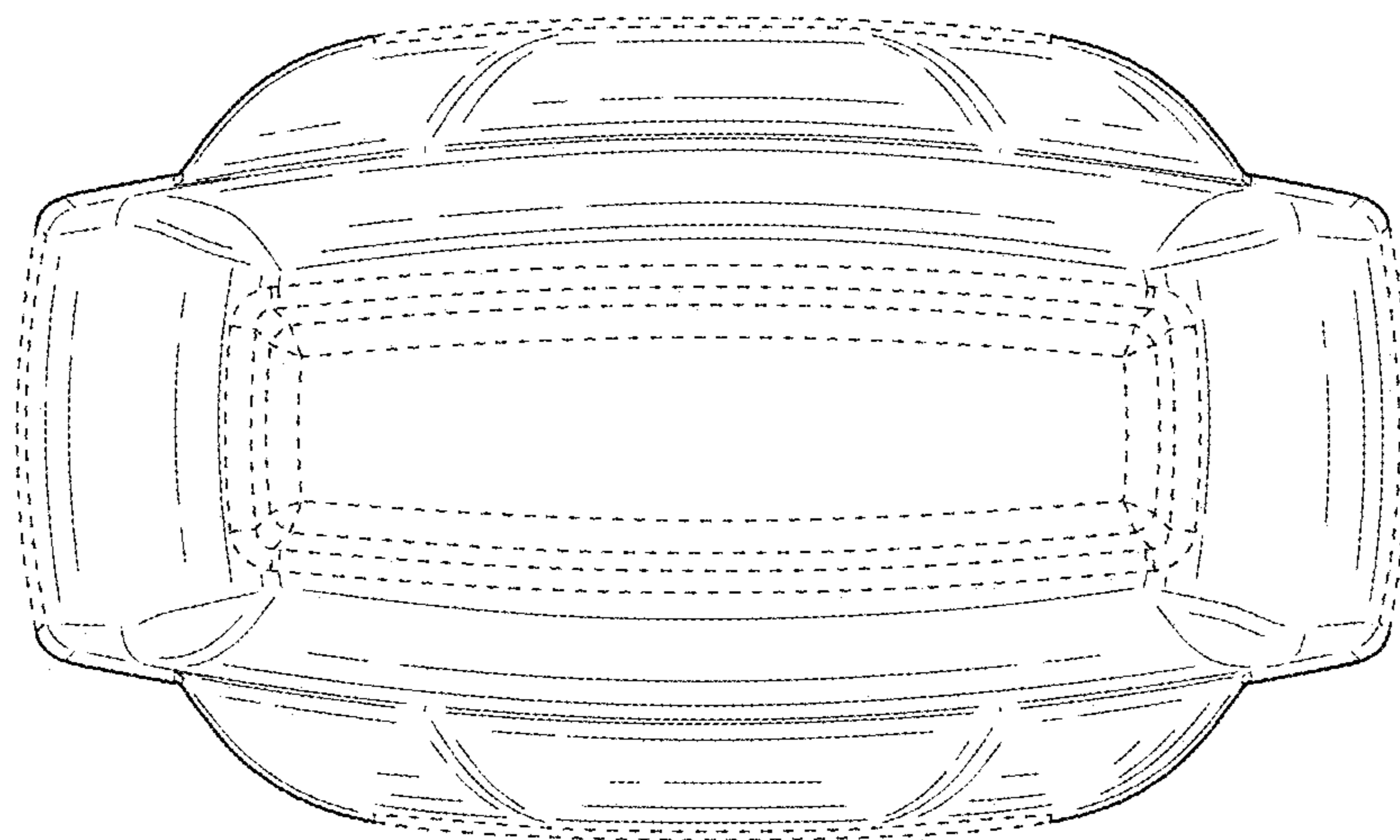


FIG. 8