



US00D942857S

(12) **United States Design Patent**
De Baschmakoff

(10) **Patent No.:** **US D942,857 S**

(45) **Date of Patent:** **** Feb. 8, 2022**

(54) **FRAGRANCE BOTTLE CAP**

(71) Applicant: **J. Choo Limited**, London (GB)

(72) Inventor: **Thierry De Baschmakoff**, Paris (FR)

(73) Assignee: **J. Choo Limited**, London (GB)

(**) Term: **15 Years**

(21) Appl. No.: **29/714,230**

(22) Filed: **Nov. 21, 2019**

(30) **Foreign Application Priority Data**

Aug. 29, 2019 (EM) 006781902-0004

(51) **LOC (13) Cl.** **09-07**

(52) **U.S. Cl.**
USPC **D9/452**

(58) **Field of Classification Search**

USPC D7/509, 510, 511, 624.1, 387, 391, 392,
D7/392.1, 393, 396.1, 396.2; D9/434,
D9/435, 439, 445, 447, 454, 438, 440,
D9/443, 452, 453; D23/259, 260, 261,
D23/209, 210; D24/162, 127; D28/76,
D28/85, 91.1

CPC ... B65D 1/00; B65D 1/02; B65D 1/10; B65D
1/46; B65D 2585/56; B65D 2585/545;
B65D 41/00; B65D 41/38; B65D 41/56;
B65D 41/62; B65D 47/00; B65D 47/06;
B65D 47/08; B65D 23/00; B65D
51/1694; B65D 43/0212; B65D 43/0208;
B65D 2543/00046; B65D 2543/00092;
B65D 1/24; B65D 25/04; B65D 43/09;
B65D 43/16; A61J 1/00; A61J 1/1412;
A61J 1/02

See application file for complete search history.

(56) **References Cited**

U.S. PATENT DOCUMENTS

D144,101 S * 3/1946 Botelho D28/85
D478,004 S * 8/2003 Cummings D9/435

D756,776 S * 5/2016 Orset D9/452
D799,976 S * 10/2017 Maier D9/550
D839,733 S * 2/2019 Pinard D9/452
D839,734 S * 2/2019 Pinard D9/452
D841,394 S * 2/2019 Simmons D7/396.2
D850,913 S * 6/2019 Ke D9/452
D883,783 S * 5/2020 Pinard D9/452
D886,608 S * 6/2020 Pinard D9/452
D889,263 S * 7/2020 Scharf D9/452

(Continued)

OTHER PUBLICATIONS

Jimmy Choo Urban Hero: Announced May 25, 2020 [online]. Site Visited [May 17, 2021]. Available from Internet URL: https://www.amazon.com/JIMMY-CHOO-Jimmy-Urban-Parfum/dp/B07VZXMDTW/ref=cm_cr_arp_d_product_top?ie=UTF8&th=1.*

Primary Examiner — Catherine S Posthauer

(74) *Attorney, Agent, or Firm* — Fross Zelnick Lehrman & Zissu, P.C.; Lawrence E. Apolzon, Esq.

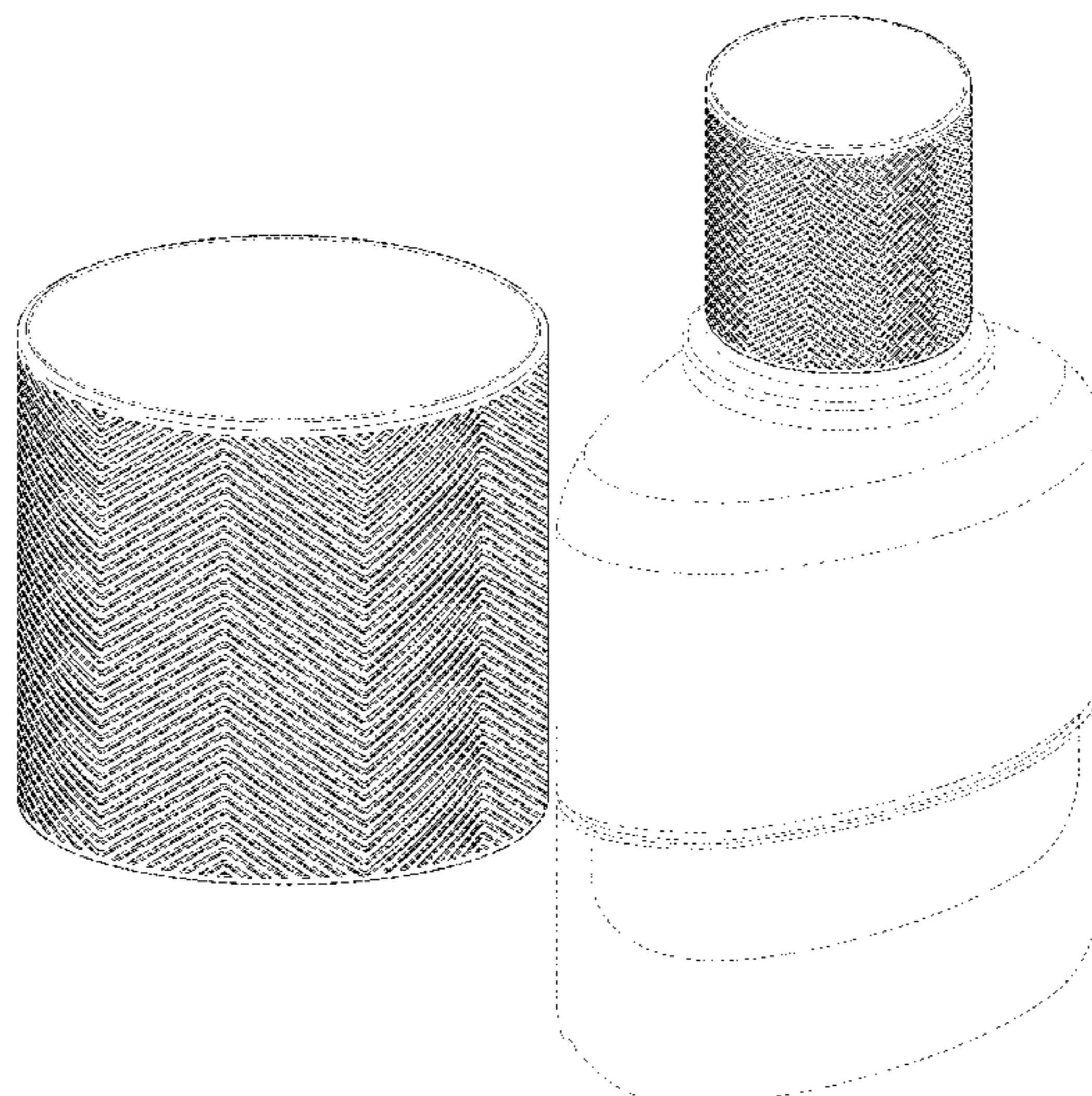
(57) **CLAIM**

The ornamental design for a fragrance bottle cap, as shown and described.

DESCRIPTION

FIG. 1 is a front perspective view of a fragrance bottle cap showing my new design;
FIG. 2 is a front view thereof;
FIG. 3 is a back view thereof;
FIG. 4 is a left side view thereof;
FIG. 5 is a right side view thereof;
FIG. 6 is a top view thereof;
FIG. 7 is a bottom view thereof; and,
FIG. 8 is a front perspective view of the fragrance bottle cap shown in FIG. 1 in the environment of a bottle.
The broken lines are shown for the purpose of illustrating both parts of the article as well as environmental subject matter of an exemplary fragrance bottle. None of the broken lines form part of the claimed design.

1 Claim, 7 Drawing Sheets



(56)

References Cited

U.S. PATENT DOCUMENTS

D894,004 S *	8/2020	Aboabdo	D9/503
D896,078 S *	9/2020	Kerkvliet	D9/441
D908,494 S *	1/2021	Wanders	D9/452
D911,171 S *	2/2021	Wanders	D9/452
D914,503 S *	3/2021	Aboabdo	D9/503

* cited by examiner

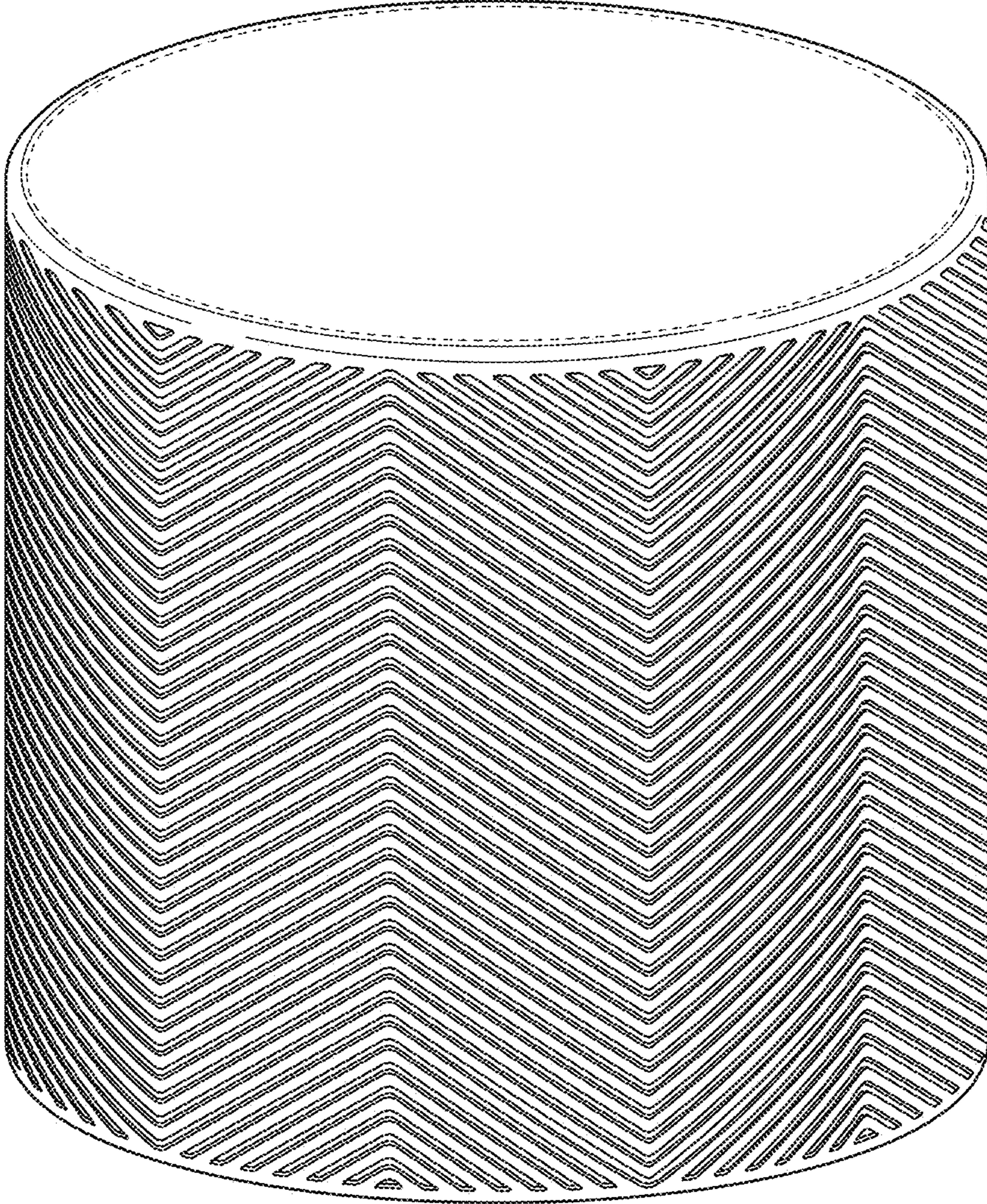


FIG. 1

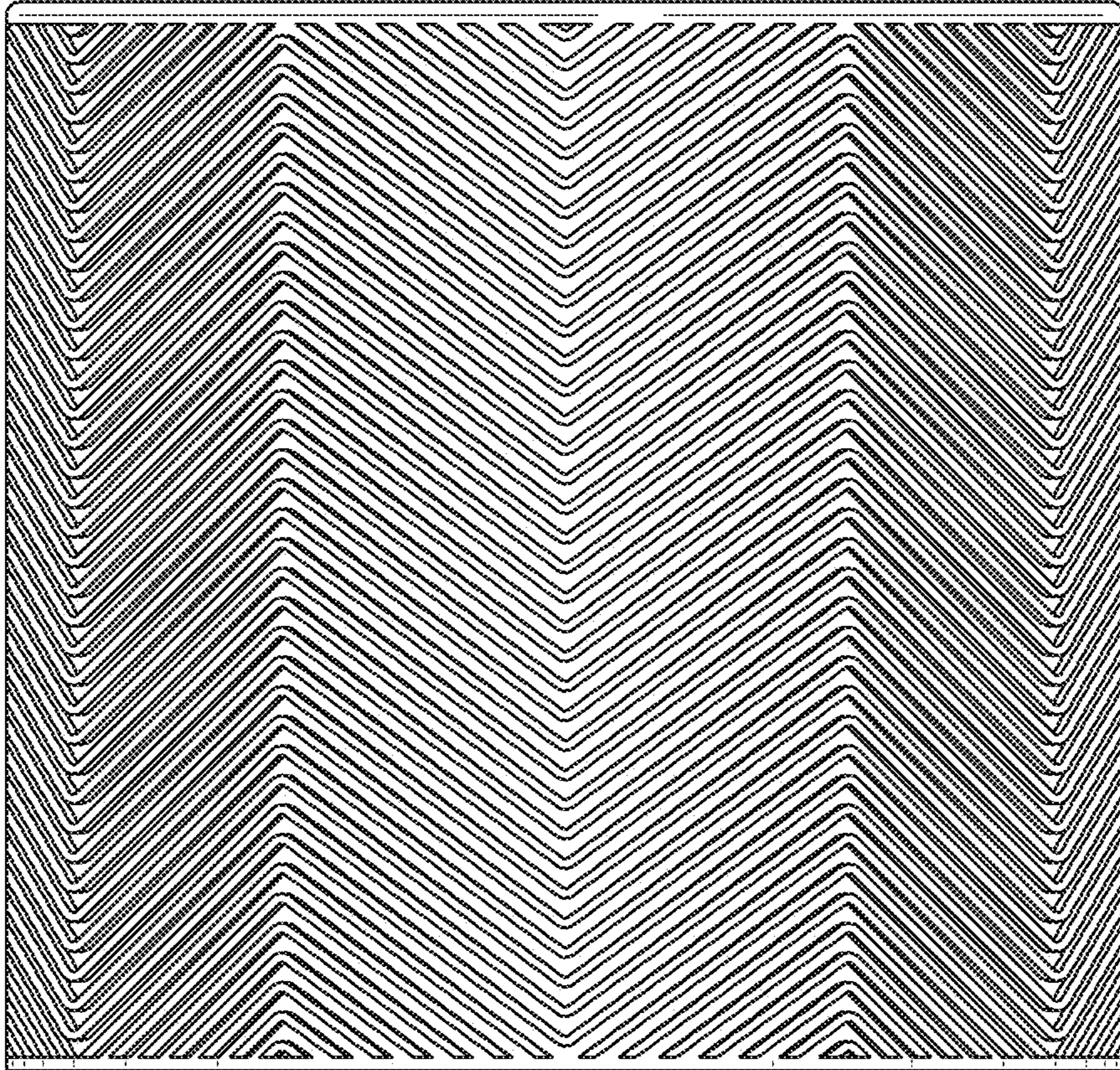


FIG. 2

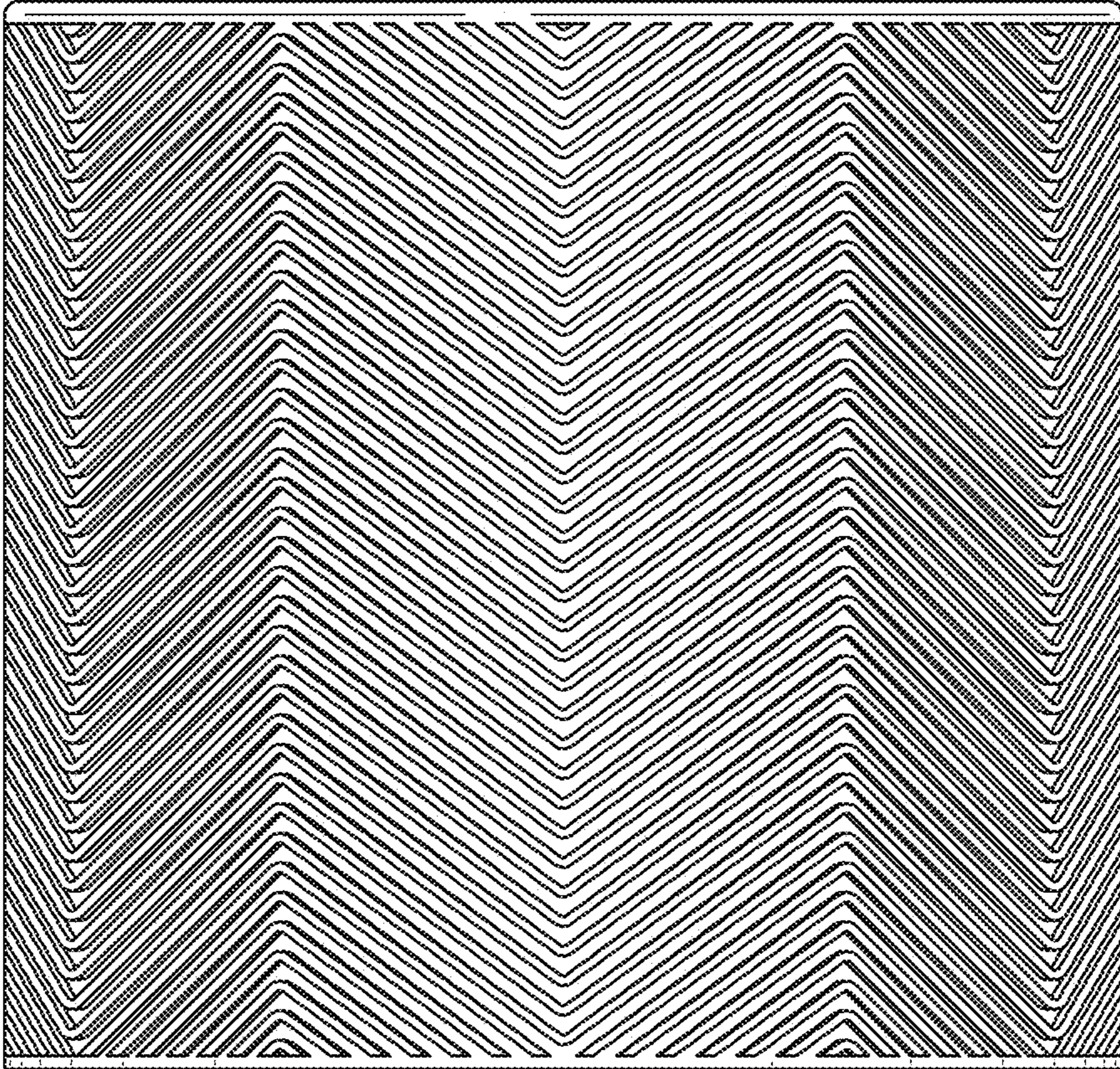


FIG. 3

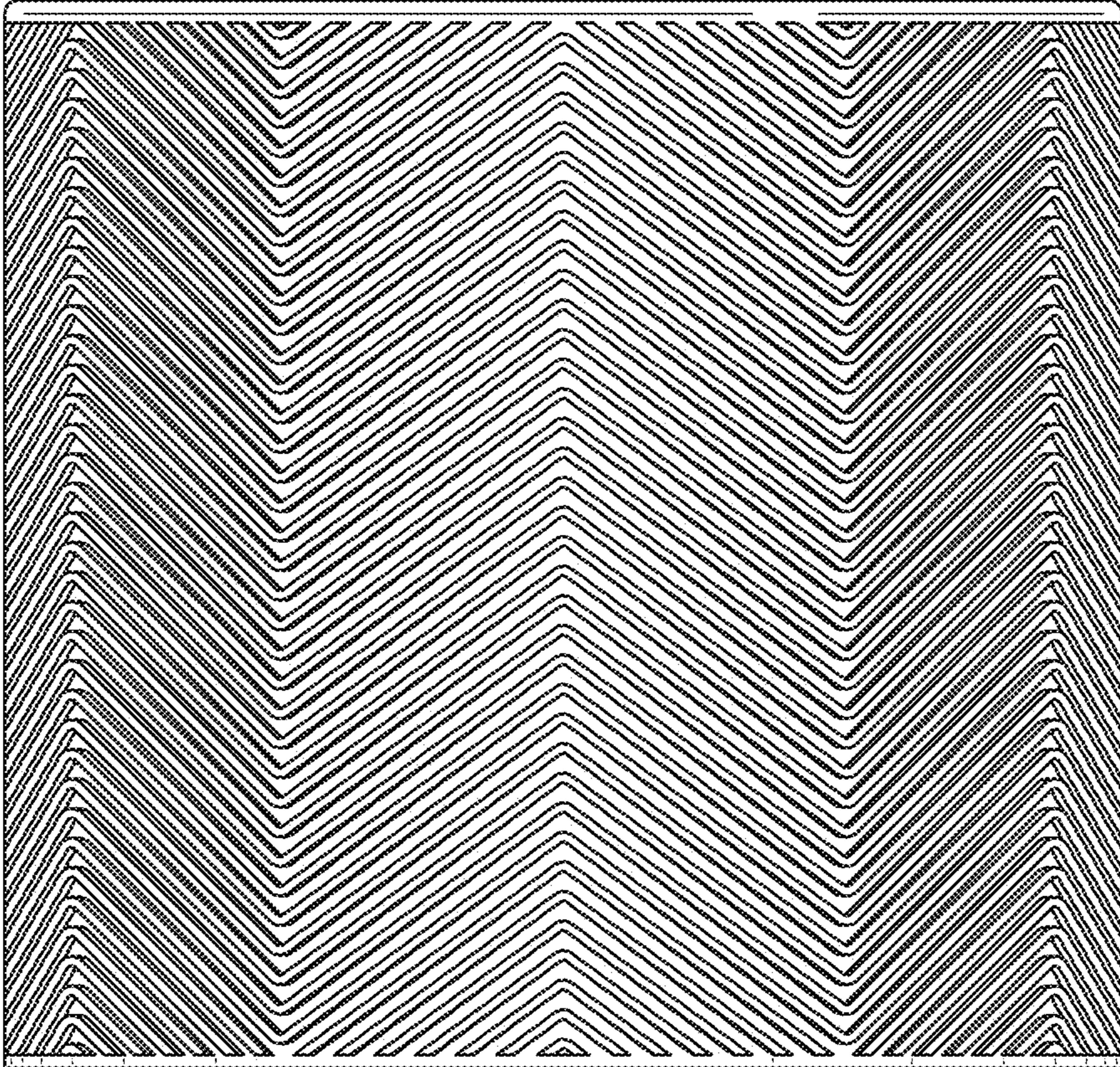


FIG. 4

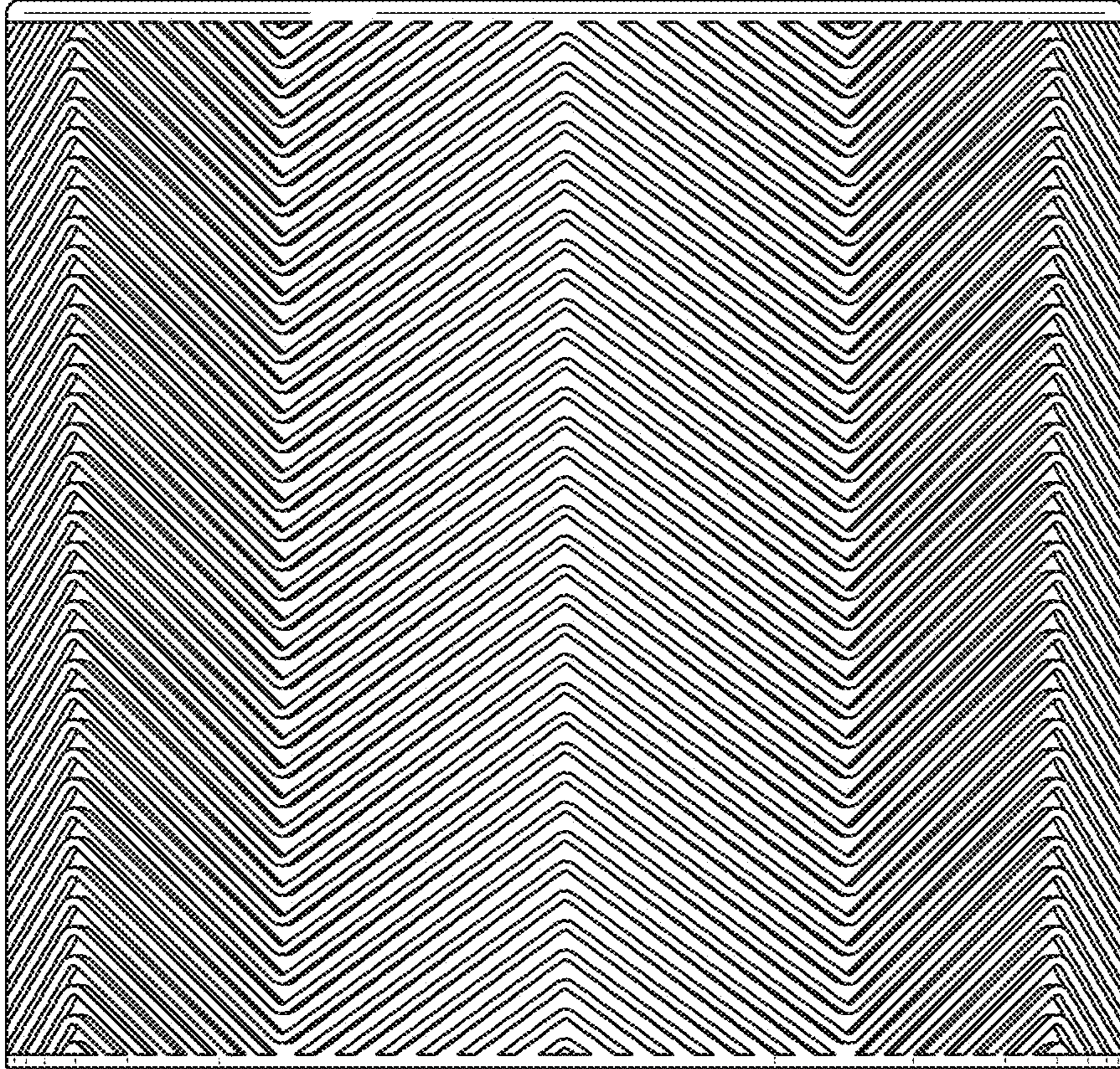


FIG. 5

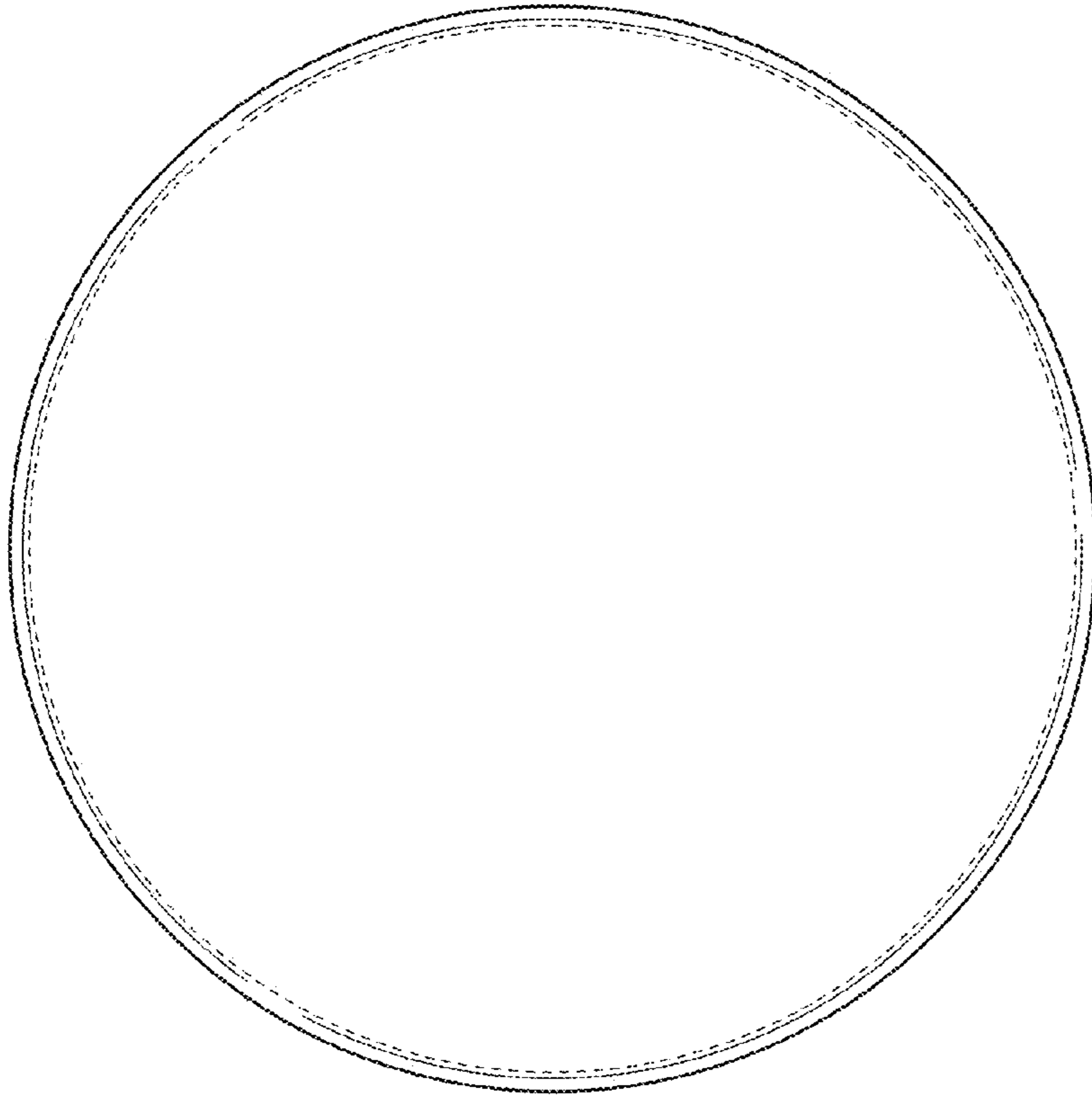


FIG. 6

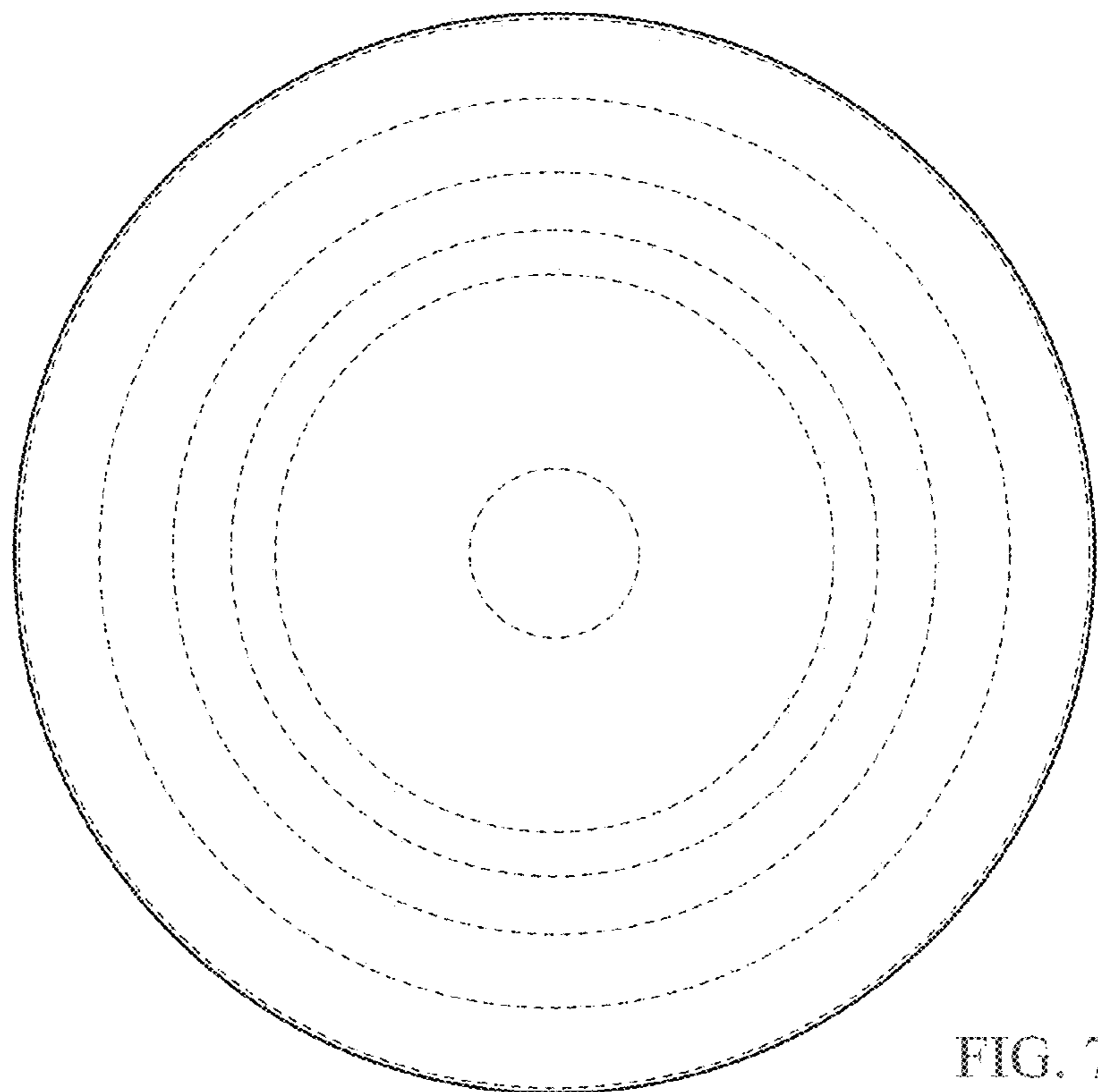


FIG. 7

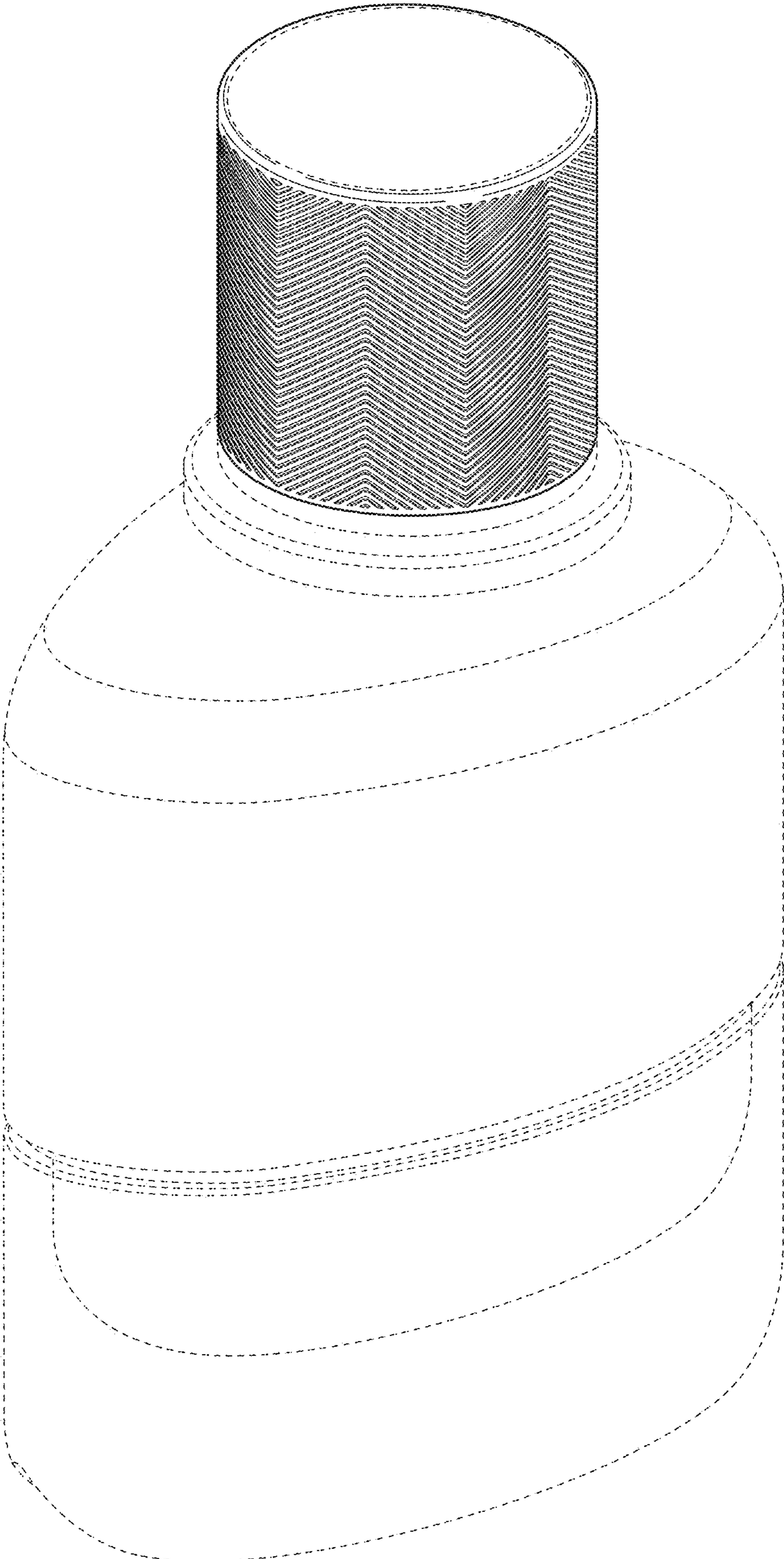


FIG. 8