



US00D942856S

(12) **United States Design Patent** (10) **Patent No.:** **US D942,856 S**
Elarde et al. (45) **Date of Patent:** **** Feb. 8, 2022**

(54) **BEVERAGE CUP LID HAVING A
CONDIMENT CONTAINER RECEPTACLE
SET**

(71) Applicants: **Nicole Elarde**, Commack, NY (US);
Justin Macari, St. James, NY (US);
John Elarde, II, Commack, NY (US);
John Elarde, III, Commack, NY (US);
Joseph Elarde, Commack, NY (US);
Julia Elarde, Commack, NY (US)

(72) Inventors: **Nicole Elarde**, Commack, NY (US);
Justin Macari, St. James, NY (US);
John Elarde, II, Commack, NY (US);
John Elarde, III, Commack, NY (US);
Joseph Elarde, Commack, NY (US);
Julia Elarde, Commack, NY (US)

(**) Term: **15 Years**

(21) Appl. No.: **29/663,370**

(22) Filed: **Sep. 14, 2018**

(51) **LOC (13) Cl.** **09-07**

(52) **U.S. Cl.**
USPC **D9/436**

(58) **Field of Classification Search**
USPC D9/434, 435, 436, 439, 440, 442-457,
D9/499, 503-505, 682, 685, 686;
D7/387, 391, 392, 392.1, 396.1, 396.2,
D7/507, 509-511, 538, 900; D3/202,
D3/203.2, 294, 318; D28/91, 91.1
CPC .. A61J 1/00; A61J 1/1412; B65D 1/00; B65D
1/02; B65D 1/10; B65D 1/46; B65D
5/46; B65D 41/00; B65D 41/38; B65D
41/56; B65D 41/62; B65D 47/00; B65D
47/06; B65D 47/08; B65D 2251/00;
B65D 2543/00046; B65D 2543/00092;
B65D 2543/00296

See application file for complete search history.

(56) **References Cited**

U.S. PATENT DOCUMENTS

D149,317 S *	4/1948	Sonn	D7/553.7
D214,439 S *	6/1969	Wormser	D6/335
D261,465 S *	10/1981	Minchew	D30/130
D267,387 S *	12/1982	Koch	D19/92
4,854,466 A *	8/1989	Lane, Jr.	B65D 25/22 220/23.83
D329,241 S *	9/1992	Carlson	D14/250
D342,455 S *	12/1993	Lown	D10/46.3
D372,842 S *	8/1996	Clery	D7/600
D400,402 S *	11/1998	Petkovich, Jr.	D7/549
D405,610 S *	2/1999	Rasmussen	D9/432
5,915,561 A *	6/1999	Lorenzana	A47G 23/0608 D7/701
D418,719 S *	1/2000	Lillelund	D7/600

(Continued)

Primary Examiner — Wendy L Arminio

(74) *Attorney, Agent, or Firm* — F. Chau & Associates,
LLC

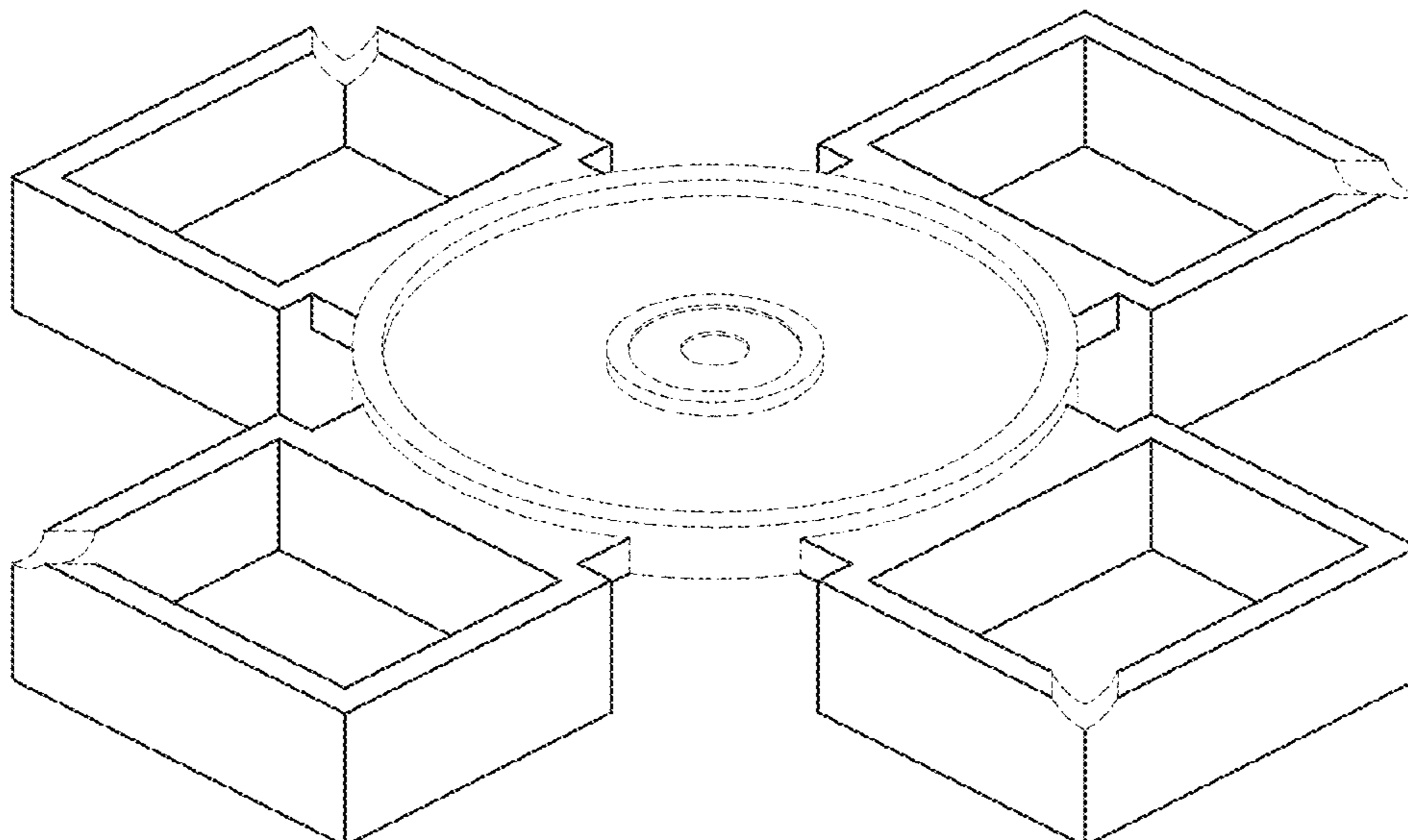
(57) **CLAIM**

The ornamental design for a beverage cup lid having a
condiment container receptacle set, as shown and described.

DESCRIPTION

FIG. 1 is a top plan view of a first embodiment of a beverage
cup lid having a condiment container receptacle set in
accordance with the present invention;
FIG. 2 is a top perspective view thereof;
FIG. 3 is a bottom perspective view thereof;
FIG. 4 is a top plan view of a second embodiment of a
beverage cup lid having a condiment container receptacle set
in accordance with the present invention;
FIG. 5 is a top perspective view thereof; and,
FIG. 6 is a bottom perspective view thereof.
The broken lines shown in the drawings illustrate portions of
the beverage cup lid having a condiment container recep-
tacle set that form no part of the claimed design.

1 Claim, 4 Drawing Sheets



(56)

References Cited

U.S. PATENT DOCUMENTS

D446,698 S *	8/2001	Thomas	D7/701	D848,795 S *	5/2019	Butler	D7/553.6
D447,012 S *	8/2001	Owens	D7/620	D856,802 S *	8/2019	Kassler	D9/436
D447,024 S *	8/2001	Thomas	D7/701	D864,669 S *	10/2019	Kemker	D7/584
D454,785 S *	3/2002	Nance	B65D 25/22	D868,540 S *	12/2019	Kemker	D7/584
				D9/424	10,604,054 B1 *	3/2020	McCarter	A47G 19/18
D459,164 S *	6/2002	Thomas	D7/701	2002/0134781 A1 *	9/2002	Ciarrocchi, Jr. ...	A47G 23/0216	
D459,956 S *	7/2002	Thomas	D7/701				220/23.4	
D466,013 S *	11/2002	Nance	D9/424	2003/0006274 A1 *	1/2003	Lackner	B65D 25/20
D472,145 S *	3/2003	Nottingham	D9/443				229/400	
D480,922 S *	10/2003	Bulcher	D7/553.1	2003/0066776 A1 *	4/2003	Schiltz	B65D 1/36
D516,382 S *	3/2006	King	D7/553.8				206/445	
D588,877 S *	3/2009	DiNovo	D7/590	2004/0031796 A1 *	2/2004	Krueger	B65D 81/3205
D676,714 S *	2/2013	Chen	D7/600				220/23.4	
D711,052 S *	8/2014	Lee	A01K 5/0114	2009/0114649 A1 *	5/2009	Fraser	B65D 25/205
				D30/129				220/23.83	
D731,889 S *	6/2015	Kotyuk	D9/436	2011/0000925 A1 *	1/2011	Okamoto	B60N 3/103
D758,187 S *	6/2016	Kotyuk	D9/436				220/738	
D763,628 S *	8/2016	Griffin	D7/620	2011/0084087 A1 *	4/2011	Scribner	A01G 9/022
D769,131 S *	10/2016	Church	D9/761				220/751	
D769,734 S *	10/2016	Church	D9/756	2012/0061437 A1 *	3/2012	McGuyer	B60N 3/007
D771,443 S *	11/2016	Griffin	D7/620				224/539	
D781,706 S *	3/2017	Kotyuk	D9/436	2013/0200124 A1 *	8/2013	Burwinkel	B60N 3/103
D837,610 S *	1/2019	Maguire	D7/601				224/545	
D838,167 S *	1/2019	Lopynski	D9/435	2018/0044092 A1 *	2/2018	Lemcke	B65D 81/3205
D840,817 S *	2/2019	Zheng	D9/452	2020/0140147 A1 *	5/2020	Gannaway	A47G 19/22
					2020/0163478 A1 *	5/2020	Hill	B65D 67/02

* cited by examiner

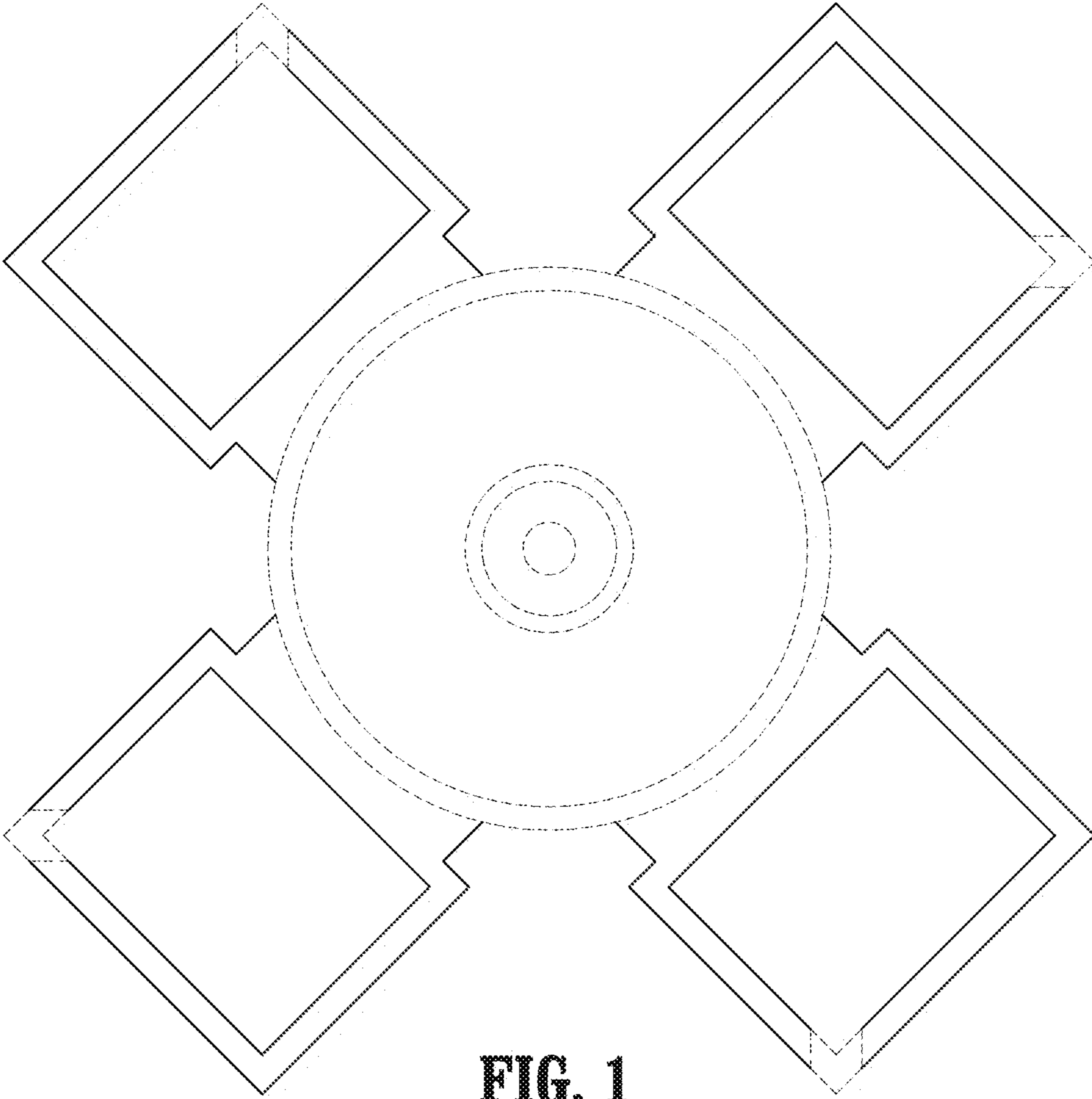


FIG. 1

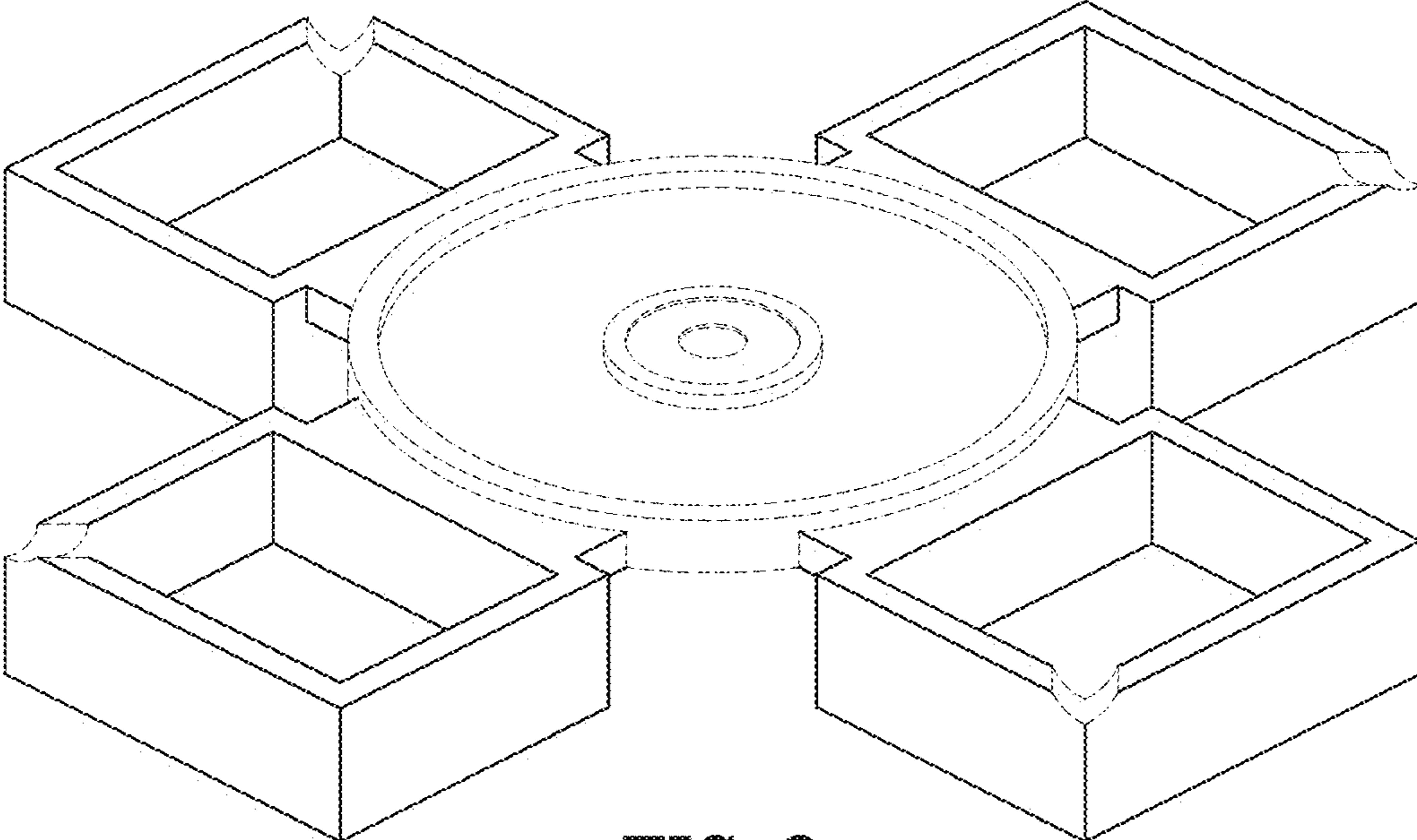


FIG. 2

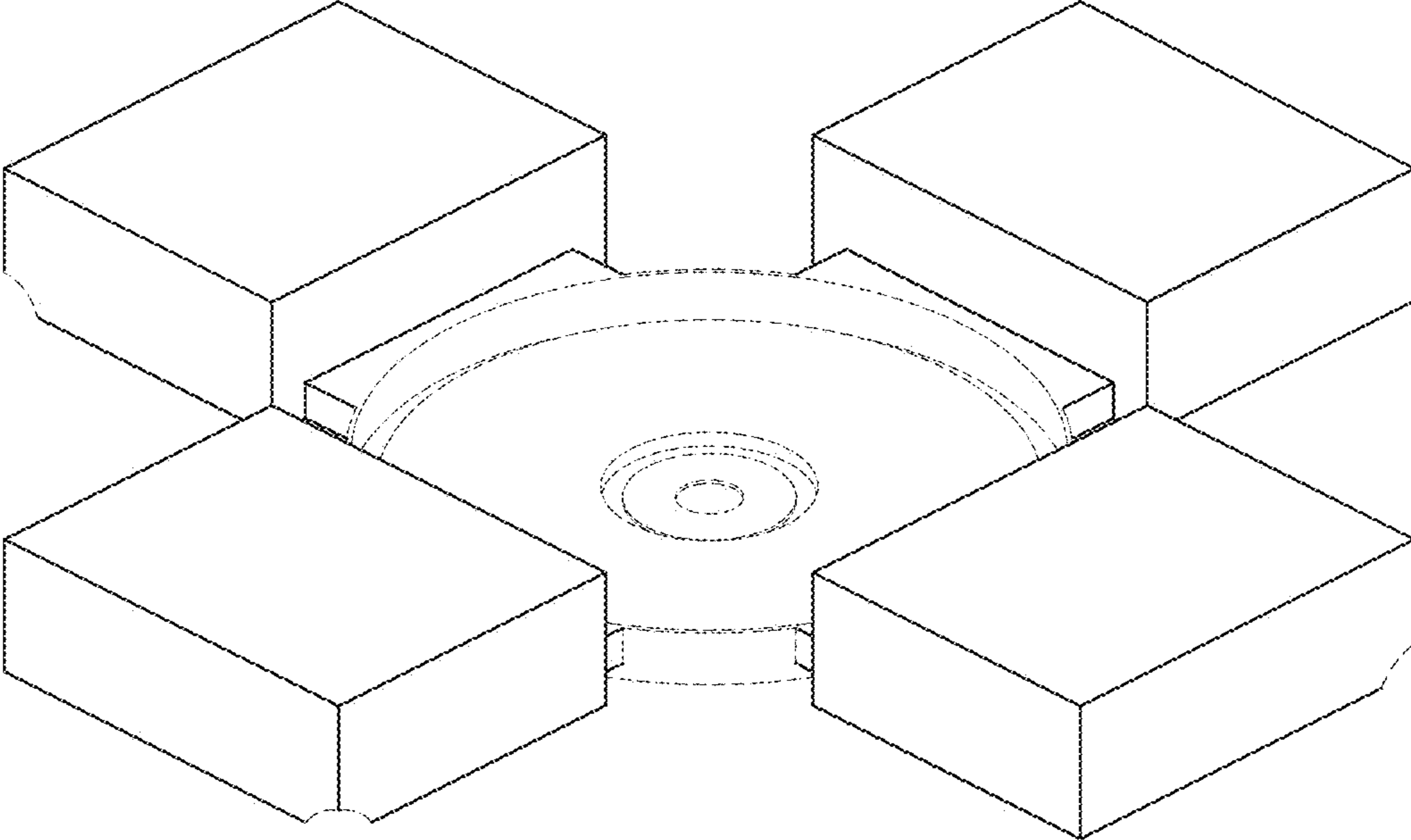


FIG. 3

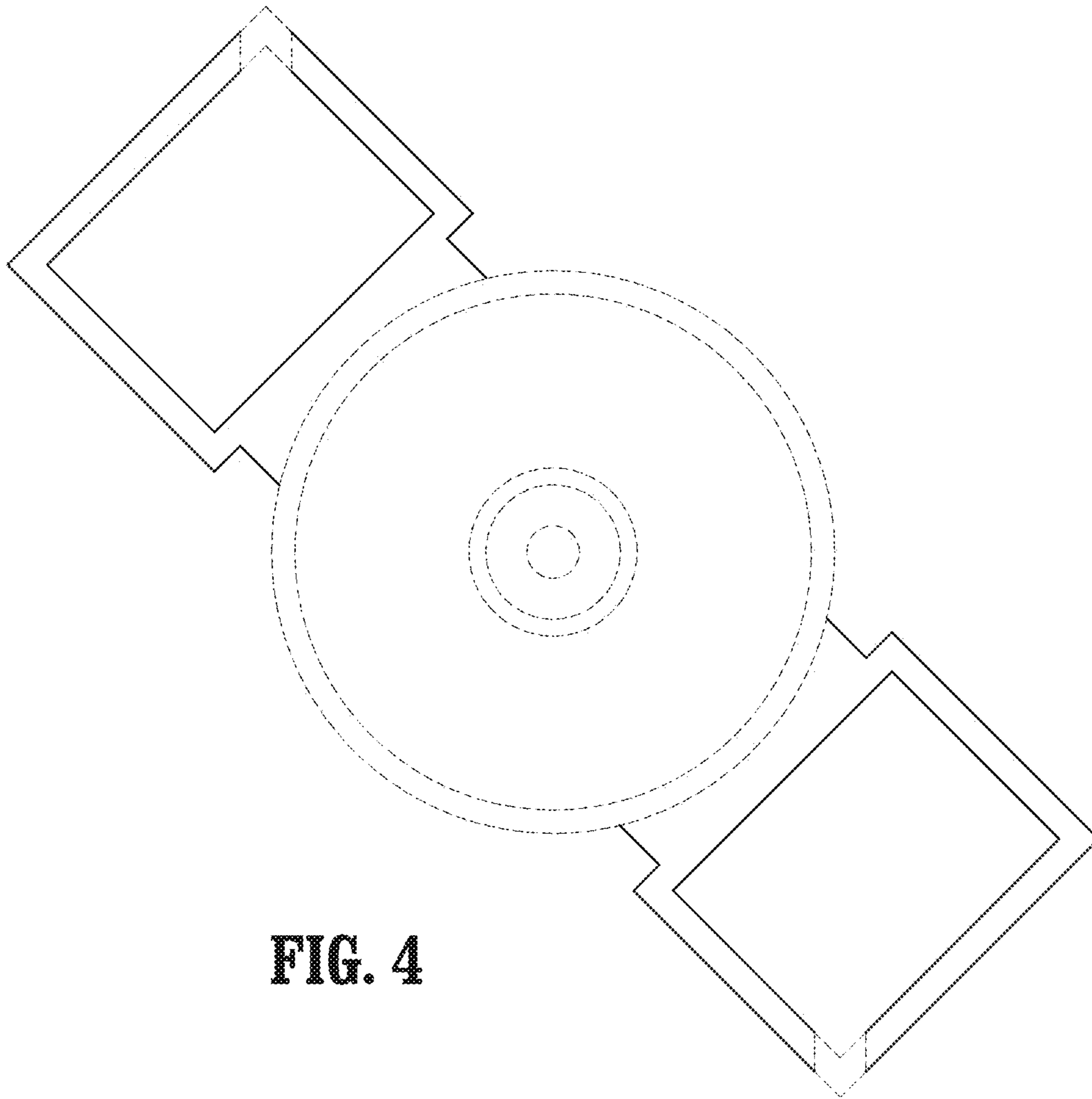


FIG. 4

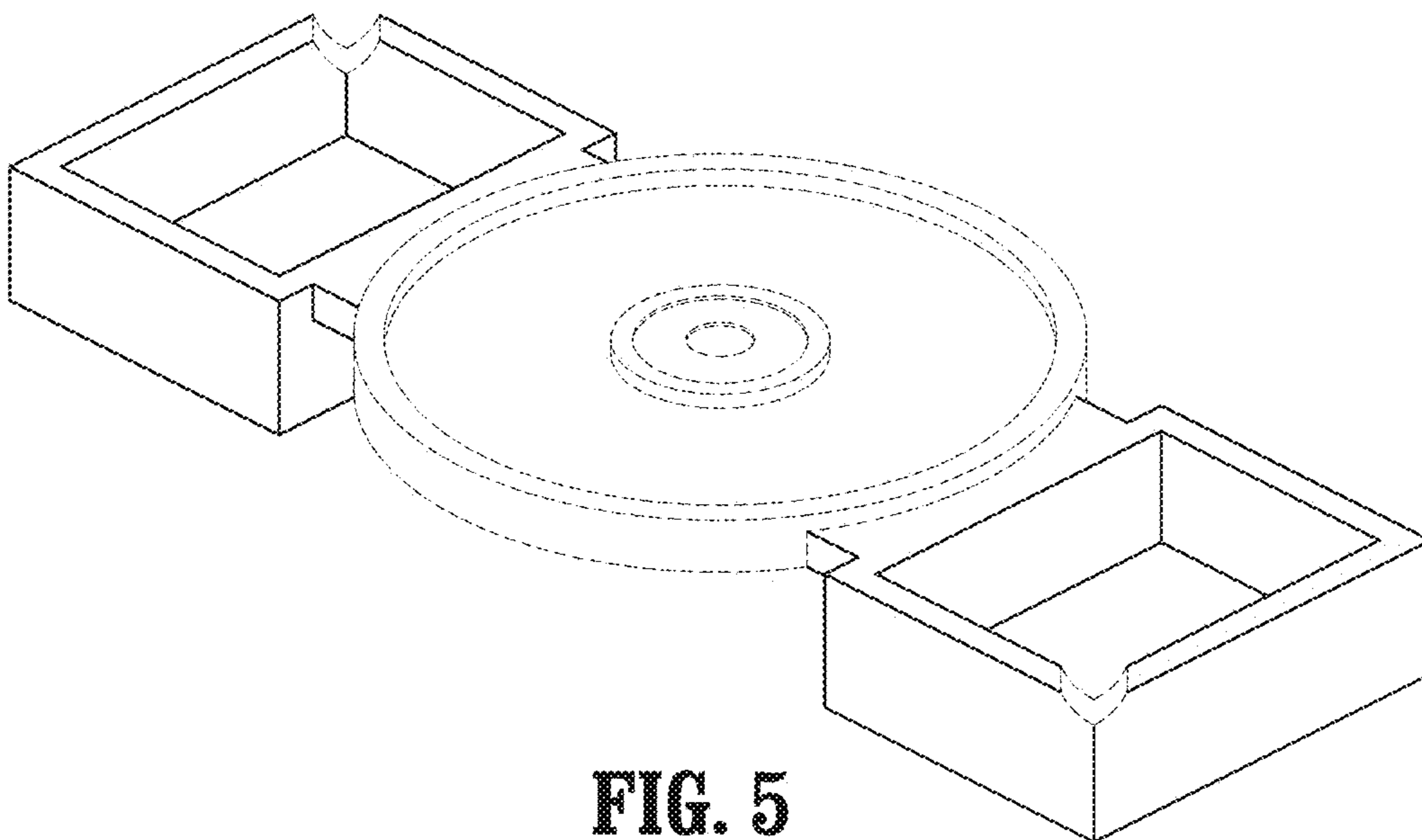


FIG. 5

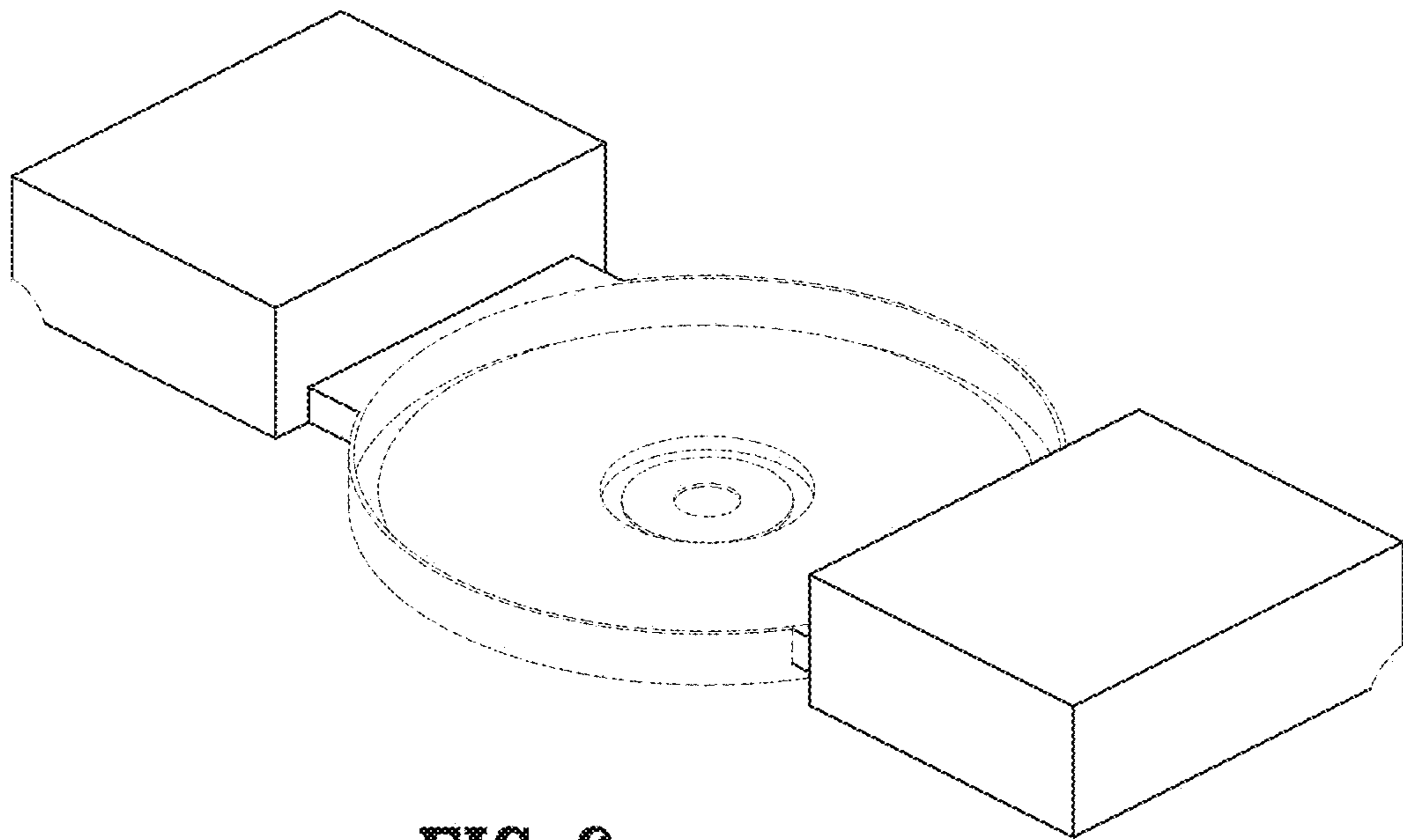


FIG. 6