



US00D942853S

(12) **United States Design Patent** (10) **Patent No.:** **US D942,853 S**  
**Sollie et al.** (45) **Date of Patent:** **\*\* Feb. 8, 2022**

(54) **BOX**

(71) Applicant: **Pratt Corrugated Holdings, Inc.**,  
Conyers, GA (US)

(72) Inventors: **Greg Sollie**, Sharpsburg, GA (US);  
**Shifeng Chen**, Newport News, VA  
(US); **Randy Ball**, Peachtree City, GA  
(US)

(73) Assignee: **Pratt Corrugated Holdings, Inc.**,  
Conyers, GA (US)

(\*\*) Term: **15 Years**

(21) Appl. No.: **29/705,472**

(22) Filed: **Sep. 12, 2019**

(51) **LOC (13) Cl.** ..... **09-03**

(52) **U.S. Cl.**  
USPC ..... **D9/432**

(58) **Field of Classification Search**  
USPC ..... D9/414, 416, 419, 424, 426, 430, 432,  
D9/433, 705; D3/272, 273, 299  
(Continued)

(56) **References Cited**

U.S. PATENT DOCUMENTS

2,692,721 A 10/1954 Pennebaker et al.  
D196,883 S \* 11/1963 Robinson ..... D9/416  
(Continued)

FOREIGN PATENT DOCUMENTS

DE 10136111 2/2003  
DE 102012007800 10/2013  
EP 3446996 2/2019

OTHER PUBLICATIONS

Sollie, Greg; Non-Final Office Action for U.S. Appl. No. 16/568,714,  
filed Sep. 12, 2019, dated Jun. 8, 2020, 17 pgs.

(Continued)

*Primary Examiner* — Catherine S Posthauer  
*Assistant Examiner* — Riah D Buchanan  
(74) *Attorney, Agent, or Firm* — Taylor English Duma  
LLP

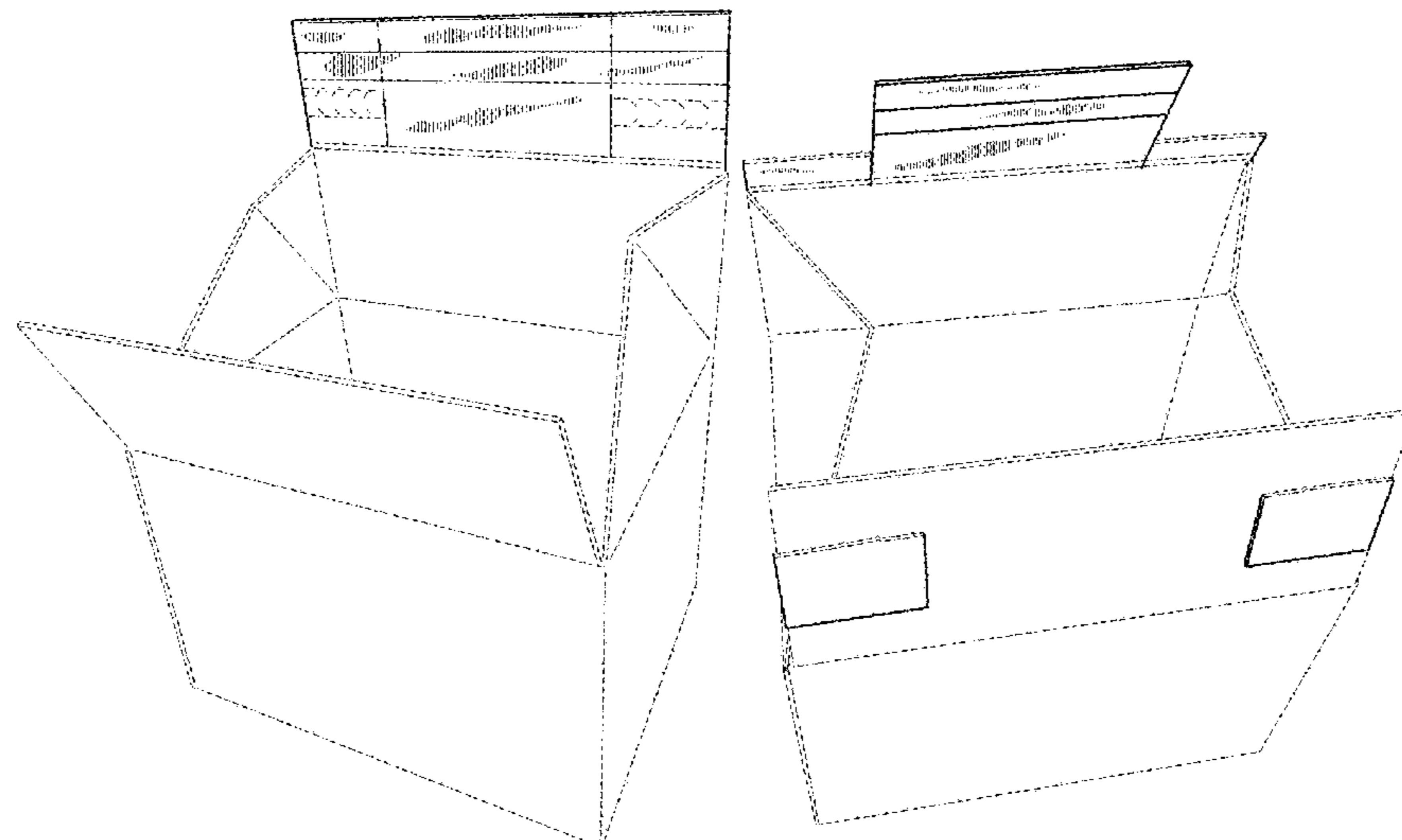
(57) **CLAIM**

We claim the ornamental design for a box, as shown and  
described.

**DESCRIPTION**

FIG. 1 is a top plan view of a box.  
FIG. 2 is a top left perspective view of the claimed design.  
FIG. 3 is a front right perspective view of the claimed design  
in an open configuration.  
FIG. 4 is a right side elevation view thereof in a closed  
configuration, which is a mirror image of a left side eleva-  
tion view thereof.  
FIG. 5 is a front elevation view thereof in the closed  
configuration.  
FIG. 6 is a rear elevation view thereof in the closed  
configuration.  
FIG. 7 is a top plan view thereof in the closed configuration.  
FIG. 8 is a bottom plan view thereof in the closed configu-  
ration.  
FIG. 9 is a perspective view of the claimed design in a folded  
configuration.  
FIG. 10 is a top left perspective view of the claimed design  
with a tear strip partially removed.  
FIG. 11 is a top perspective view of the claimed design in an  
open configuration after removal of a pair of tear strips.  
FIG. 12 is a detail view of the claimed design in a position  
of use, with an exemplary piece of adhesive backing, shown  
partially removed; and,  
FIG. 13 is a perspective view of the claimed design in a  
closed configuration after removal of a pair of tear strips.  
The broken lines are shown for the purpose of illustrating  
both parts of the article that form no part of the claim, as well  
as environmental subject matter. None of the broken lines  
form part of the claimed design.

**1 Claim, 13 Drawing Sheets**



(58) **Field of Classification Search**

CPC ..... B65D 5/46; B65D 5/0227; B65D 5/4266;  
 B65D 5/54; B65D 5/546; B65D 5/02;  
 B65D 2543/00425; B65D 27/14  
 See application file for complete search history.

(56) **References Cited**

U.S. PATENT DOCUMENTS

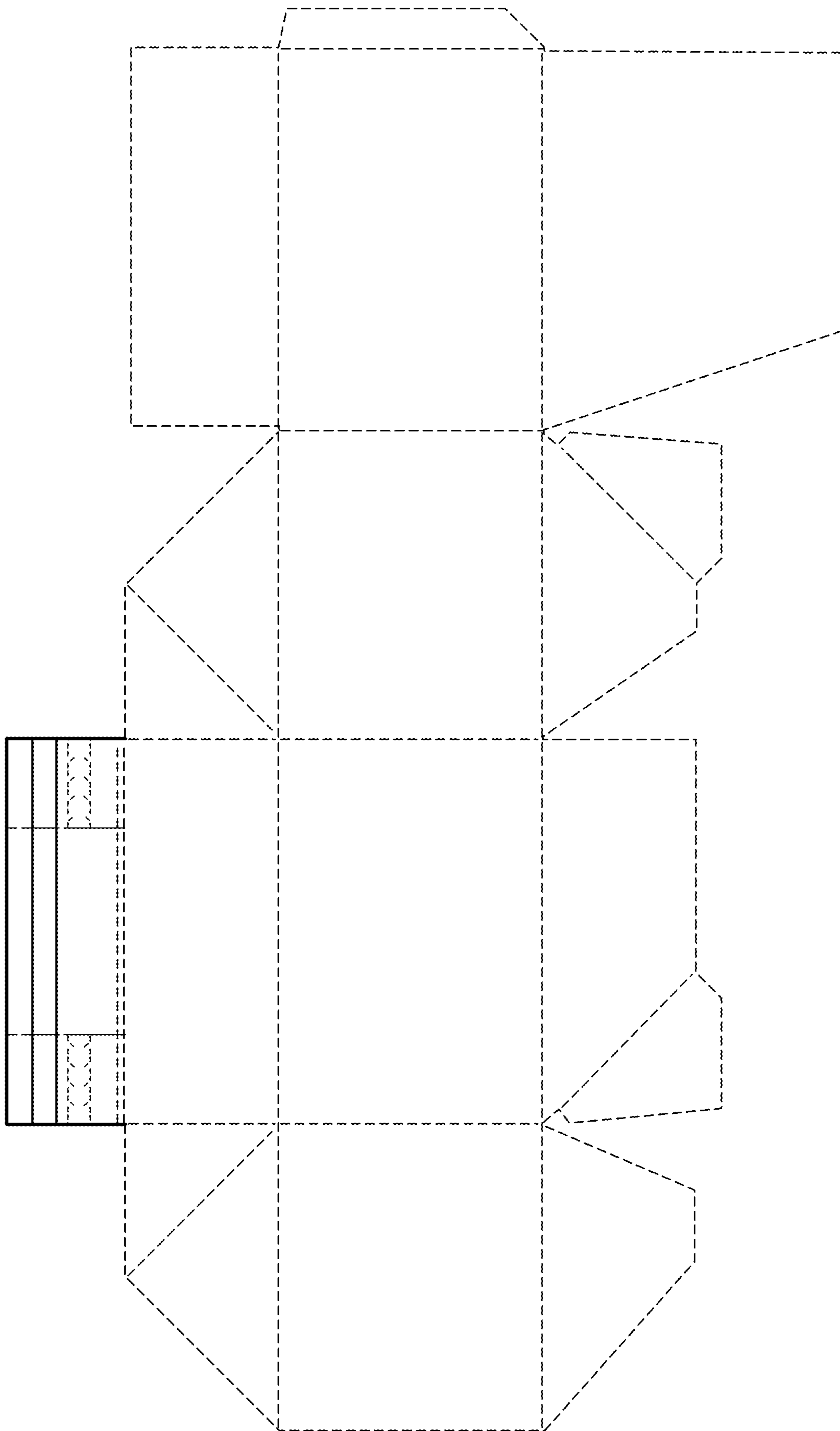
|            |      |         |                  |                          |
|------------|------|---------|------------------|--------------------------|
| 3,295,741  | A *  | 1/1967  | Meyers .....     | B65D 75/14<br>229/103.3  |
| 3,306,521  | A    | 2/1967  | Giacovas         |                          |
| 3,711,012  | A *  | 1/1973  | Cytron .....     | B42D 15/08<br>229/92.7   |
| 3,758,023  | A *  | 9/1973  | Meyers .....     | B65D 5/546<br>229/227    |
| 3,833,165  | A *  | 9/1974  | Hoiles .....     | B65D 5/28<br>229/145     |
| 3,938,731  | A    | 2/1976  | Ross et al.      |                          |
| 4,174,041  | A *  | 11/1979 | Turner .....     | B65D 5/0005<br>229/103.3 |
| 4,497,433  | A    | 2/1985  | Wischusen, III   |                          |
| 4,752,028  | A *  | 6/1988  | Ogura .....      | B65D 5/0254<br>206/807   |
| 4,819,807  | A *  | 4/1989  | Giger .....      | B65D 27/38<br>229/313    |
| 4,917,287  | A *  | 4/1990  | Watson .....     | B65D 27/04<br>229/303    |
| D310,633   | S *  | 9/1990  | DePaul .....     | D9/416                   |
| 5,346,121  | A    | 9/1994  | Beales           |                          |
| 5,503,328  | A *  | 4/1996  | Roccaforte ..... | B65D 27/06<br>229/301    |
| D374,282   | S *  | 10/1996 | Hoftman .....    | 206/363                  |
| 7,178,713  | B2 * | 2/2007  | Stude .....      | B65D 27/14<br>229/301    |
| D603,258   | S *  | 11/2009 | Taketomi .....   | D9/432                   |
| 7,891,543  | B2   | 2/2011  | Abel et al.      |                          |
| 8,590,774  | B1 * | 11/2013 | Sauer .....      | B65D 27/14<br>229/239    |
| D707,123   | S *  | 6/2014  | Marchetti .....  | D9/434                   |
| 9,714,112  | B1 * | 7/2017  | Lin .....        | B65D 27/38               |
| D828,763   | S *  | 9/2018  | Tan .....        | D9/705                   |
| 10,099,807 | B2   | 10/2018 | Eisen et al.     |                          |
| 10,279,950 | B2 * | 5/2019  | Chang .....      | B65D 5/062               |
| 10,479,547 | B2 * | 11/2019 | Sumitomo .....   | B65D 5/0254              |
| 10,640,254 | B2 * | 5/2020  | Oostwouder ..... | B65D 5/0005              |
| D887,265   | S *  | 6/2020  | Perella .....    | D9/432                   |
| 10,683,130 | B2 * | 6/2020  | Takeuchi .....   | B65D 5/2047              |

|              |      |         |                    |                           |
|--------------|------|---------|--------------------|---------------------------|
| 10,723,496   | B2 * | 7/2020  | Riswick .....      | B31B 50/72                |
| 10,766,661   | B2 * | 9/2020  | Perella .....      | B31B 50/62                |
| D898,566     | S *  | 10/2020 | Hughes .....       | D9/433                    |
| 10,981,692   | B2   | 4/2021  | Sollie et al.      |                           |
| 2003/0201315 | A1 * | 10/2003 | Jamison .....      | B65D 5/541<br>229/102     |
| 2006/0118605 | A1 * | 6/2006  | Justice .....      | B65D 5/4612<br>229/117.13 |
| 2008/0083822 | A1   | 4/2008  | Benes              |                           |
| 2010/0065620 | A1 * | 3/2010  | Smith .....        | B65D 5/10<br>229/109      |
| 2010/0327048 | A1 * | 12/2010 | Tsai .....         | B65D 5/0005<br>229/200    |
| 2011/0056975 | A1   | 3/2011  | McGillion          |                           |
| 2016/0122069 | A1 * | 5/2016  | Eisen .....        | B65B 11/004<br>206/459.5  |
| 2016/0137335 | A1   | 5/2016  | Mora               |                           |
| 2017/0341802 | A1 * | 11/2017 | Sumitomo .....     | B65D 5/6611               |
| 2018/0105313 | A1   | 4/2018  | Buss               |                           |
| 2018/0170610 | A1 * | 6/2018  | Buss .....         | B65D 5/6661               |
| 2018/0354674 | A1   | 12/2018 | Hodge et al.       |                           |
| 2020/0172317 | A1 * | 6/2020  | Costanzo, Jr. .... | B65D 5/241                |
| 2020/0239177 | A1 * | 7/2020  | Gathercole .....   | B65D 5/0263               |
| 2021/0078755 | A1 * | 3/2021  | Sollie .....       | B65D 5/541                |
| 2021/0155365 | A1   | 5/2021  | Sollie et al.      |                           |

OTHER PUBLICATIONS

Sollie, Greg; Requirement for Restriction/Election for U.S. Appl. No. 16/568,714, filed Sep. 12, 2019, dated May 18, 2020, 6 pgs.  
 Sollie, Greg; Final Office Action for U.S. Appl. No. 16/568,714, filed Sep. 12, 2019, dated Nov. 2, 2020, 10 pgs.  
 Sollie, Greg; Notice of Allowance for U.S. Appl. No. 16/568,714, filed Sep. 12, 2019, dated Nov. 23, 2020, 5 pgs.  
 Creative Cartons; Article entitled: "ColomPac® intelligent packaging—uniquely designed to save you time, materials and a lot of frustration", located at <<https://www.pegasusmediasolutions.com/>>, downloaded and publicly available on Mar. 15, 2019, 5 pgs.  
 Davpack; Article entitled: "ColomPac Premium Instant Base Boxes", located at <https://www.davpack.co.uk/postal-packaging/postal-boxes/instant-base-boxes.htm>>, accessed on Feb. 14, 2020, 1 pg.  
 Youtube; Images of video for ColomPac CP 155 Premium quick base box, located at <<https://www.youtube.com/watch?v=oqw-fGczpS8>>, published on Jul. 30, 2015, 7 pgs.  
 Davpack; Images of ColomPac Premium Instant Base Boxes, publicly available prior to Feb. 12, 2020, 5 pgs.  
 Sollie, Greg; Corrected Notice of Allowance for U.S. Appl. No. 16/568,714, filed Sep. 12, 2019, dated Mar. 15, 2021, 9 pgs.

\* cited by examiner



**FIG. 1**

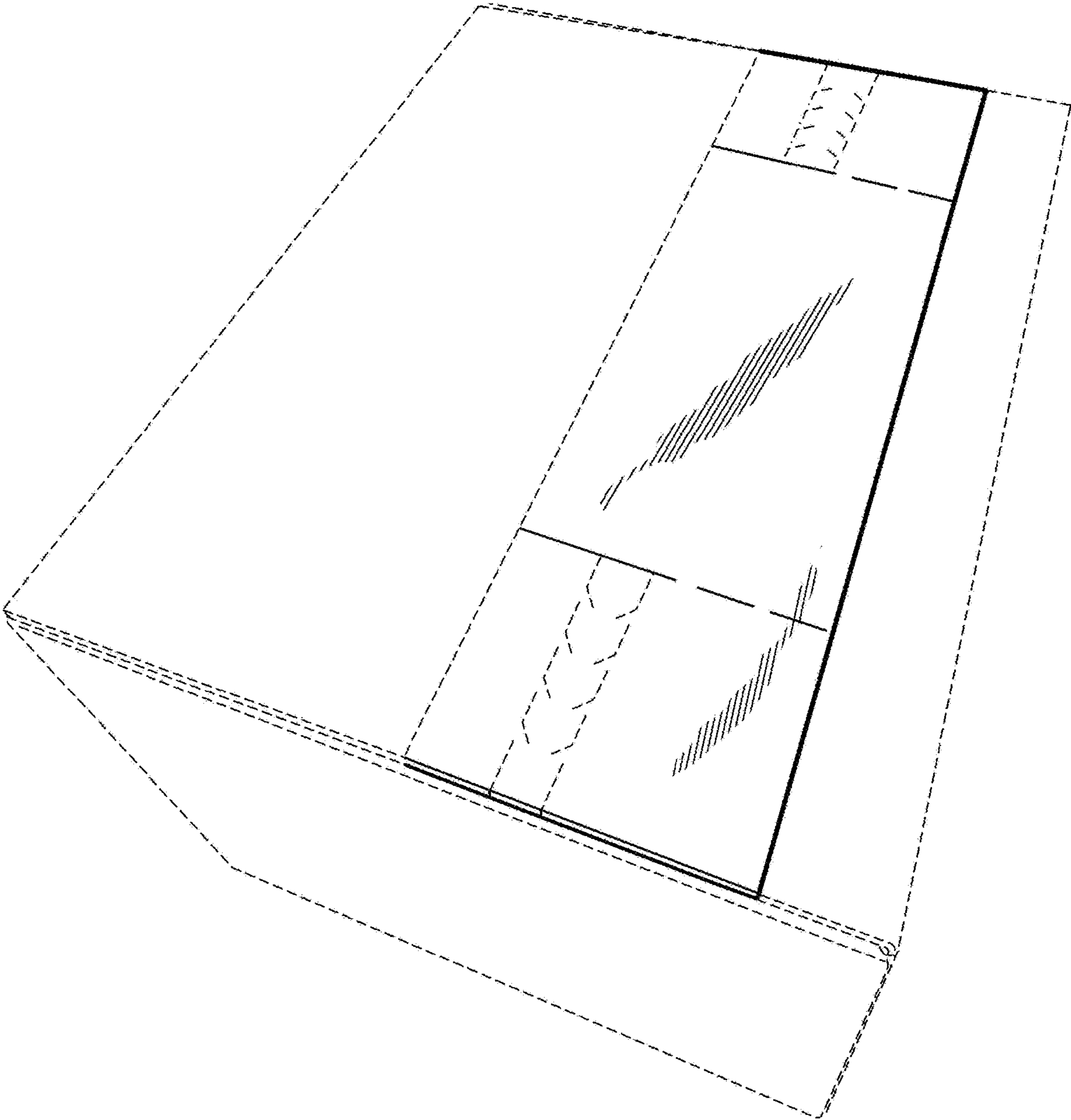
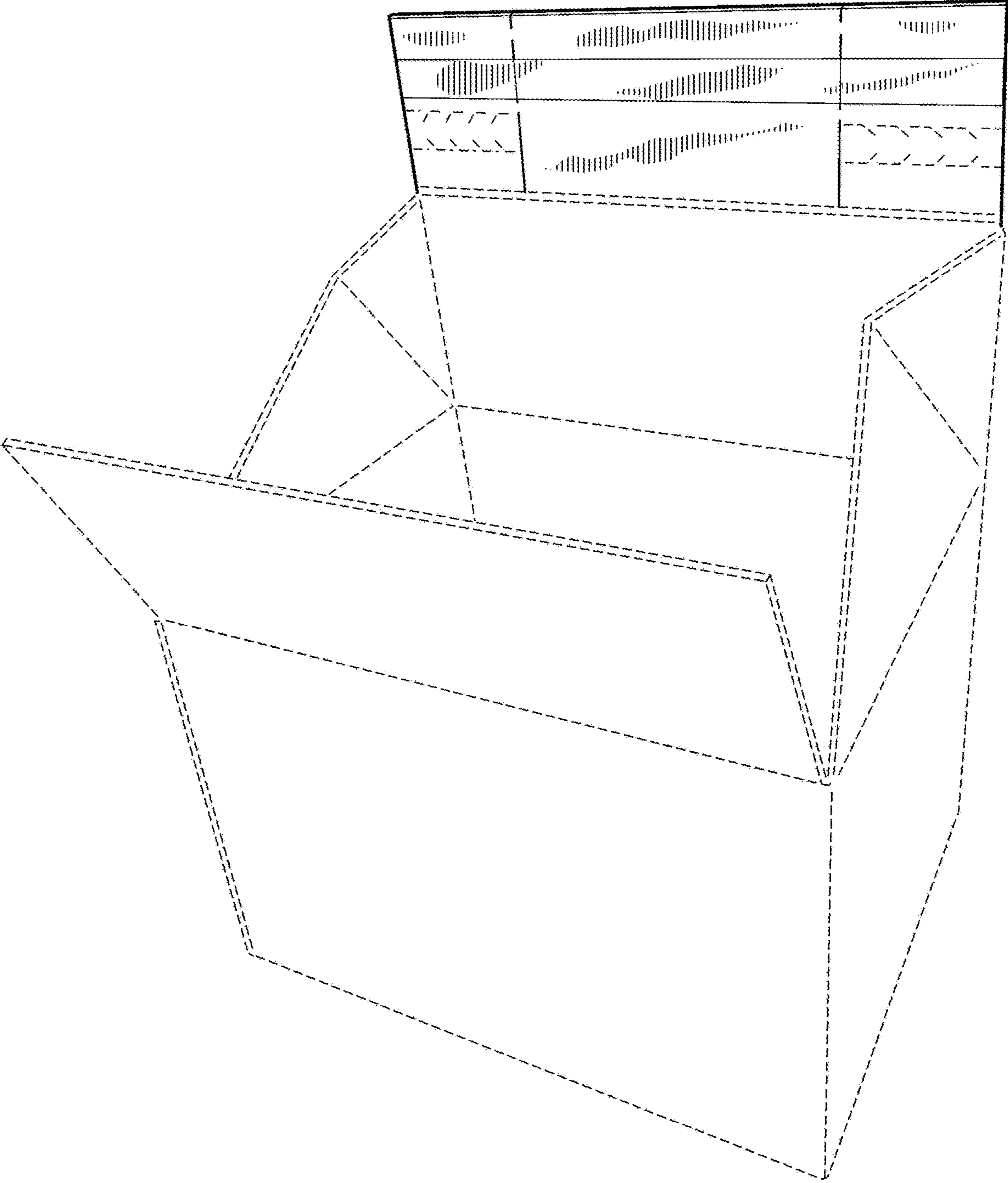


FIG. 2



**FIG. 3**



**FIG. 4**

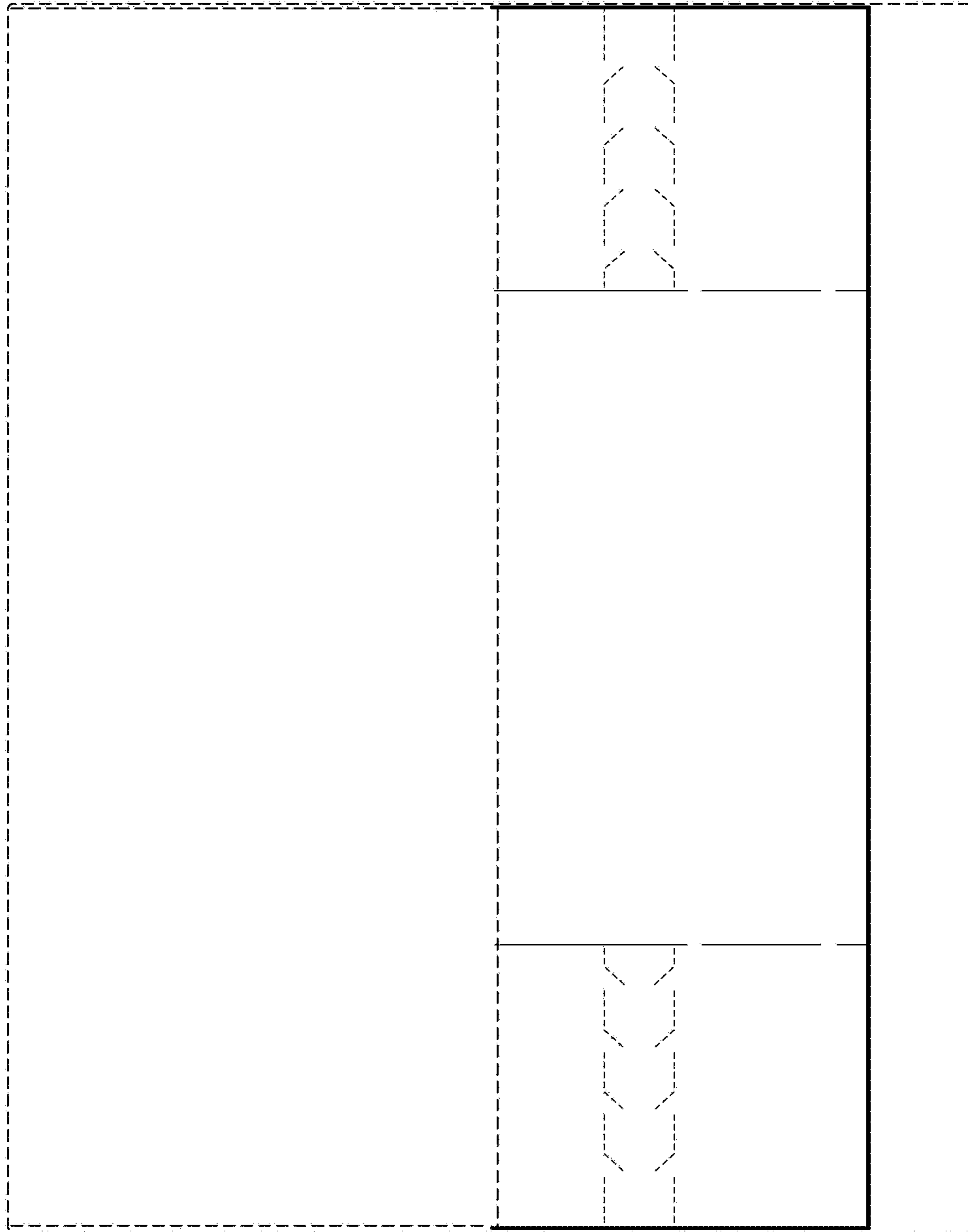


**FIG. 5**

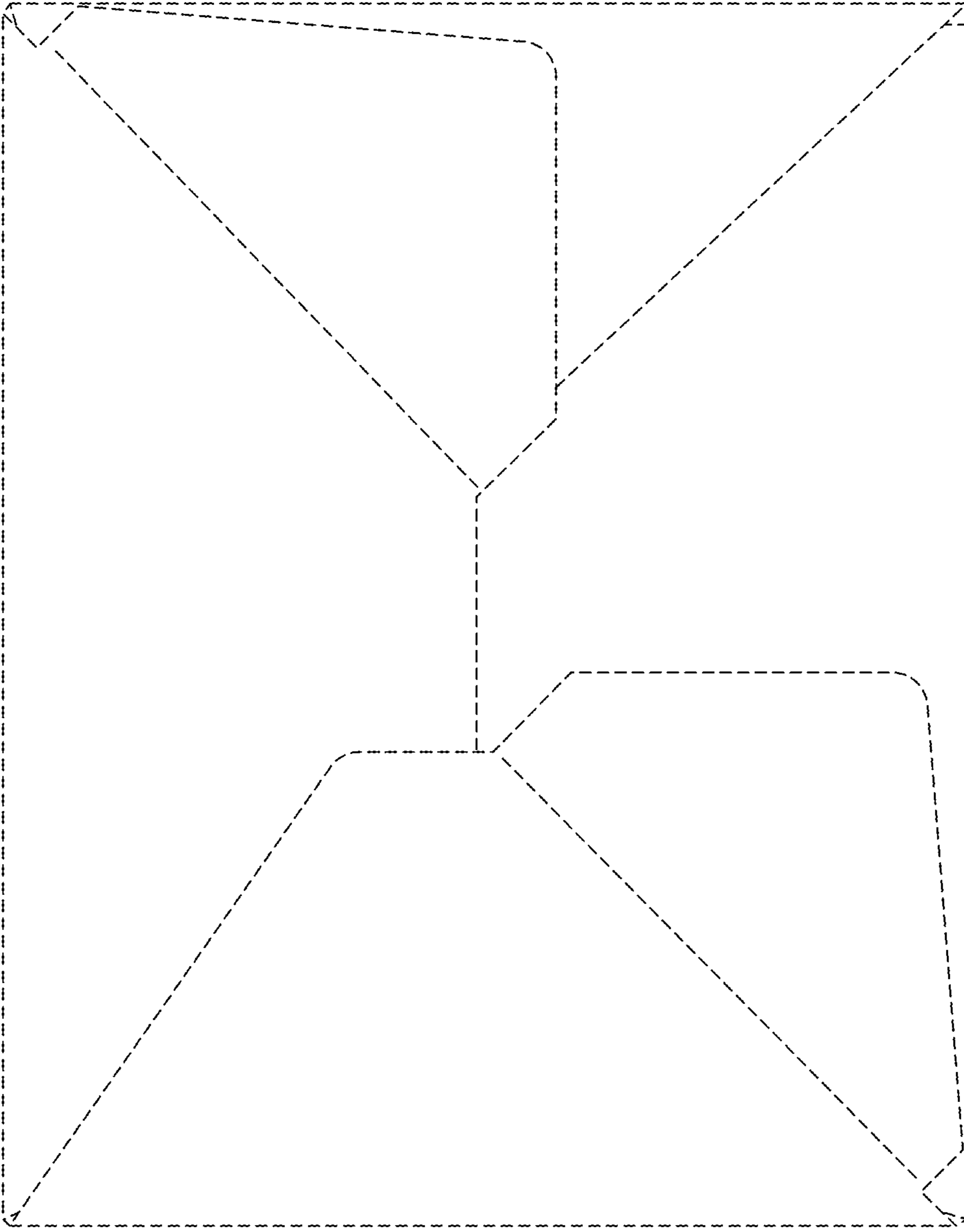


**FIG. 6**





**FIG. 7**



**FIG. 8**

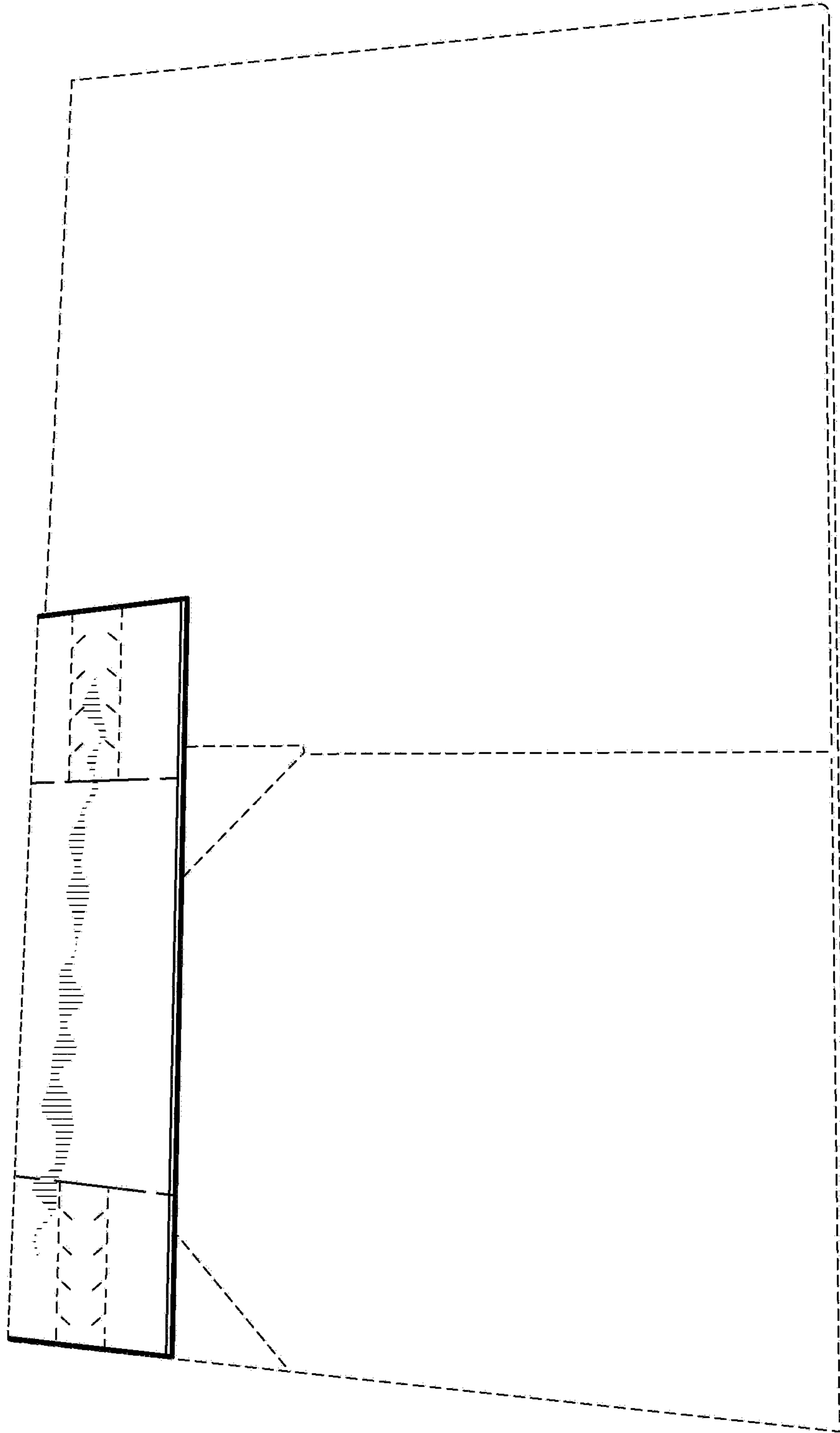


FIG. 9

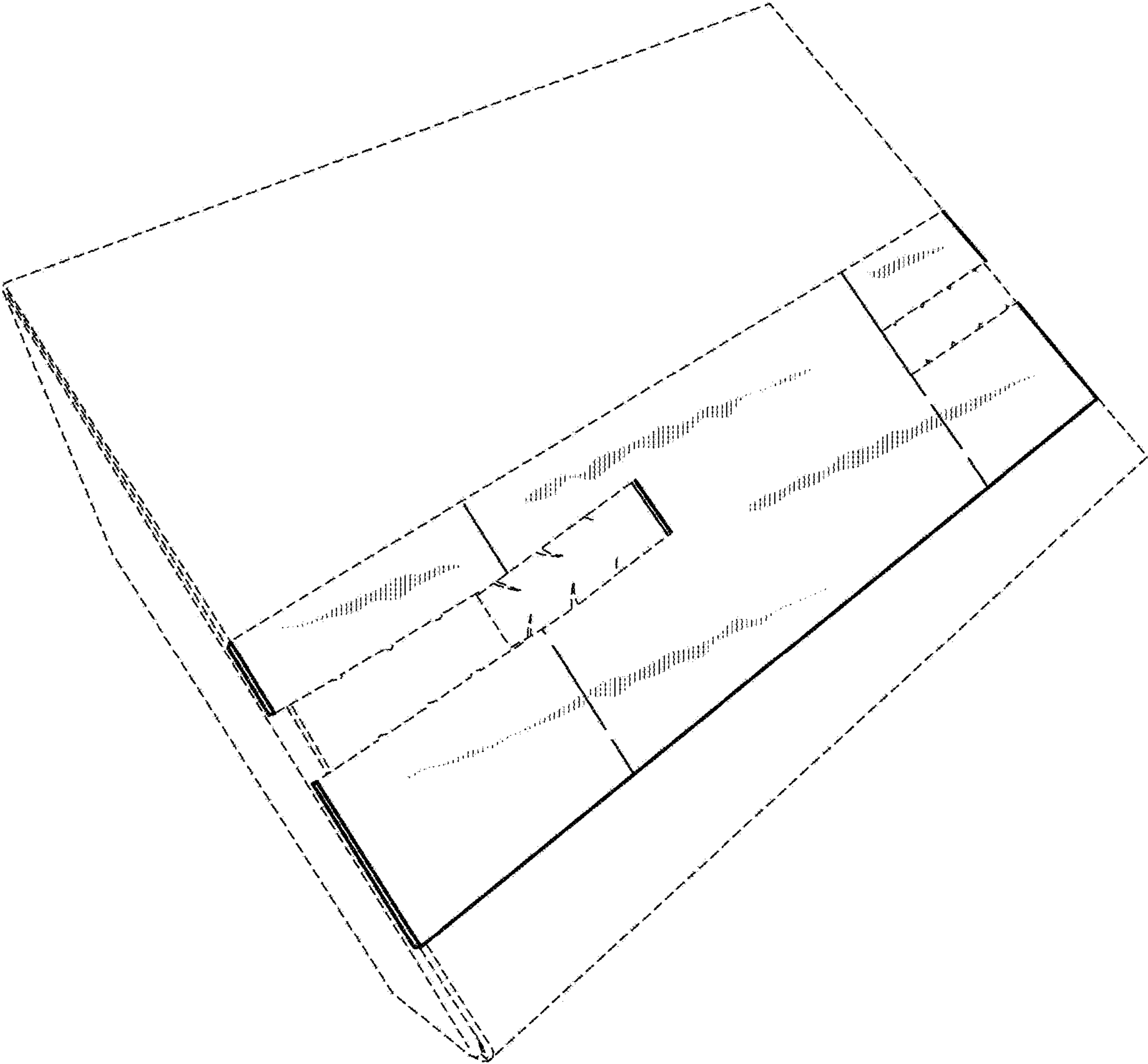


FIG. 10

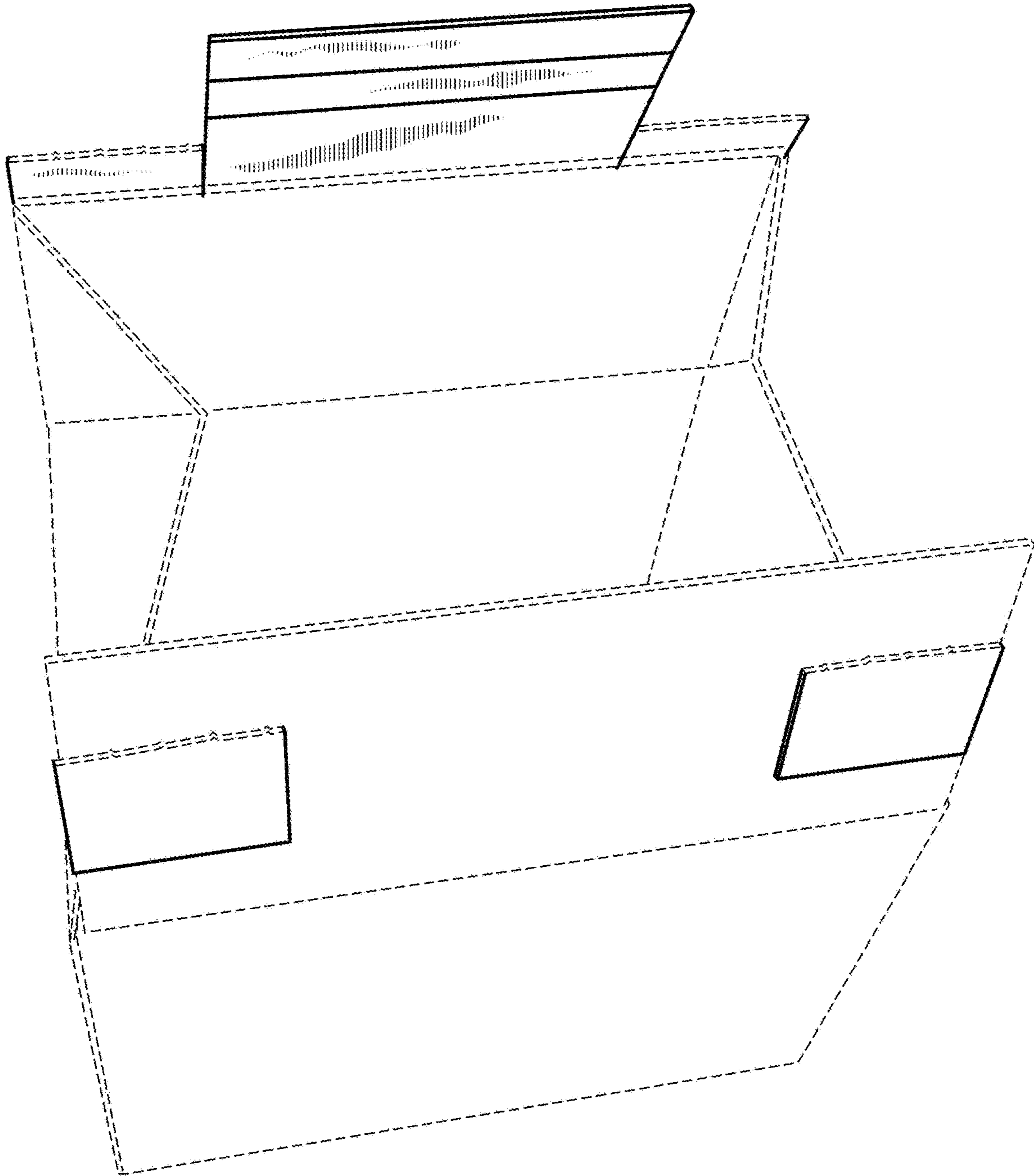


FIG. 11

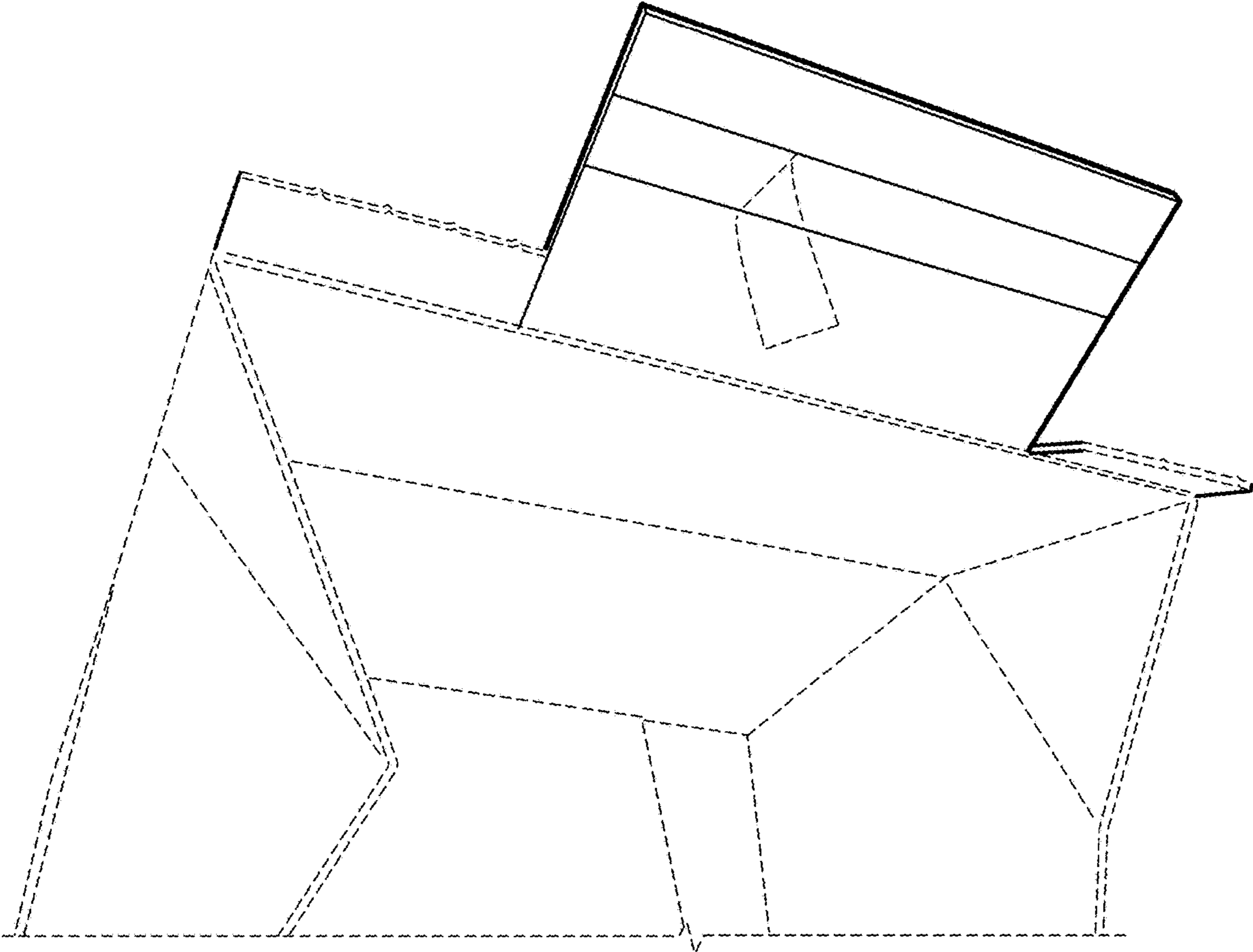


FIG. 12

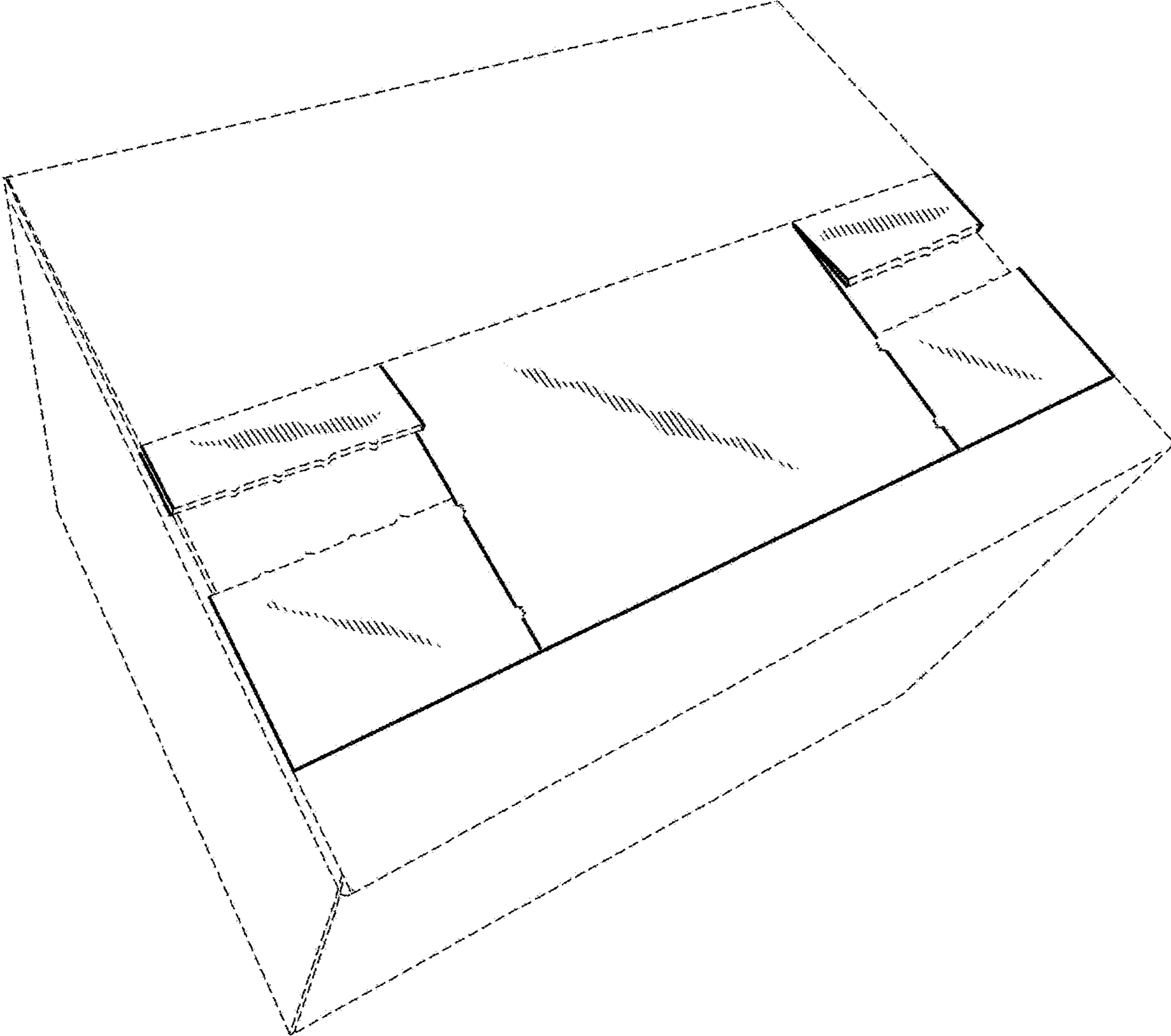


FIG. 13