



US00D942851S

(12) **United States Design Patent**
McGrath

(10) **Patent No.:** **US D942,851 S**

(45) **Date of Patent:** **** Feb. 8, 2022**

(54) **COSMETICS BOX**

(71) Applicant: **Pat McGrath Cosmetics LLC**, New York, NY (US)

(72) Inventor: **Patricia McGrath**, New York, NY (US)

(73) Assignee: **Pat McGrath Cosmetics LLC**, New York, NY (US)

(**) Term: **15 Years**

(21) Appl. No.: **29/721,907**

(22) Filed: **Jan. 24, 2020**

(30) **Foreign Application Priority Data**

Jul. 25, 2019 (EM) 006648135-0005

(51) **LOC (13) Cl.** **09-03**

(52) **U.S. Cl.**
USPC **D9/420**

(58) **Field of Classification Search**
USPC D9/420, 432, 423, 414; D27/101, 189, D27/186

CPC B65D 85/1048; B65D 75/5838; B65D 85/10484; B65D 85/1045; B65D 49/02; B65D 5/662; B65D 5/5425

See application file for complete search history.

(56) **References Cited**

U.S. PATENT DOCUMENTS

- 4,300,676 A * 11/1981 Focke B65D 75/5838 206/264
- D355,275 S * 2/1995 Focke D27/186
- D393,924 S * 4/1998 Wright D27/189
- D575,636 S * 8/2008 Krautter D9/420
- D594,322 S * 6/2009 Blick D9/423
- D594,596 S * 6/2009 Mitten D27/189
- D618,544 S * 6/2010 Collins D9/420
- D618,545 S * 6/2010 Toinet D9/423

- D627,634 S * 11/2010 Chung D9/423
- D698,642 S * 2/2014 Tawada D9/423
- D736,456 S * 8/2015 Liu D27/189
- D748,466 S * 2/2016 Martin D9/420
- D775,944 S * 1/2017 Marchitto B65D 85/1048 D9/414
- D789,782 S * 6/2017 Kahawaiolaa D9/414
- D821,866 S * 7/2018 Scotti D9/420
- D863,953 S * 10/2019 Schnakenberg D9/423
- D877,972 S * 3/2020 Kahawaiolaa D27/101

(Continued)

OTHER PUBLICATIONS

“Custom cigarette boxes” reference dated Sep. 27, 2021 on the internet at: <https://www.urgentpackagings.com/cigarette-boxes>.*

(Continued)

Primary Examiner — Rhea Shields

(74) *Attorney, Agent, or Firm* — Ziegler IP Law Group, LLC

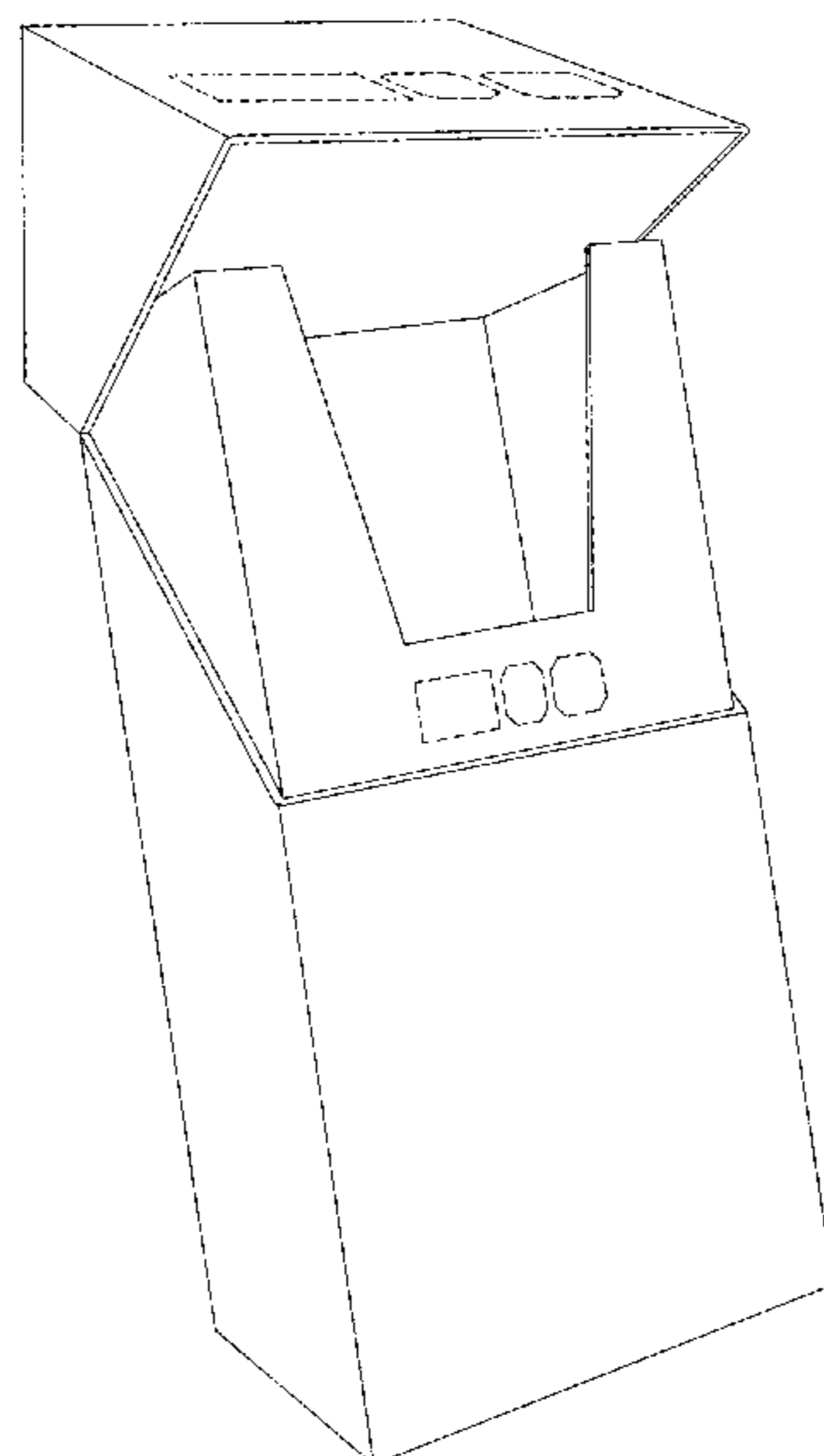
(57) **CLAIM**

The ornamental design for a cosmetics box, as shown and described.

DESCRIPTION

FIG. 1 is a perspective view of a cosmetics box showing the new design;
 FIG. 2 is a perspective view of the cosmetics box of FIG. 1 with the top or cover portion in an open state;
 FIG. 3 is a front view of the cosmetics box of FIG. 1;
 FIG. 4 is a back view thereof;
 FIG. 5 is a side view thereof;
 FIG. 6 is another side view thereof;
 FIG. 7 is a top view thereof; and,
 FIG. 8 is a bottom view thereof.
 In the drawings the broken lines are for the purpose of illustrating portions of the cosmetics box that form no part of the claimed design.

1 Claim, 8 Drawing Sheets



(56)

References Cited

U.S. PATENT DOCUMENTS

D882,394 S * 4/2020 Griffin D9/420
D909,865 S * 2/2021 Yeung D9/432
2006/0091026 A1* 5/2006 Mitten B65D 85/1045
206/273
2011/0068155 A1* 3/2011 Yoshimura B65D 5/5425
229/117.27
2014/0151251 A1* 6/2014 Lena B65D 5/662
206/268
2016/0368645 A1* 12/2016 Buse B65B 49/02
2017/0088341 A1* 3/2017 Fallon B65D 85/1045
2017/0107047 A1* 4/2017 Ruthemeier B65D 85/10484

OTHER PUBLICATIONS

“Wholesale cigarette boxes” reference dated Sep. 27, 2021 on the internet at: <https://www.pinterest.com/pin/87538786495106851/>.*

“Cassette tapes . . . ” reference dated Sep. 27, 2021 on the internet at: <https://www.bandcds.co.uk/cassettes/cassette-tapes-in-cigarette-style-cases/>.*

“cigarette box template . . . ” reference dated Sep. 27, 2021 on the internet at: <https://www.etsy.com/listing/916633388/cigarette-box-template-cigarette-pack>.*

“Hard box full . . . ” reference dated Sep. 27, 2021 on the internet at: <https://www.amazon.com/Hard-Full-Cigarette-Assorted-Colors/dp/B00478LXUW>.*

* cited by examiner

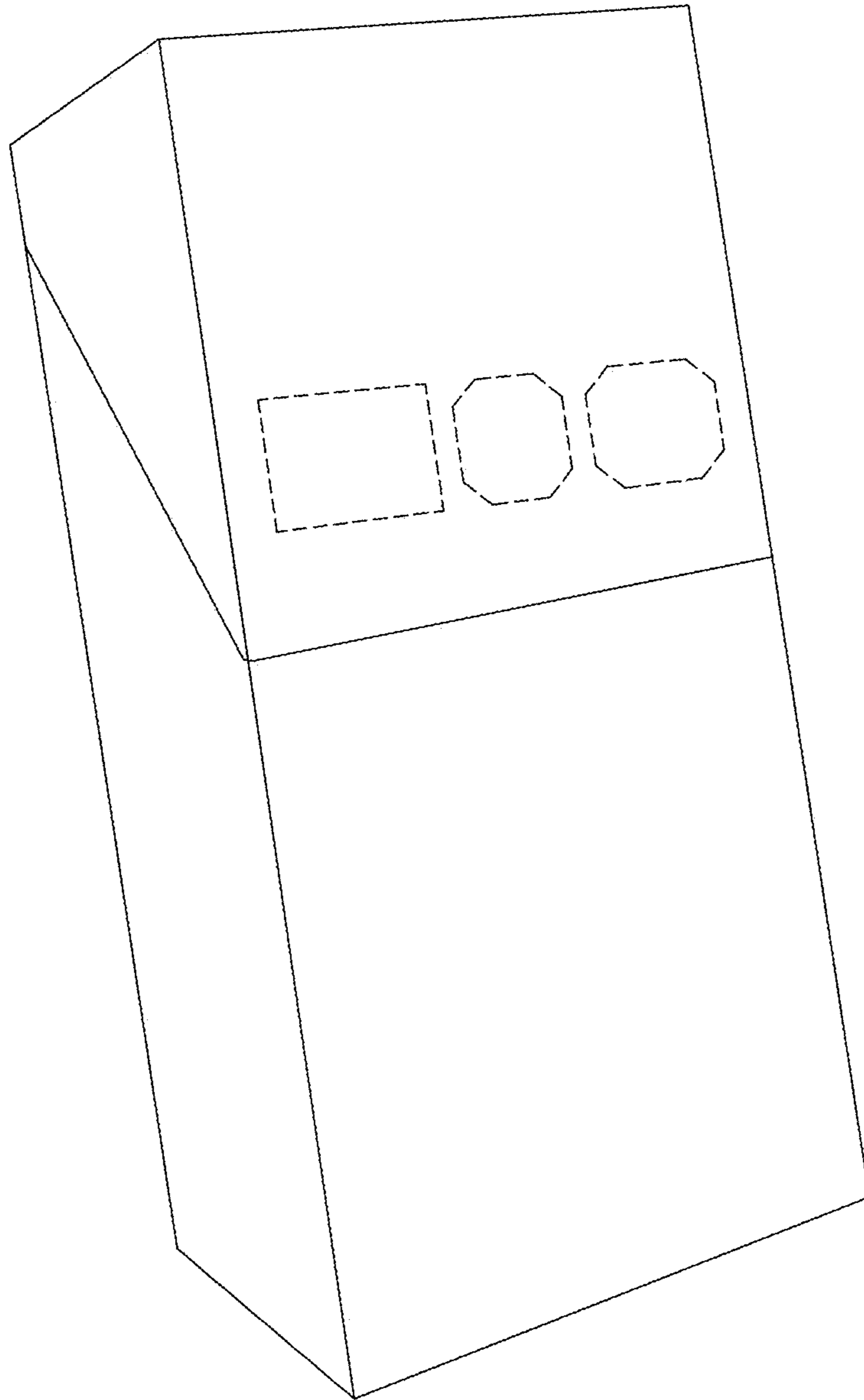


FIG. 1

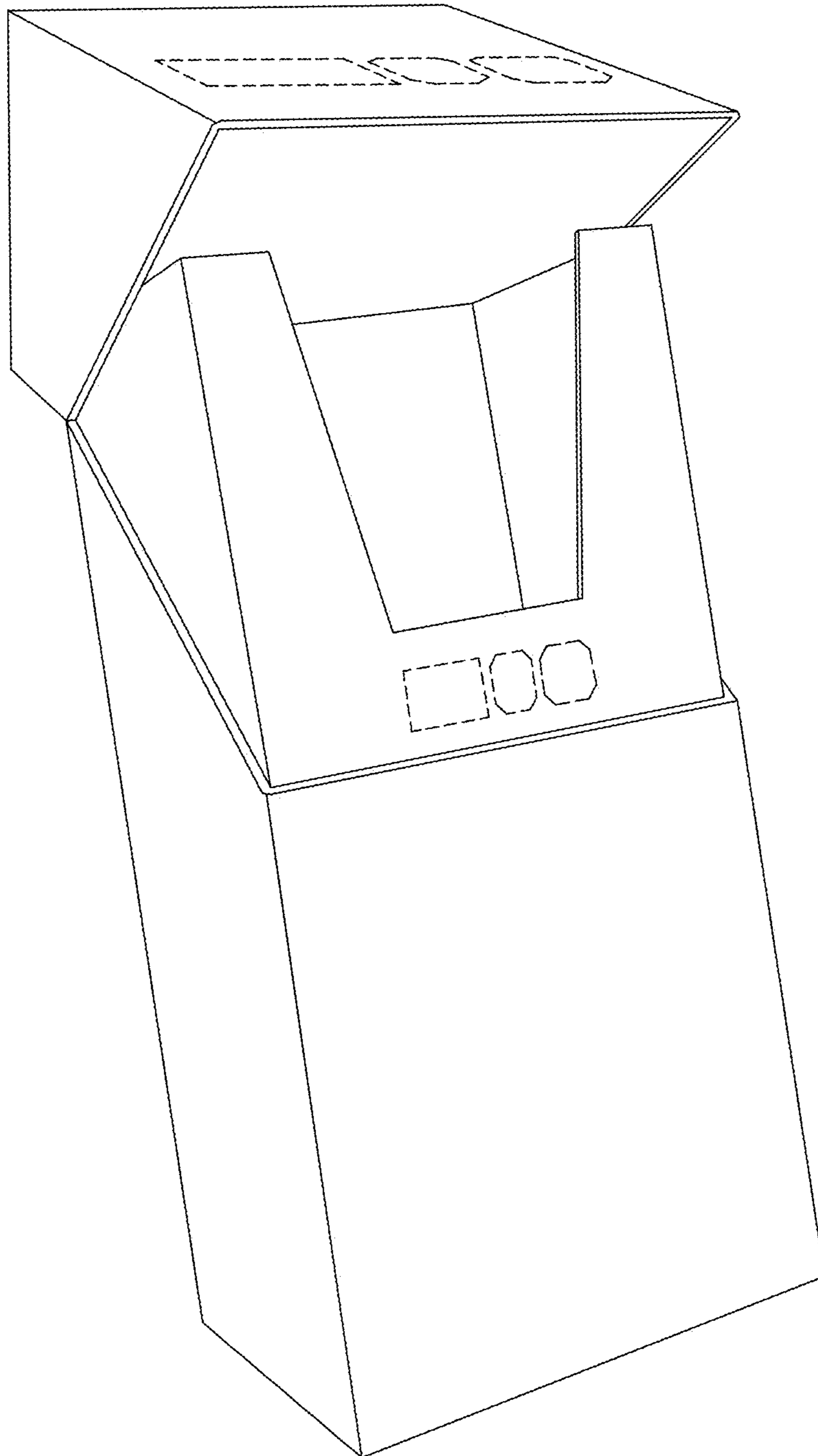


FIG. 2

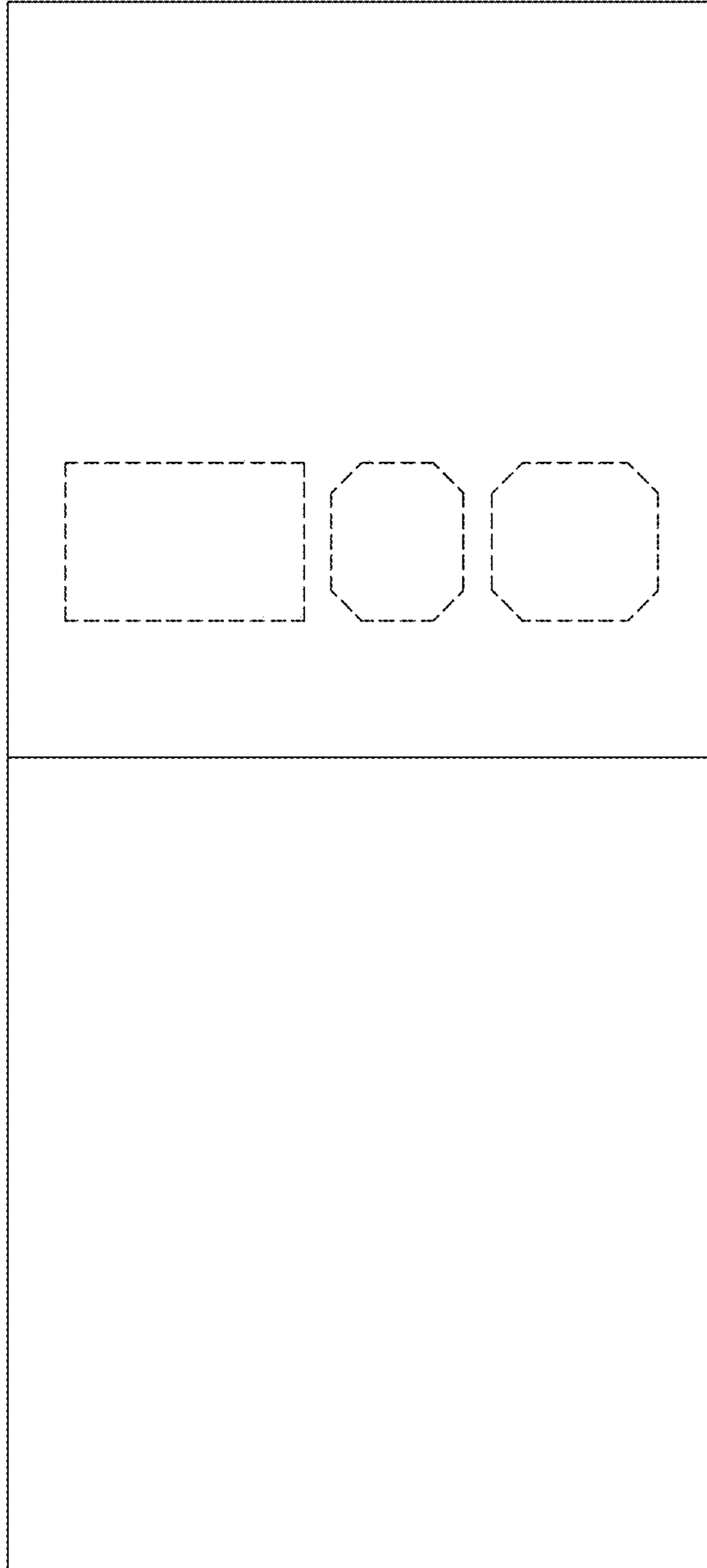


FIG. 3

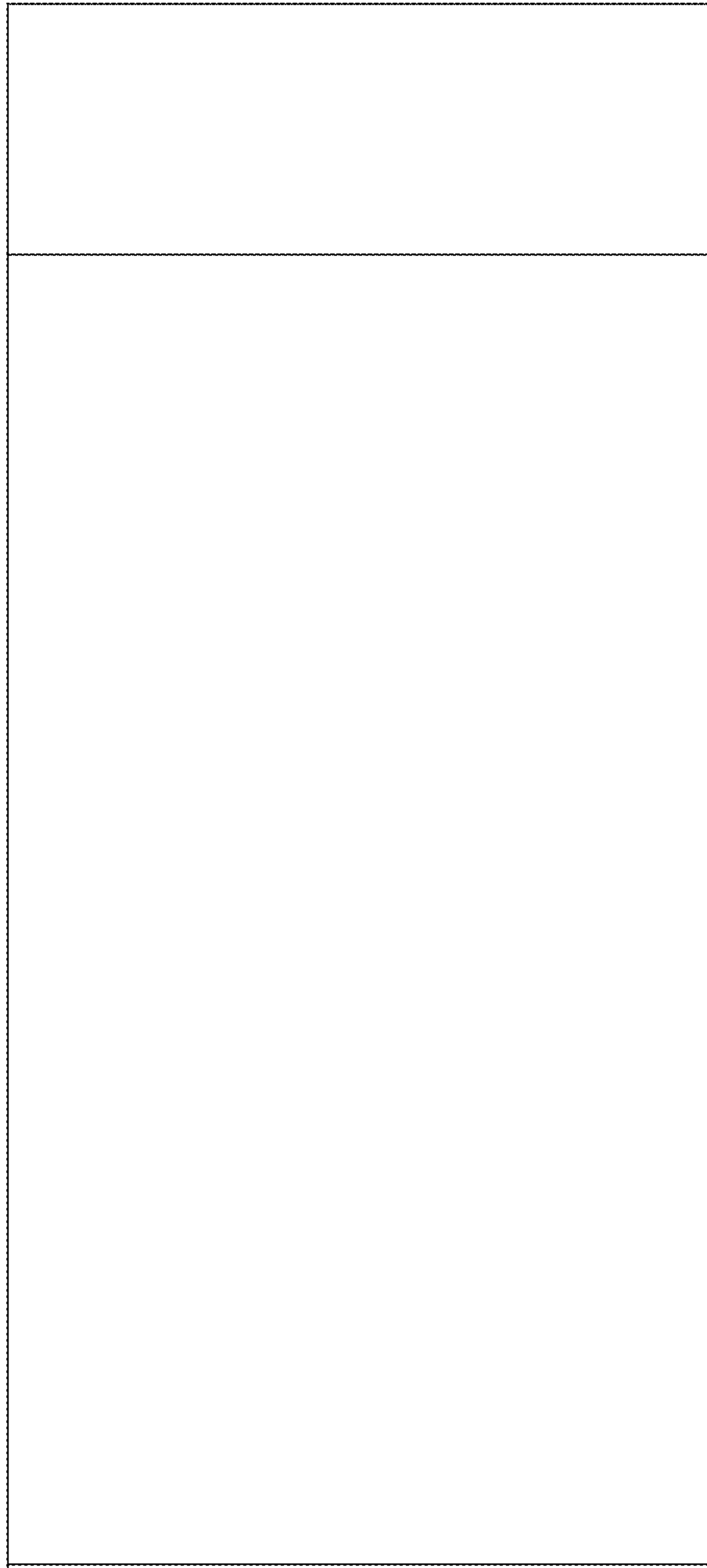


FIG. 4

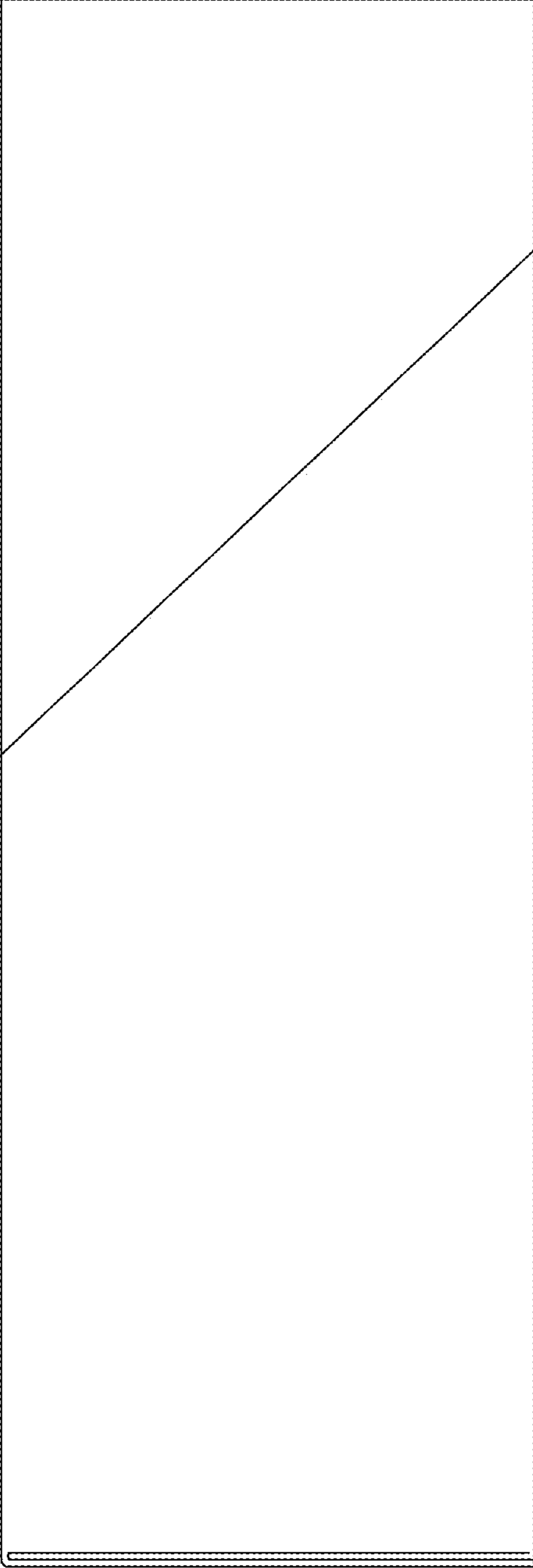


FIG. 5

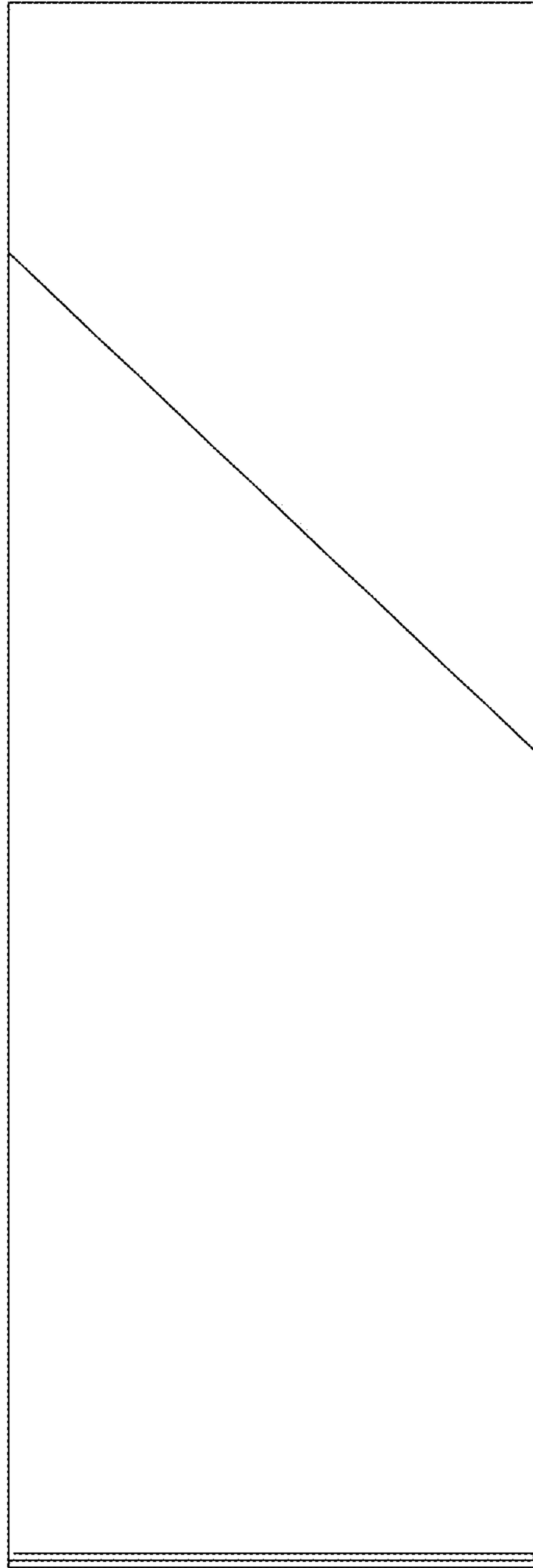


FIG. 6

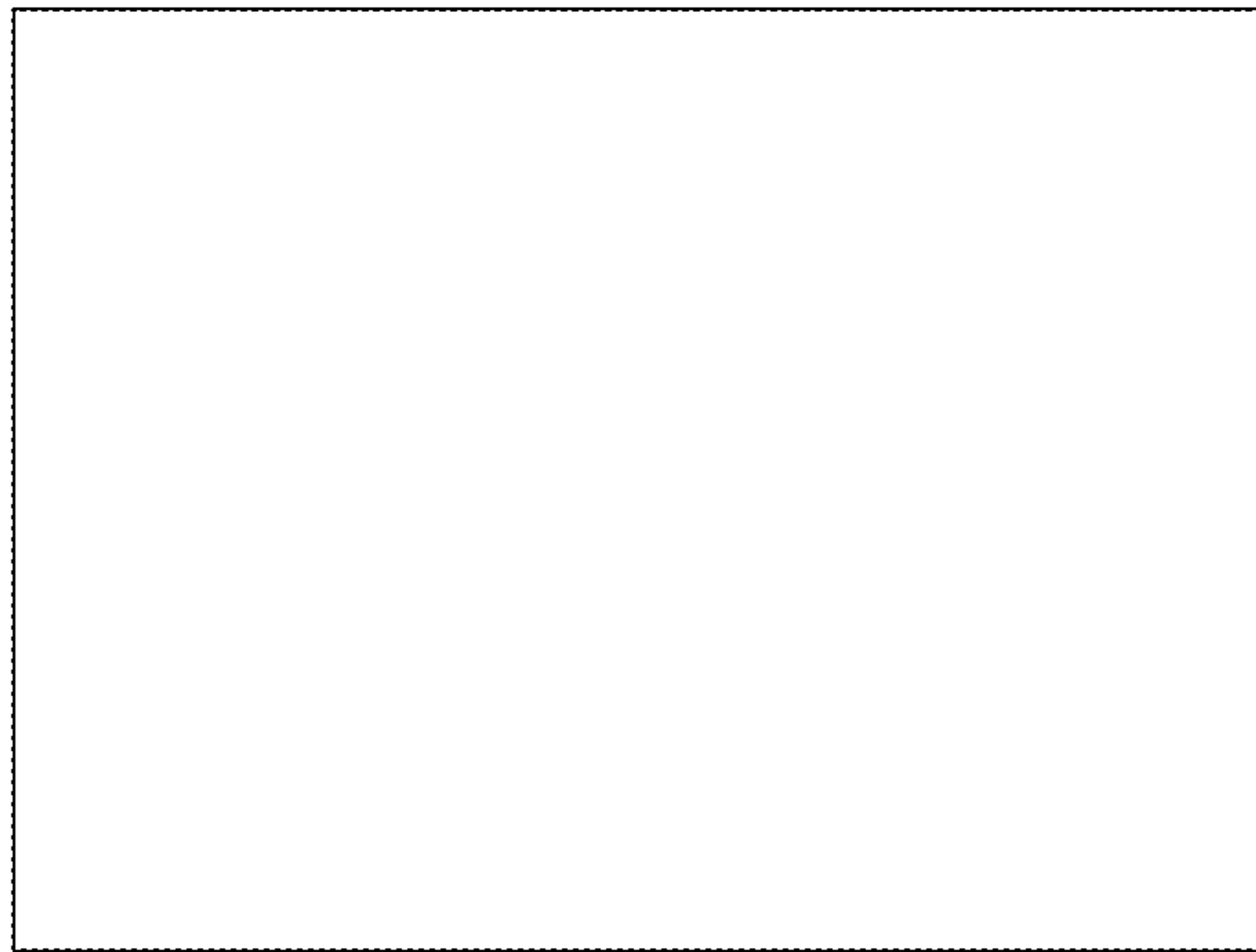


FIG. 7

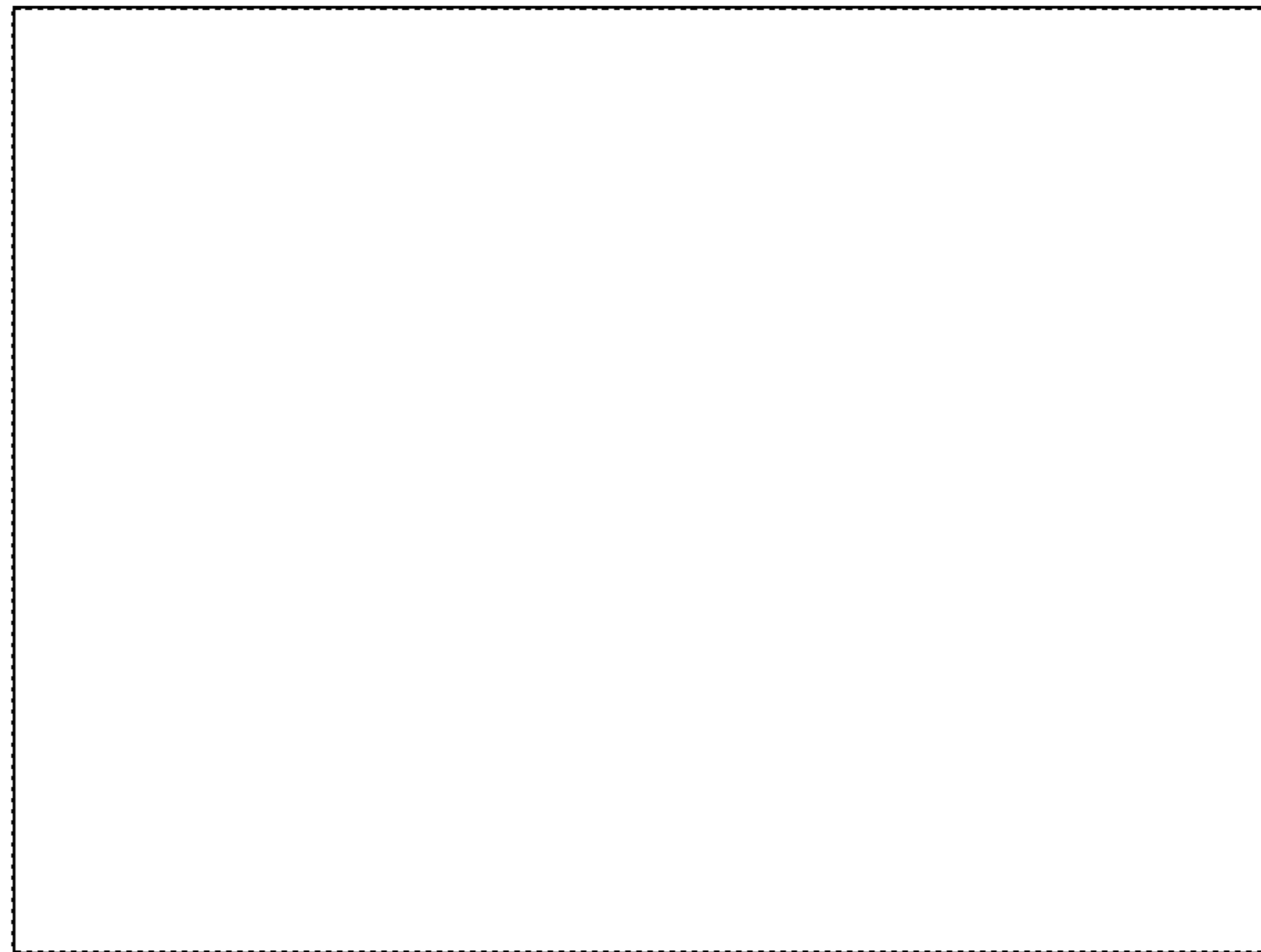


FIG. 8