



US00D942848S

(12) **United States Design Patent** (10) **Patent No.:** **US D942,848 S**
Godfrey et al. (45) **Date of Patent:** **** Feb. 8, 2022**

(54) **COMBINED PILLOW PACKAGE WITH
BUTTON CLOSURES**

(71) Applicant: **CVB INC**, Logan, UT (US)

(72) Inventors: **Olivia Godfrey**, Logan, UT (US); **Leah
Anderson**, Logan, UT (US)

(**) Term: **15 Years**

(21) Appl. No.: **29/721,804**

(22) Filed: **Jan. 23, 2020**

(51) **LOC (13) Cl.** **09-03**

(52) **U.S. Cl.**
USPC **D9/415**; D9/418

(58) **Field of Classification Search**
USPC D9/414–416, 418, 654; D3/203.2, 206,
D3/273, 276, 289, 290, 282, 303, 292,
D3/281, 246; D7/629; D6/312
CPC A45C 13/40; A45C 13/10; B65D 5/46072
See application file for complete search history.

(56) **References Cited**

U.S. PATENT DOCUMENTS

D10,863 S *	10/1878	Moonelis	D9/654
D17,222 S *	3/1887	Goetting	D9/654
D33,541 S *	11/1900	Switzer	D9/654
D158,354 S *	5/1950	Bert	D3/292
D165,492 S *	12/1951	Stakofsky	D3/246
D196,955 S *	11/1963	Parsell	D3/282
3,239,110 A *	3/1966	Buter	B65D 5/46072 222/465.1
D238,402 S *	1/1976	Gorky	D3/292
D238,619 S *	1/1976	Barad	D3/303
3,957,141 A *	5/1976	Domes	A45C 13/40 190/102
D271,725 S *	12/1983	Sherer	D3/282
D332,870 S *	2/1993	Fink	D3/281
5,286,112 A *	2/1994	Bible	A45C 13/10 24/306

D496,161 S *	9/2004	Rosler	D3/273
D520,238 S *	5/2006	Montague	D3/290
D668,868 S *	10/2012	Lehovetzki	D3/281
D677,466 S *	3/2013	Passavant	D3/290
D681,937 S *	5/2013	Peterson	D3/203.6
D689,288 S *	9/2013	Zadro	D6/312
D689,766 S *	9/2013	Oppenhejm	D9/420
D693,214 S *	11/2013	Limback	D9/415
D703,439 S *	4/2014	Fair	D3/289
D717,645 S *	11/2014	Wilmers	D9/432
D784,124 S *	4/2017	Zeitlin	D9/418
D853,113 S *	7/2019	Wang	D3/276
D904,759 S *	12/2020	Girard-Tremblay	D3/273
D911,020 S *	2/2021	Lee	D3/203.2
D911,119 S *	2/2021	Zhong	D7/629
D911,833 S *	3/2021	Toroyan	D9/416
D923,324 S *	6/2021	Miyake	D3/206

* cited by examiner

Primary Examiner — Rhea Shields

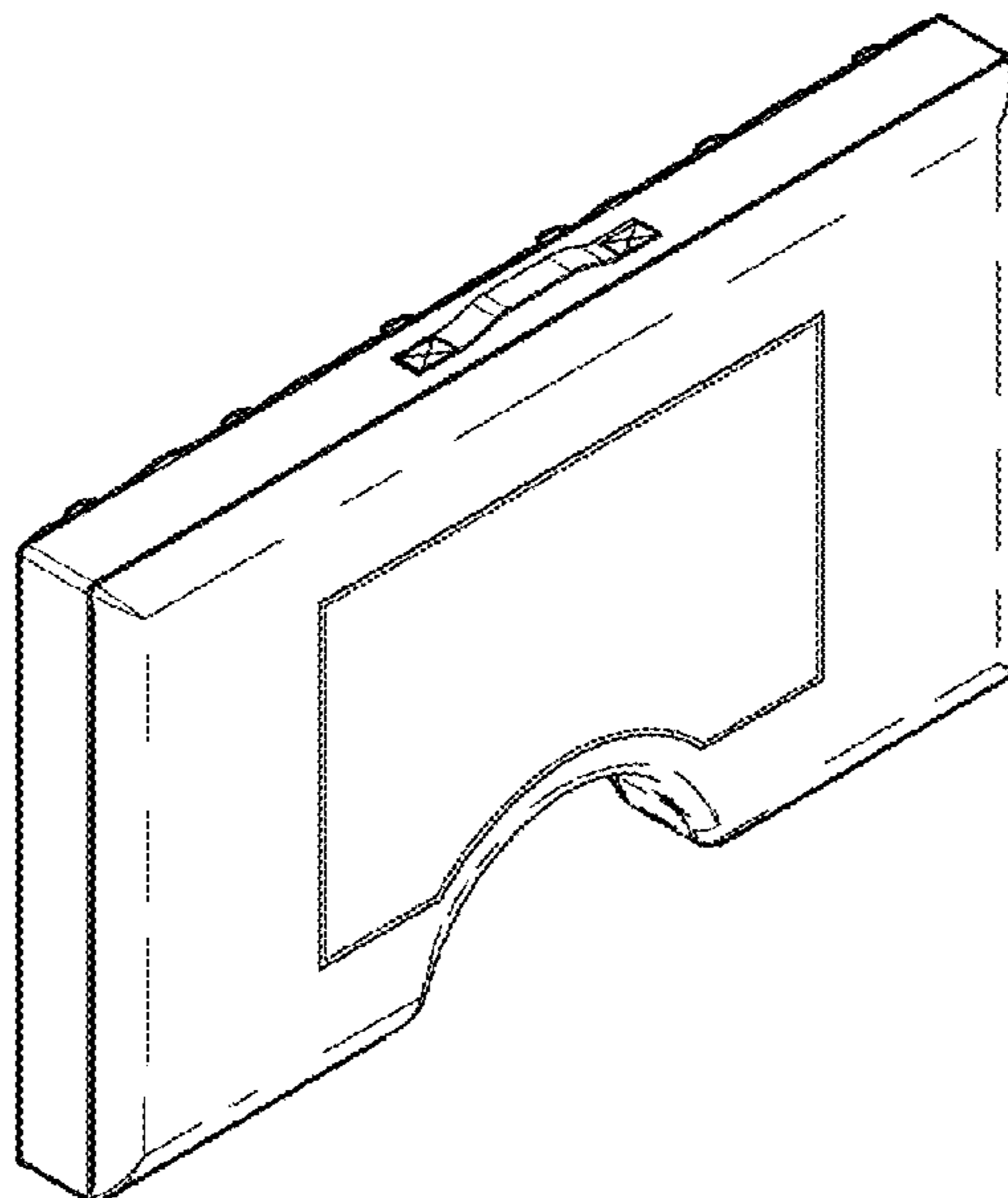
(57) **CLAIM**

The ornamental design for a combined pillow package with button closures, as shown.

DESCRIPTION

FIG. 1 is a front perspective view of combined pillow package with button closures;
FIG. 2 is a left-side view of the combined pillow package with button closures of FIG. 1;
FIG. 3 is a right-side view of the combined pillow package with button closures of FIG. 1;
FIG. 4 is a front view of the combined pillow package with button closures of FIG. 1;
FIG. 5 is a rear view of the combined pillow package with button closures of FIG. 1;
FIG. 6 is a top-side view of the combined pillow package with button closures of FIG. 1; and,
FIG. 7 is a bottom-side view of the combined pillow package with button closures of FIG. 1.

1 Claim, 3 Drawing Sheets



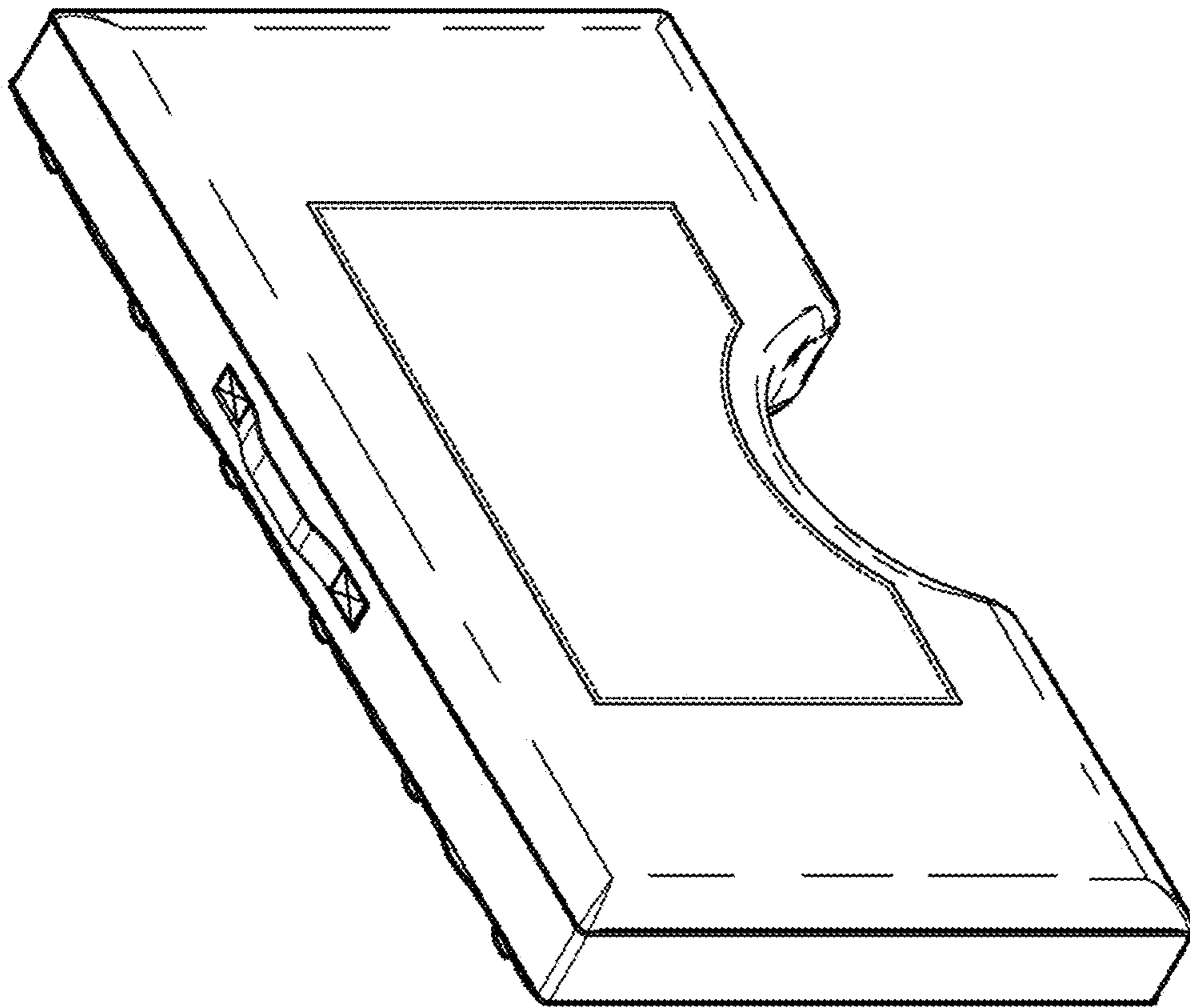


FIG. 1

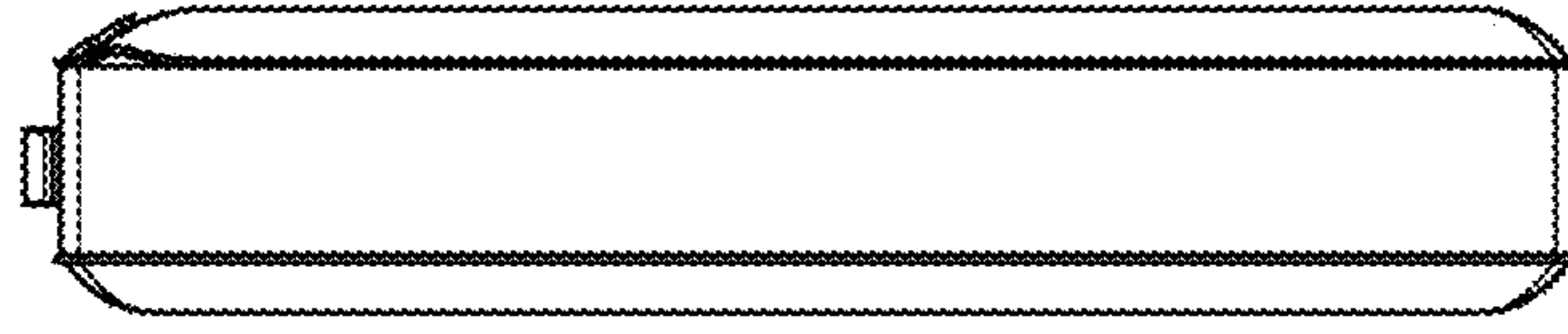


FIG. 2

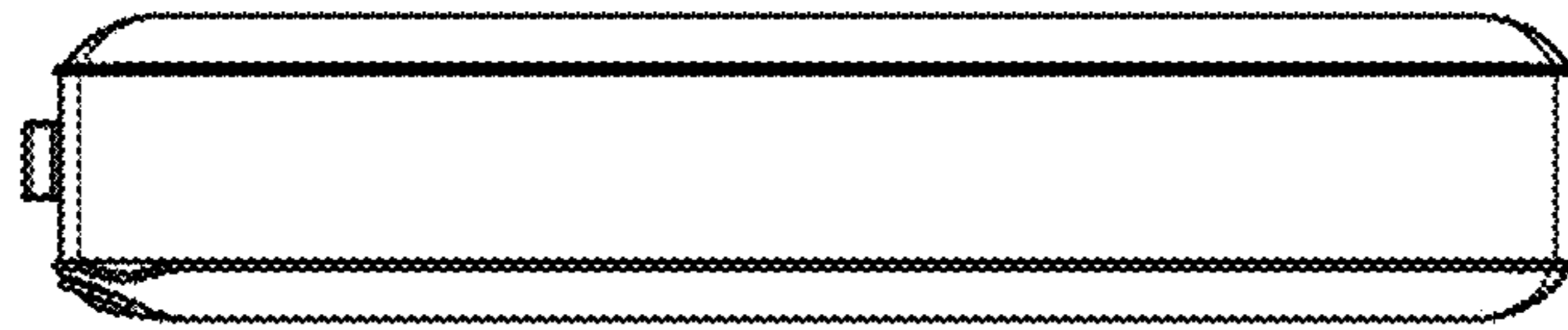


FIG. 3

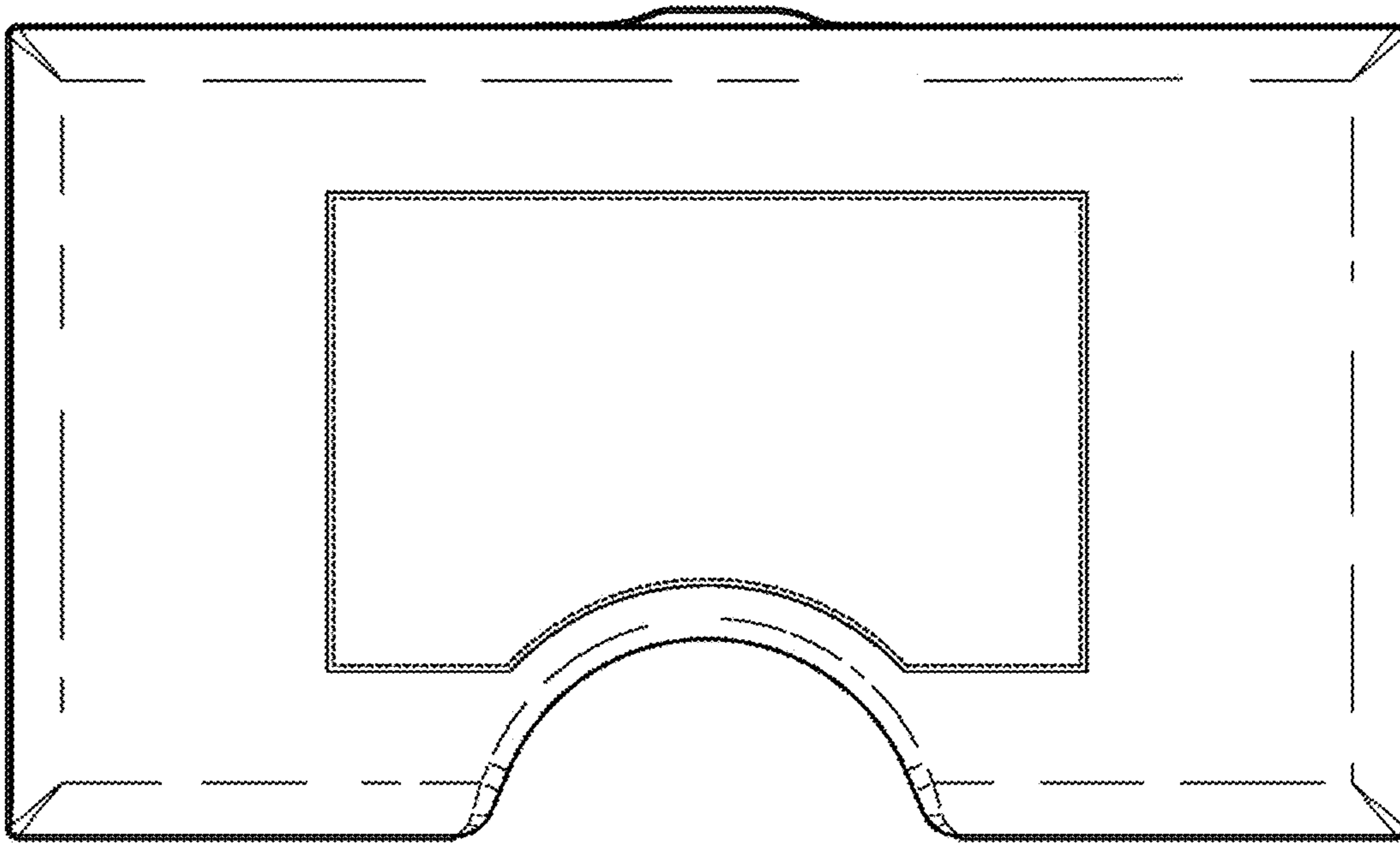


FIG. 4

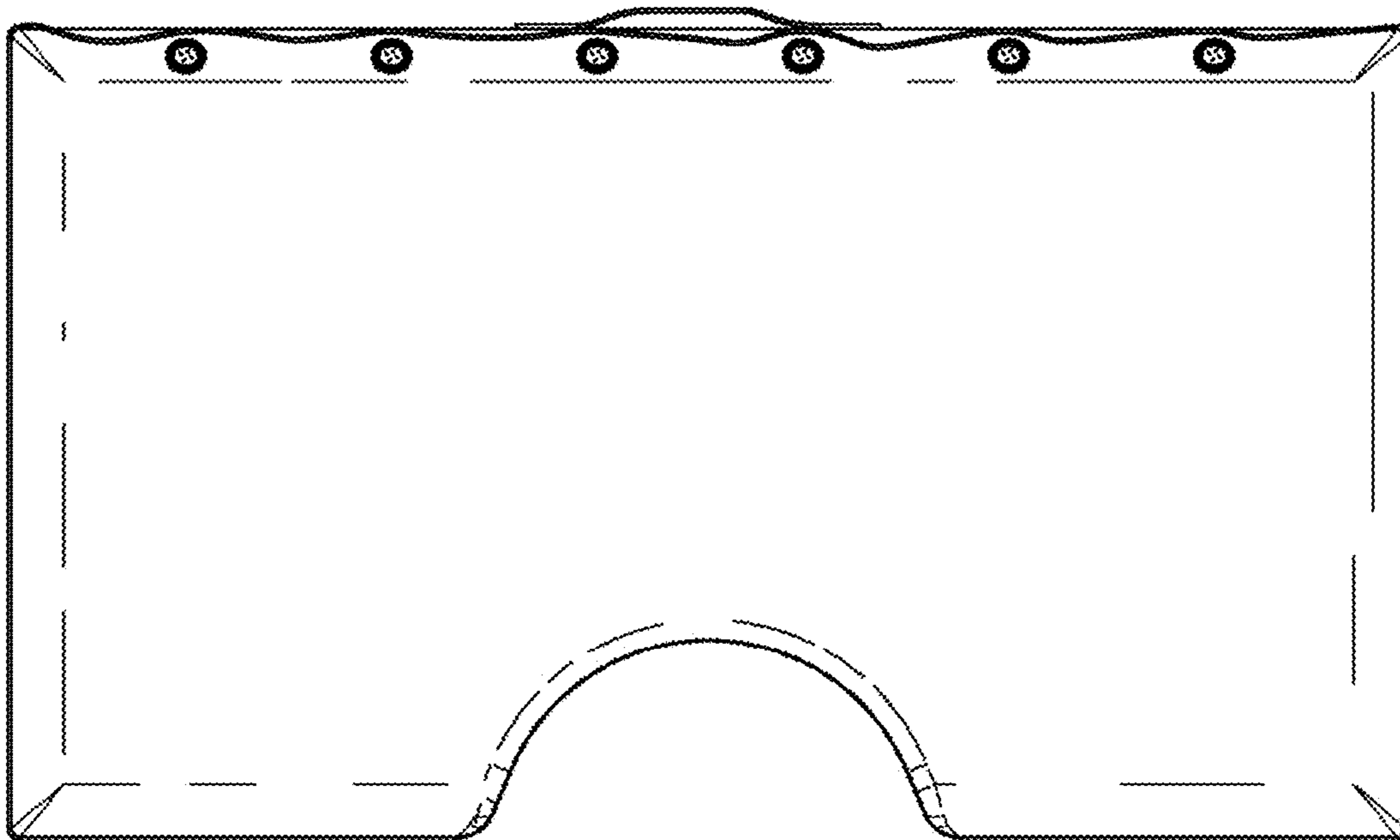


FIG. 5

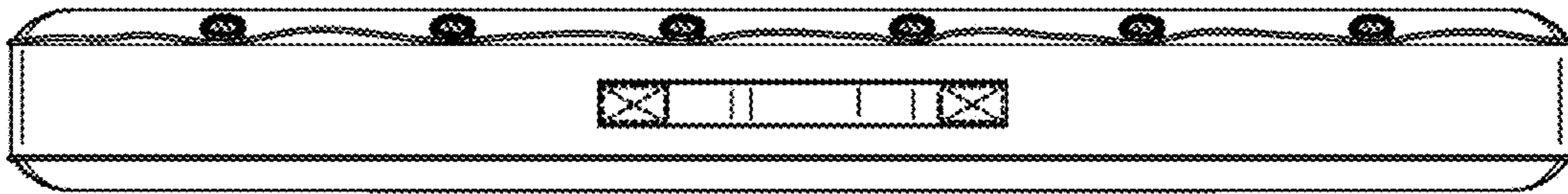


FIG. 6

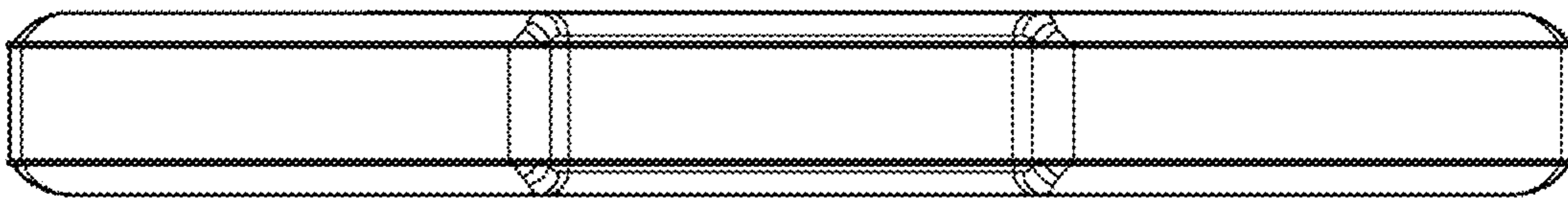


FIG. 7