



US00D942847S

(12) **United States Design Patent** (10) **Patent No.:** **US D942,847 S**
Wilson, Sr. (45) **Date of Patent:** **** Feb. 8, 2022**

(54) **CONDUIT STRAP WITH LONGITUDINALLY OFFSET FEET**

(71) Applicant: **Laurin Thomas Wilson, Sr.**,
Georgetown, SC (US)

(72) Inventor: **Laurin Thomas Wilson, Sr.**,
Georgetown, SC (US)

(**) Term: **15 Years**

(21) Appl. No.: **29/743,965**

(22) Filed: **Jul. 25, 2020**

(51) **LOC (13) Cl.** **08-08**

(52) **U.S. Cl.**
USPC **D8/396**

(58) **Field of Classification Search**
USPC D8/70-72, 371-377, 380-381, 394-398;
D12/125
CPC F16B 9/00; F16L 3/02; F16L 3/04
See application file for complete search history.

(56) **References Cited**

U.S. PATENT DOCUMENTS

2,310,434	A *	2/1943	Hyman	F16L 3/04 248/71
2,338,659	A *	1/1944	Morehouse	F16L 3/1233 248/74.3
2,689,702	A *	9/1954	Healey, Jr.	F16L 3/04 248/71
D174,342	S *	3/1955	Morris	D8/51
D175,329	S *	8/1955	Archer	D8/51
3,185,420	A *	5/1965	Stewart	F16L 3/04 248/74.5
6,152,412	A *	11/2000	Basickes	F16L 3/127 248/317
D438,093	S *	2/2001	Mandujano	D8/396
6,250,591	B1 *	6/2001	Cunningham	F16L 3/2235 248/65
D644,613	S *	9/2011	Kiely	D13/155

(Continued)

OTHER PUBLICATIONS

“Offset Mounting Z Clips”, Feb. 1, 2015, Amazon.com, site visited Nov. 22, 2021: <https://www.amazon.com/1-1-Depth-Mounting-Pan-Head-Included/dp/B00T1FI9X0> (Year: 2015).*

(Continued)

Primary Examiner — Jack Reickel

Assistant Examiner — Michael A Kervin

(74) *Attorney, Agent, or Firm* — L Lawton Rogers, III

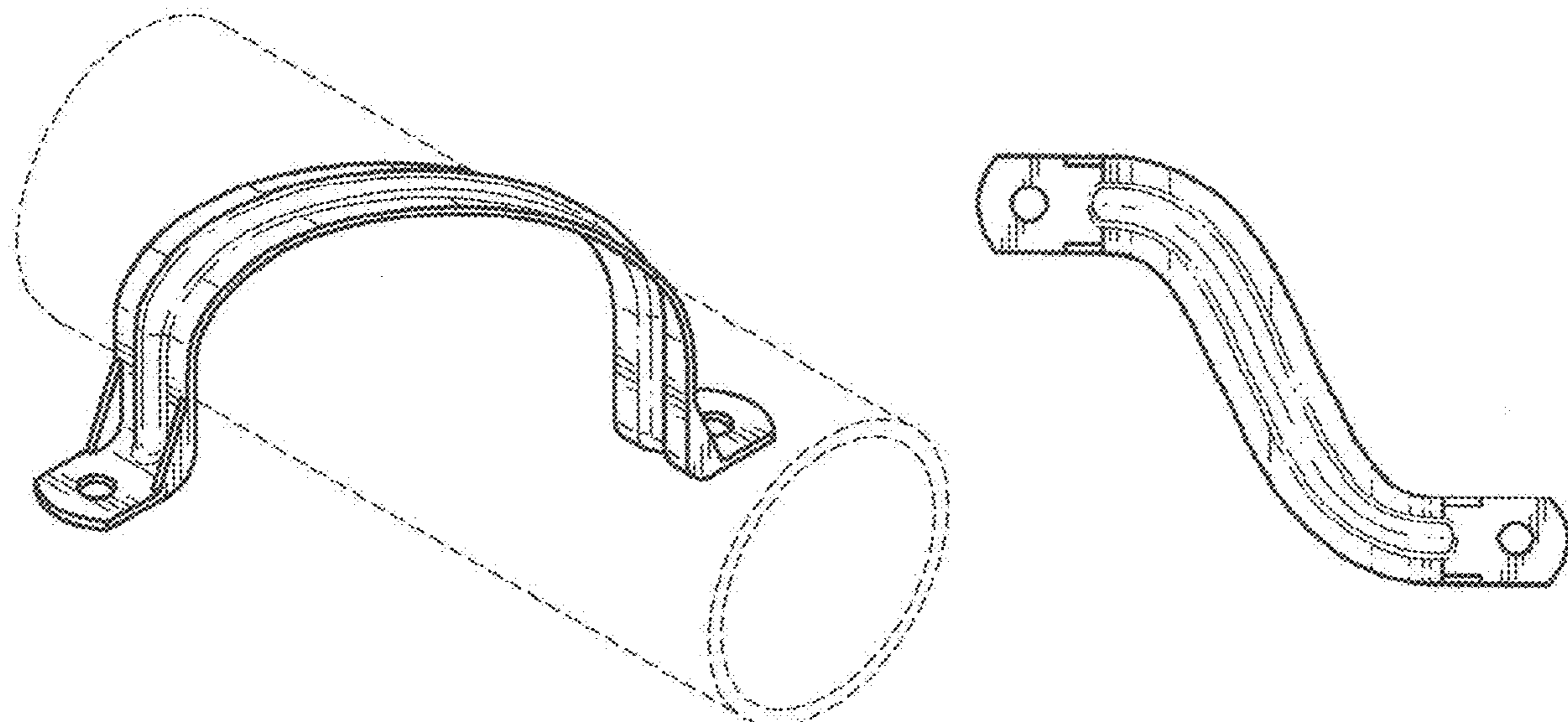
(57) **CLAIM**

The ornamental design for a conduit strap with longitudinally offset feet, as shown and described..

DESCRIPTION

FIG. 1 is a perspective view of a conduit strap with longitudinally offset feet according to a first embodiment; FIG. 2 is a left side elevational view of the strap of FIG. 1 with the right side elevational view being a mirror image thereof; FIG. 3 is a front elevational view of the strap of FIG. 1 with the rear elevational view being a mirror image thereof; FIG. 4 is a top plan view of the strap of FIG. 1; FIG. 5 is a bottom plan view of the strap of FIG. 1; FIG. 6 is a perspective view of a conduit strap with longitudinally offset feet according to a second embodiment; FIG. 7 is a left side elevational view of the strap of FIG. 6 with the right side elevational view being a mirror image thereof; FIG. 8 is a front elevational view of the strap of FIG. 6 with the rear elevational view being a mirror image thereof; FIG. 9 is a top plan view of the strap of FIG. 6; and, FIG. 10 is a bottom plan view of the strap of FIG. 6. The broken lines illustrate a conduit held by the strap and are environmental and are not part of the strap design sought to be patented.

1 Claim, 2 Drawing Sheets



(56)

References Cited

U.S. PATENT DOCUMENTS

D647,784 S * 11/2011 McNamara D8/349
D742,213 S * 11/2015 Sasanecki D8/396
11,015,738 B1 * 5/2021 Wilson, Sr. H02G 3/32
D922,910 S * 6/2021 Monahan B62M 3/083
D12/125
D924,027 S * 7/2021 Pomar D8/52
2003/0038217 A1 * 2/2003 Rivers F16L 3/1066
248/74.1
2004/0099772 A1 * 5/2004 Durig F16L 3/04
248/68.1
2007/0158506 A1 * 7/2007 Trotter F16L 3/1207
248/65
2007/0272806 A1 * 11/2007 Kim F16L 3/1008
248/62
2009/0072099 A1 * 3/2009 Trotter F16L 55/035
248/74.1
2013/0043368 A1 * 2/2013 Hill E04H 17/1447
248/534
2019/0017630 A1 * 1/2019 Juzak F16L 3/1075
2019/0285200 A1 * 9/2019 Juzak F16L 3/11

OTHER PUBLICATIONS

“WYKA Pipe Strap Clamp”, Jun. 29, 2019, Amazon.com, site visited Nov. 22, 2021: <https://www.amazon.com/dp/B07TN9HBTV> (Year: 2019).*

* cited by examiner

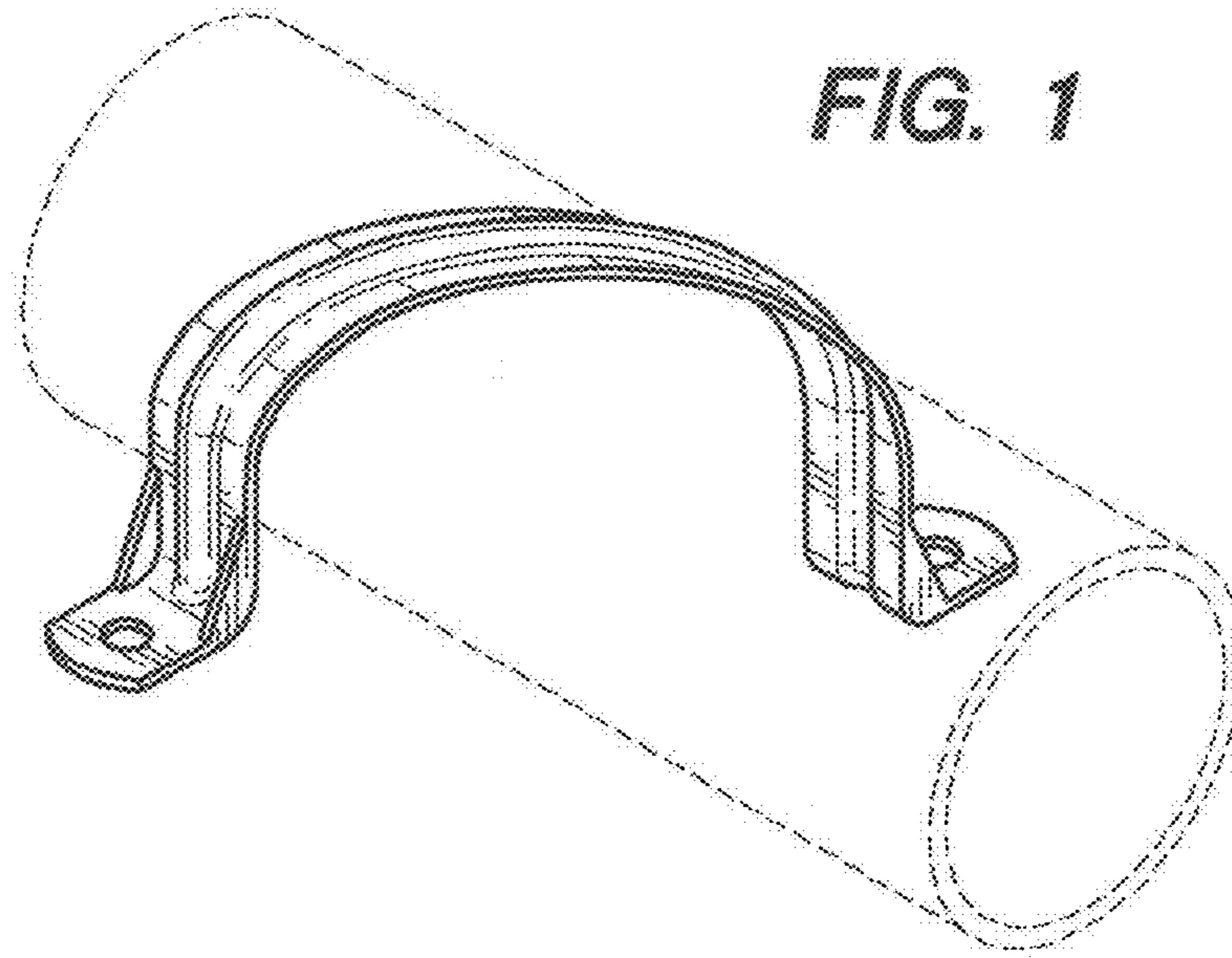


FIG. 2

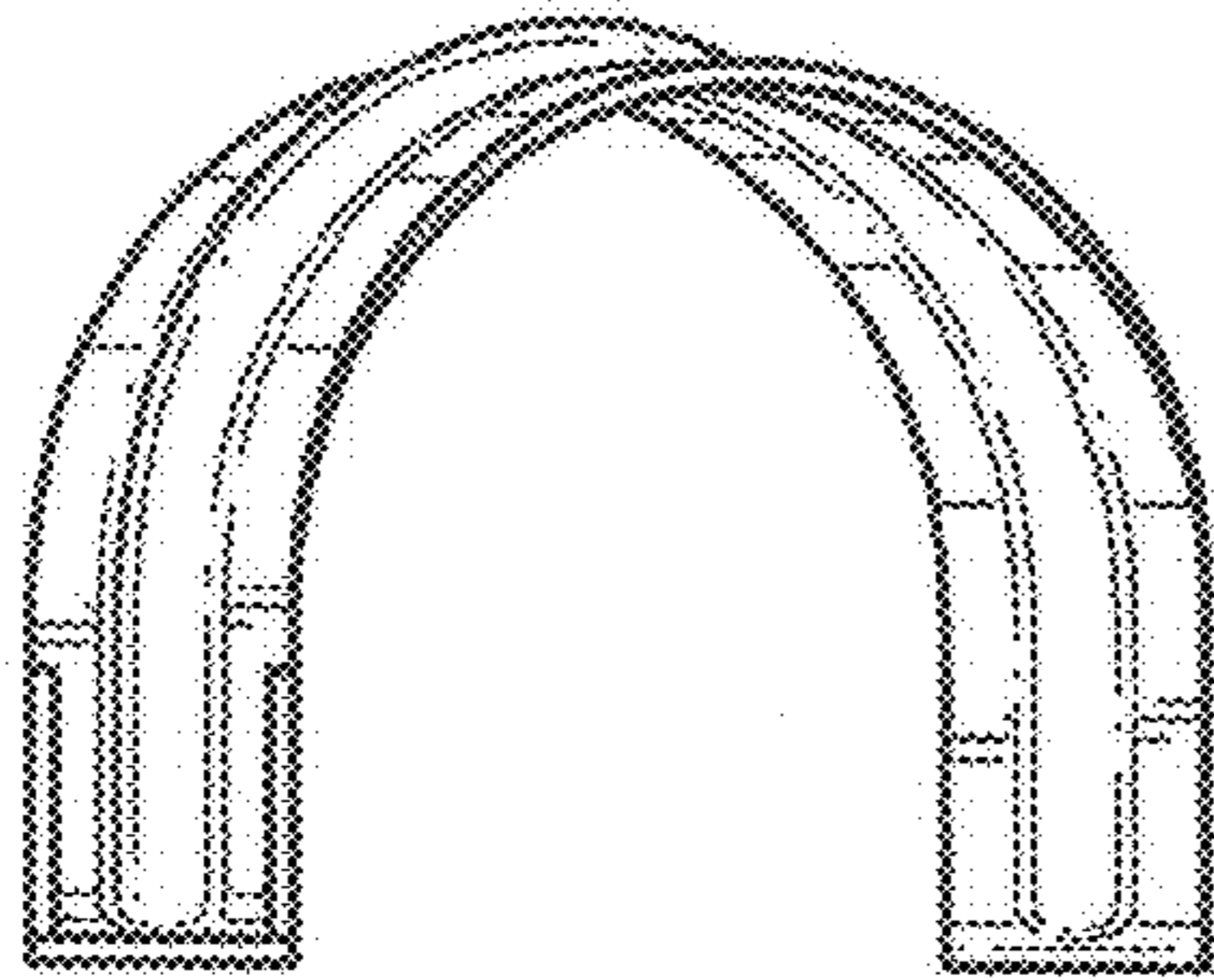


FIG. 3

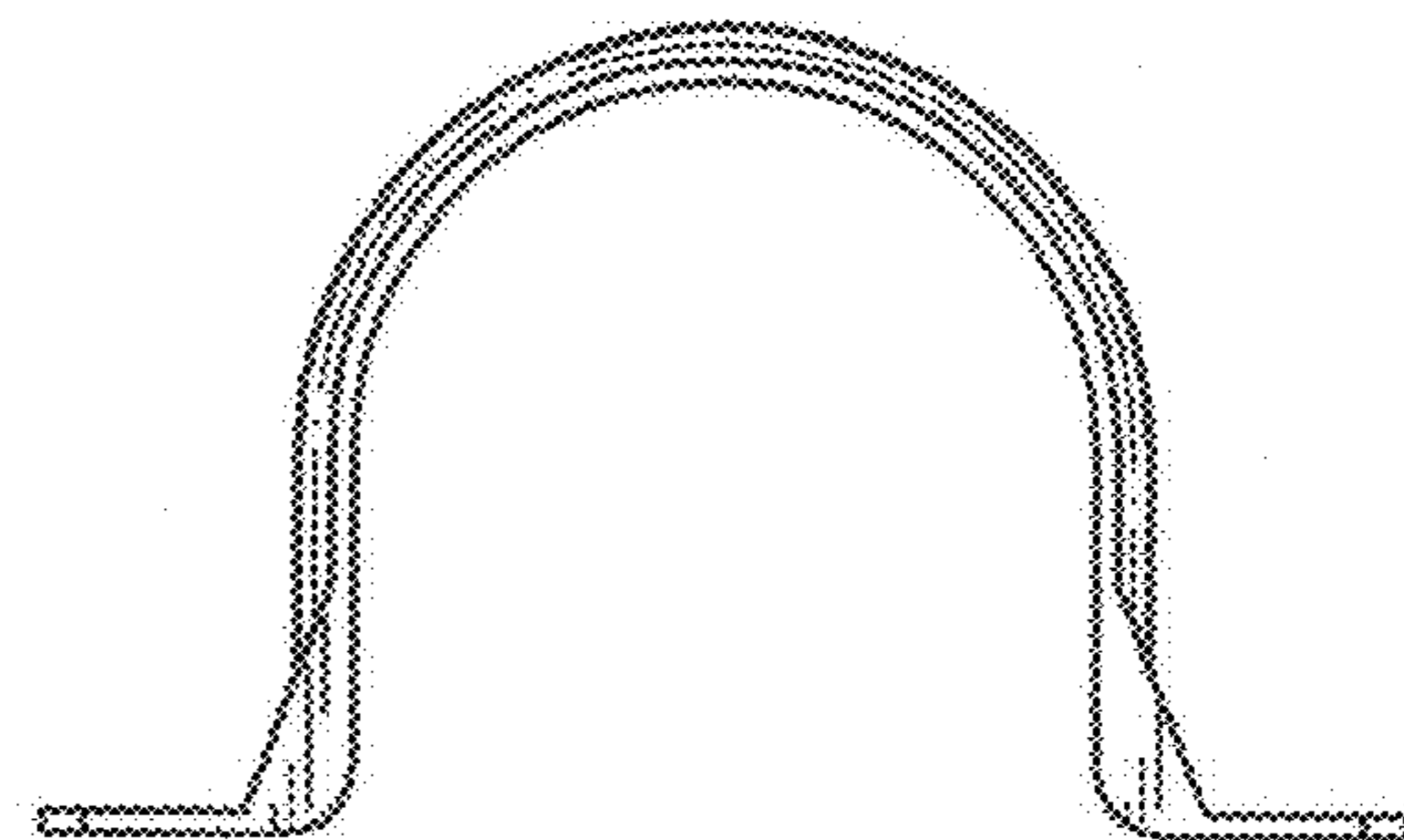


FIG. 4

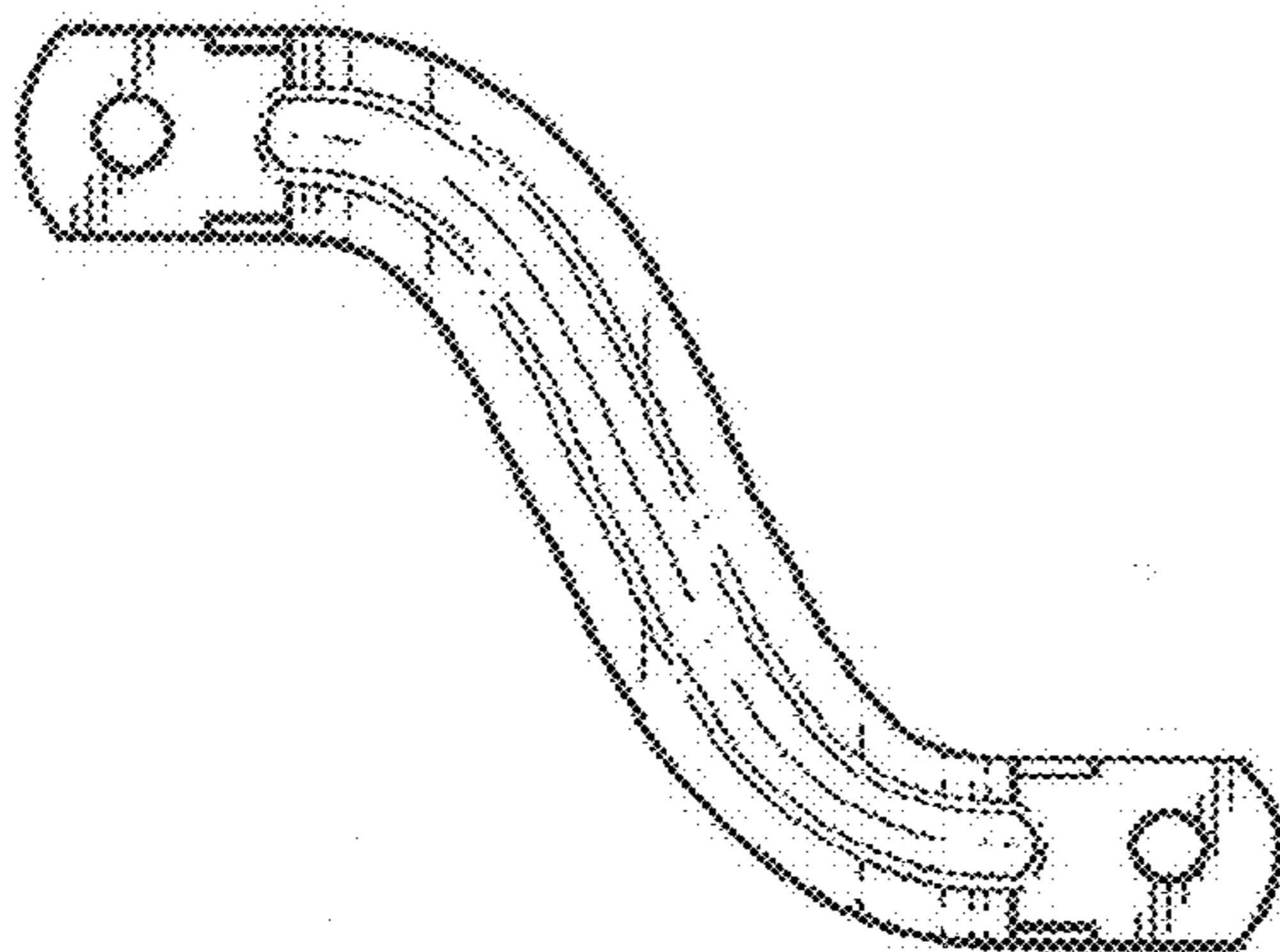


FIG. 5

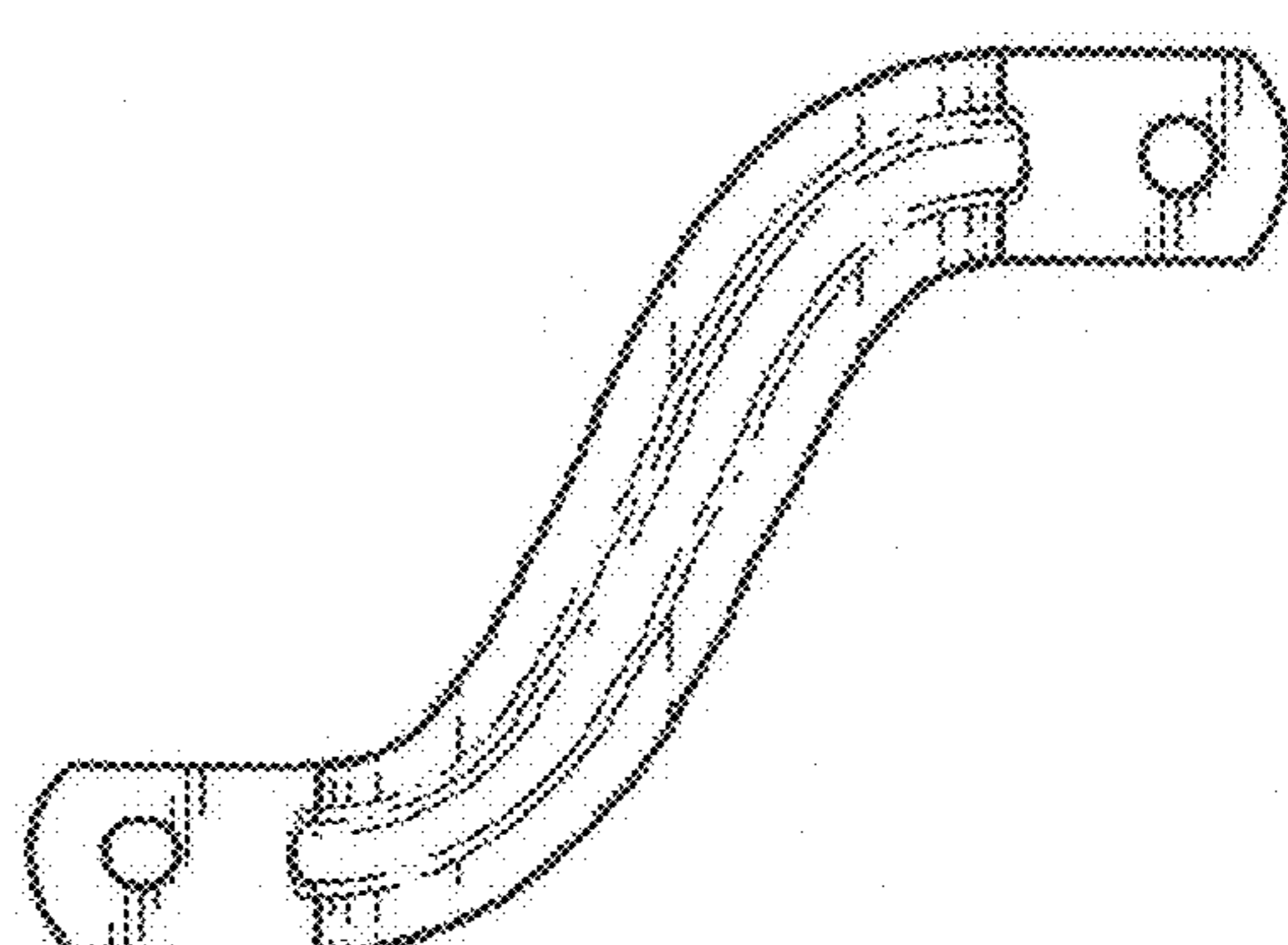


FIG. 6

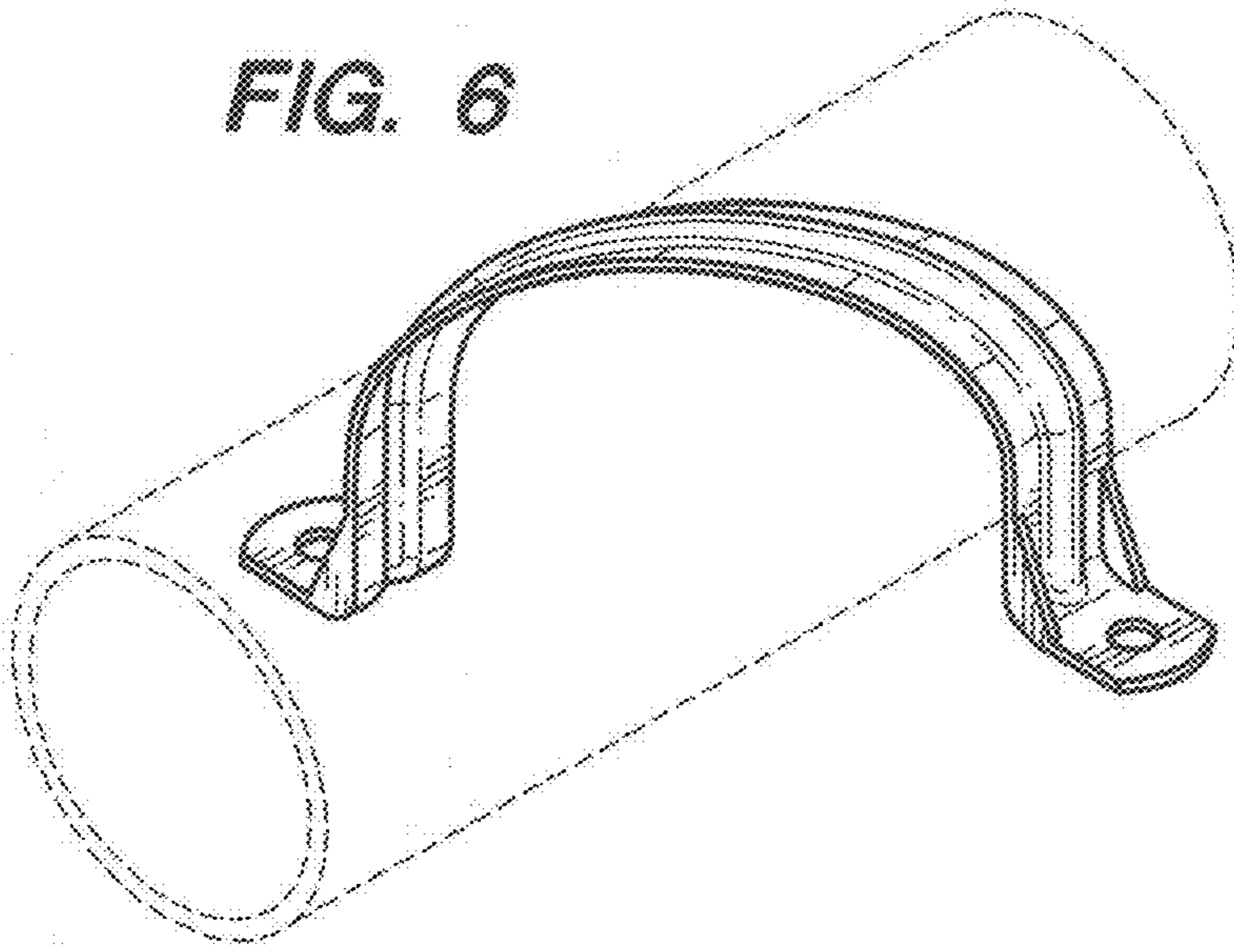


FIG. 7

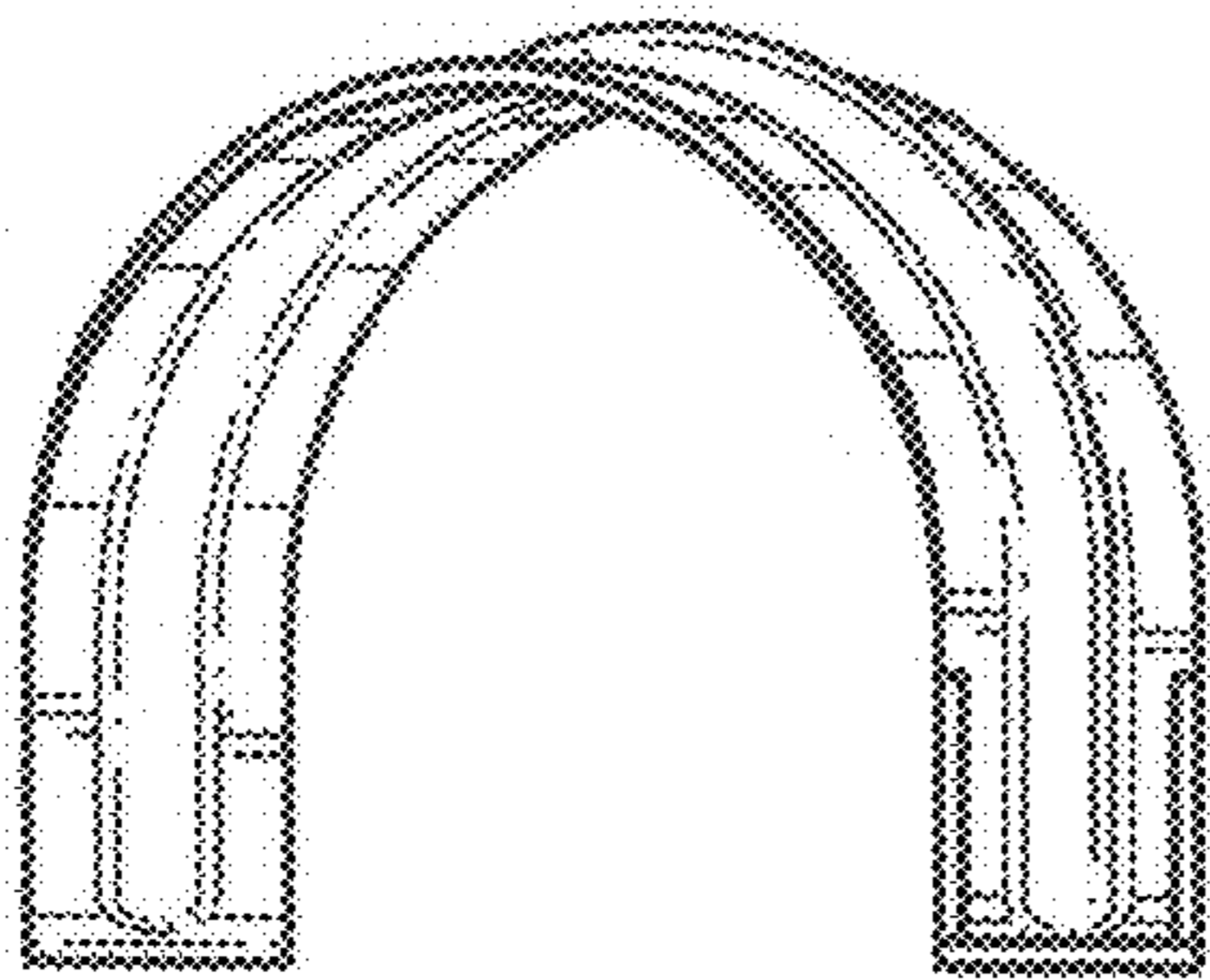


FIG. 8

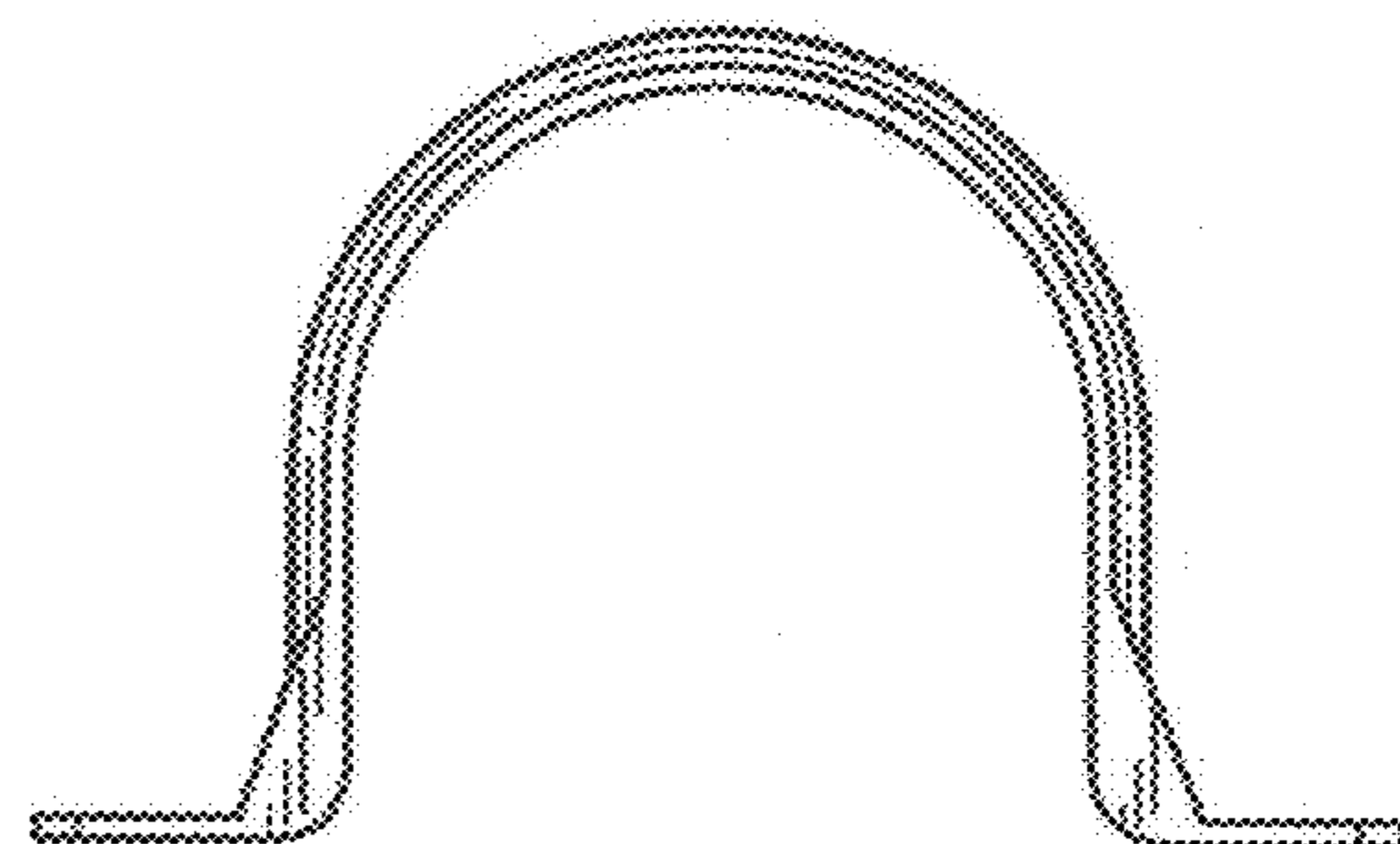


FIG. 9

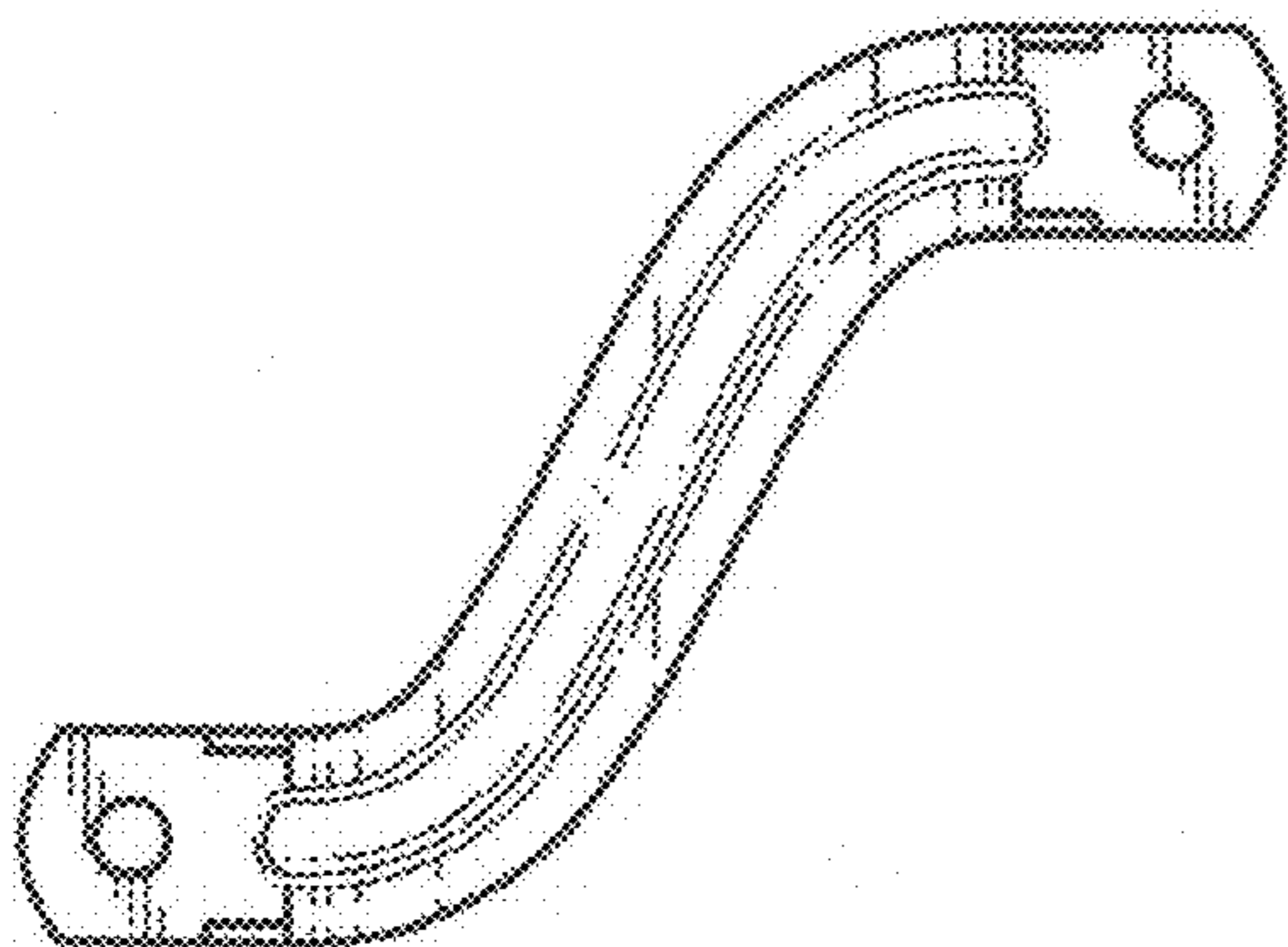


FIG. 10

