



US00D942846S

(12) **United States Design Patent** (10) **Patent No.:** **US D942,846 S**
Axelsson et al. (45) **Date of Patent:** **** Feb. 8, 2022**

(54) **FASTENING DEVICE** 6,262,691 B1 * 7/2001 Austin H01Q 1/1221
343/878
(71) Applicant: **MAFI AB**, Mora (SE) D454,479 S * 3/2002 Kolpin D8/349
6,535,177 B1 * 3/2003 Dhellemmes H01Q 1/084
343/765
(72) Inventors: **Andreas Axelsson**, Malung (SE); **Sven**
Bruckmann, Orsa (SE) D730,331 S * 5/2015 Wong D14/238
D876,201 S * 2/2020 Wassdahl D8/349
D876,211 S * 2/2020 Wassdahl D8/382
(73) Assignee: **MAFI AB**, Mora (SE) D907,991 S * 1/2021 Axelsson D8/382
D915,867 S * 4/2021 Axelsson D8/349
D931,717 S * 9/2021 Axelsson D8/382
(**) Term: **15 Years** 2002/0105477 A1 * 8/2002 Bragg H01Q 19/13
343/892
(21) Appl. No.: **29/800,052** 2002/0196195 A1 * 12/2002 Vermette H01Q 1/125
343/882
(22) Filed: **Jul. 19, 2021**

(Continued)

(30) **Foreign Application Priority Data**

Jan. 18, 2021 (EM) 008403513-0001
(51) **LOC (13) Cl.** **08-08**
(52) **U.S. Cl.**
USPC **D8/382**
(58) **Field of Classification Search**
USPC D8/16, 71, 72, 380, 381, 382, 349, 354,
D8/394; D10/103, 121; D13/133, 149,
D13/154
CPC H01Q 1/12; H01Q 1/1207; H01Q 1/1228;
H01Q 1/125; F16L 3/02; F16L 3/10;
F16L 3/1016; F16L 3/1091; F16B 2/12;
F16B 2/065; F16B 7/00; F16B 7/04;
F16B 7/0446; F16B 7/0486; F16M
13/022

See application file for complete search history.

(56) **References Cited**

U.S. PATENT DOCUMENTS

D296,545 S * 7/1988 Sachs D13/149
D296,546 S * 7/1988 Sachs D13/149
D332,939 S * 2/1993 McDonough, Jr. D13/149
D381,113 S * 7/1997 Safyan D13/149
6,031,508 A * 2/2000 Ishizuka H01Q 1/125
343/878

FOREIGN PATENT DOCUMENTS

EP 3419105 A1 * 12/2018 H01Q 1/1228
FR 2793607 A1 * 11/2000 H01Q 1/1207

(Continued)

Primary Examiner — Sandra Snapp
Assistant Examiner — Ieisha N Price
(74) *Attorney, Agent, or Firm* — Nixon & Vanderhye P.C.

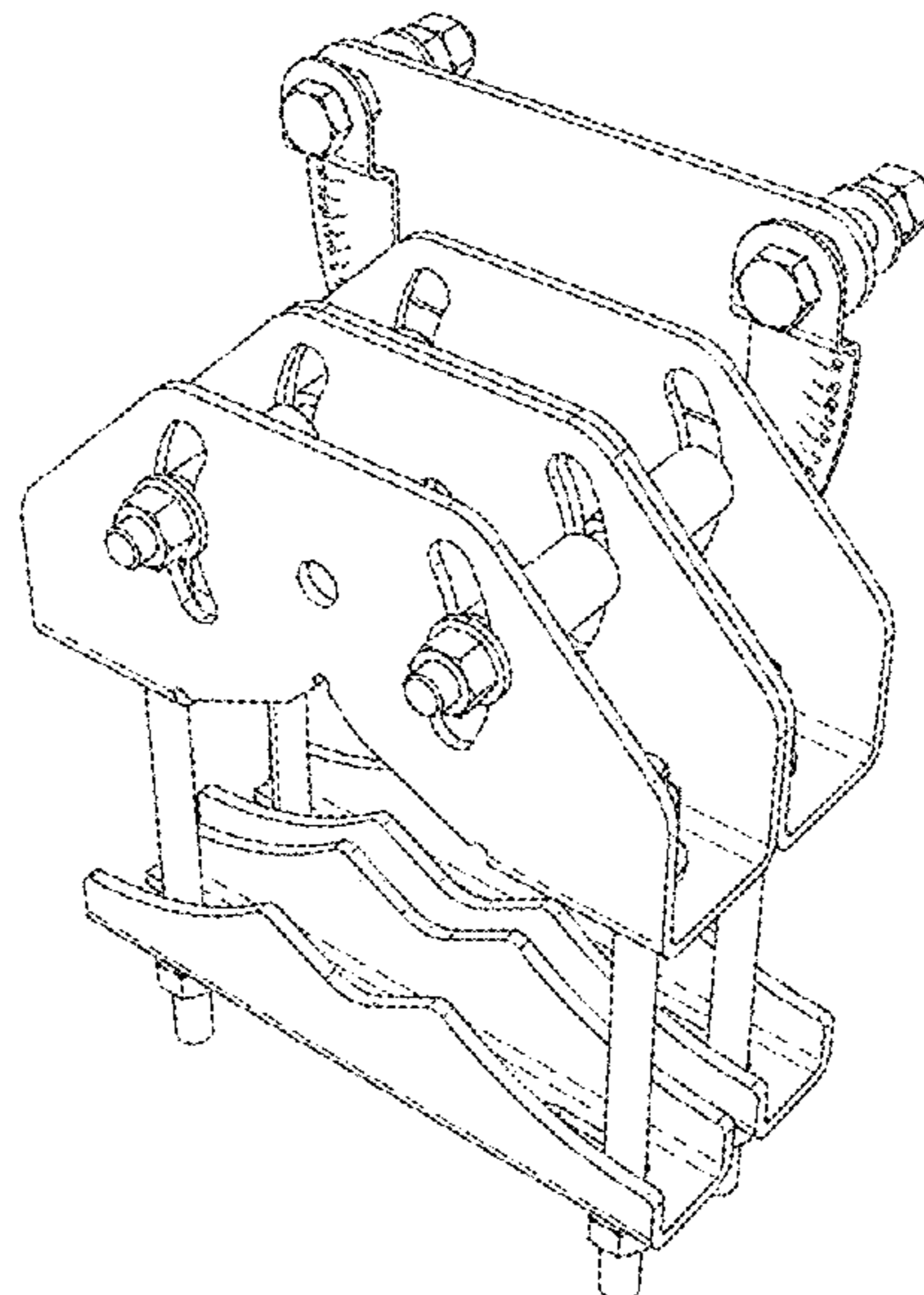
(57) **CLAIM**

The ornamental design for a fastening device, as shown and described.

DESCRIPTION

FIG. 1 is a rear, top, right side view of a fastening device;
FIG. 2 is a front, bottom, left side perspective view thereof;
FIG. 3 is a bottom view thereof;
FIG. 4 is a top view thereof;
FIG. 5 is a rear view thereof;
FIG. 6 is a front view thereof; and,
FIG. 7 is a left side view thereof, the right side being a mirror
image of.

1 Claim, 7 Drawing Sheets



(56)

References Cited

U.S. PATENT DOCUMENTS

2010/0309090 A1* 12/2010 Grice H01Q 3/08
343/882
2011/0074652 A1* 3/2011 Lewry H01Q 1/125
343/882
2011/0083399 A1* 4/2011 Lettkeman H01Q 1/1228
52/745.21
2011/0168855 A1* 7/2011 Bonczyk H01Q 1/1207
248/201
2011/0193764 A1* 8/2011 Shen H01Q 3/02
343/882
2012/0019424 A1* 1/2012 Syed H01Q 1/1228
343/756
2012/0026065 A1* 2/2012 Lo H01Q 1/1228
343/890
2013/0221182 A1* 8/2013 Renilson H01Q 1/125
248/534
2013/0256477 A1* 10/2013 Fackler F16M 11/10
248/201
2014/0266943 A1* 9/2014 Thomson H01Q 1/125
343/765
2014/0346294 A1* 11/2014 Lewry H01Q 1/125
248/201
2014/0347246 A1* 11/2014 Lewry H01Q 1/1228
343/892
2015/0034785 A1* 2/2015 Xiao H01Q 3/08
248/288.11
2016/0104941 A1* 4/2016 Lee H01Q 1/1228
343/702
2016/0211569 A1* 7/2016 Skrepcinski H01Q 1/1228

2016/0261030 A1* 9/2016 Kim H01Q 1/1264
2016/0294036 A1* 10/2016 Christie H01Q 1/125
2016/0322697 A1* 11/2016 Skrepcinski H01Q 1/1235
2016/0352042 A1* 12/2016 Wankoff H01R 24/52
2016/0352376 A1* 12/2016 Shimizu H01Q 1/1228
2017/0264005 A1* 9/2017 Roy H01Q 1/1228
2017/0288292 A1* 10/2017 Renilson H01Q 3/08
2018/0083337 A1* 3/2018 Roy H01Q 1/1228
2019/0203878 A1* 7/2019 Deng H04B 1/38
2020/0185827 A1* 6/2020 Kaistha H01Q 1/246
2020/0318674 A1* 10/2020 Axelsson F16B 37/047
2020/0321678 A1* 10/2020 Renilson H01Q 1/1228
2020/0321679 A1* 10/2020 Liu H01Q 1/1228
2021/0025415 A1* 1/2021 Liao G10D 13/28
2021/0066779 A1* 3/2021 Udagave H01Q 1/246
2021/0075083 A1* 3/2021 Udagave H01Q 1/125
2021/0167589 A1* 6/2021 Klein H05K 7/02
2021/0190237 A1* 6/2021 Bell H01Q 1/1228
2021/0194109 A1* 6/2021 Shao H01Q 3/08
2021/0226314 A1* 7/2021 Kolokotronis H01Q 1/1228
2021/0336322 A1* 10/2021 Isambard H01Q 1/125

FOREIGN PATENT DOCUMENTS

WO WO-2004109845 A1* 12/2004 H01Q 1/125
WO WO-2008154514 A2* 12/2008 G01B 21/24
WO WO-2018068813 A1* 4/2018 B66D 1/28
WO WO-2018068816 A1* 4/2018 H01Q 1/1228
WO WO-2019120498 A1* 6/2019 H01Q 1/1228
WO WO-2019174717 A1* 9/2019 H01Q 1/084
WO WO-2021006521 A* 1/2021 F16C 11/04
WO WO-2021034005 A1* 2/2021 H01Q 3/08
WO WO-2021141430 A1* 7/2021 H01Q 1/12

* cited by examiner

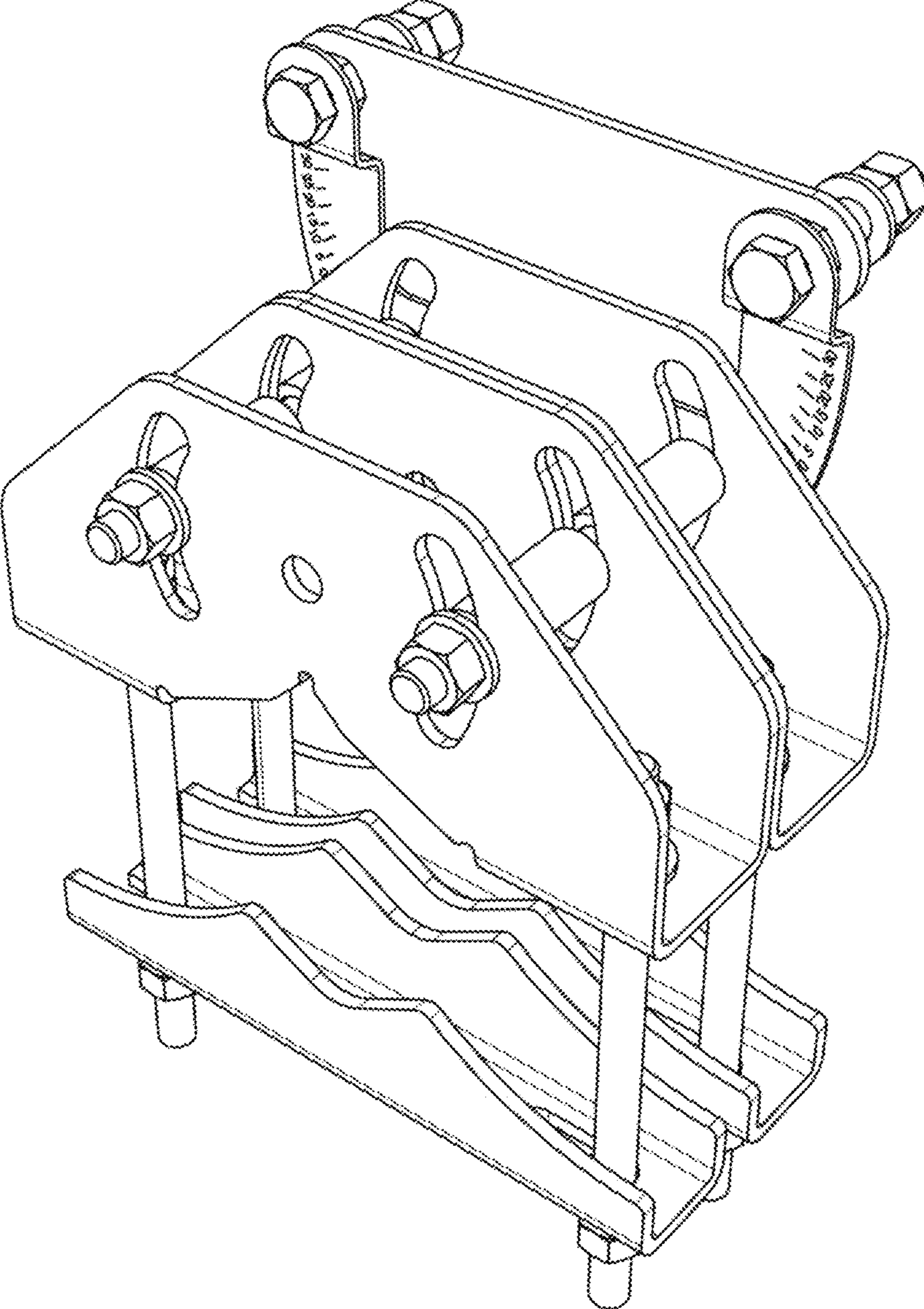


FIG. 1

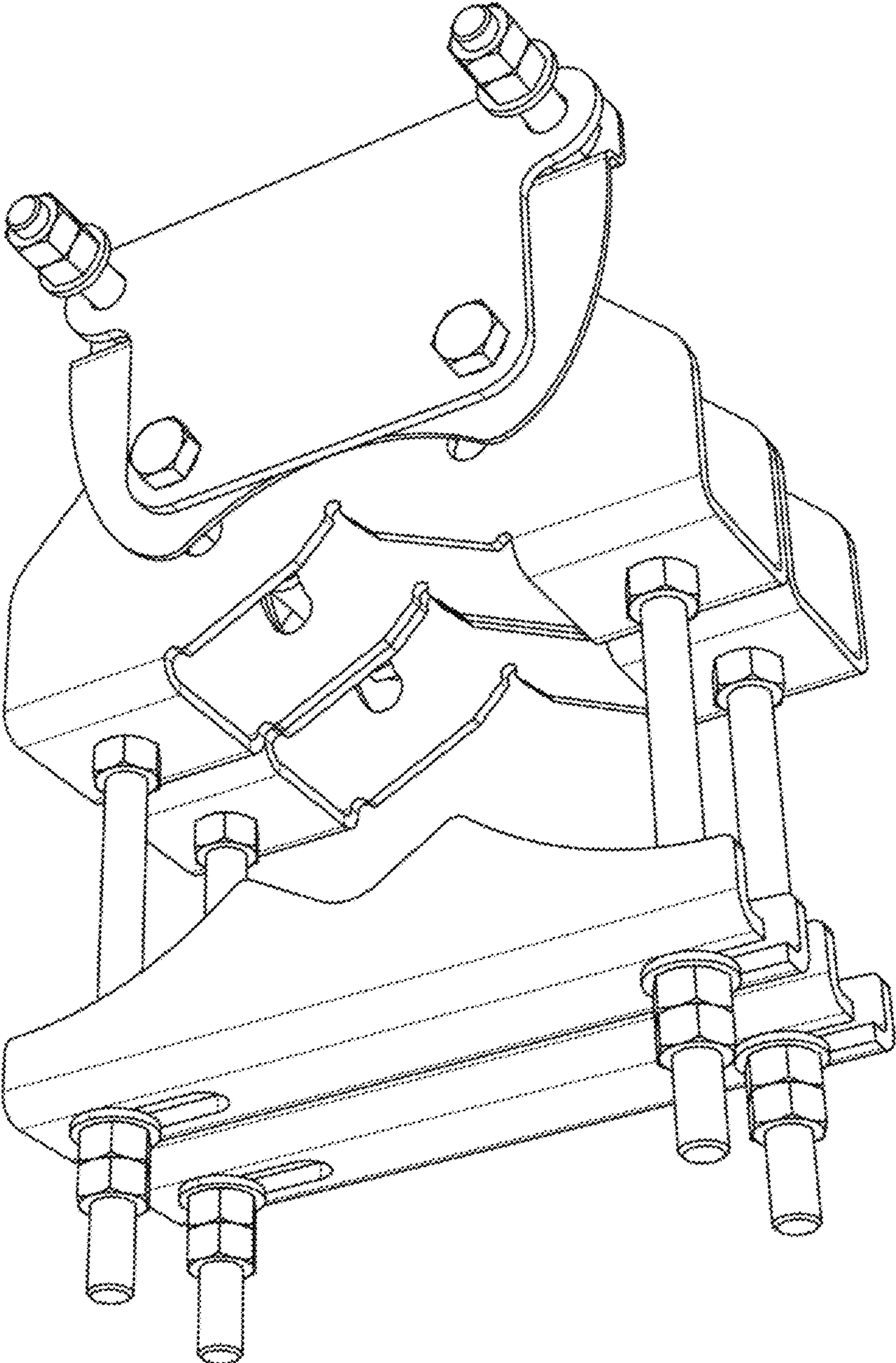


FIG. 2

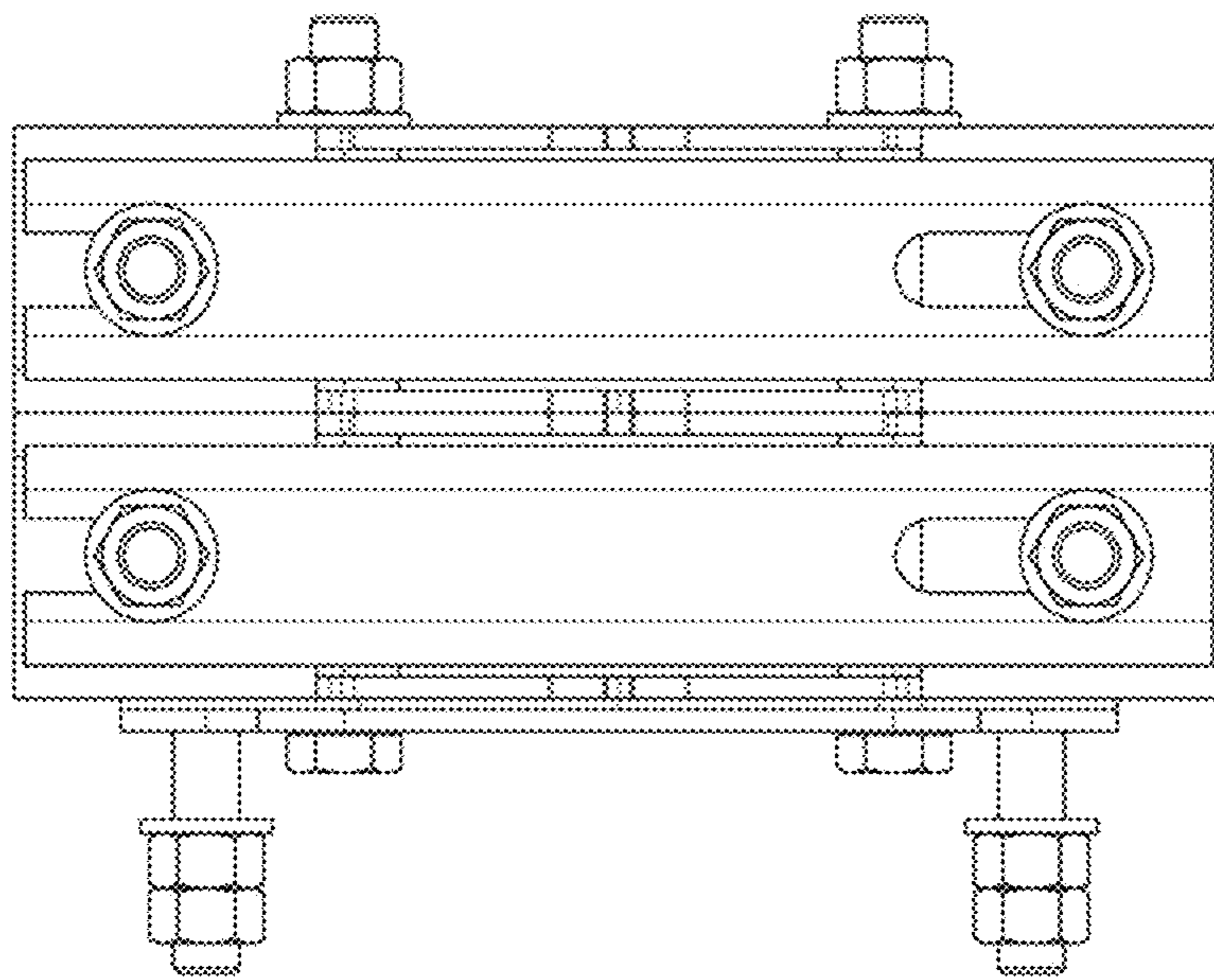


FIG. 3

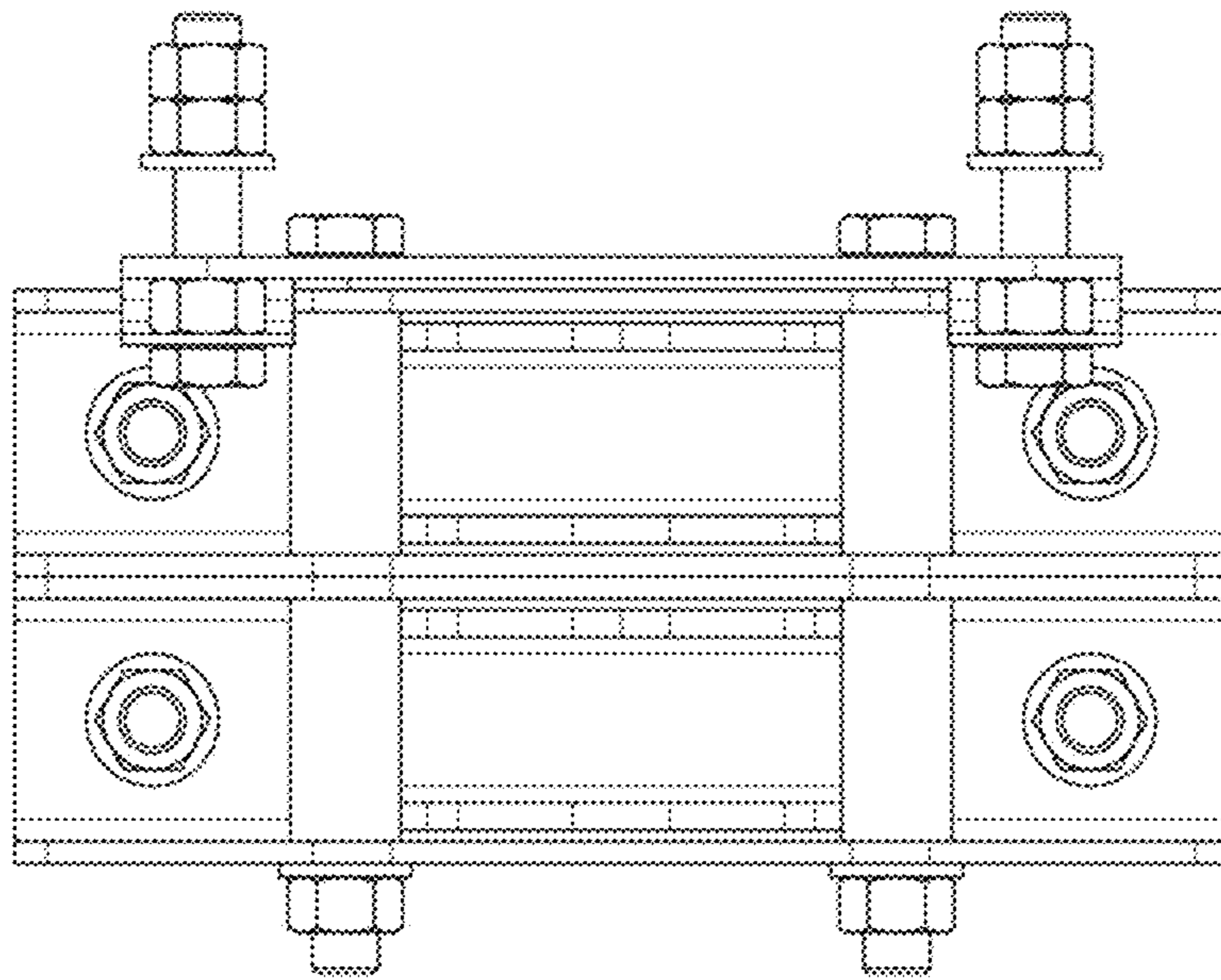


FIG. 4

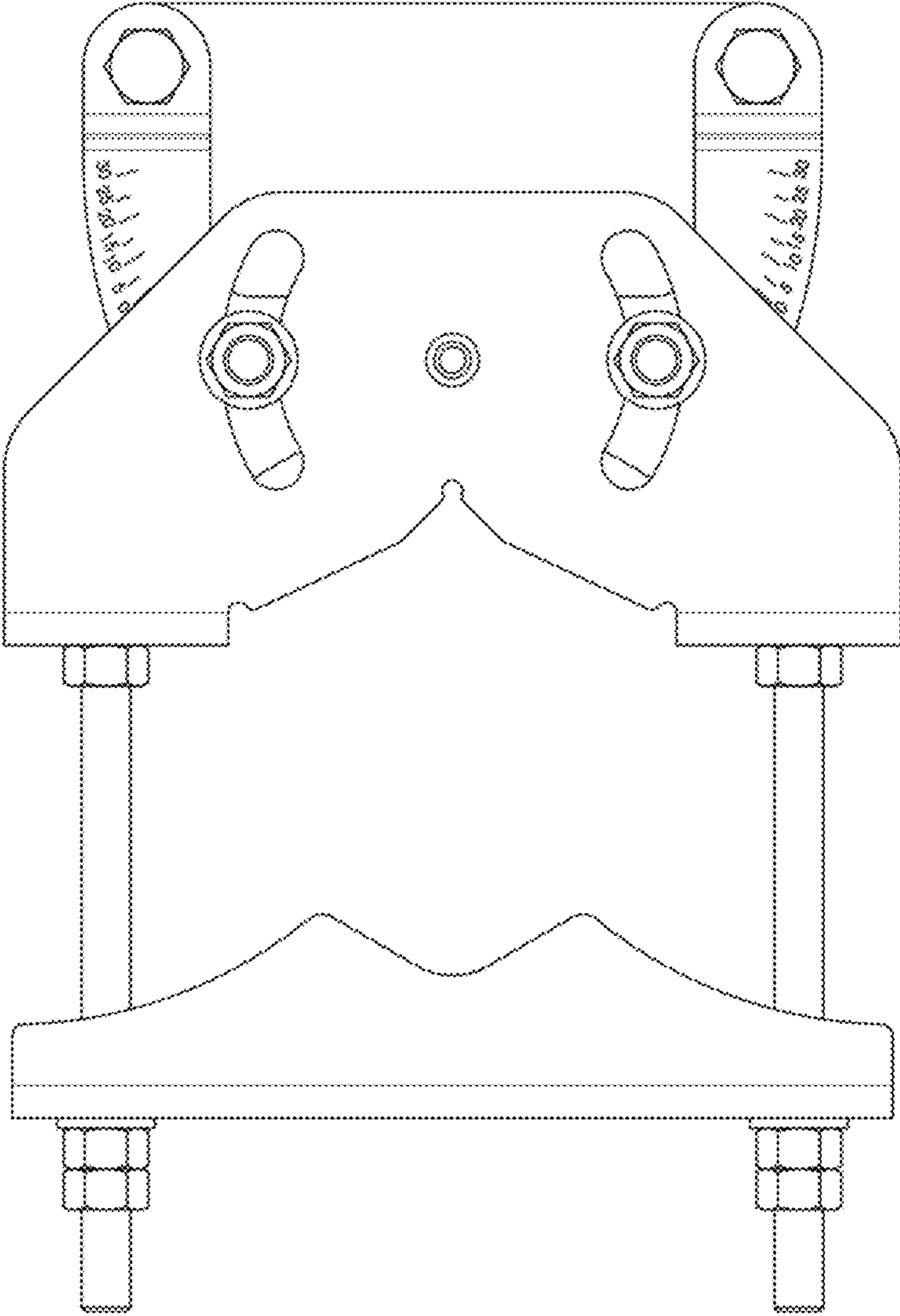


FIG. 5

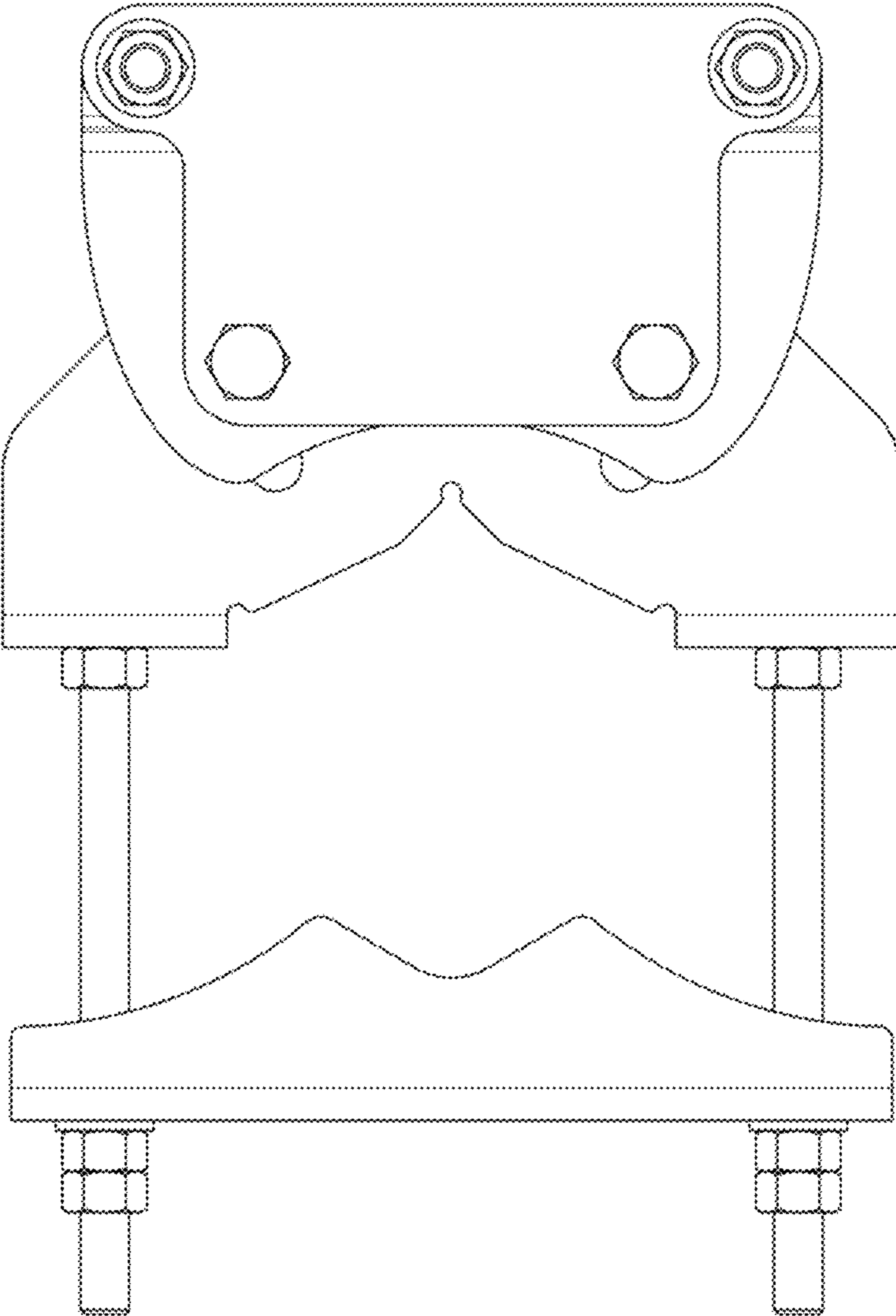


FIG. 6

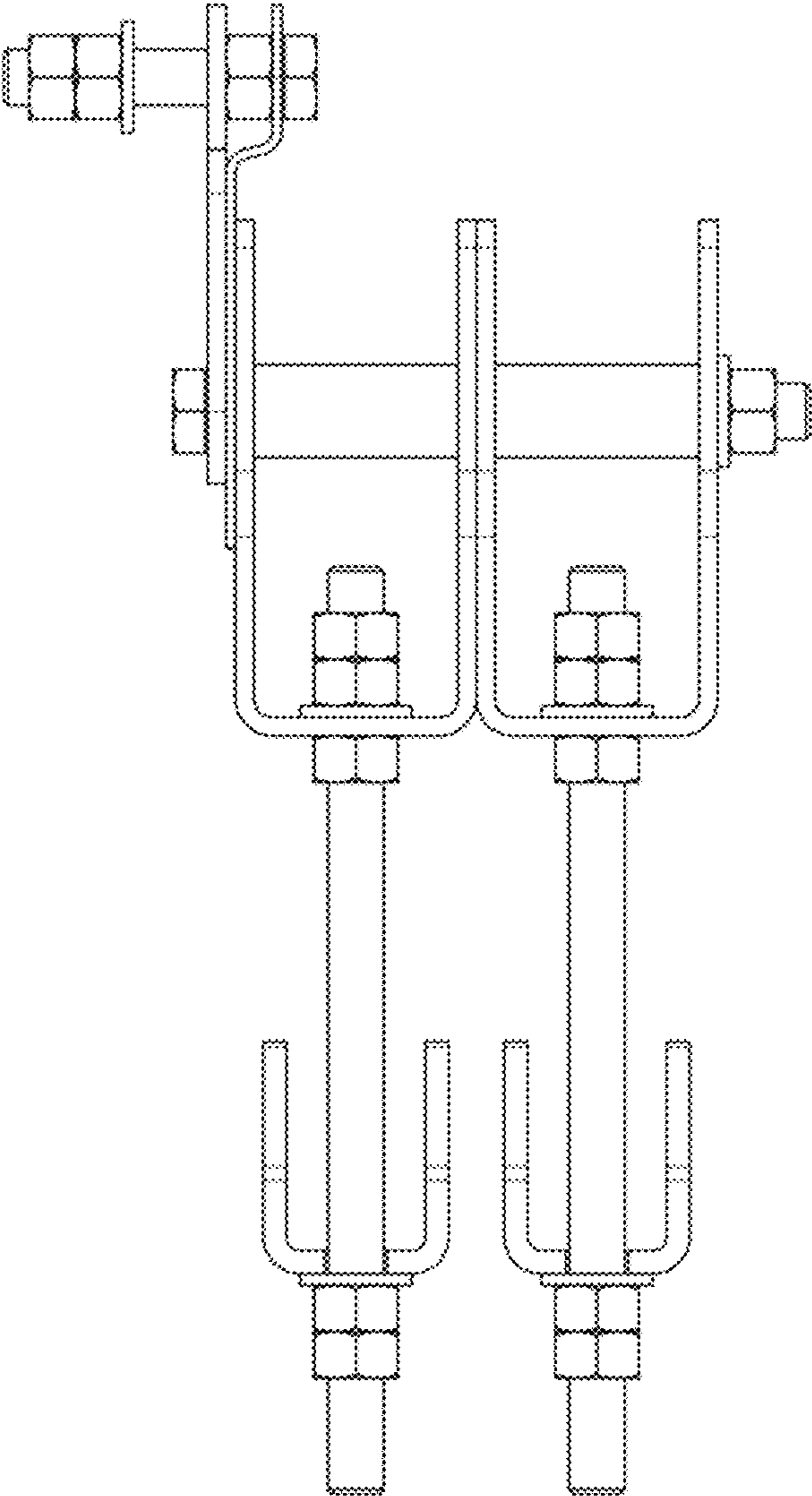


FIG. 7