



US00D942845S

(12) **United States Design Patent** (10) **Patent No.:** **US D942,845 S**  
**Iacono** (45) **Date of Patent:** **\*\* Feb. 8, 2022**

(54) **DOWEL PIN**  
(71) Applicant: **EVOLVE PRODUCTS GROUP, LLC**, Oakbrook Terrace, IL (US)  
(72) Inventor: **John R. Iacono**, Elmhurst, IL (US)  
(73) Assignee: **EVOLVE PRODUCTS GROUP, LLC**, Oakbrook Terrace, IL (US)  
(\*\*) Term: **15 Years**  
(21) Appl. No.: **29/706,698**  
(22) Filed: **Sep. 23, 2019**  
(51) **LOC (13) Cl.** ..... **08-08**  
(52) **U.S. Cl.**  
USPC ..... **D8/382**  
(58) **Field of Classification Search**  
USPC ..... D8/382, 349, 385, 387-388, 391, 393;  
D23/258, 262  
CPC .... A47B 2230/0077; A47B 2230/0081; A47B  
47/025; A47B 47/042; F16B 12/125;  
F16B 12/22; F16B 12/24; F16B 19/00;  
F16B 19/008; F16B 2005/0678; F16B  
21/086; F16B 2/22; F16B 5/0084; F16B  
5/0607; F16B 5/0657  
See application file for complete search history.

3,966,339 A 6/1976 Nemecek et al.  
D269,759 S \* 7/1983 Wollar ..... D8/382  
4,454,699 A 6/1984 Strobel  
4,597,594 A 7/1986 Kacalief et al.  
4,681,477 A 7/1987 Fischer  
D318,102 S 7/1991 Papai  
D333,178 S 2/1993 Novy  
D347,381 S \* 5/1994 Carruthers ..... D8/382  
D347,382 S \* 5/1994 Carruthers ..... D8/382  
D347,383 S \* 5/1994 Carruthers ..... D8/382  
5,685,682 A 11/1997 Glime et al.  
5,772,551 A 6/1998 Mabie  
D418,397 S \* 1/2000 Sasa ..... D8/382  
6,176,662 B1 1/2001 Champney et al.  
6,761,008 B2 7/2004 Chen et al.  
D581,772 S \* 12/2008 Hozen ..... D8/382

(Continued)

*Primary Examiner* — Susan Bennett Hattan  
*Assistant Examiner* — Elizabeth S Ko  
(74) *Attorney, Agent, or Firm* — Baker & McKenzie

(57) **CLAIM**

The ornamental design for a dowel pin, as shown and described.

**DESCRIPTION**

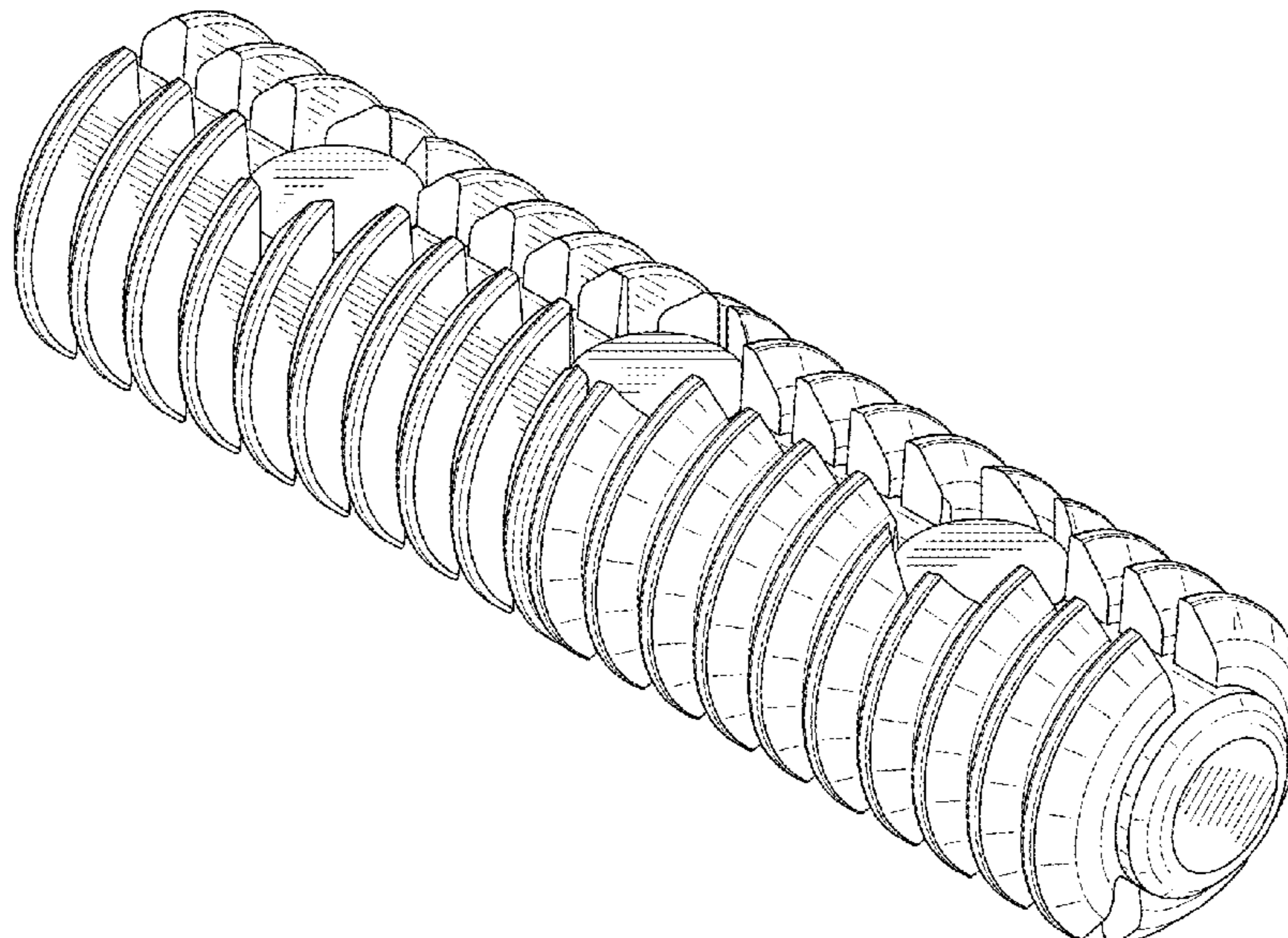
FIG. 1 is a perspective view of a dowel pin in accordance with my design;  
FIG. 2 is a right view of a dowel pin in accordance with my design;  
FIG. 3 is a left view of a dowel pin in accordance with my design;  
FIG. 4 is a back view of a dowel pin in accordance with my design;  
FIG. 5 is a front view of a dowel pin in accordance with my design;  
FIG. 6 is a top view of a dowel pin in accordance with my design; and,  
FIG. 7 is a bottom view of a dowel pin in accordance with my design.

(56) **References Cited**

U.S. PATENT DOCUMENTS

509,458 A 11/1893 Still  
D31,685 S 10/1899 Spear  
928,237 A 7/1909 Baird  
1,996,855 A 4/1935 Cheswright  
3,405,592 A 10/1968 Blodee  
3,736,834 A 6/1973 McDonald  
3,883,258 A \* 5/1975 Hewson ..... F16B 12/24  
403/298  
3,883,834 A 5/1975 Hewson  
3,943,818 A 3/1976 Pryor et al.

**1 Claim, 4 Drawing Sheets**



(56)

**References Cited**

U.S. PATENT DOCUMENTS

7,766,396	B1	8/2010	Elbaz	
D654,150	S	2/2012	Bonhag et al.	
8,511,962	B2 *	8/2013	Schuech .....	F16B 21/082 411/510
D741,159	S *	10/2015	Campbell .....	D8/387
D774,628	S	12/2016	Provenzano et al.	
D778,715	S *	2/2017	Deachin .....	D8/382
D807,158	S	1/2018	Wu	
D816,469	S *	5/2018	Toomey .....	D8/387
D818,806	S *	5/2018	Copeland .....	D8/387
D820,073	S *	6/2018	Iacono .....	D8/382
D859,134	S *	9/2019	Iacono .....	D8/382
D882,384	S *	4/2020	Bastian .....	D8/382
D883,077	S *	5/2020	Koelling .....	A47B 47/04 D8/382
D927,295	S *	8/2021	Lanois .....	D8/387
2003/0231943	A1 *	12/2003	Detter .....	F16B 21/084 411/510
2005/0067019	A1	3/2005	Trueb et al.	
2014/0081340	A1	3/2014	McDaniel et al.	
2014/0169912	A1	6/2014	Sutterluetti	

\* cited by examiner

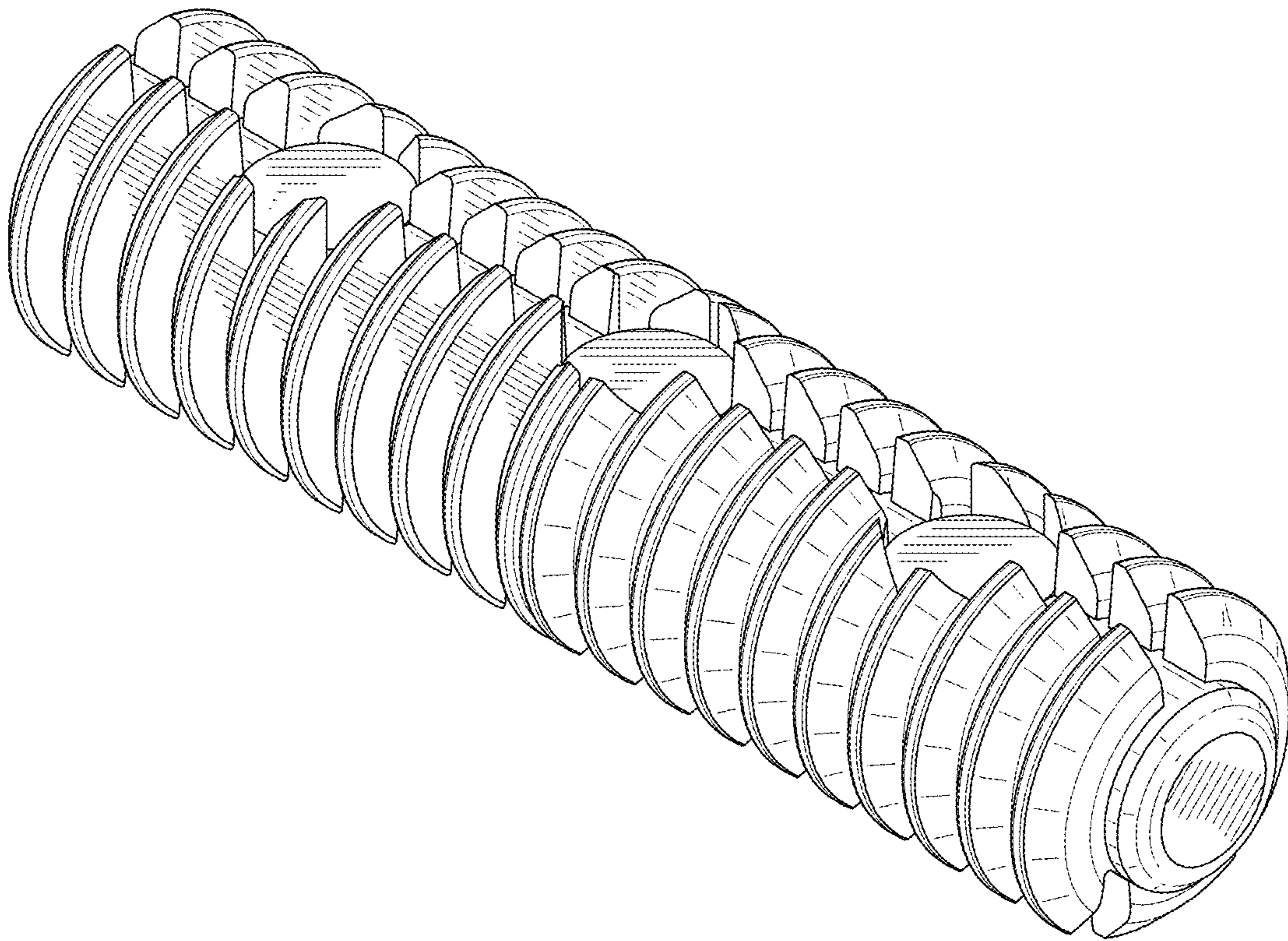


FIG. 1

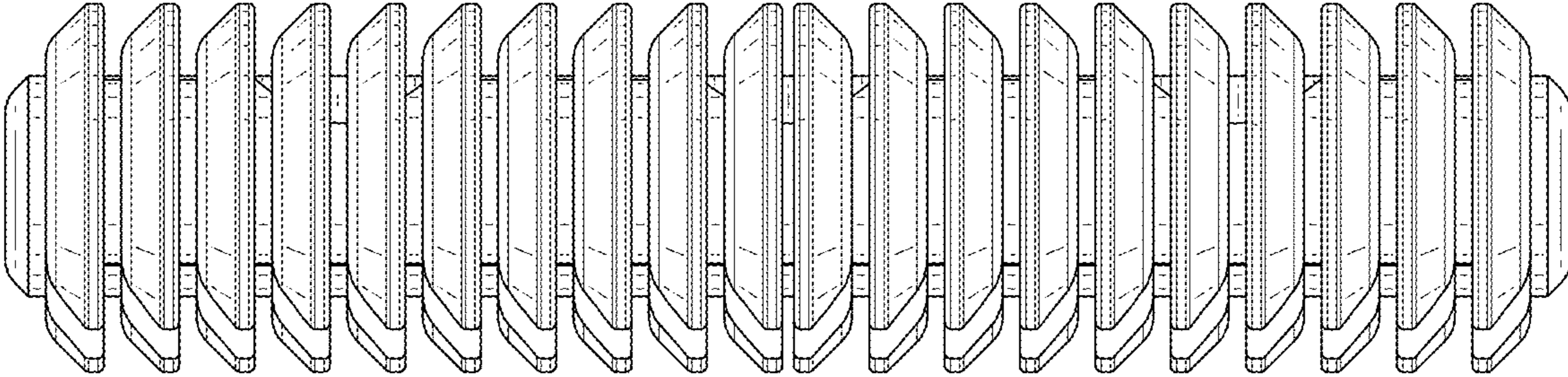


FIG. 2

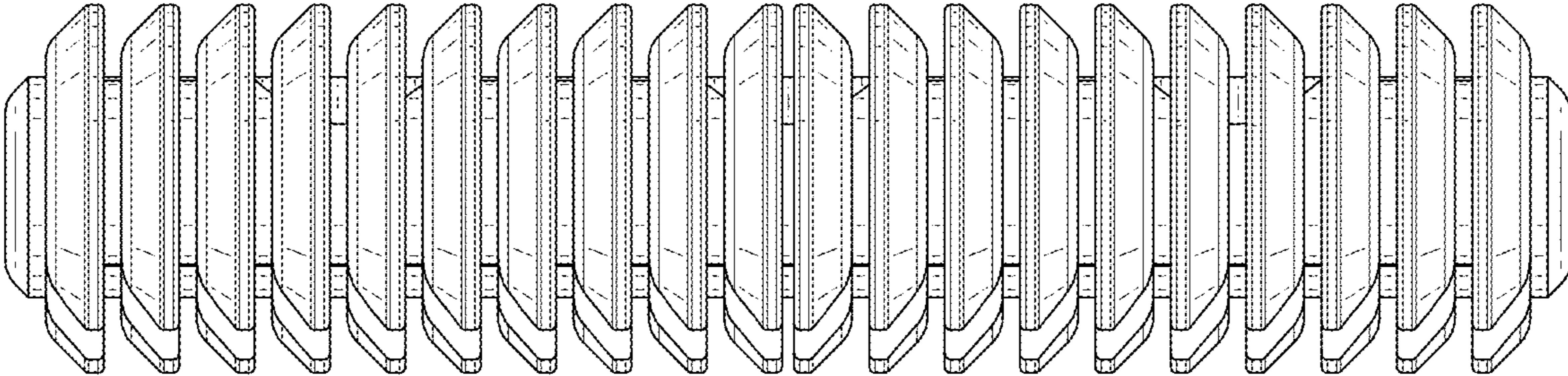


FIG. 3

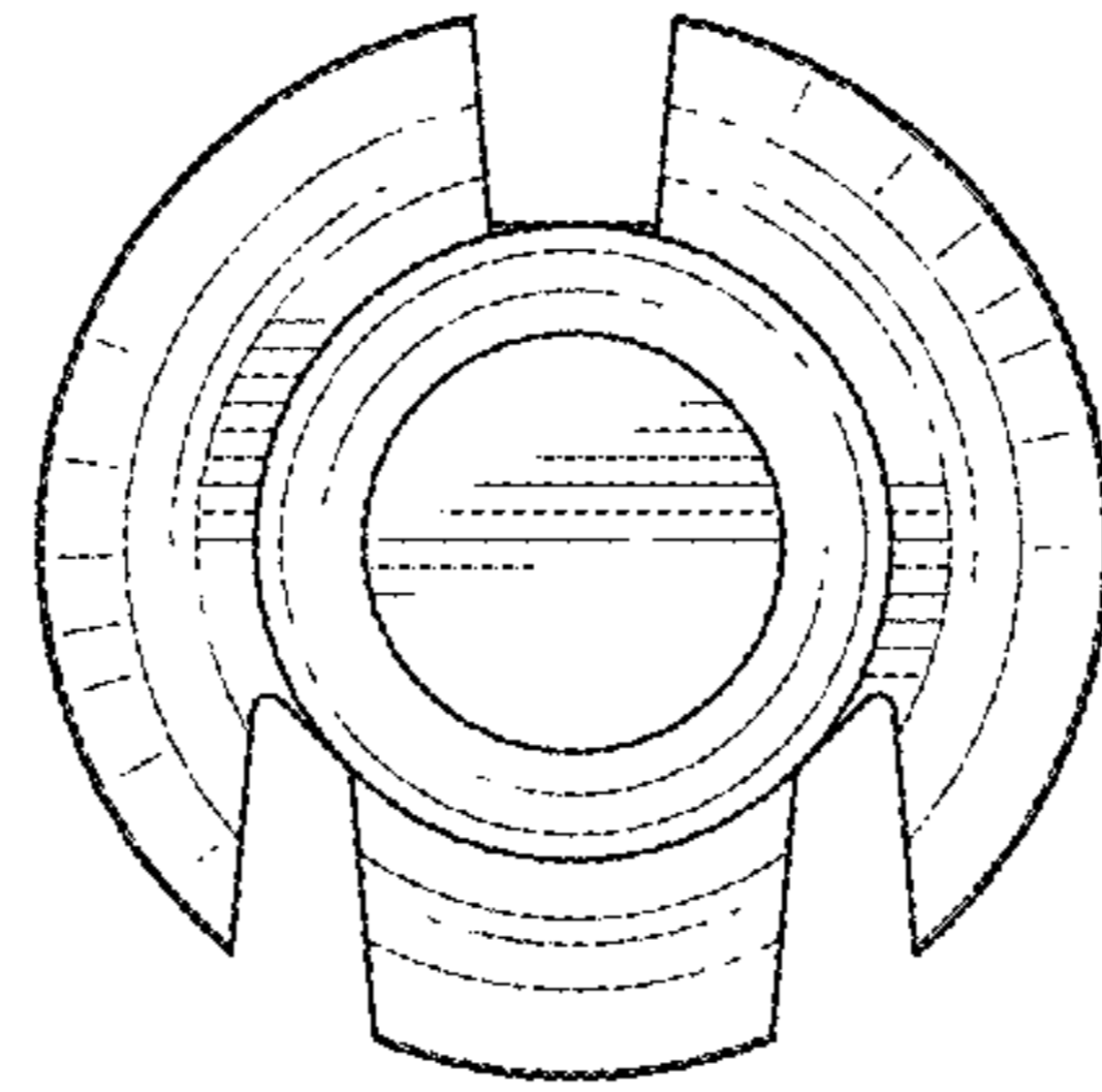


FIG. 4

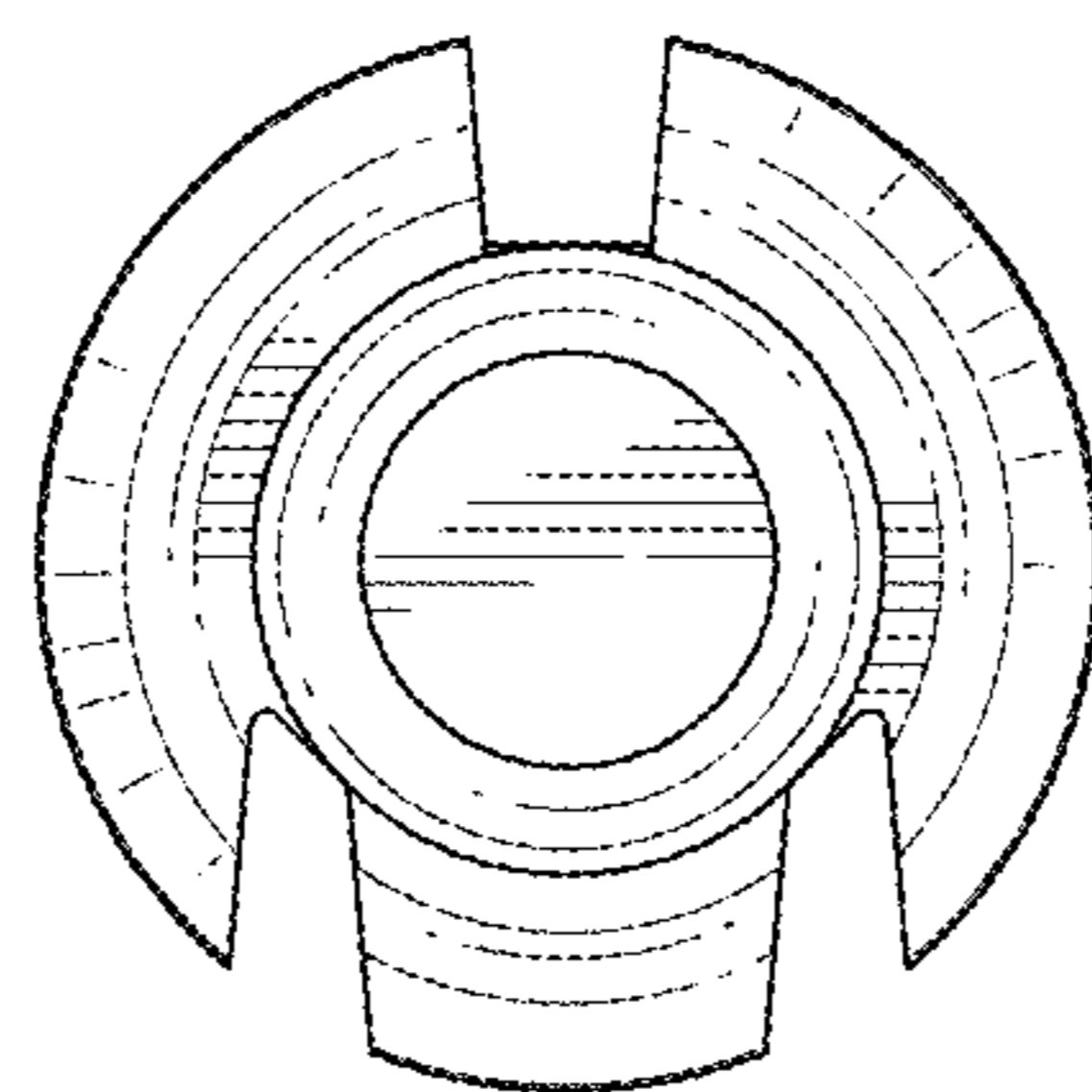


FIG. 5

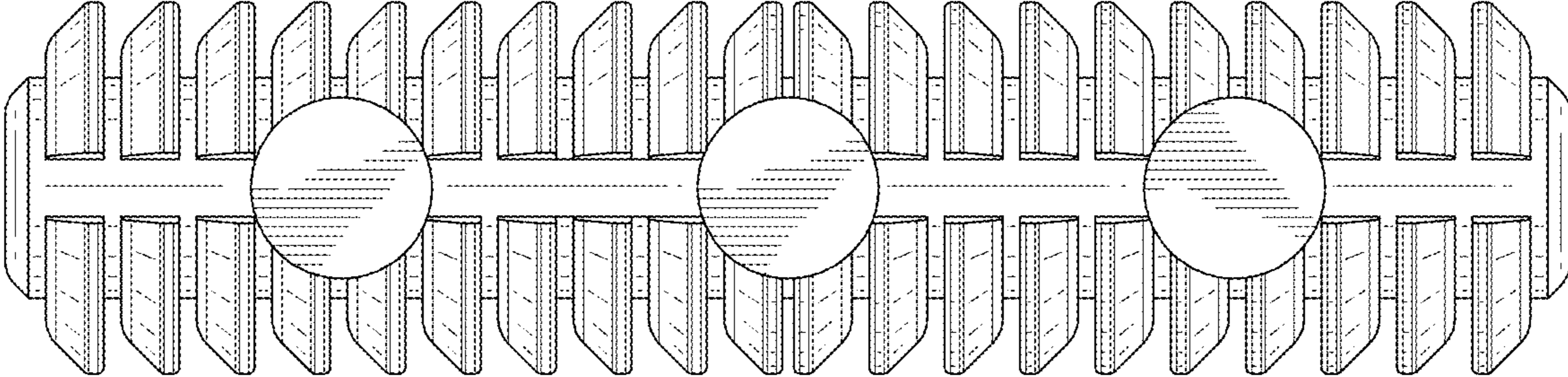


FIG. 6

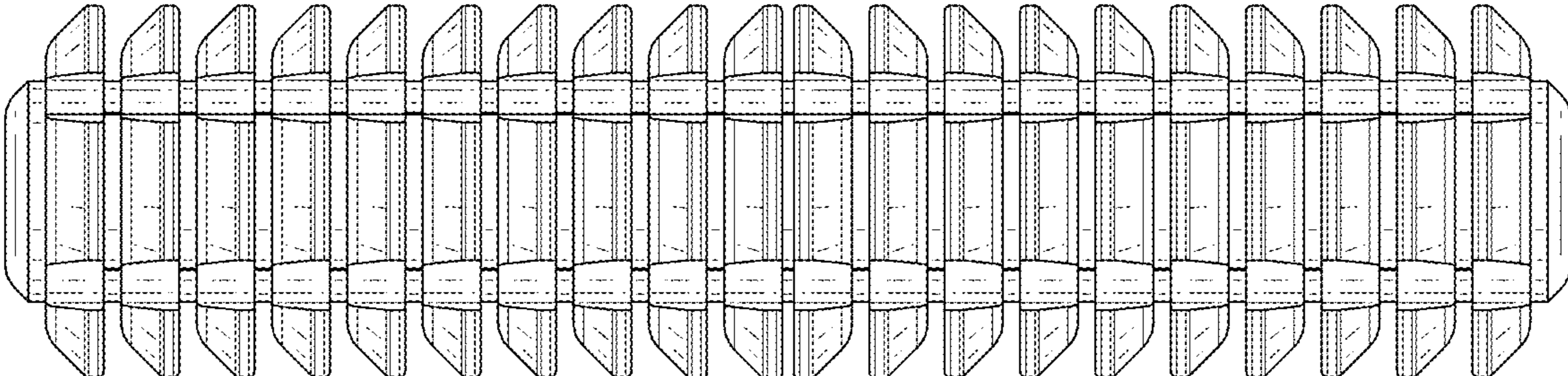


FIG. 7