



US00D942844S

(12) **United States Design Patent** (10) **Patent No.:** **US D942,844 S**  
**Davenport et al.** (45) **Date of Patent:** **\*\* Feb. 8, 2022**

- (54) **WALL MOUNTED HANGER**
- (71) Applicant: **3M INNOVATIVE PROPERTIES COMPANY**, St. Paul, MN (US)
- (72) Inventors: **Mario A. Davenport**, St. Paul, MN (US); **Joseph A. Hoffman**, Minneapolis, MN (US); **Angela L. Pan**, Arden Hills, MN (US)
- (73) Assignee: **3M INNOVATIVE PROPERTIES COMPANY**, St. Paul, MN (US)
- (\*\*) Term: **15 Years**
- (21) Appl. No.: **29/710,778**
- (22) Filed: **Oct. 25, 2019**
- (51) **LOC (13) Cl.** ..... **08-08**
- (52) **U.S. Cl.**  
USPC ..... **D8/373**; D8/371
- (58) **Field of Classification Search**  
USPC ..... D8/367, 371, 372, 373  
CPC ..... A47B 96/027; A47F 5/0823; A47G 1/20;  
A47G 1/202; A47G 1/22; A47G 2001/0672; A47G 29/10; A47H 1/102;  
B43L 1/00; F16B 15/00; F16B 15/02;  
F16B 35/00; F16B 45/00; F16M 13/02  
See application file for complete search history.

6,641,106 B2 \* 11/2003 Beaty ..... A47G 1/20  
248/216.4  
D596,930 S \* 7/2009 Gaudron ..... D8/367  
D647,389 S \* 10/2011 Gracia ..... D8/367  
D682,663 S \* 5/2013 Evon ..... D8/367  
D714,623 S \* 10/2014 Pan ..... D8/367  
(Continued)

FOREIGN PATENT DOCUMENTS

EM 001174668-0001 \* 12/2009

OTHER PUBLICATIONS

Amazon, Hillman Fasteners 515314 8 Pc. Picture Hanger Assortment, Holds 20 Lbs.—2 Packs, Oldest Review Jul. 23, 2018, posted date unknown, [online], [site visited Jul. 8, 2021], Available from internet URL: [https://www.amazon.com/dp/B07FLFK74F/ref=cm\\_sw\\_em\\_r\\_mt\\_dp\\_PSV4XK5BQVEFZ00E23HS](https://www.amazon.com/dp/B07FLFK74F/ref=cm_sw_em_r_mt_dp_PSV4XK5BQVEFZ00E23HS) (Year: 2018).\*

(Continued)

*Primary Examiner* — Rachel A. Voorhies  
*Assistant Examiner* — Benjamin D. Wannemacher  
(74) *Attorney, Agent, or Firm* — 3M IPC

(57) **CLAIM**

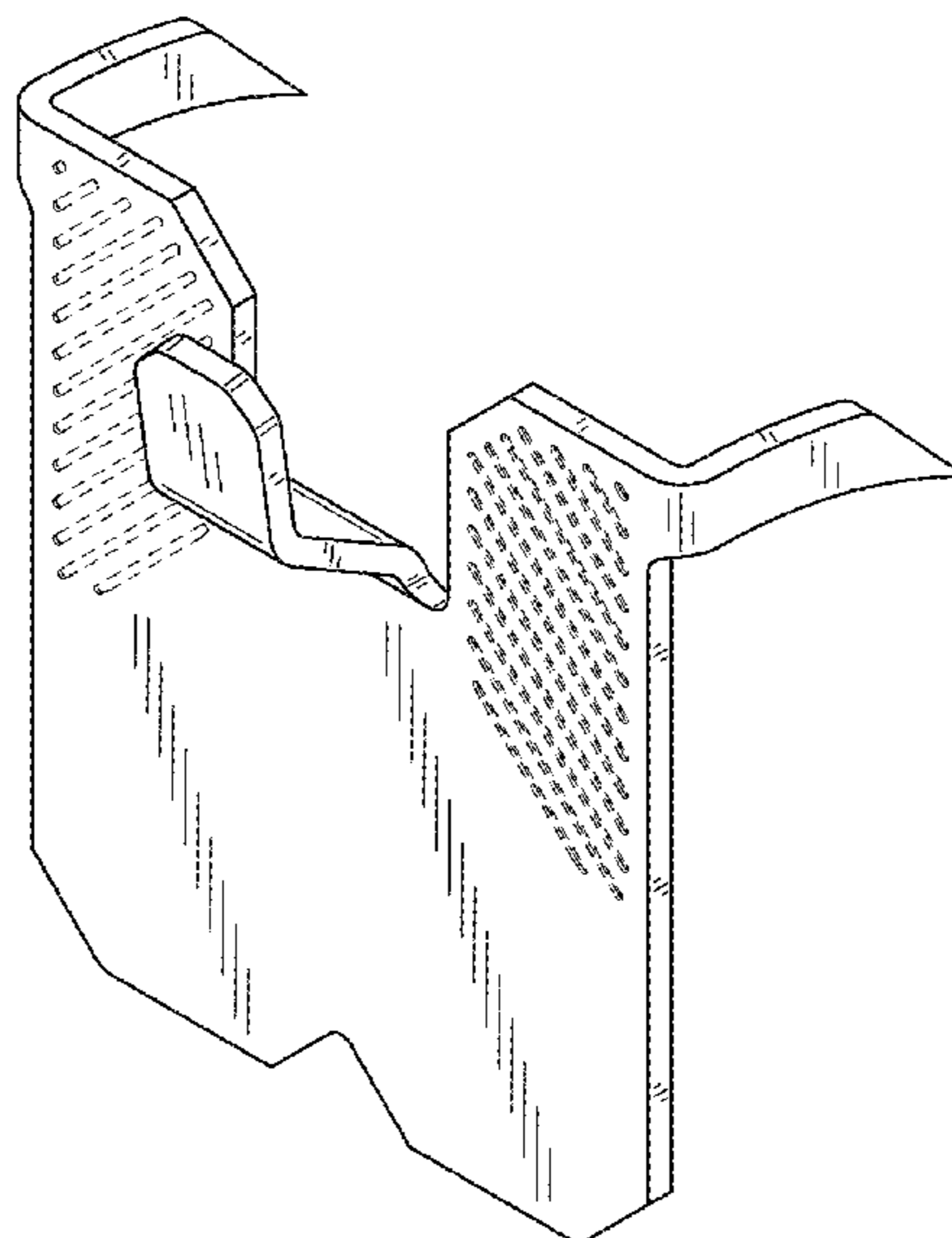
The ornamental design for a wall mounted hanger, as shown and described.

**DESCRIPTION**

FIG. 1 is a perspective view showing a new design for a wall mounted hanger;  
FIG. 2 is a front view thereof;  
FIG. 3 is a top view thereof;  
FIG. 4 is a right side view thereof;  
FIG. 5 is a left side view thereof;  
FIG. 6 is a bottom view thereof; and,  
FIG. 7 is a rear view thereof.  
The portions of the wall mounted hanger shown in broken lines in FIGS. 1 and 2 form no part of the claimed design.

**1 Claim, 3 Drawing Sheets**

- (56) **References Cited**  
U.S. PATENT DOCUMENTS  
1,651,392 A \* 12/1927 Honigbaum ..... A47G 1/22  
52/548  
2,454,813 A \* 11/1948 Larson ..... A47G 1/20  
248/493  
D344,010 S \* 2/1994 Brazis ..... D8/367  
D386,389 S \* 11/1997 Hofman ..... D8/367  
D444,053 S \* 6/2001 Harvey ..... D8/367  
6,325,345 B1 \* 12/2001 Carpenter ..... A47B 96/068  
248/217.3



(56)

**References Cited**

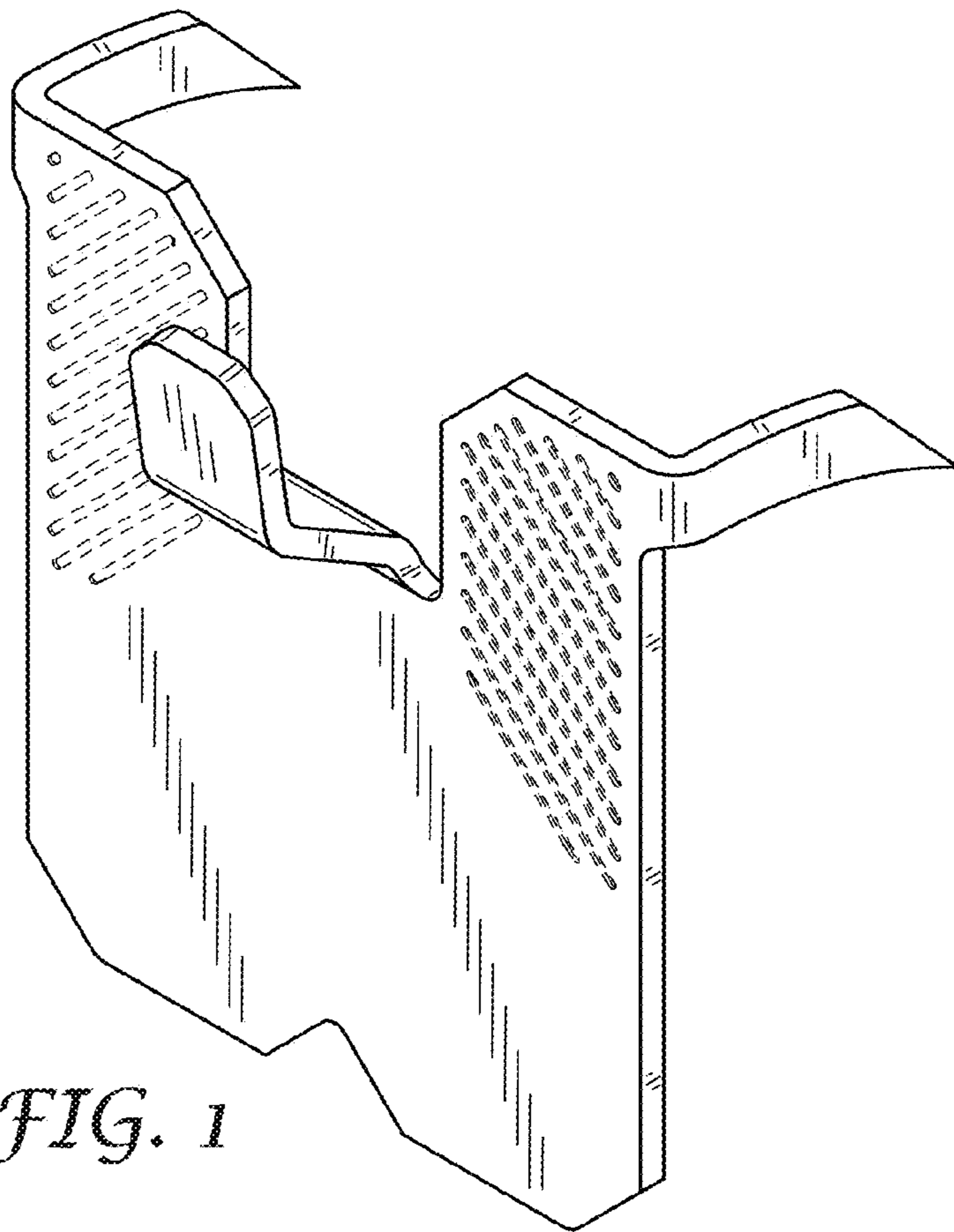
U.S. PATENT DOCUMENTS

9,775,450 B2 \* 10/2017 Will ..... A47G 1/1633  
D8/367  
10,197,217 B2 \* 2/2019 Will ..... A47G 1/1633  
D8/367  
10,206,526 B1 \* 2/2019 Blakeslee ..... A47G 1/22  
D8/367  
D842,081 S \* 3/2019 Thompson ..... D8/367  
D842,082 S \* 3/2019 Thompson ..... D8/367  
D853,223 S \* 7/2019 Chang ..... D8/367  
10,799,025 B2 \* 10/2020 Malott ..... A47B 96/06  
D8/367  
2004/0051022 A1 \* 3/2004 Week ..... A47G 1/20  
248/475.1

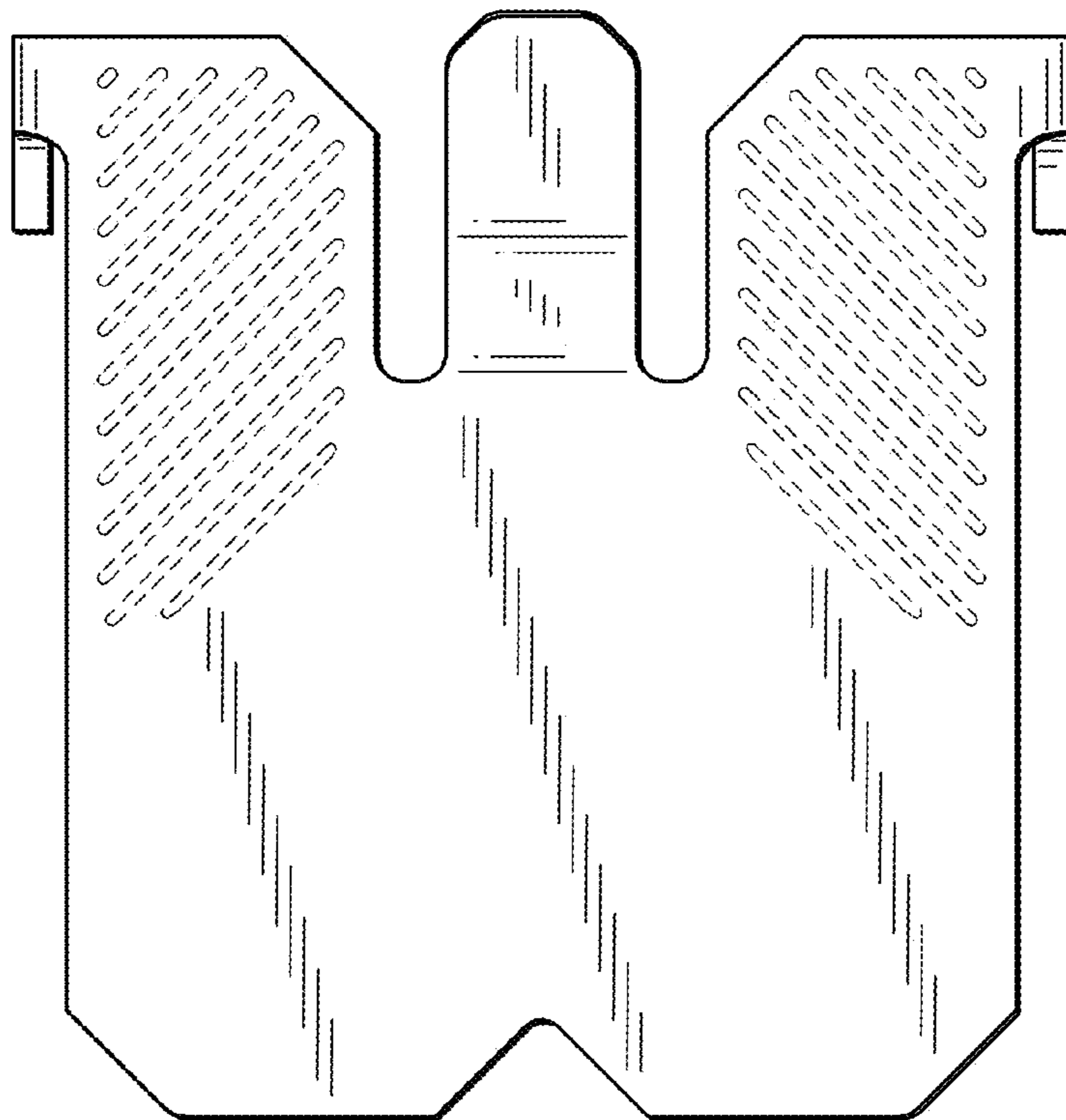
OTHER PUBLICATIONS

Amazon, fischer 551926 No Tools Just Hands—Picture Claw Hook,  
posted date Aug. 12, 2019, [online], [site visited Jul. 8, 2021],  
Available from internet URL: [https://www.amazon.co.uk/dp/  
B07W9LPW9G/ref=cm\\_sw\\_em\\_r\\_mt\\_dp\\_  
7WEZ08AXDPT1306P6JAS?\\_encoding=UTF8&psc=1](https://www.amazon.co.uk/dp/B07W9LPW9G/ref=cm_sw_em_r_mt_dp_7WEZ08AXDPT1306P6JAS?_encoding=UTF8&psc=1) (Year: 2019).\*

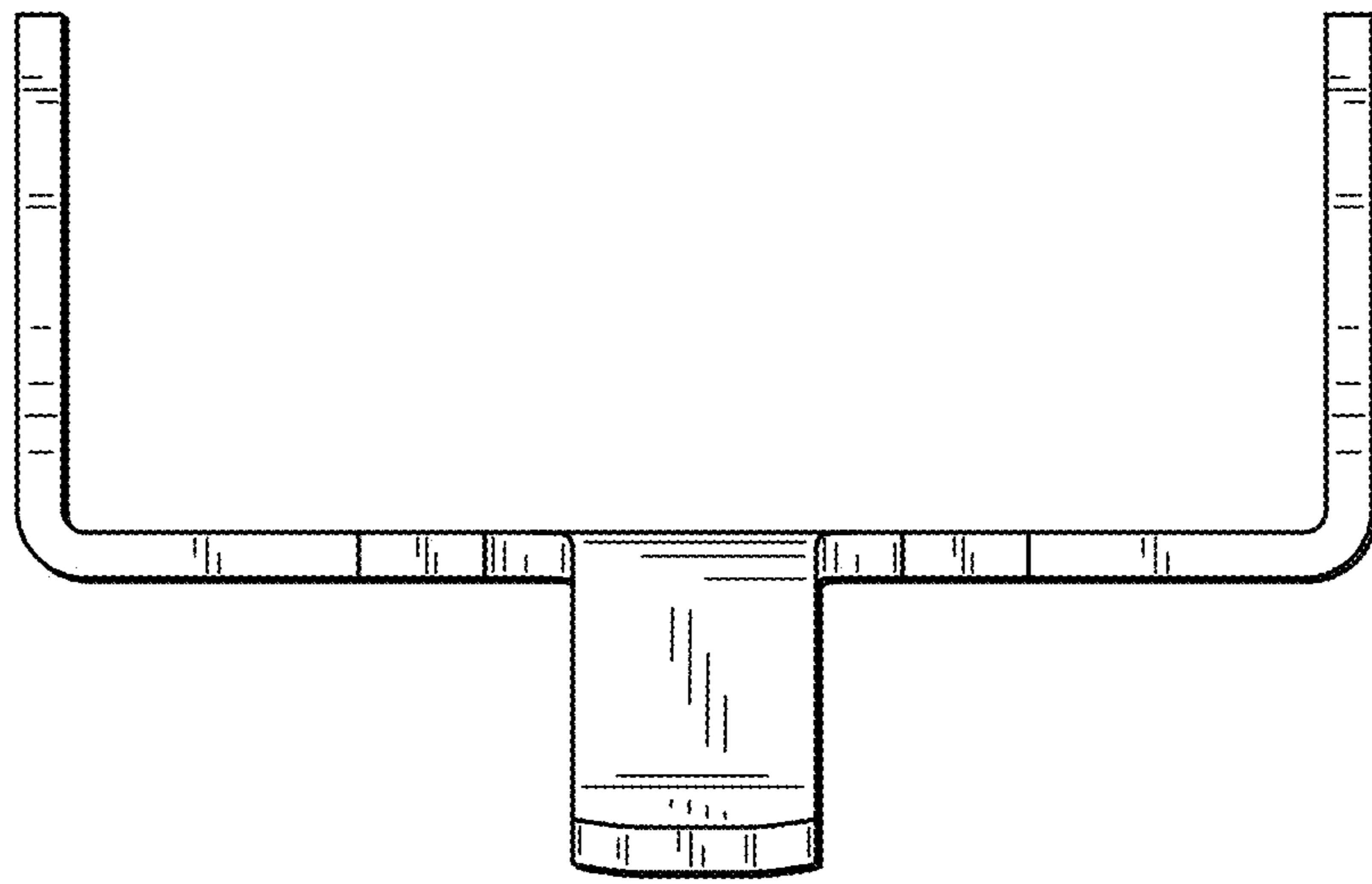
\* cited by examiner



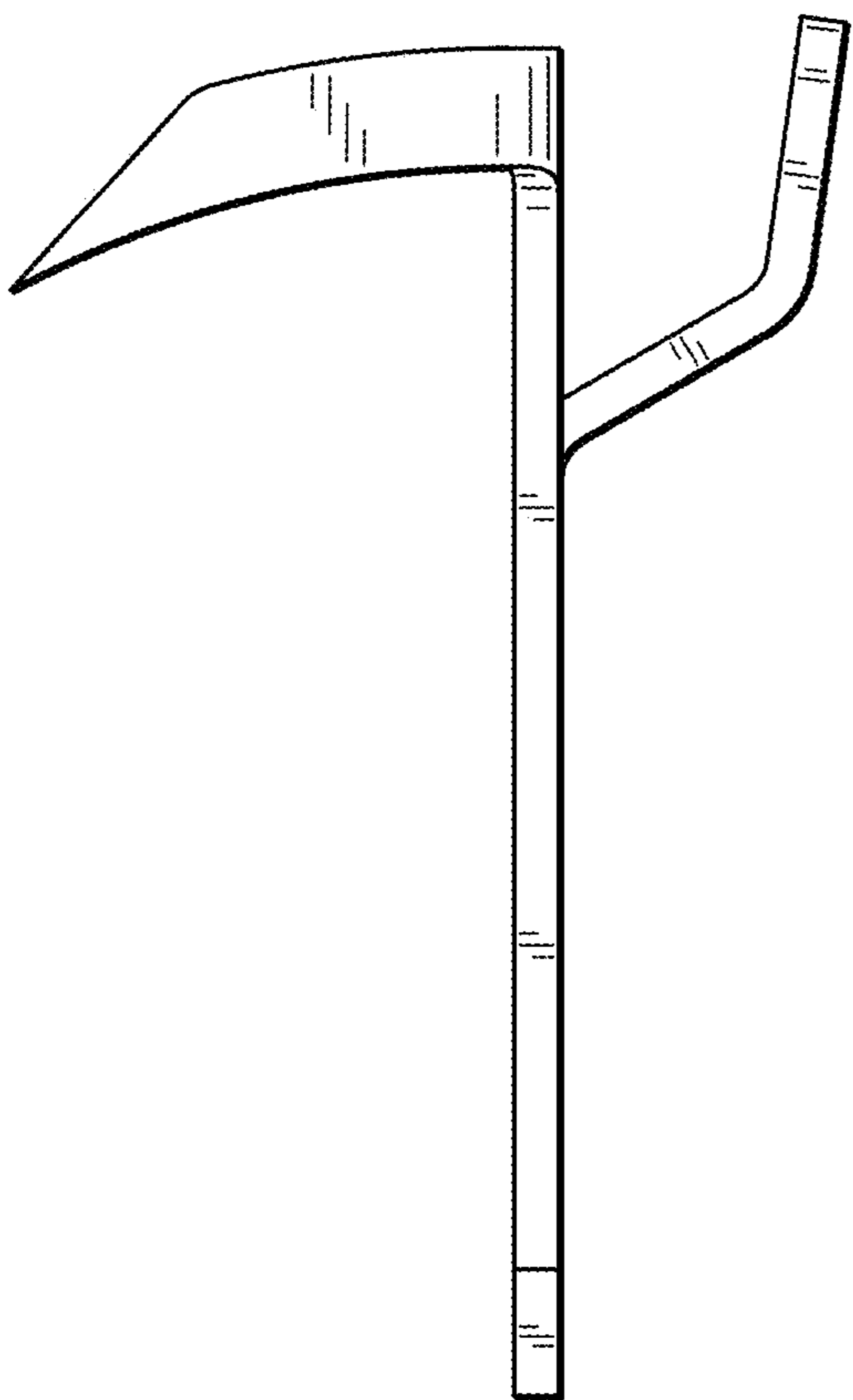
*FIG. 1*



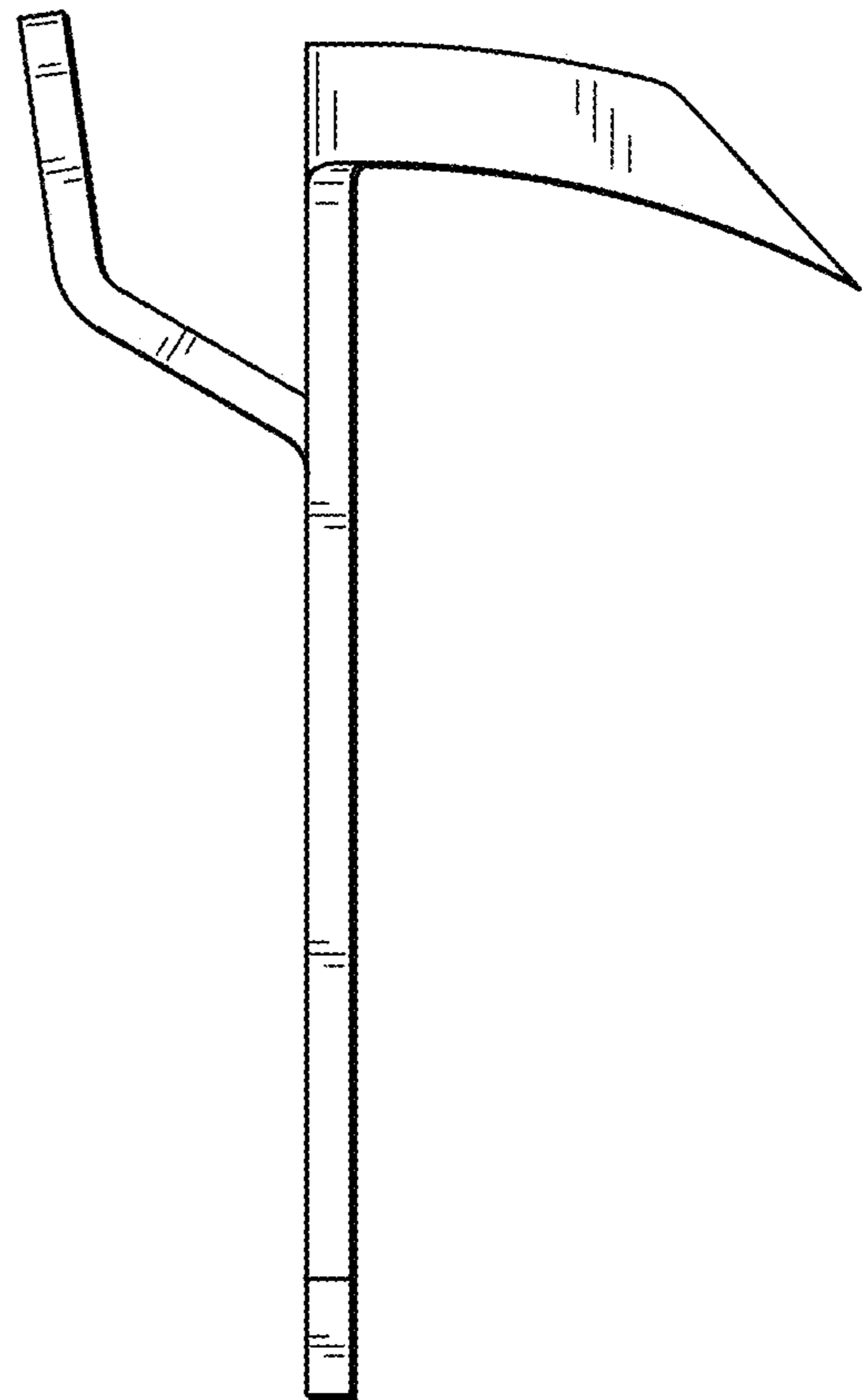
*FIG. 2*



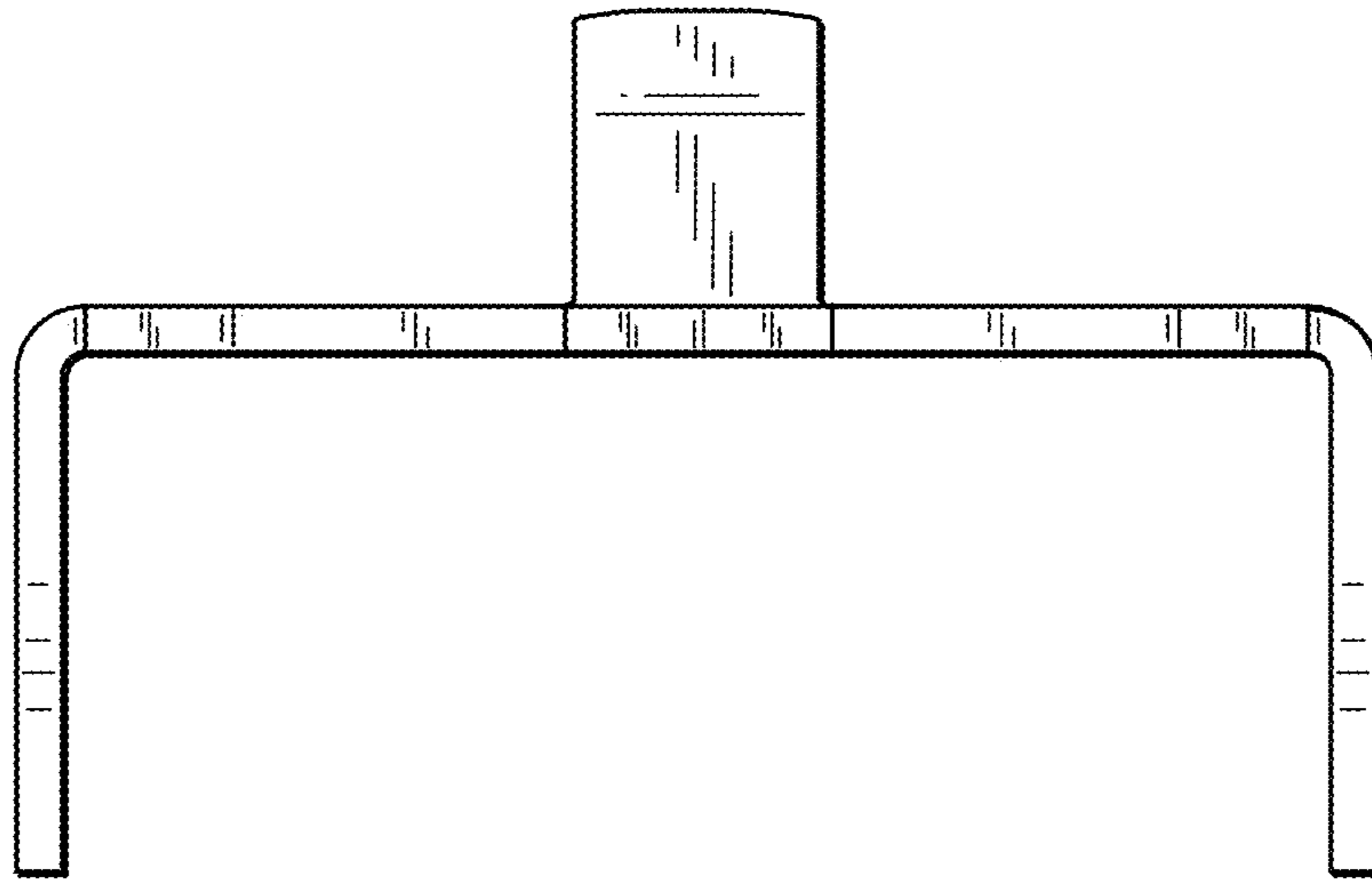
*FIG. 3*



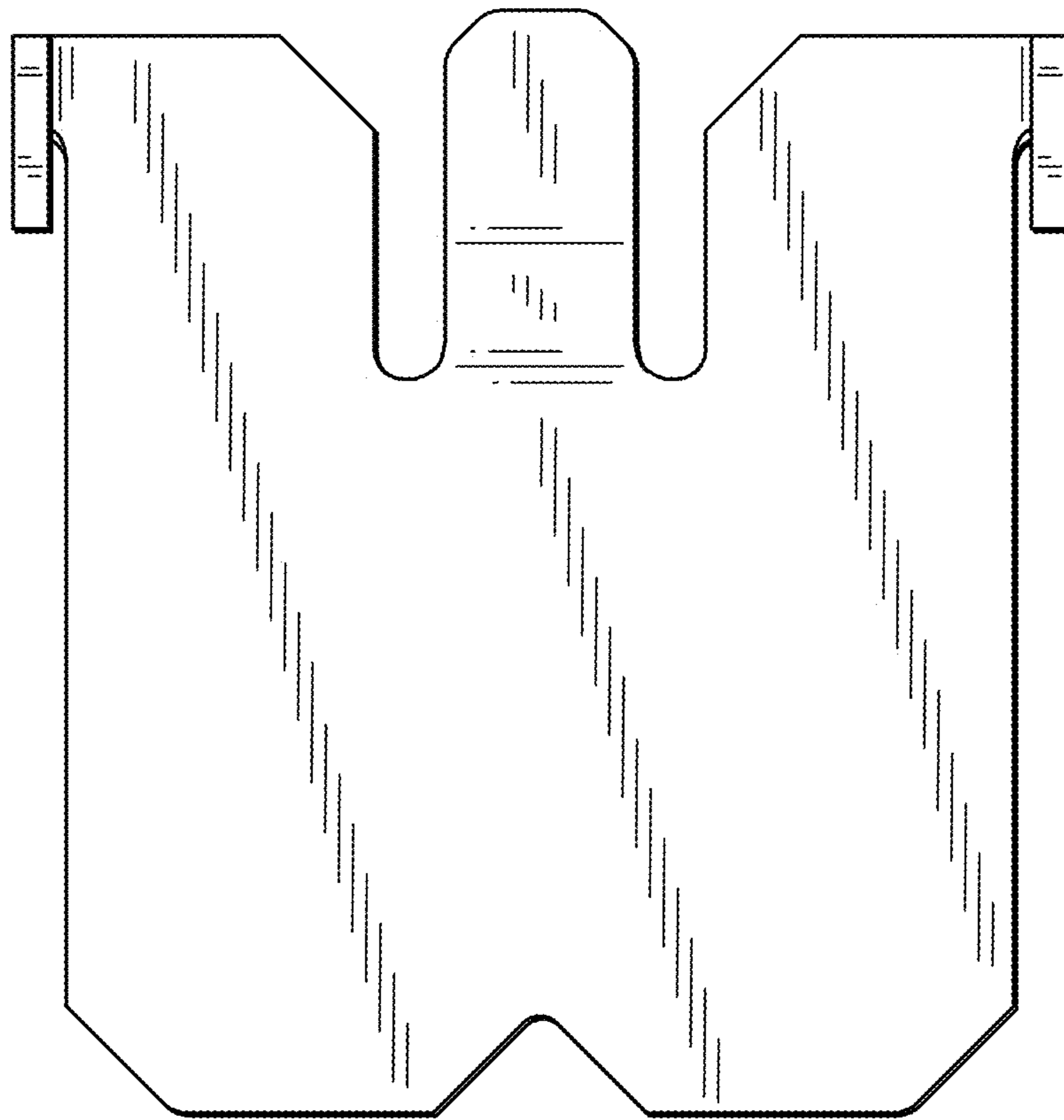
*FIG. 4*



*FIG. 5*



*FIG. 6*



*FIG. 7*