



US00D942843S

(12) **United States Design Patent** (10) **Patent No.:** **US D942,843 S**
Yan (45) **Date of Patent:** **** Feb. 8, 2022**

(54) **ROTATABLE HANGER** 6,802,483 B1 * 10/2004 Leasure F41B 5/14
182/187
(71) Applicant: **SND BRANDING CO., LTD,** 7,175,143 B1 * 2/2007 Ho A47G 29/083
Guangdong (CN) 248/215
8,596,601 B1 * 12/2013 Andersen A47G 1/1633
248/447.2
(72) Inventor: **Hang Yan,** Guangdong (CN) D699,548 S * 2/2014 Veilleux D8/367
D720,985 S * 1/2015 Veilleux D8/367
(73) Assignee: **SND BRANDING CO., LTD,** 9,107,526 B2 * 8/2015 Rife A47G 29/083
Guangdong (CN) 2005/0056746 A1 * 3/2005 Landver A47G 29/083
248/227.1
(**) Term: **15 Years** 2010/0025555 A1 * 2/2010 Shigio A47G 29/083
248/284.1
(21) Appl. No.: **29/745,255** 2010/0237213 A1 * 9/2010 Wang B62H 3/12
248/324

(22) Filed: **Aug. 5, 2020**

(30) **Foreign Application Priority Data**

May 29, 2020 (CN) 202030260501.X

(51) **LOC (13) Cl.** **08-06**

(52) **U.S. Cl.**
USPC **D8/367; D8/372**

(58) **Field of Classification Search**
USPC D6/323, 512, 513; D8/349, 355, 367,
D8/372, 380, 387, 394, 395
CPC Y10T 24/3452; Y10T 24/2708; Y10T
24/3479; Y10T 24/3485; Y10T 24/3493;
A47G 1/164; A47G 29/083; A47G 29/08;
A47G 25/08; A47G 25/1457; A47G
25/44; A47G 29/087
See application file for complete search history.

(56) **References Cited**

U.S. PATENT DOCUMENTS

3,317,171 A * 5/1967 Kramer A47C 7/62
248/229.15
4,728,069 A * 3/1988 Semcer A47G 29/083
248/227.2
5,738,319 A * 4/1998 Grassi A47G 7/044
248/215

* cited by examiner

Primary Examiner — Lauren R Calve

(74) *Attorney, Agent, or Firm* — JCIP Global Inc.

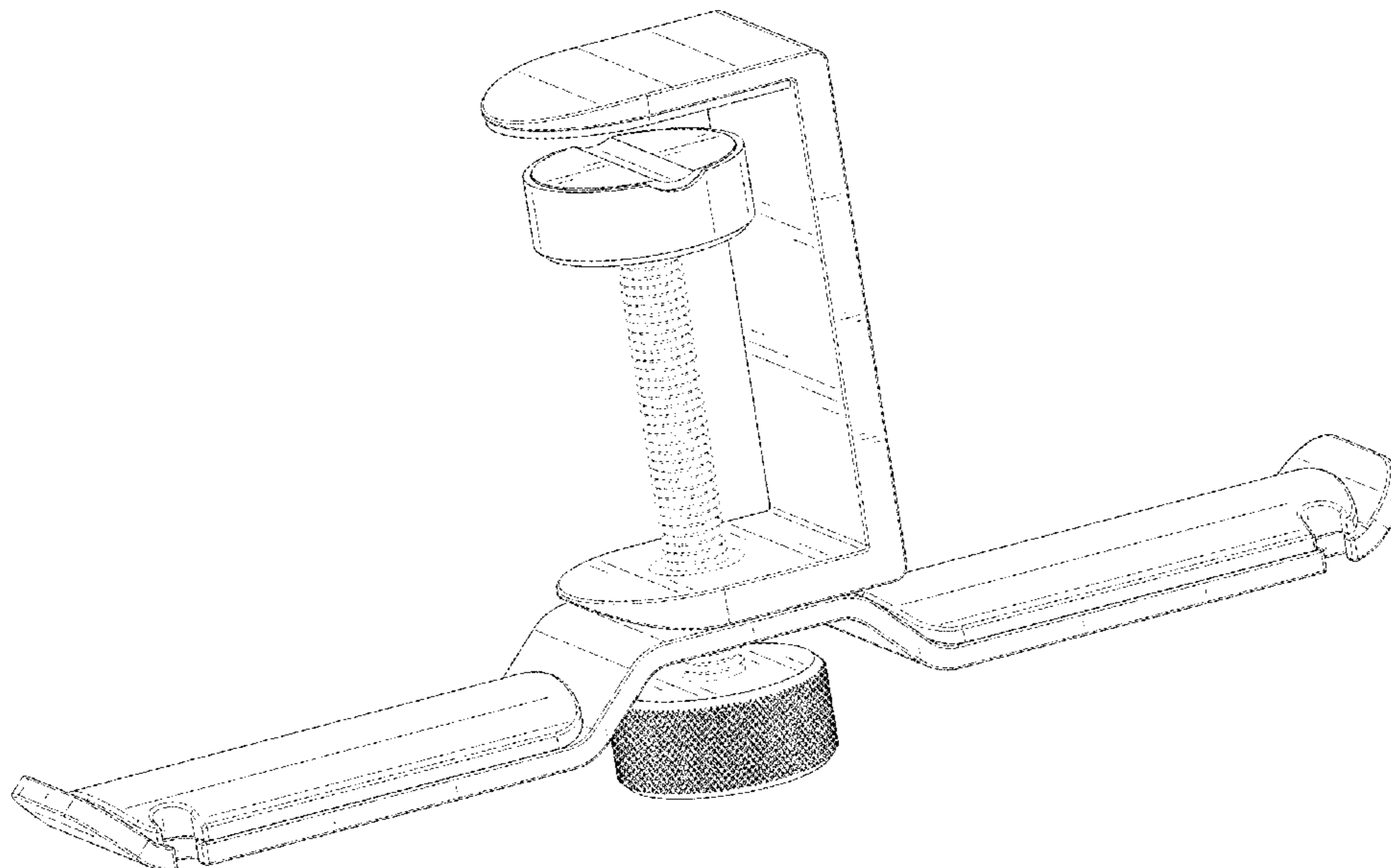
(57) **CLAIM**

The ornamental design for a rotatable hanger, as shown and described.

DESCRIPTION

FIG. 1 is a front top perspective view of a rotatable hanger showing my new design;
FIG. 2 is a rear top perspective view thereof;
FIG. 3 is a front bottom perspective view thereof;
FIG. 4 is a rear bottom perspective view thereof;
FIG. 5 is a front view thereof;
FIG. 6 is a rear view thereof;
FIG. 7 is a right side view thereof;
FIG. 8 is a left side view thereof;
FIG. 9 is a top view thereof; and,
FIG. 10 is a bottom view thereof.
The broken line showing of portions of the rotatable hanger in FIG. 1-8 forms no part of the claimed design.

1 Claim, 8 Drawing Sheets



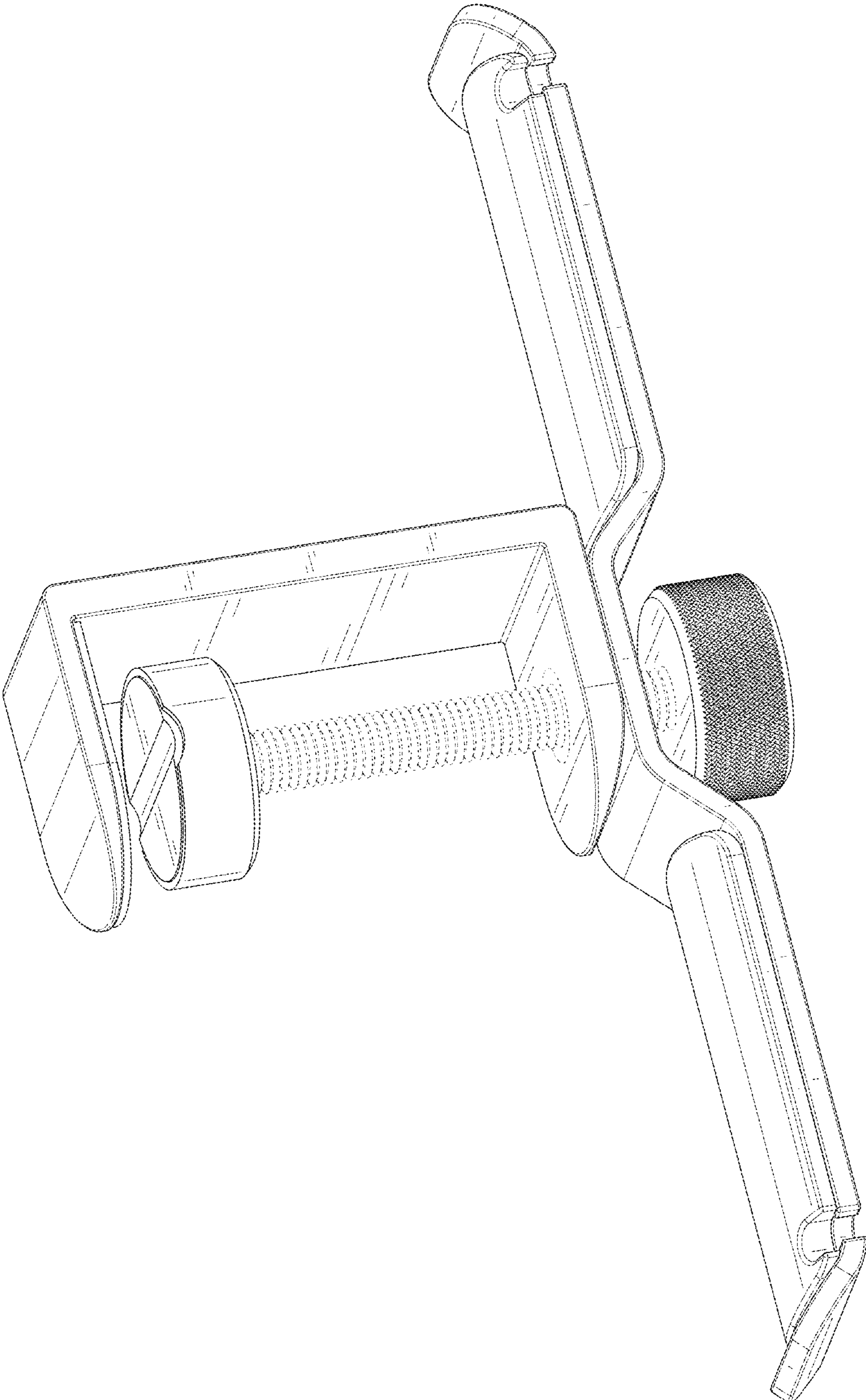


FIG. 1

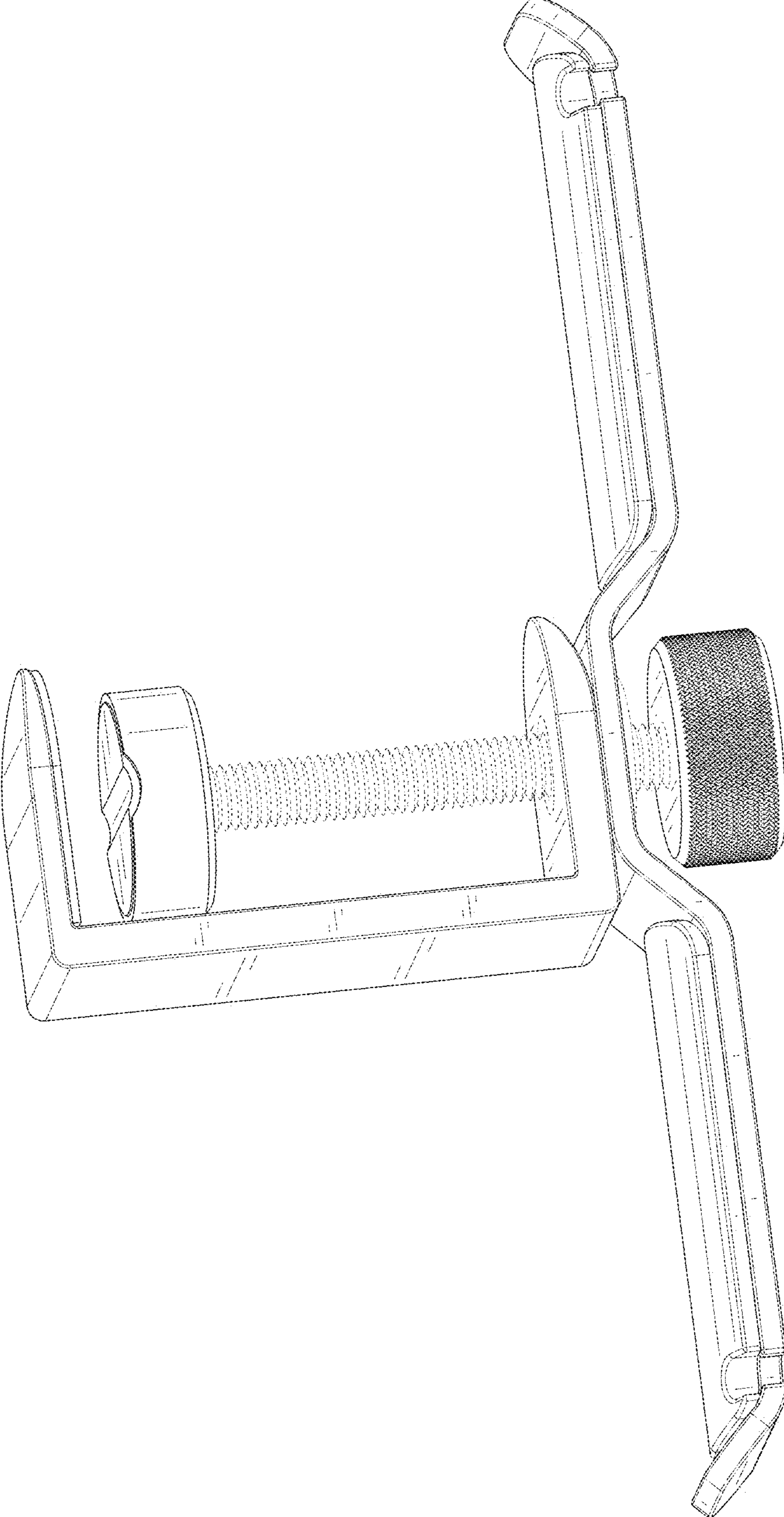


FIG. 2

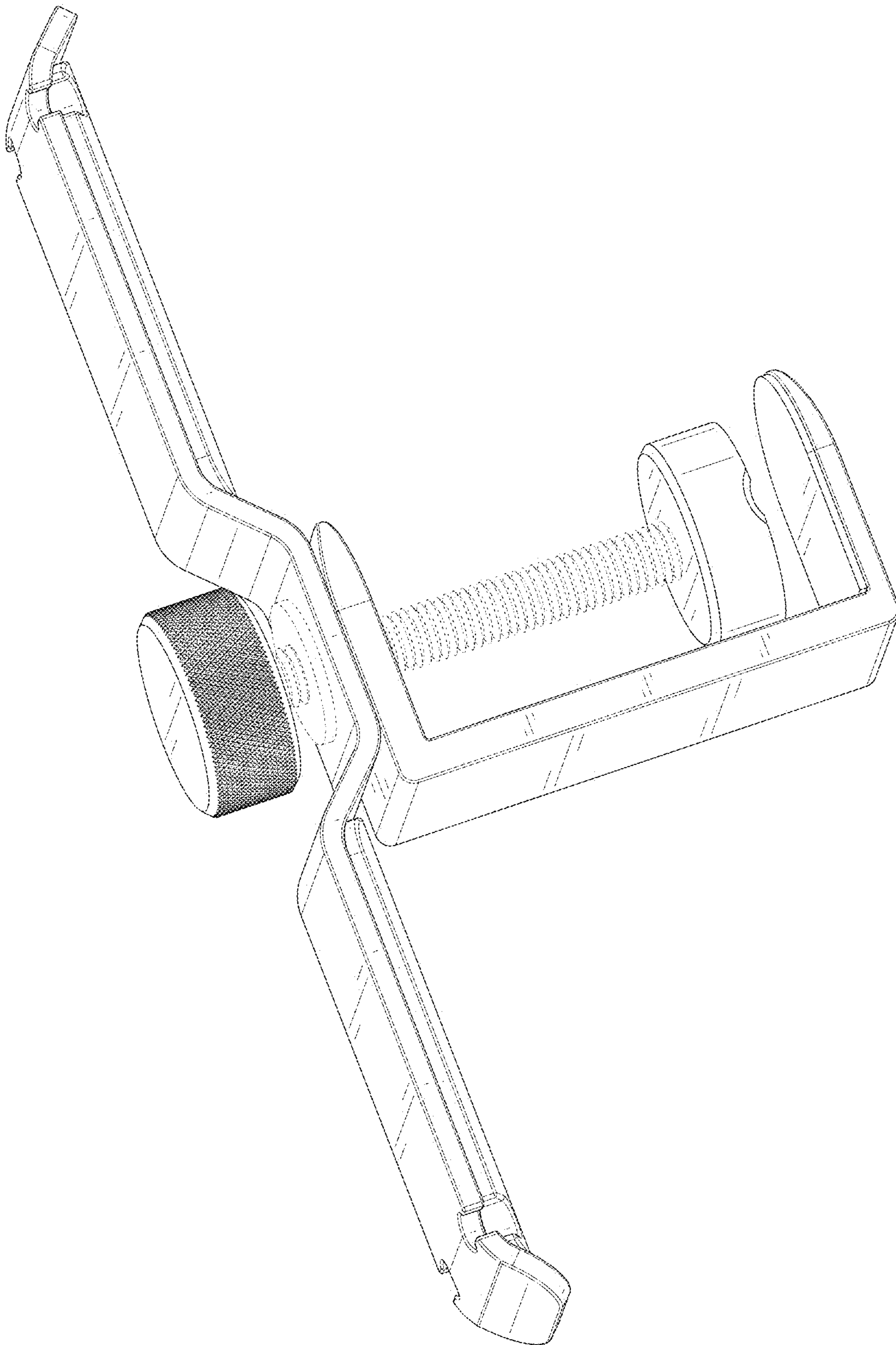


FIG. 3

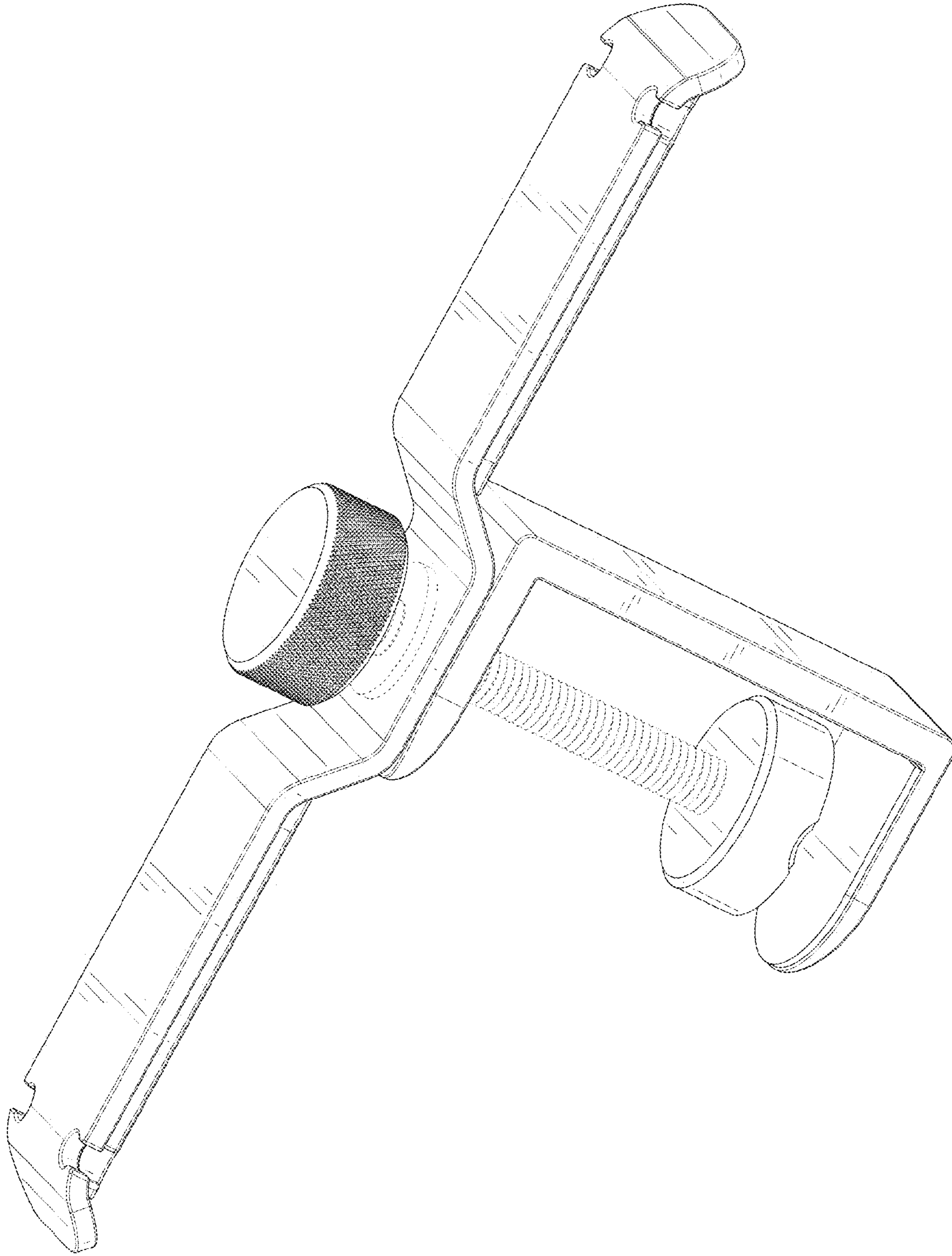


FIG. 4

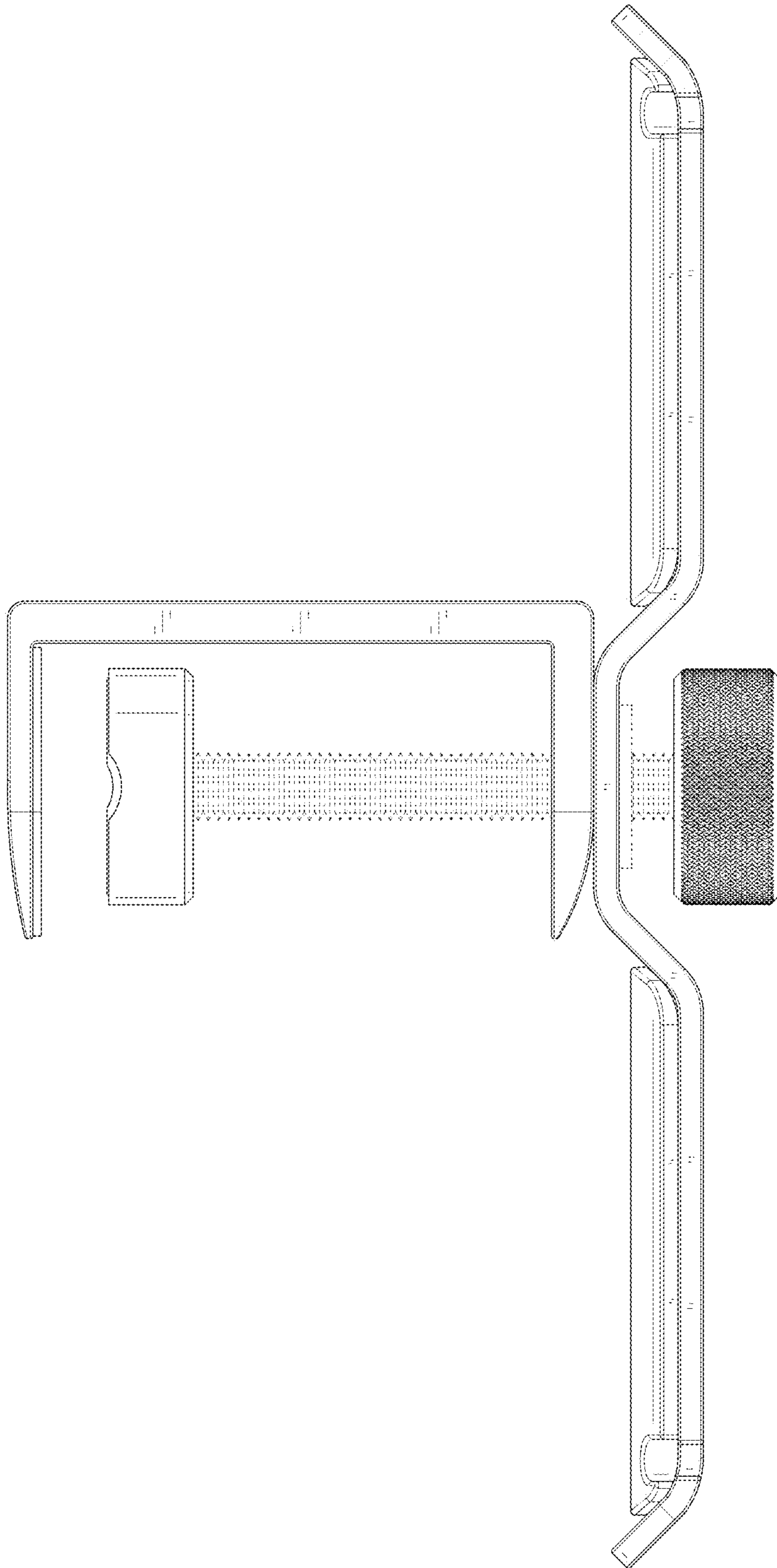


FIG. 5

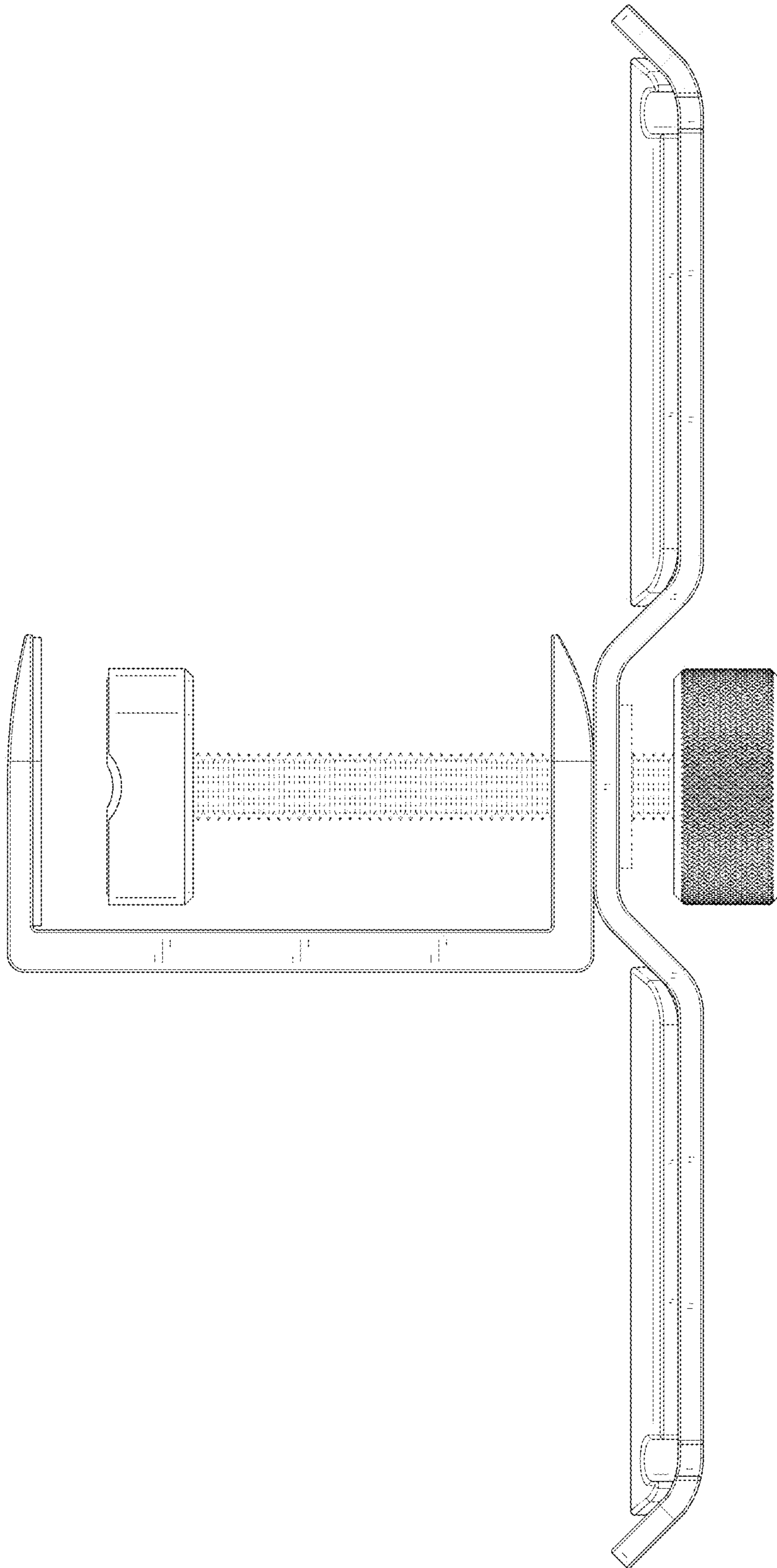


FIG. 6

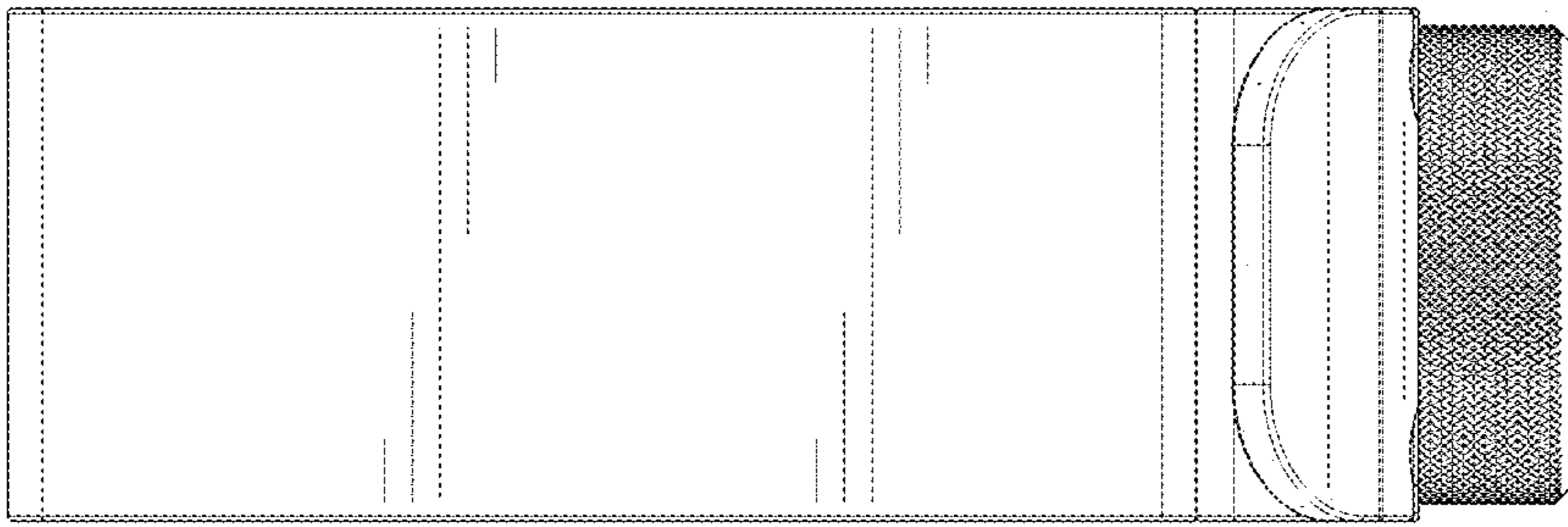


FIG. 8

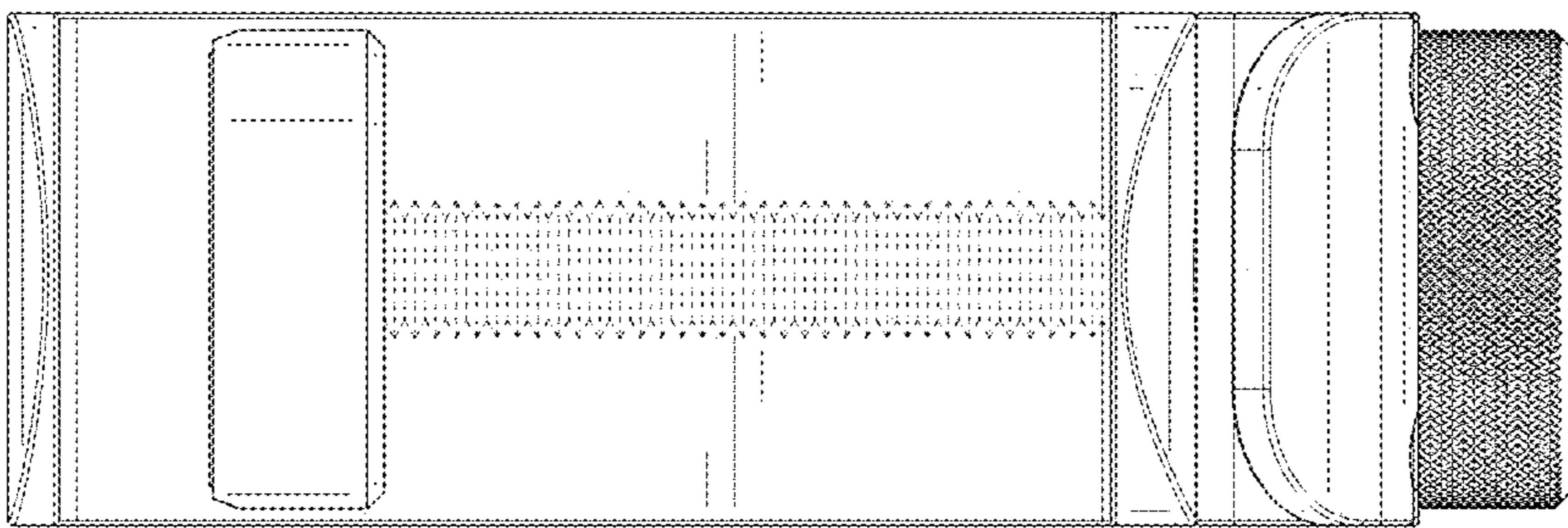


FIG. 7

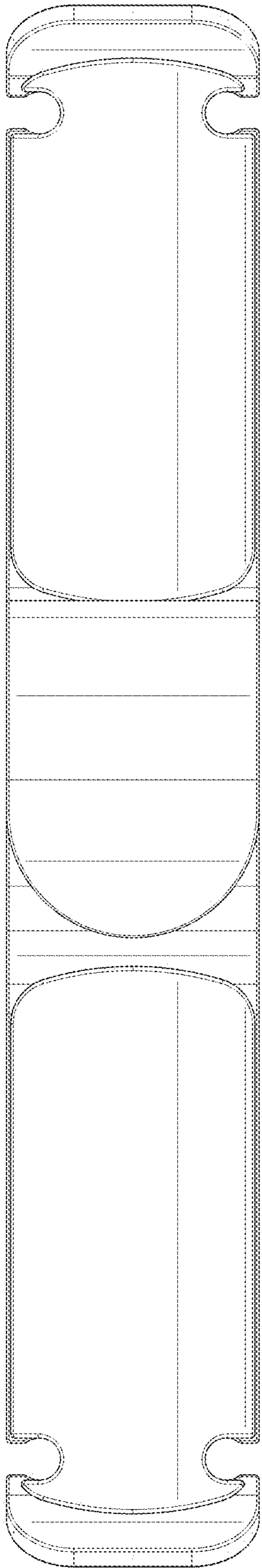


FIG. 9

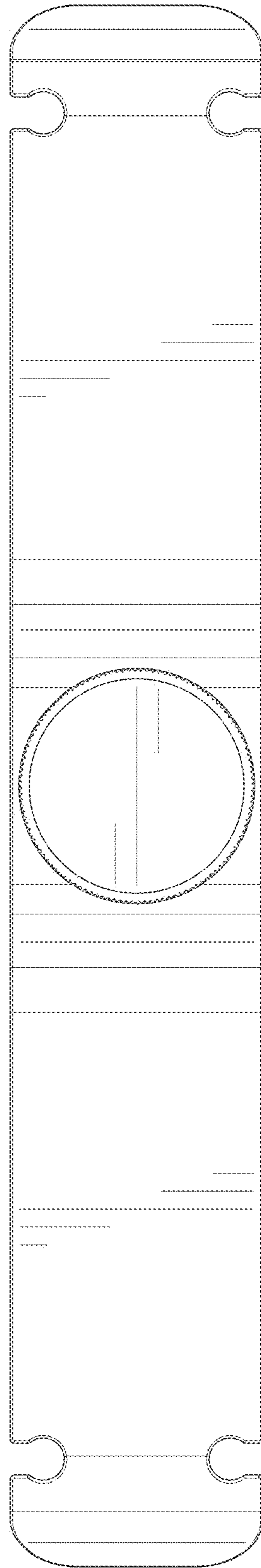


FIG. 10