



US00D942842S

(12) **United States Design Patent**
Yan

(10) **Patent No.:** **US D942,842 S**
(45) **Date of Patent:** **** Feb. 8, 2022**

- (54) **FOLDABLE HANGER**
- (71) Applicant: **SND BRANDING CO., LTD,**
Guangdong (CN)
- (72) Inventor: **Hang Yan,** Guangdong (CN)
- (73) Assignee: **SND BRANDING CO., LTD,**
Guangdong (CN)
- (**) Term: **15 Years**
- (21) Appl. No.: **29/745,101**
- (22) Filed: **Aug. 4, 2020**
- (30) **Foreign Application Priority Data**
May 29, 2020 (CN) 202030260177.1
- (51) **LOC (13) Cl.** **08-06**
- (52) **U.S. Cl.**
USPC **D8/367**
- (58) **Field of Classification Search**
USPC D6/323, 512, 513; D8/349, 355, 367,
D8/372, 380, 387, 394, 395
CPC Y10T 24/3452; Y10T 24/2708; Y10T
24/3479; Y10T 24/3485; Y10T 24/3493;
A47G 1/164; A47G 29/083; A47G 29/08;
A47G 25/08; A47G 25/1457; A47G
25/44; A47G 29/087
See application file for complete search history.

- (56) **References Cited**
U.S. PATENT DOCUMENTS
3,317,171 A * 5/1967 Kramer A47C 7/62
248/229.15
4,728,069 A * 3/1988 Semcer A47G 29/083
248/227.2
5,738,319 A * 4/1998 Grassi A47G 7/044
248/215

- 6,802,483 B1 * 10/2004 Leasure F41B 5/14
182/187
- 7,175,143 B1 * 2/2007 Ho A47G 29/083
248/215
- 8,596,601 B1 * 12/2013 Andersen A47G 1/1633
248/447.2
- D699,548 S * 2/2014 Veilleux D8/367
- D720,985 S * 1/2015 Veilleux D8/367
- 9,107,526 B2 * 8/2015 Rife A47G 29/083
- 2005/0056746 A1 * 3/2005 Landver A47G 29/083
248/227.1
- 2010/0025555 A1 * 2/2010 Shigio A47G 29/083
248/284.1
- 2010/0237213 A1 * 9/2010 Wang B62H 3/12
248/324

* cited by examiner

Primary Examiner — Lauren R Calve
(74) *Attorney, Agent, or Firm* — JCIP Global Inc.

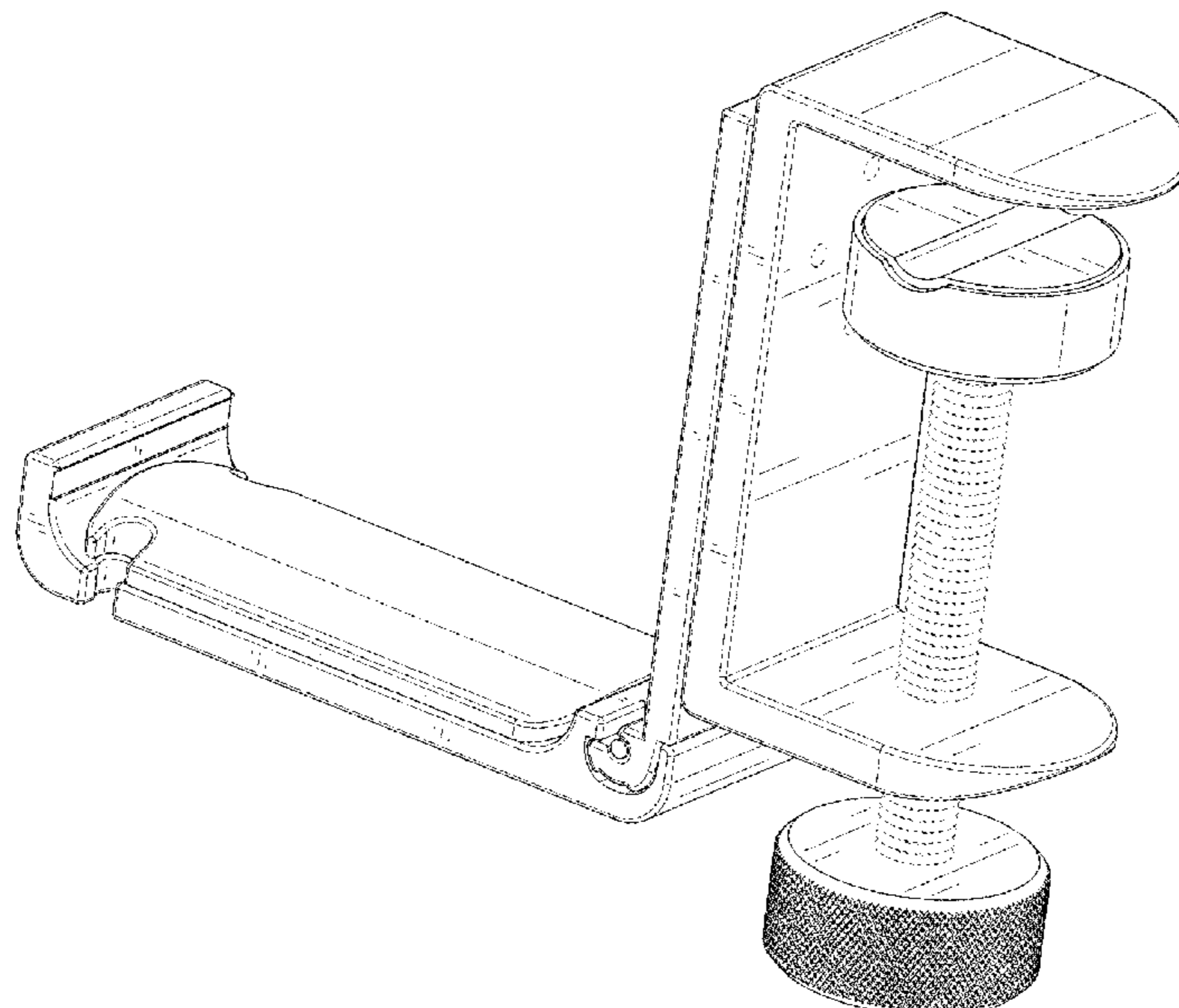
(57) **CLAIM**

The ornamental design for a foldable hanger, as shown and described.

DESCRIPTION

FIG. 1 is a front top perspective view of a foldable hanger showing my new design;
 FIG. 2 is a rear top perspective view thereof;
 FIG. 3 is a front bottom perspective view thereof;
 FIG. 4 is a rear bottom perspective view thereof;
 FIG. 5 is a front view thereof;
 FIG. 6 is a rear view thereof;
 FIG. 7 is a right side view thereof;
 FIG. 8 is a left side view thereof;
 FIG. 9 is a top view thereof; and,
 FIG. 10 is a bottom view thereof.
 The broken line showing of portions of the foldable hanger in FIG. 1-8 forms no part of the claimed design.

1 Claim, 7 Drawing Sheets



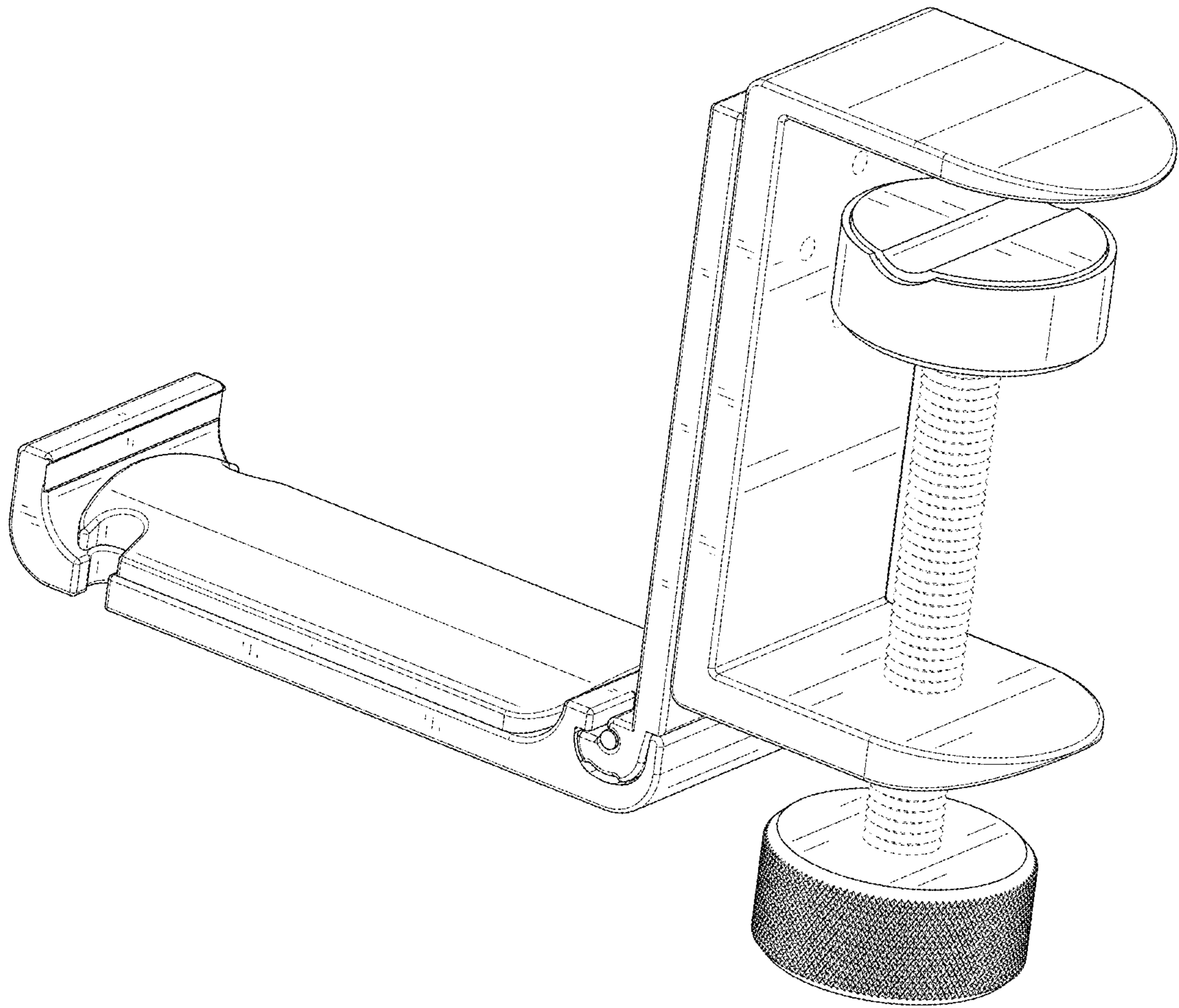


FIG. 1

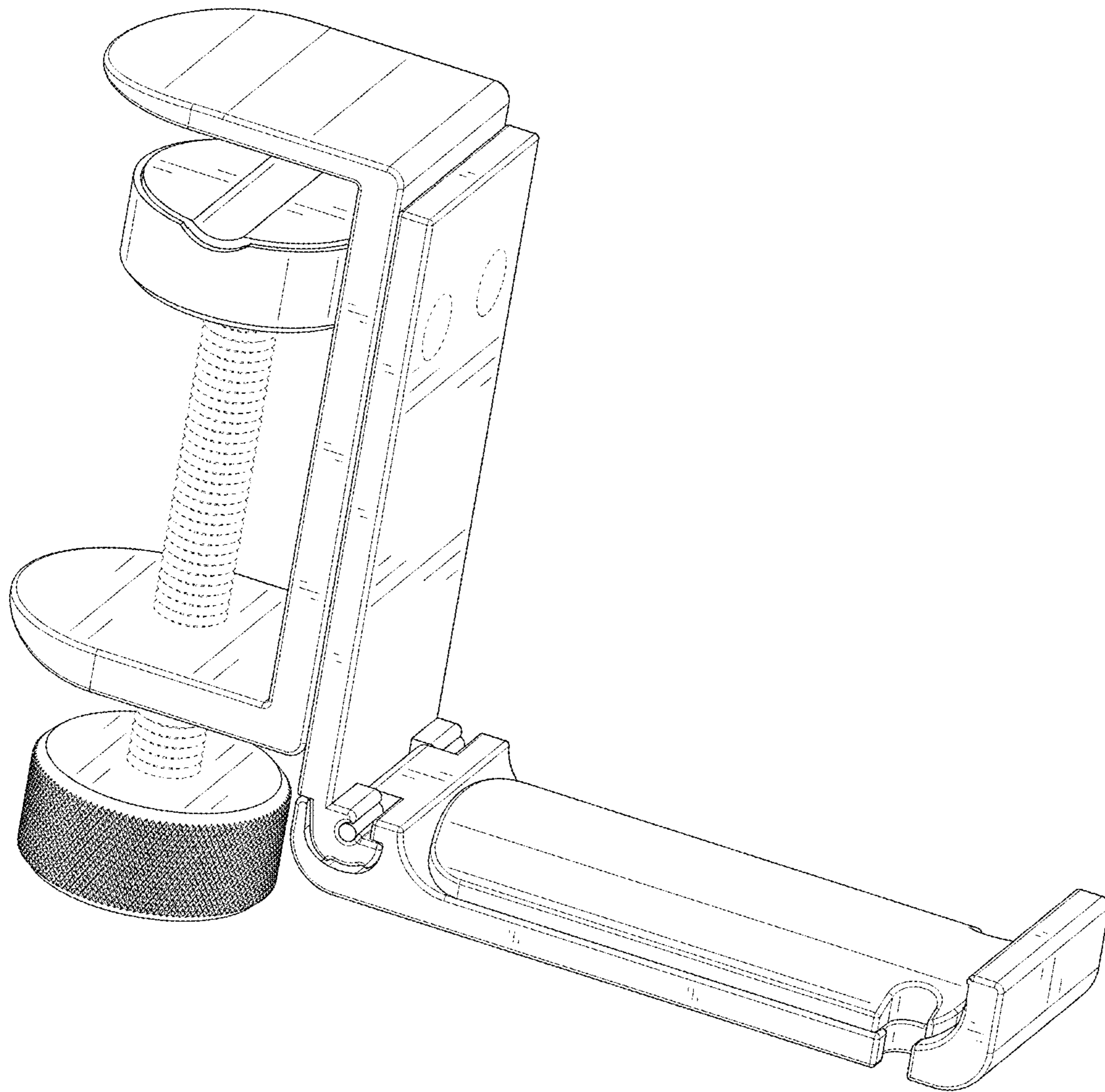


FIG. 2

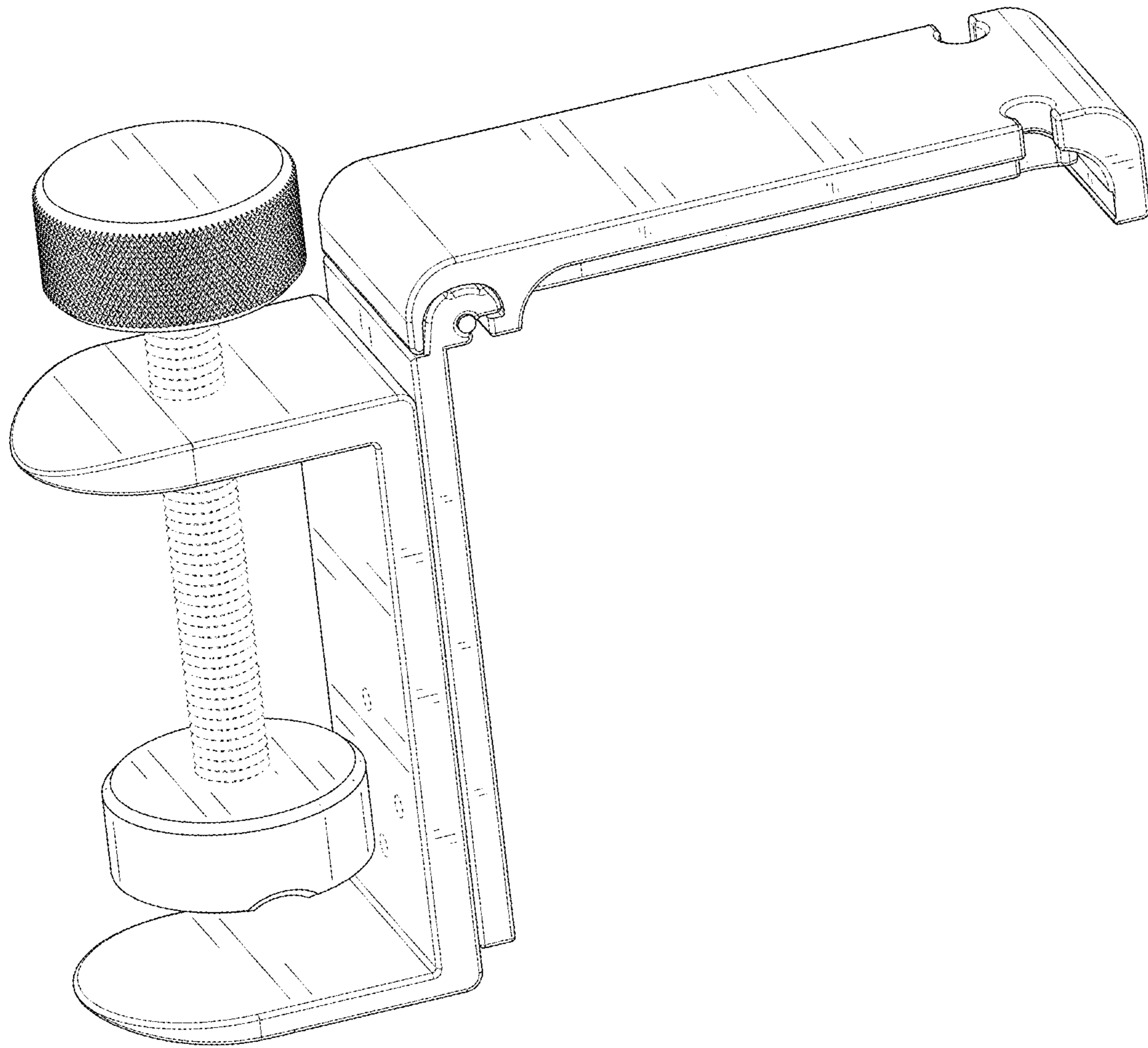


FIG. 3

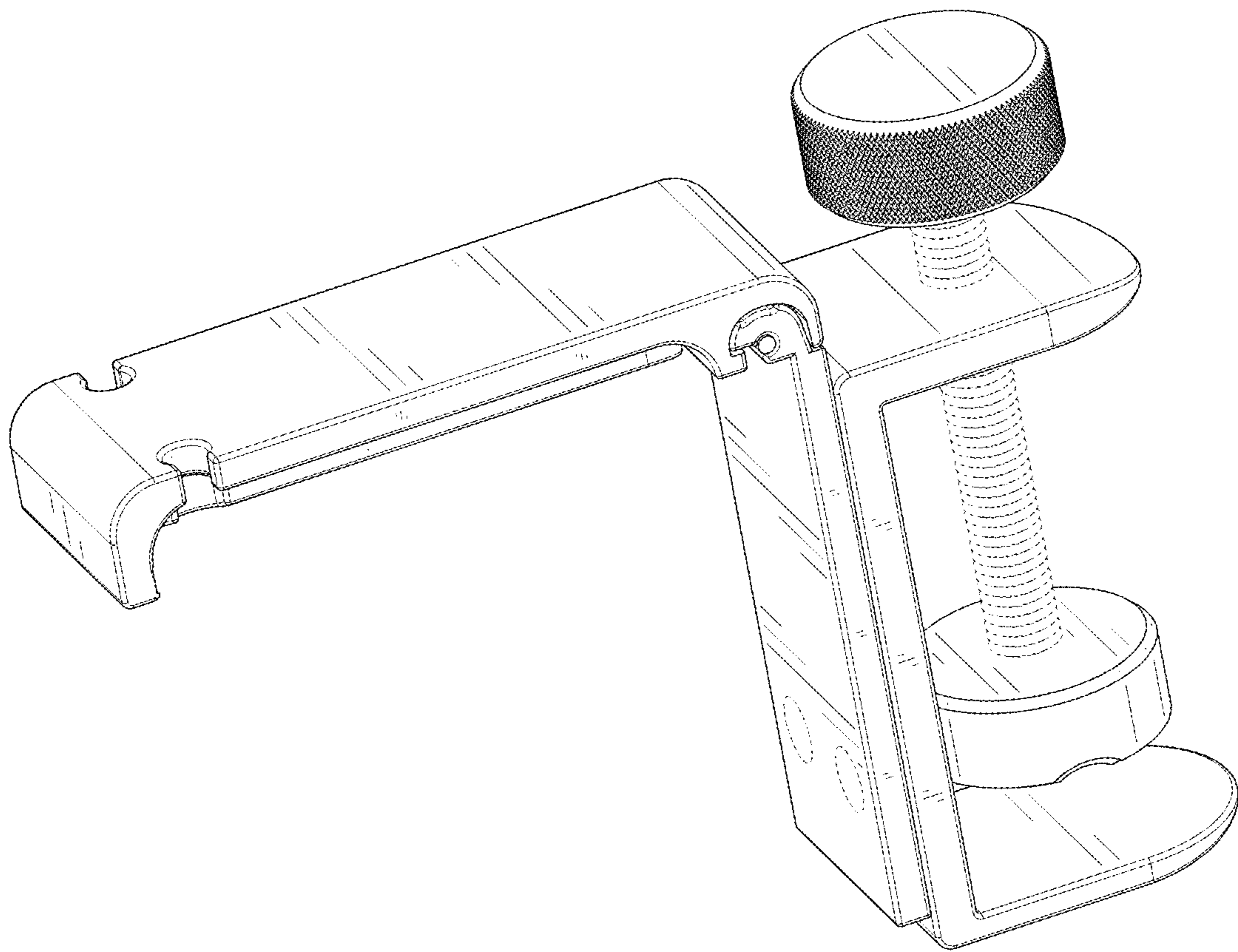


FIG. 4

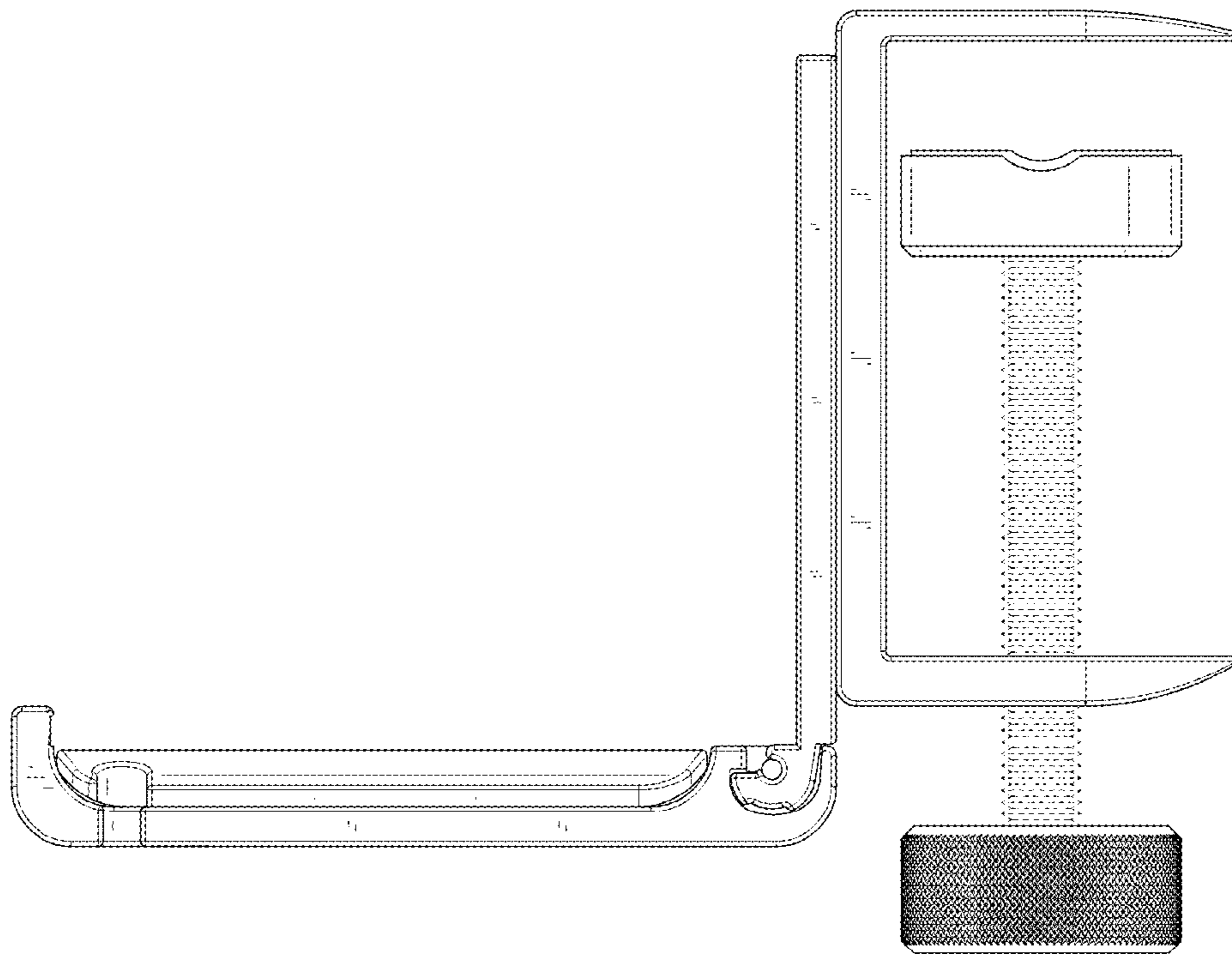


FIG. 5

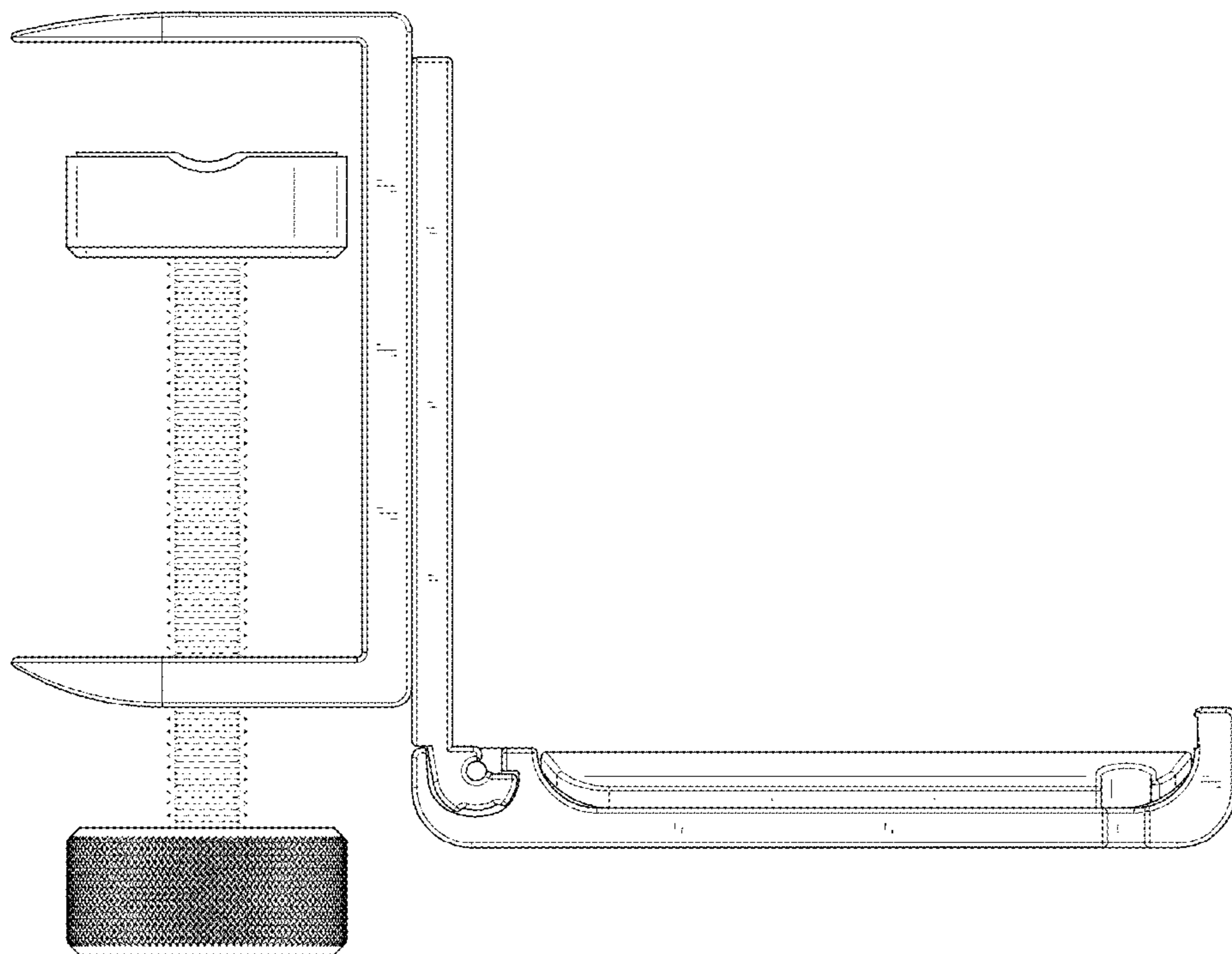


FIG. 6

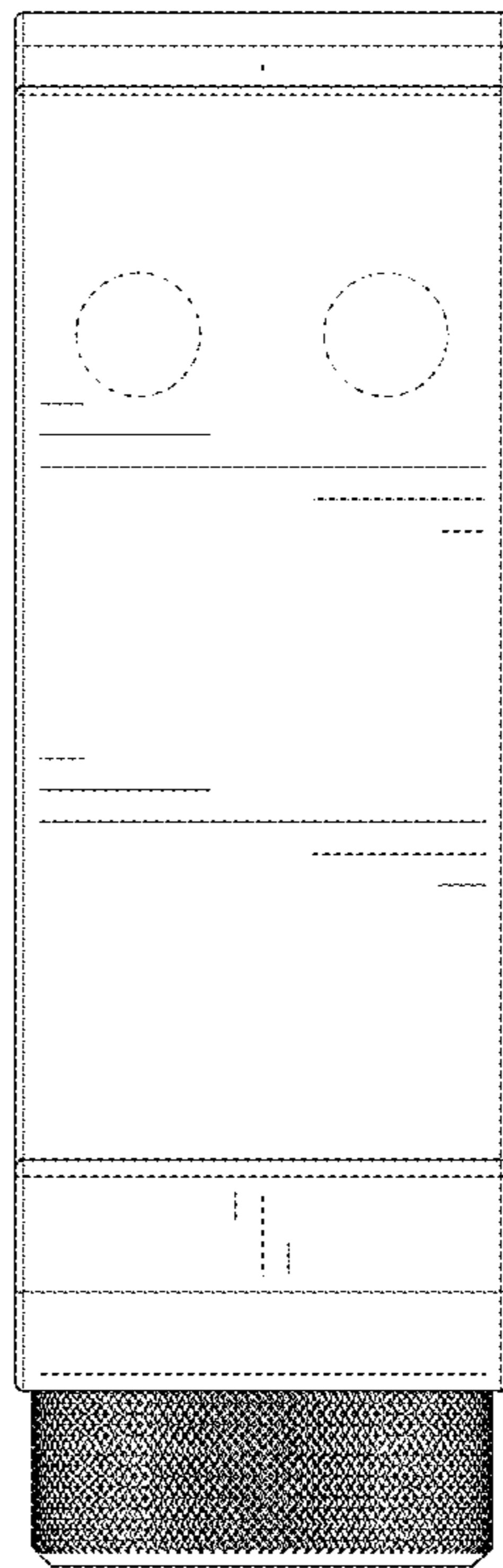


FIG. 7

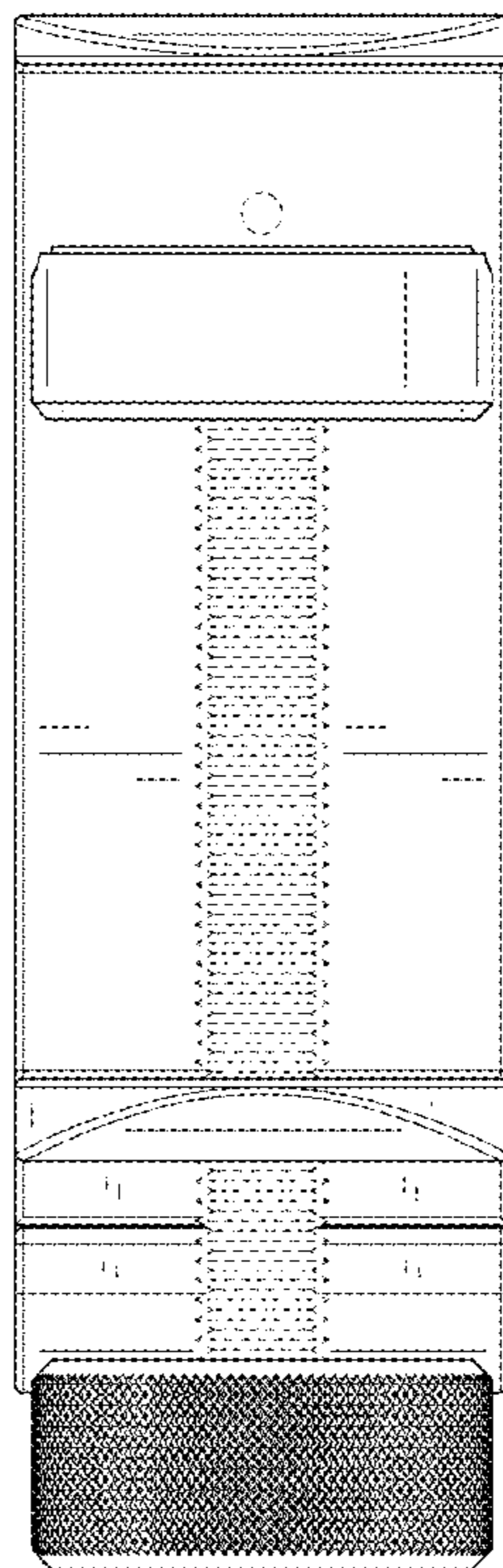


FIG. 8

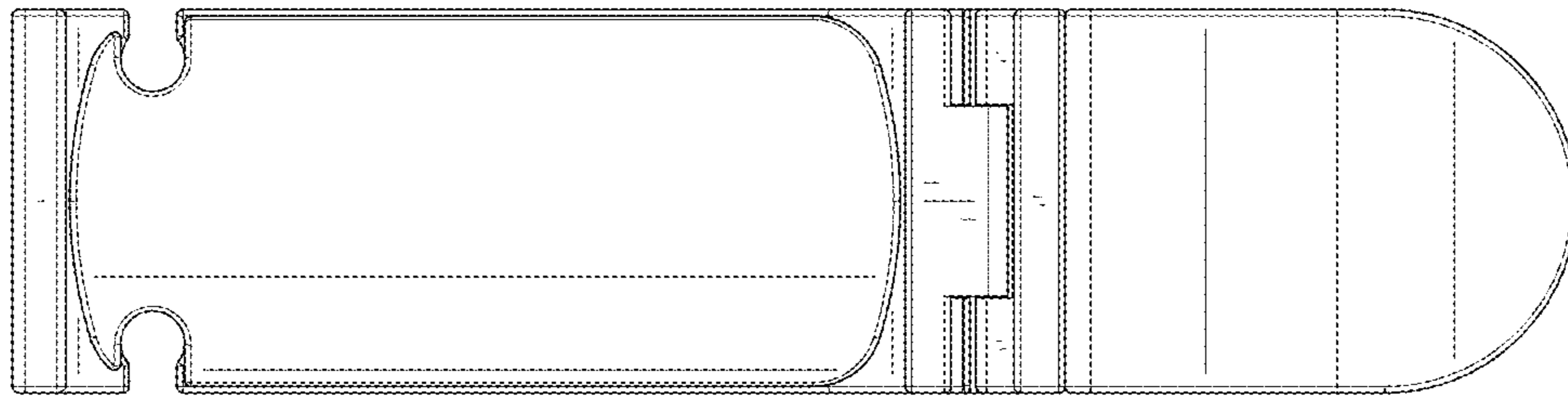


FIG. 9

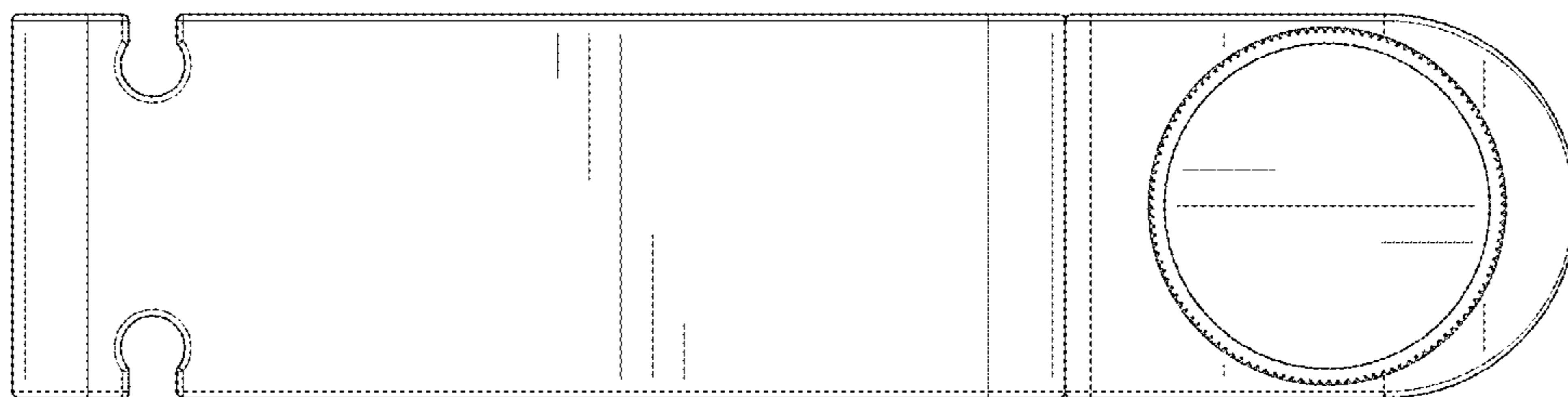


FIG. 10