



US00D942840S

(12) **United States Design Patent** (10) **Patent No.:** **US D942,840 S**  
**Adelman** (45) **Date of Patent:** **\*\* Feb. 8, 2022**

(54) **DOUBLE CARABINER**  
(71) Applicant: **Nite Ize, Inc.**, Boulder, CO (US)  
(72) Inventor: **Gregory M. Adelman**, Boulder, CO (US)  
(73) Assignee: **Nite Ize, Inc.**, Boulder, CO (US)  
(\*\*) Term: **15 Years**  
(21) Appl. No.: **29/785,918**  
(22) Filed: **May 27, 2021**

D729,513 S \* 5/2015 Jiang ..... D3/207  
9,255,602 B2 \* 2/2016 Liang ..... F16B 45/06  
D762,460 S \* 8/2016 Gobbi ..... D8/356  
D765,493 S \* 9/2016 Spater ..... D8/356  
D766,071 S \* 9/2016 Spater ..... D8/356  
D767,975 S \* 10/2016 Jiang ..... D8/356  
9,521,939 B2 \* 12/2016 Haarbuerger ..... A47L 13/16  
D775,513 S \* 1/2017 Kelleghan ..... D8/356  
D784,798 S \* 4/2017 Logsdon ..... D8/394  
D785,316 S \* 5/2017 Grossman ..... D3/208  
D785,317 S \* 5/2017 Grossman ..... D3/208  
9,797,432 B2 \* 10/2017 Inkavesvaanit ..... F16B 45/02  
D811,838 S \* 3/2018 Enrico ..... D8/34  
D821,090 S \* 6/2018 Case ..... D3/207  
D821,854 S \* 7/2018 Berman ..... D8/356  
D854,916 S \* 7/2019 Derr ..... D8/356  
D858,088 S \* 9/2019 Osmanski ..... D3/207  
D861,327 S \* 10/2019 Osmanski ..... D3/207

(Continued)

**Related U.S. Application Data**

(63) Continuation-in-part of application No. 17/097,335, filed on Nov. 13, 2020.  
(51) **LOC (13) Cl.** ..... **09-06**  
(52) **U.S. Cl.**  
USPC ..... **D8/356; D8/367**  
(58) **Field of Classification Search**  
USPC ..... D8/356, 354, 105, 349, 367; D3/207;  
24/376  
CPC ..... B65H 57/16; B63B 21/045; A63B 27/02  
See application file for complete search history.

*Primary Examiner* — Cynthia R Underwood  
(74) *Attorney, Agent, or Firm* — Haynes and Boone, LLP

(57) **CLAIM**

The ornamental design for the double carabiner, as shown and described.

**DESCRIPTION**

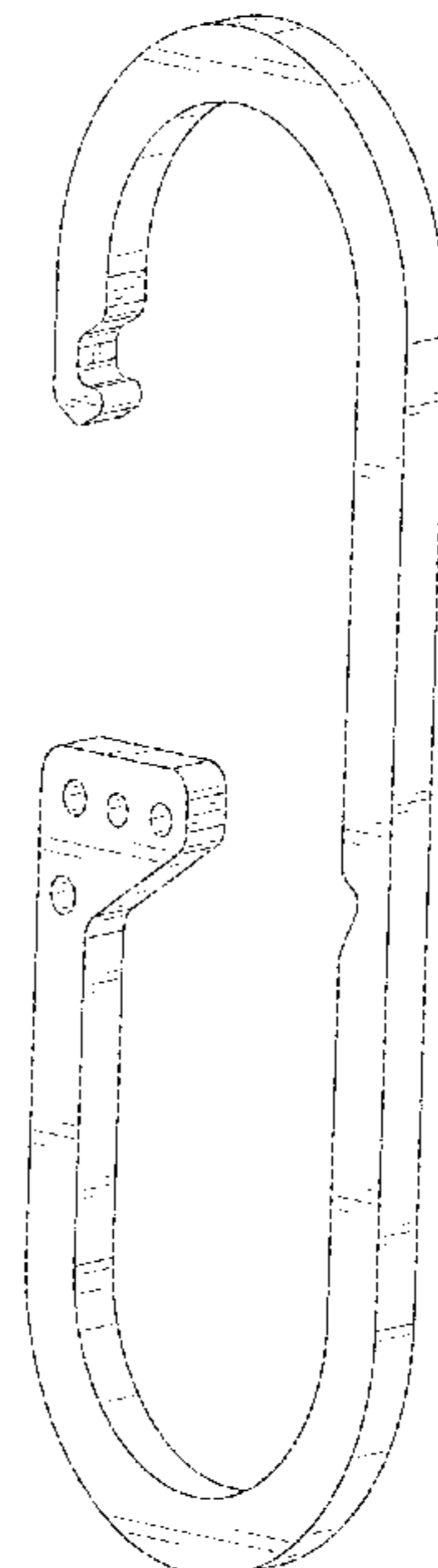
FIG. 1 shows a front perspective view of a double carabiner; FIG. 2 shows a front view of the double carabiner of FIG. 1;  
FIG. 3 shows a rear view of the double carabiner of FIG. 1;  
FIG. 4 shows a right side view of the double carabiner of FIG. 1;  
FIG. 5 shows a left side view of the double carabiner of FIG. 1;  
FIG. 6 shows a top view of the double carabiner of FIG. 1; and,  
FIG. 7 shows a bottom view of the double carabiner of FIG. 1.

(56) **References Cited**

**U.S. PATENT DOCUMENTS**

582,780 A \* 5/1897 Eldridge ..... F16B 45/02  
24/582.11  
D577,574 S \* 9/2008 Liang ..... D8/356  
D607,712 S \* 1/2010 Kelleghan ..... D8/356  
D626,393 S \* 11/2010 Ormsbee ..... D8/34  
D637,473 S \* 5/2011 Mitchell ..... D8/336  
D646,556 S \* 10/2011 Kelleghan ..... D8/356  
D669,764 S \* 10/2012 Kelleghan ..... D8/356  
D702,106 S \* 4/2014 Weinberg ..... D8/356  
D725,373 S \* 3/2015 Jiang ..... D3/207

**1 Claim, 5 Drawing Sheets**



(56)

**References Cited**

U.S. PATENT DOCUMENTS

10,499,712 B2 \* 12/2019 Cowdery ..... A44B 13/02  
10,514,057 B2 \* 12/2019 Cardella ..... E05B 17/0041  
10,624,426 B2 \* 4/2020 Adelman ..... F16B 2/22  
2009/0000086 A1 \* 1/2009 Bing ..... F16B 45/06  
24/592.11  
2016/0153487 A1 \* 6/2016 Hollinger ..... F16B 45/02  
24/376

\* cited by examiner

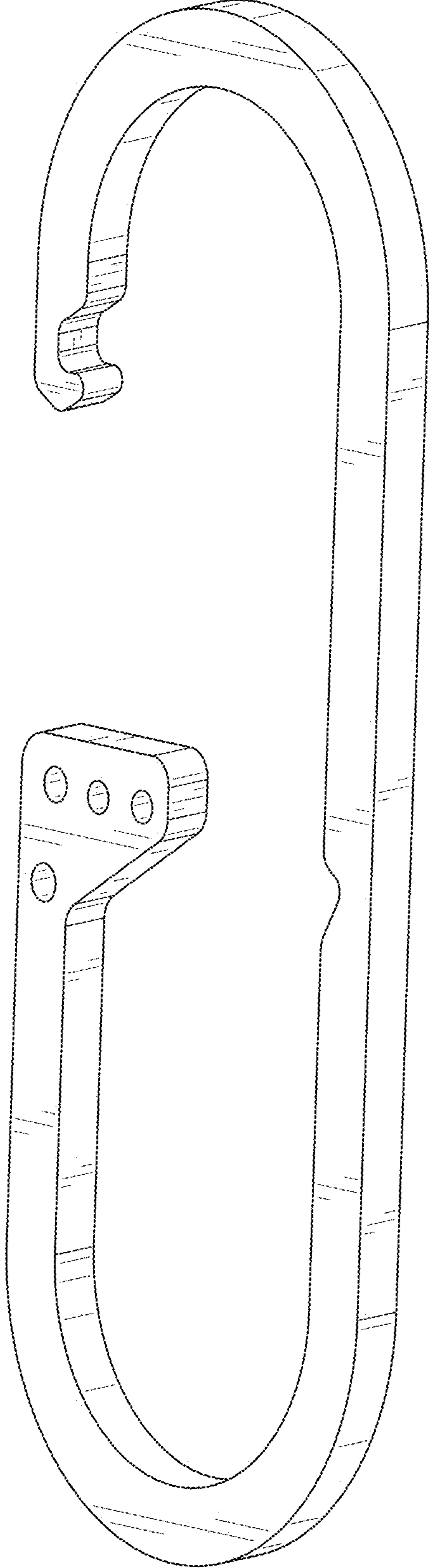


FIG. 1

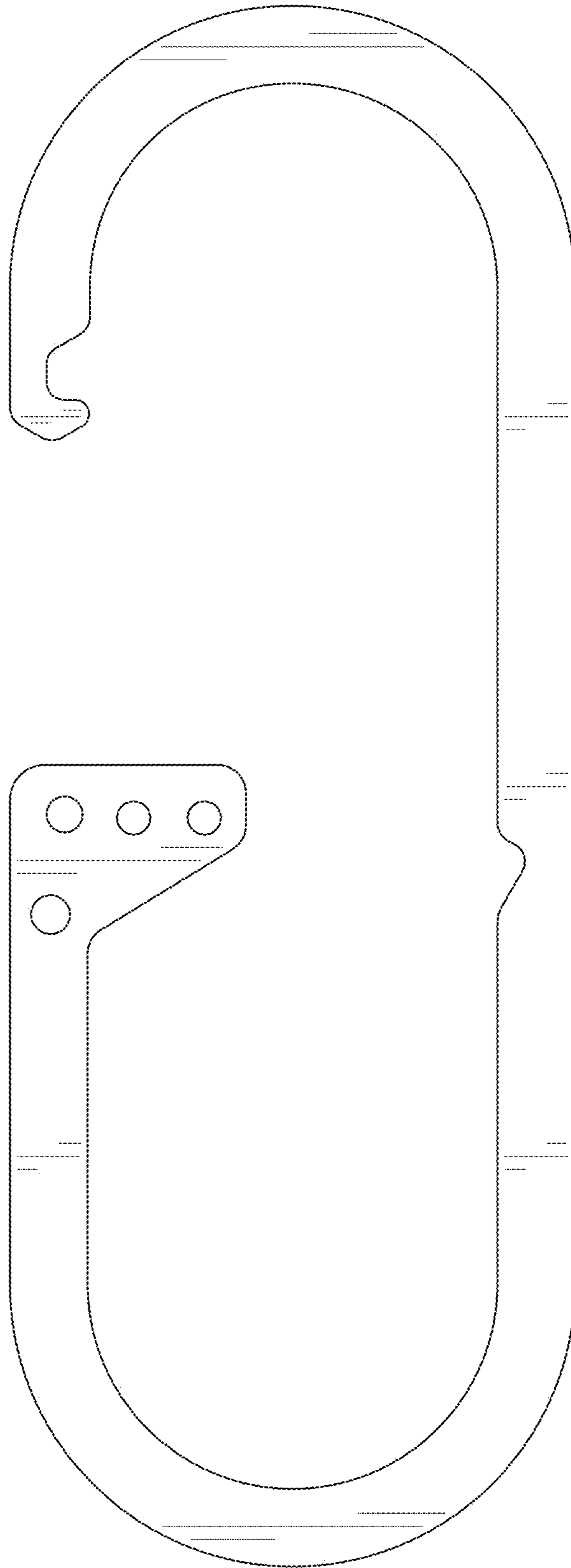


FIG. 2

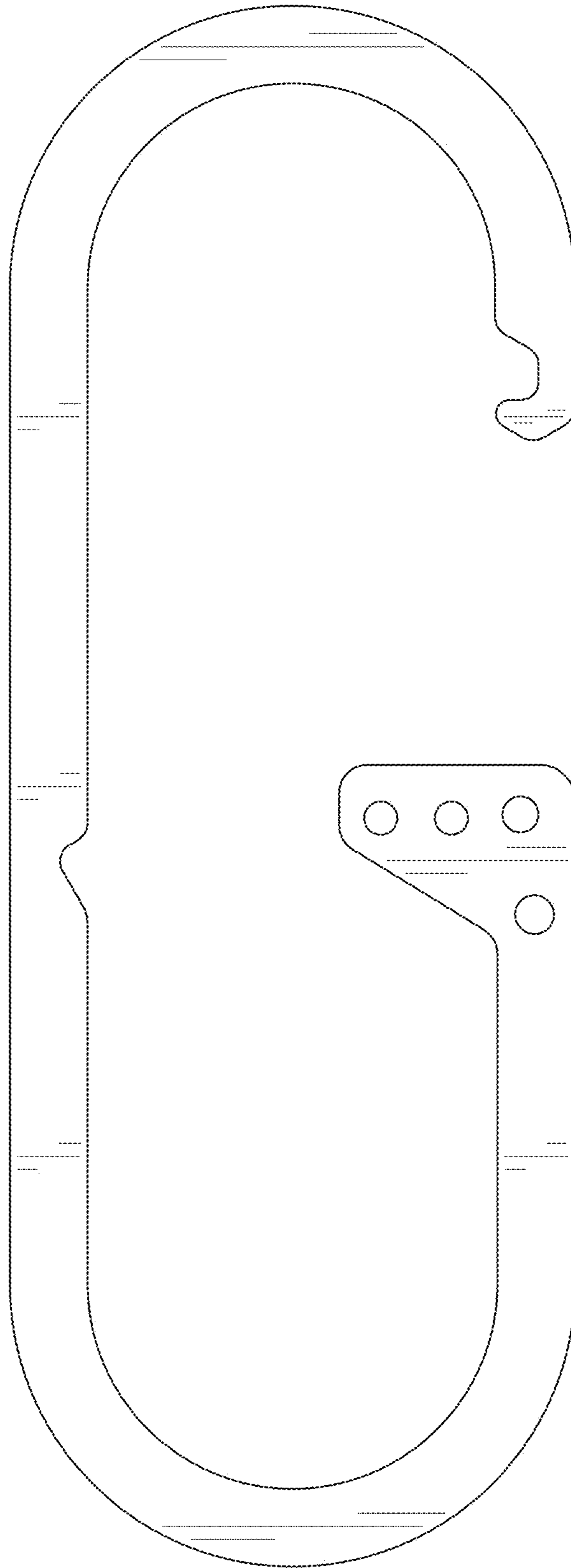


FIG. 3

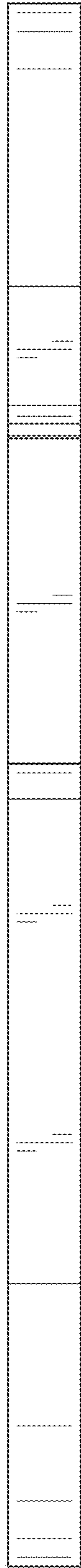


FIG. 4

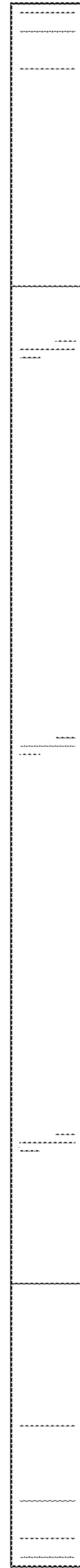


FIG. 5



FIG. 6

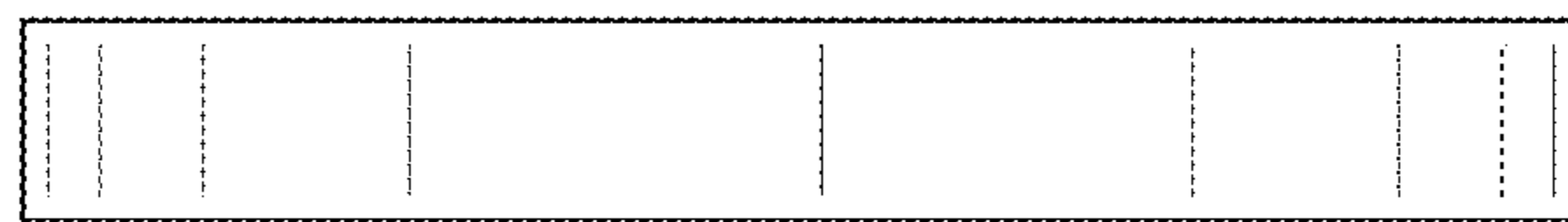


FIG. 7