

US00D942839S

(12) **United States Design Patent** (10) **Patent No.:** **US D942,839 S**  
**Weiss et al.** (45) **Date of Patent:** **\*\* Feb. 8, 2022**

(54) **MAST HOSE TURNAROUND**  
(71) Applicant: **Hyster-Yale Group, Inc.**, Fairview, OR (US)  
(72) Inventors: **Samuel Weiss**, Portland, OR (US); **Clare Linneman**, Portland, OR (US)  
(73) Assignee: **HYSTER-YALE GROUP, INC.**, Fairview, OR (US)

D899,234 S \* 10/2020 Chen ..... D8/367  
D925,339 S \* 7/2021 Leonard ..... D8/356  
D926,557 S \* 8/2021 Blanchette ..... D8/356  
2007/0205344 A1\* 9/2007 Liermann ..... A01M 31/02  
248/217.3  
2008/0296456 A1\* 12/2008 Lien ..... A47G 1/20  
248/304  
2011/0107714 A1\* 5/2011 Kodi ..... E04C 5/20  
52/686  
2015/0122856 A1\* 5/2015 Pecotte ..... A45F 5/00  
224/268  
2017/0000270 A1\* 1/2017 Will ..... A47B 96/02

(\*\*) Term: **15 Years**

\* cited by examiner

(21) Appl. No.: **29/729,309**

Primary Examiner — Cynthia R Underwood

(22) Filed: **Mar. 25, 2020**

(74) Attorney, Agent, or Firm — Schwabe Williamson & Wyatt

(51) **LOC (13) Cl.** ..... **09-06**

(52) **U.S. Cl.**  
USPC ..... **D8/356; D8/367**

(57) **CLAIM**

(58) **Field of Classification Search**  
USPC ..... D8/367, 354, 349, 372, 356; D6/323;  
248/301–304, 339

We claim the ornamental design for a mast hose turnaround, as shown and described.

CPC ..... A47G 1/17; A47G 1/22; A47G 25/0607  
See application file for complete search history.

**DESCRIPTION**

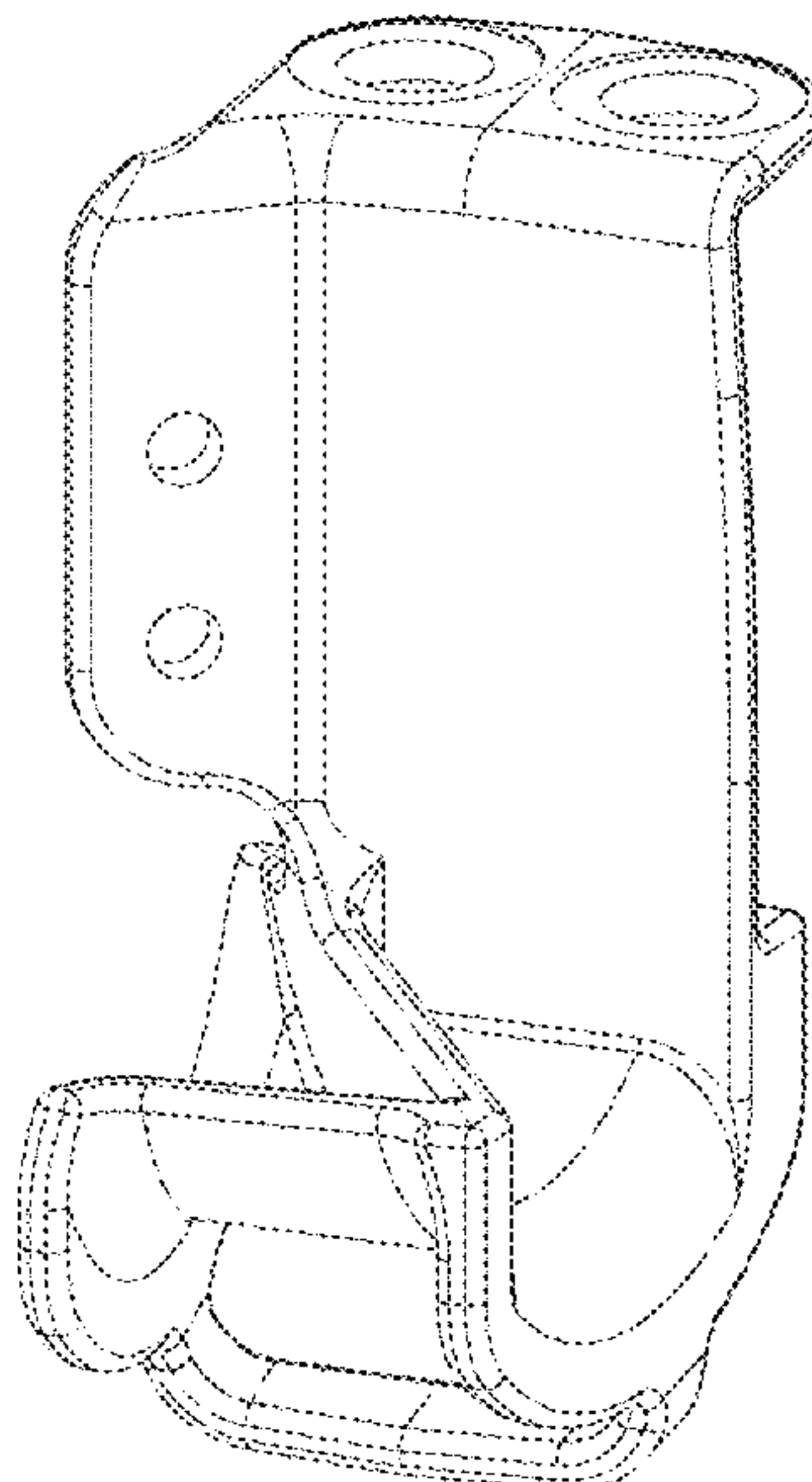
(56) **References Cited**

**U.S. PATENT DOCUMENTS**

5,248,072 A \* 9/1993 Jones ..... A45F 5/14  
224/247  
6,059,215 A \* 5/2000 Finnis ..... B65H 75/366  
242/400.1  
D533,362 S \* 12/2006 Giampavolo ..... D6/328  
D571,190 S \* 6/2008 Spadotto ..... B65H 75/366  
D8/356  
D584,939 S \* 1/2009 Snell ..... D8/367  
D682,663 S \* 5/2013 Evon ..... D8/367  
D697,388 S \* 1/2014 Pan ..... D8/367  
D697,389 S \* 1/2014 Pan ..... D8/367  
D707,111 S \* 6/2014 Callif ..... D8/367  
D763,665 S \* 8/2016 Hallare ..... D8/356  
D798,131 S \* 9/2017 Agneessens ..... D8/373  
D878,907 S \* 3/2020 Sotis ..... D8/356

FIG. 1 is a perspective view showing a first embodiment of our design;  
FIG. 2 is a top view;  
FIG. 3 is a bottom view.  
FIG. 4 is a front view;  
FIG. 5 is a rear view;  
FIG. 6 is a left side view;  
FIG. 7 is a right side view;  
FIG. 8 is a perspective view showing a second embodiment of our design;  
FIG. 9 is a top view;  
FIG. 10 is a bottom view.  
FIG. 11 is a front view;  
FIG. 12 is a rear view;  
FIG. 13 is a left side view; and,  
FIG. 14 is a right side view.

**1 Claim, 14 Drawing Sheets**



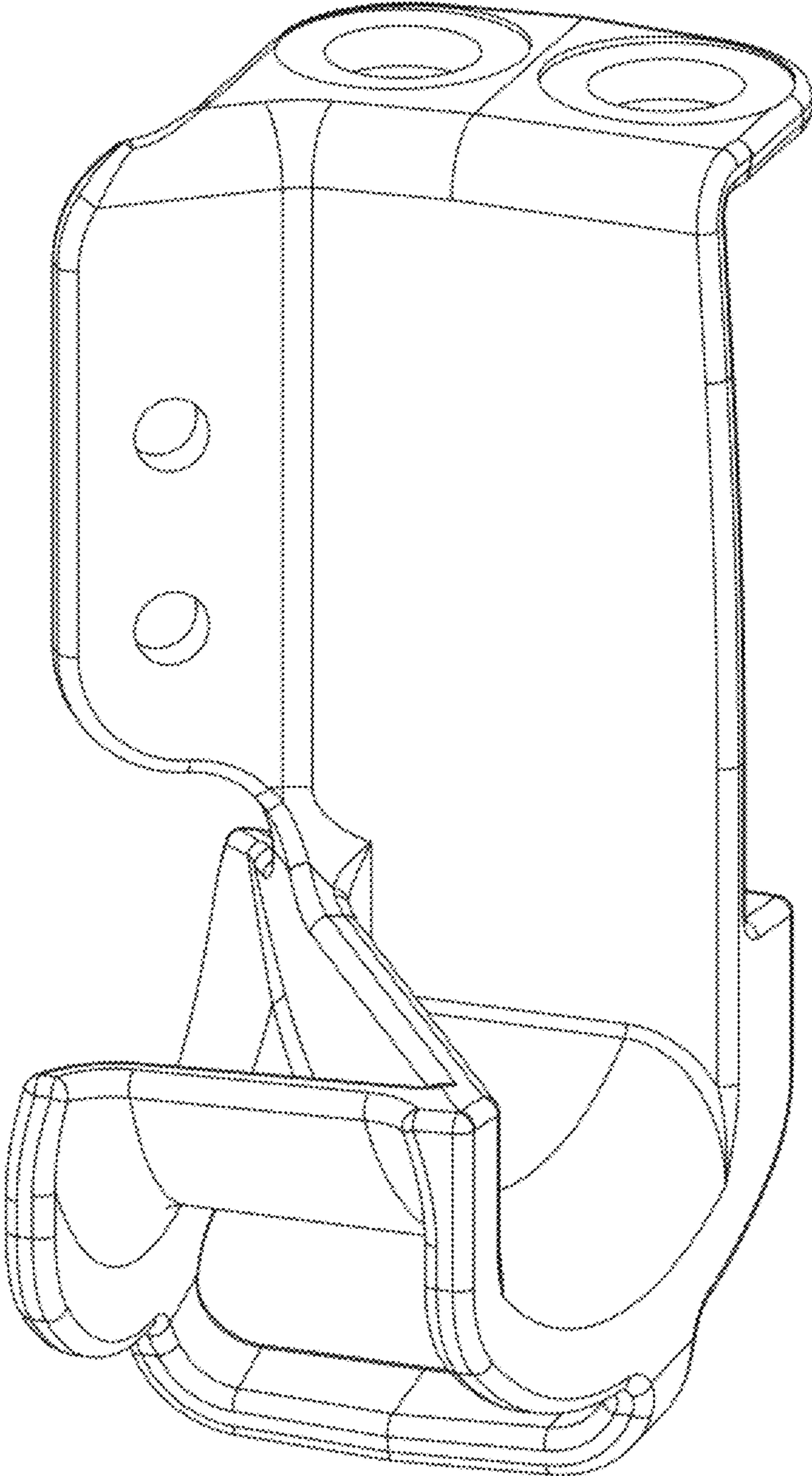


FIG. 1

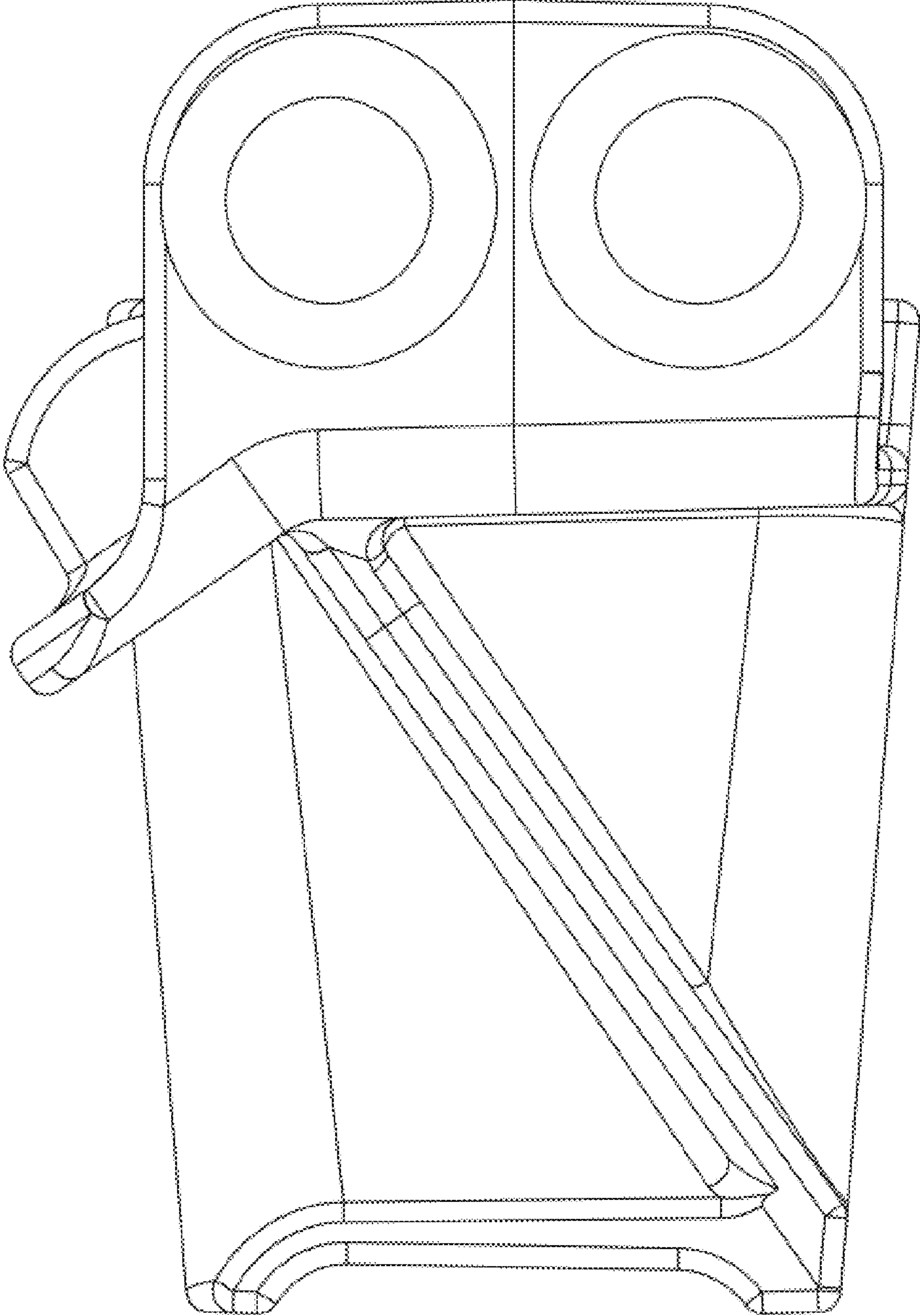


FIG. 2



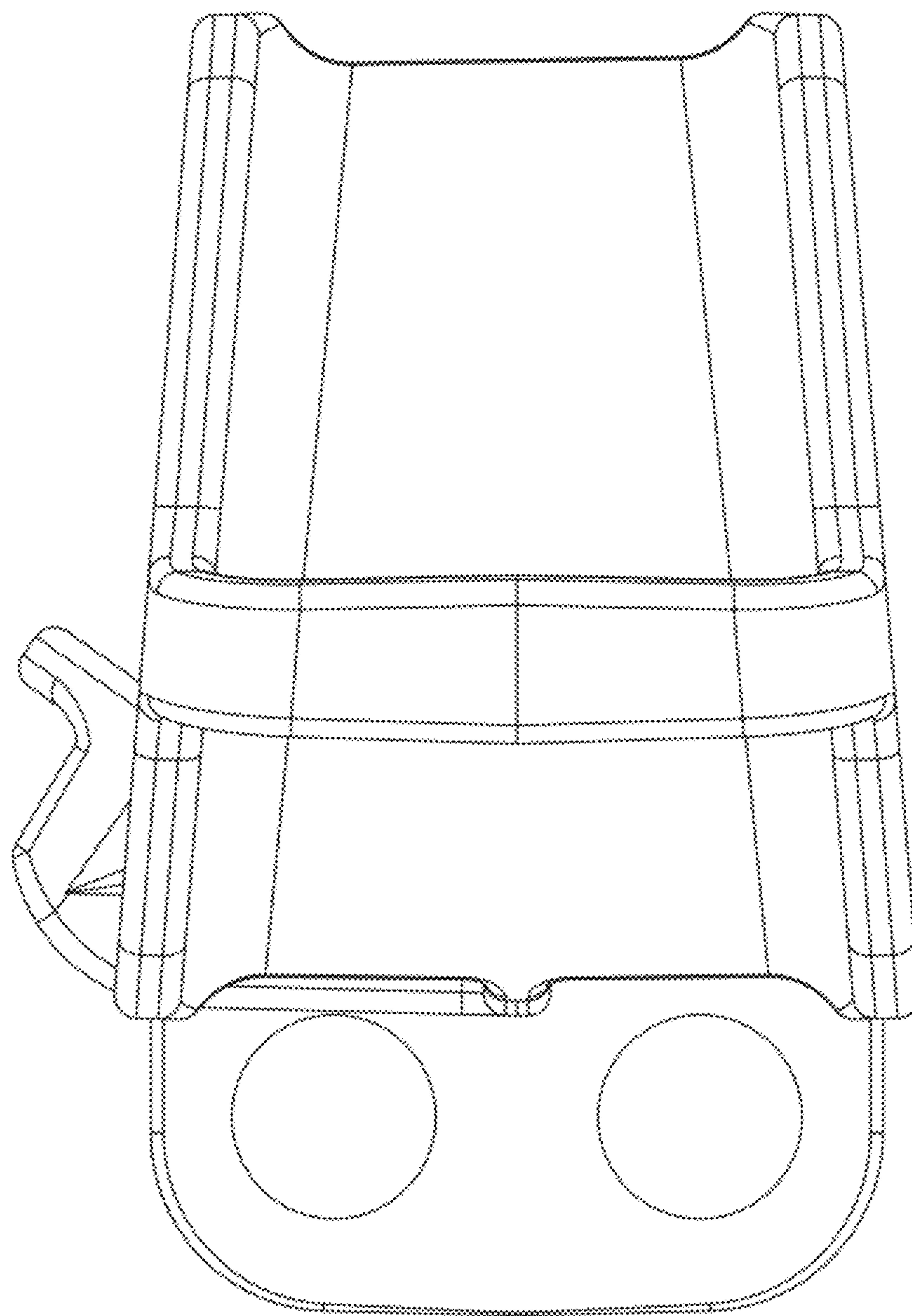


FIG. 3

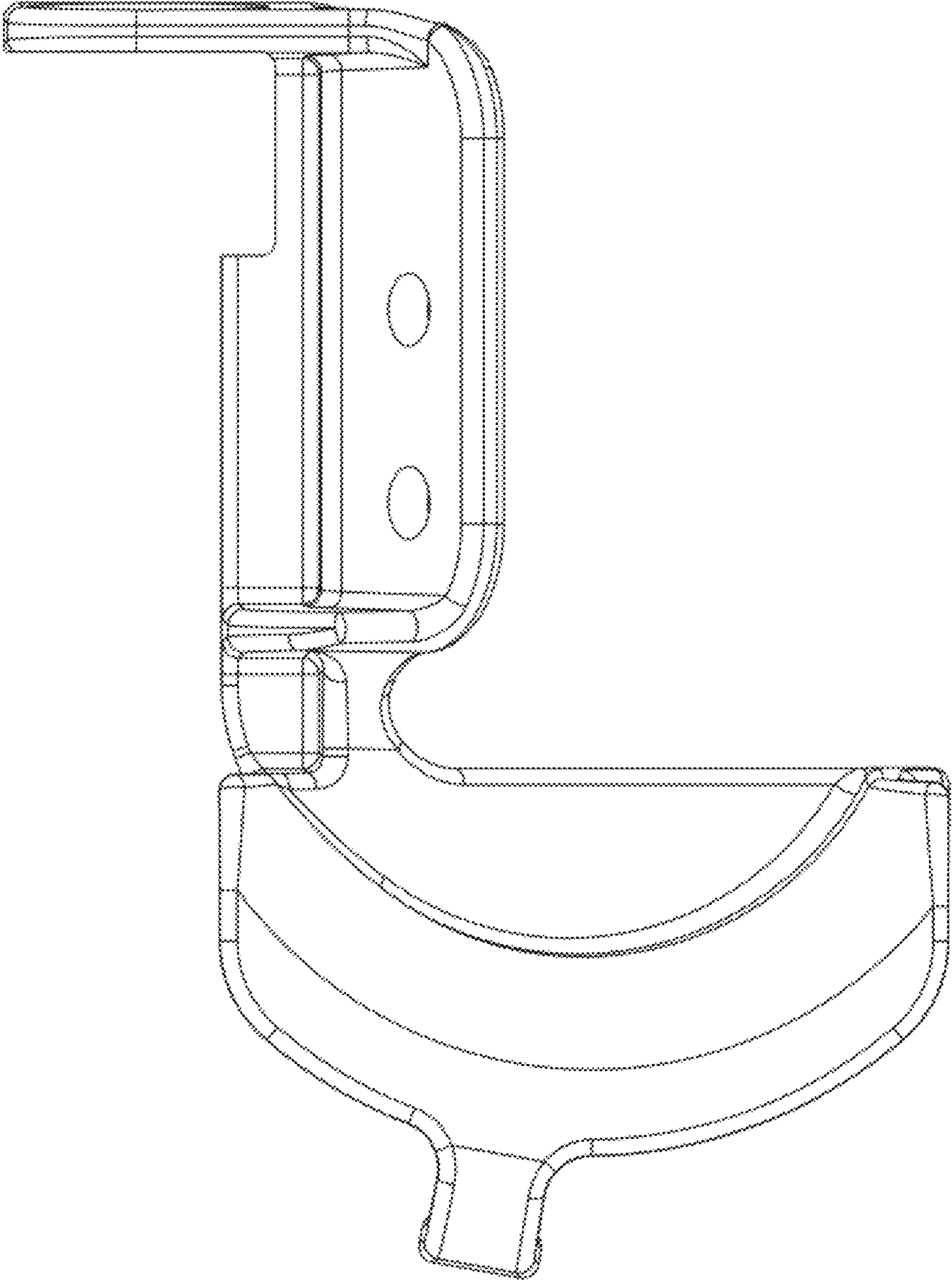


FIG. 4

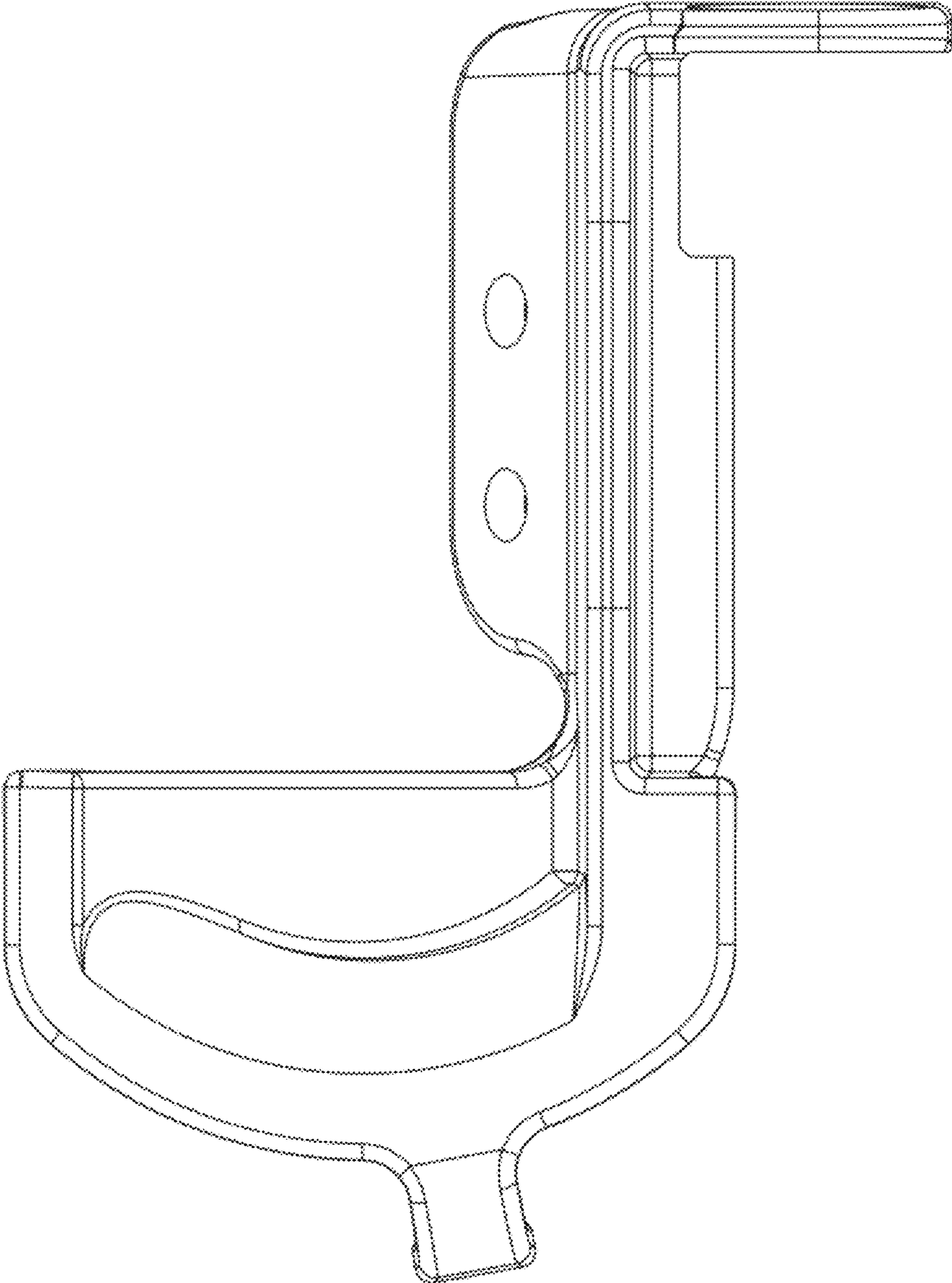


FIG. 5

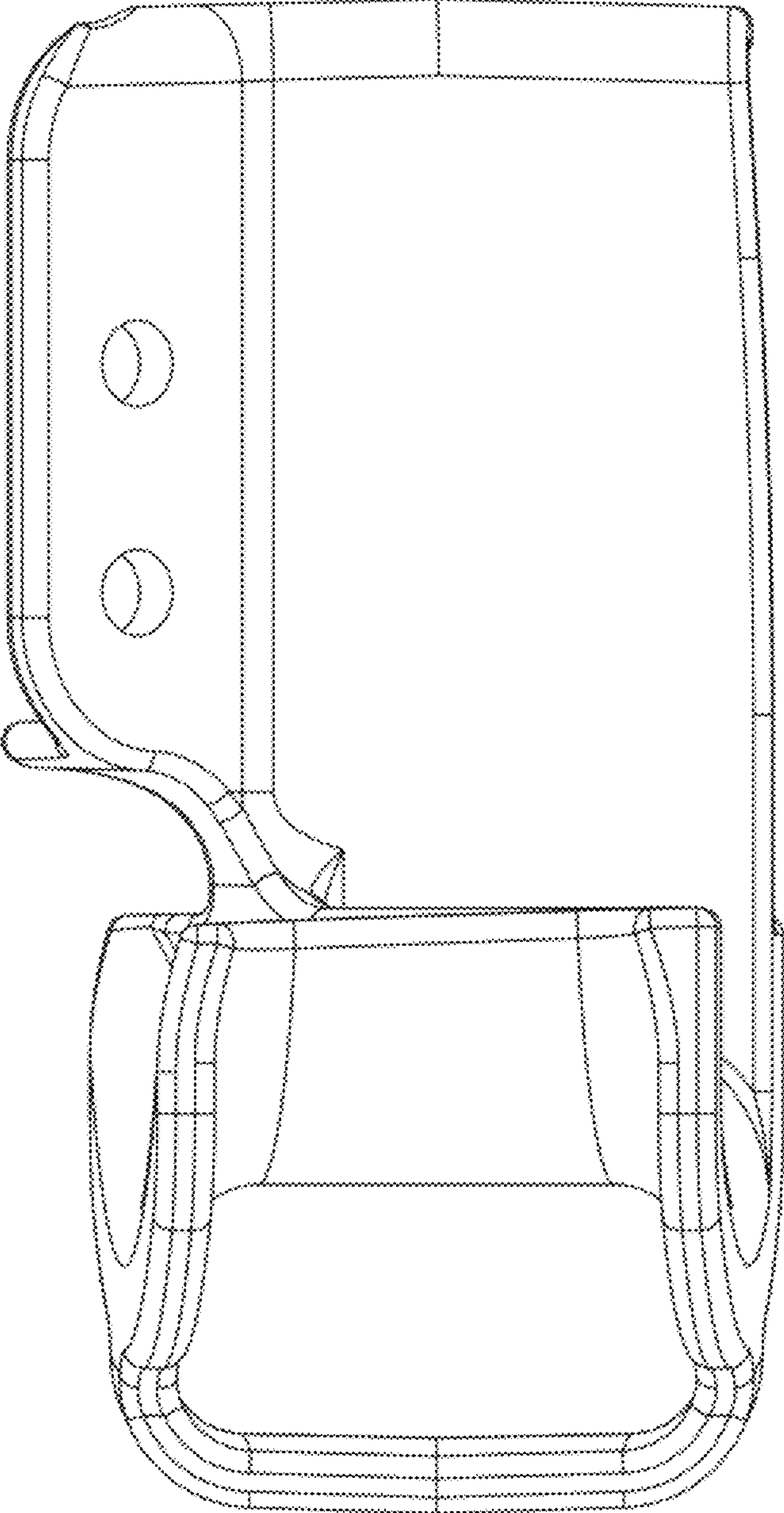


FIG. 6



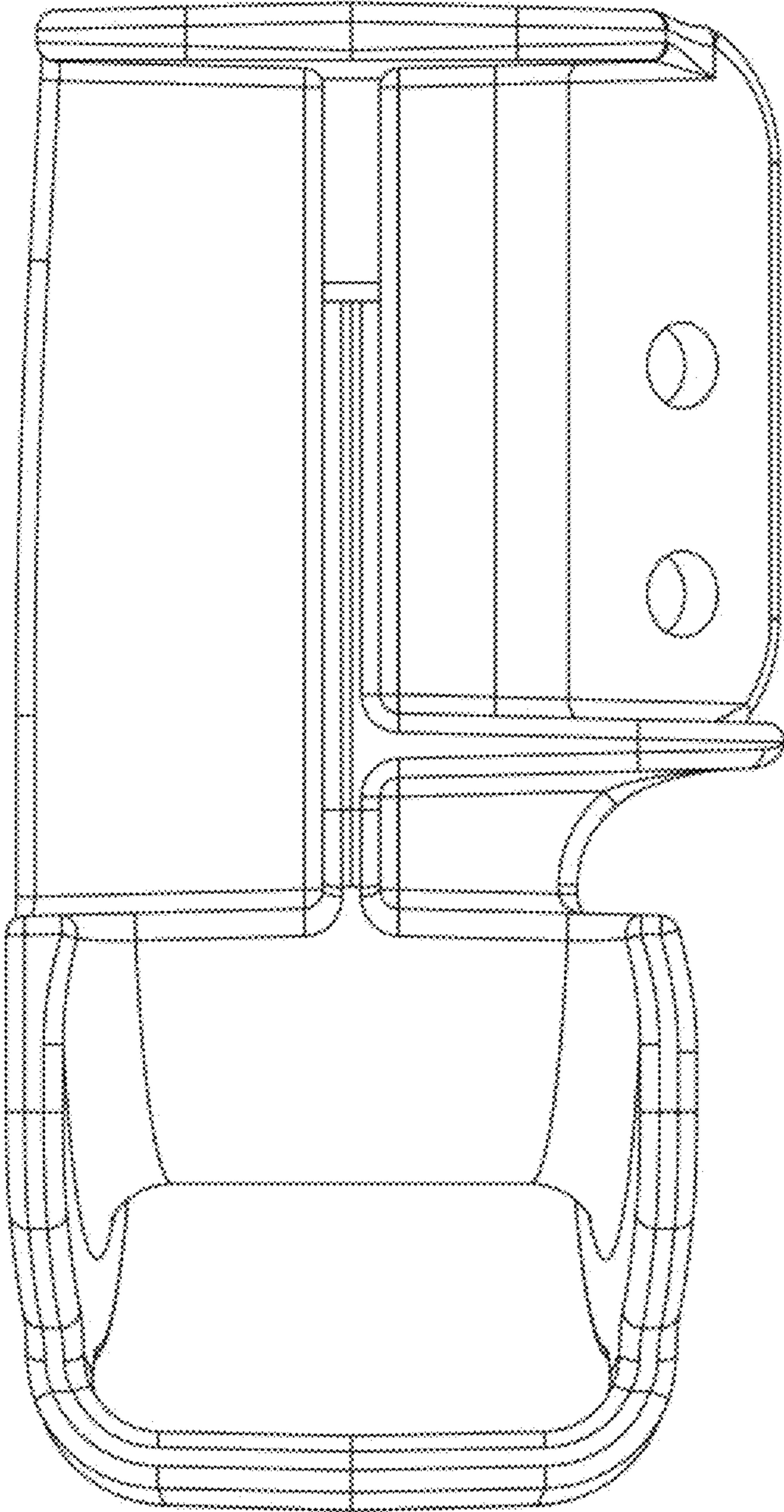


FIG. 7



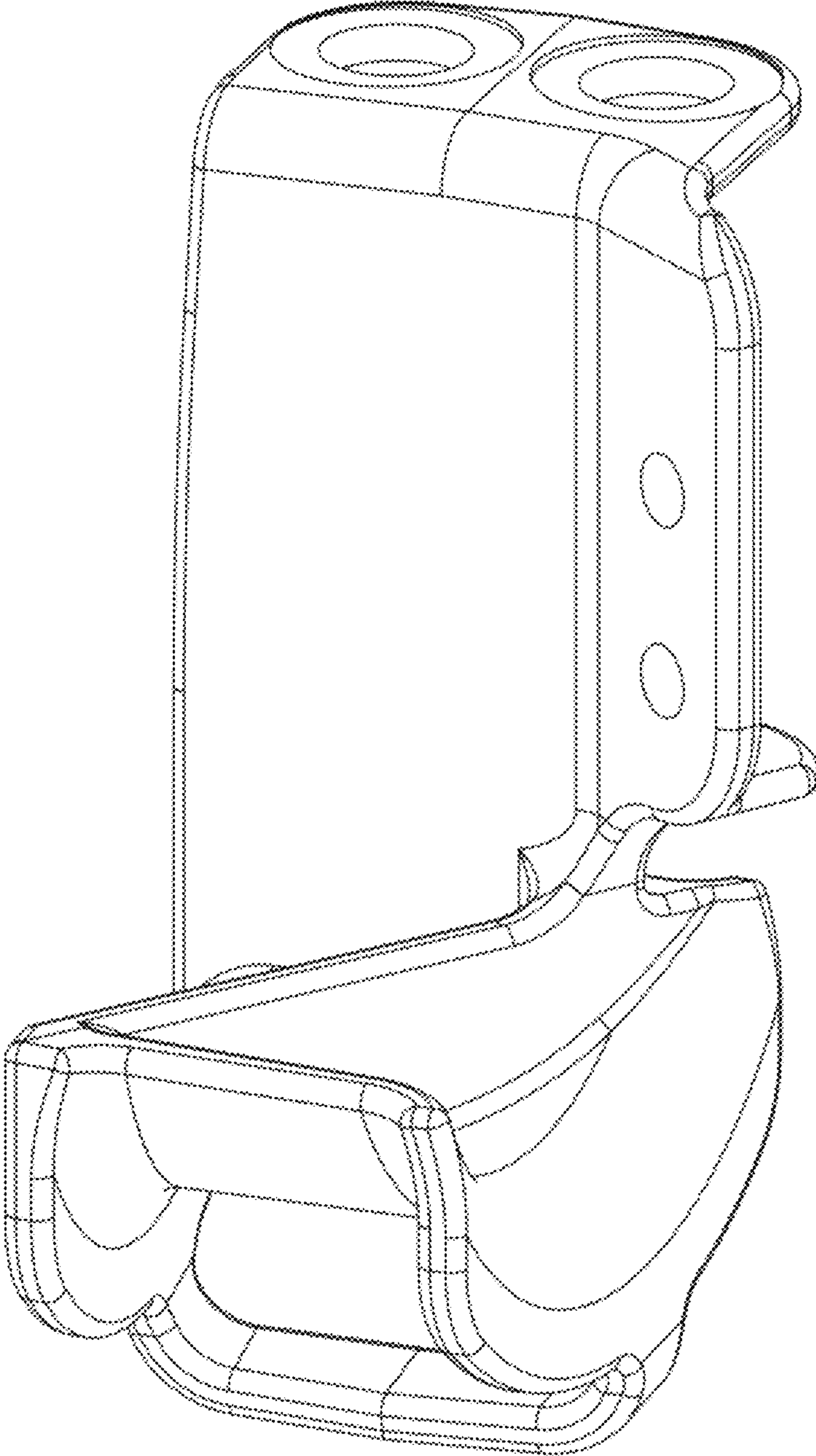


FIG. 8

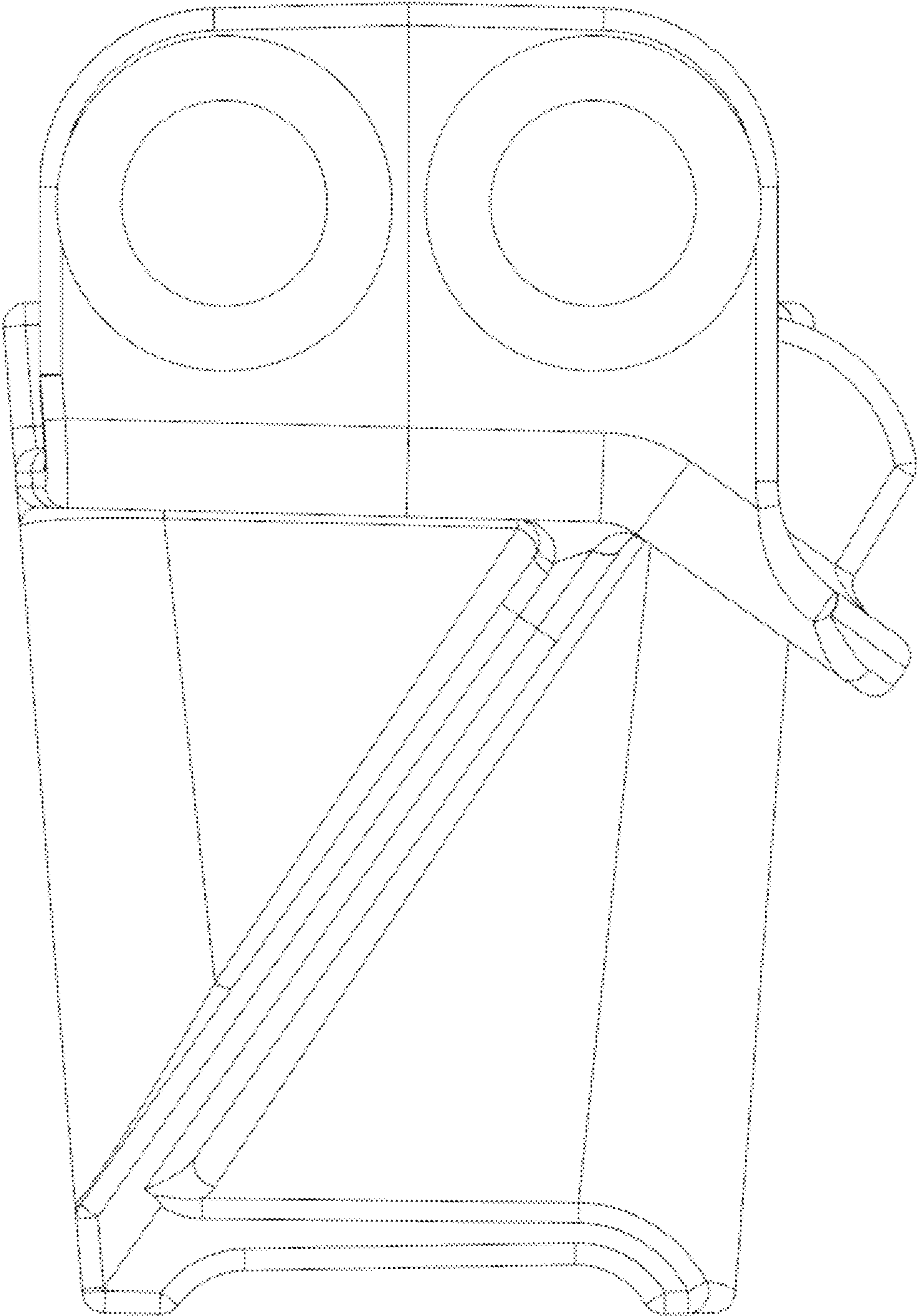


FIG. 9

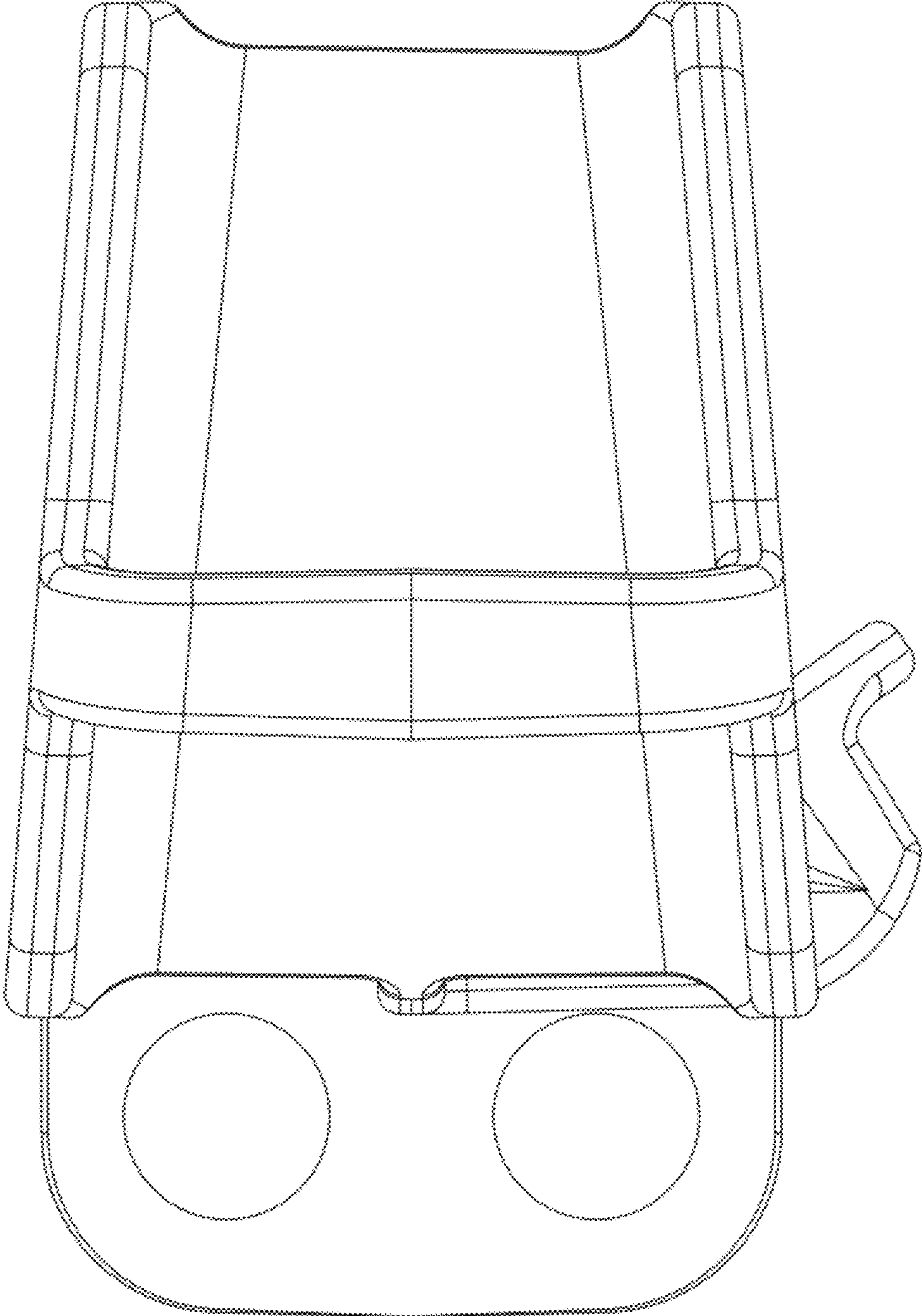


FIG. 10

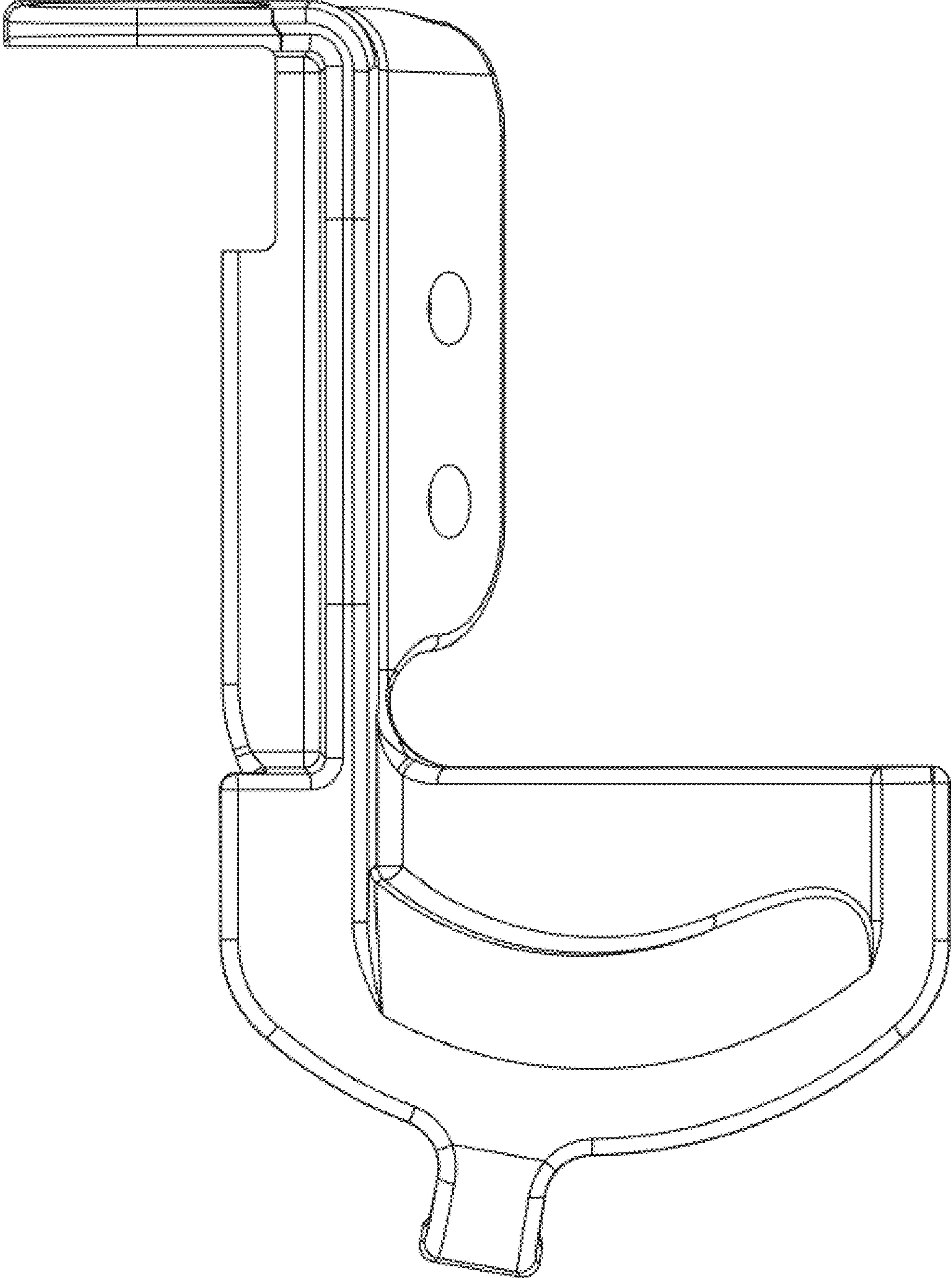


FIG. 11



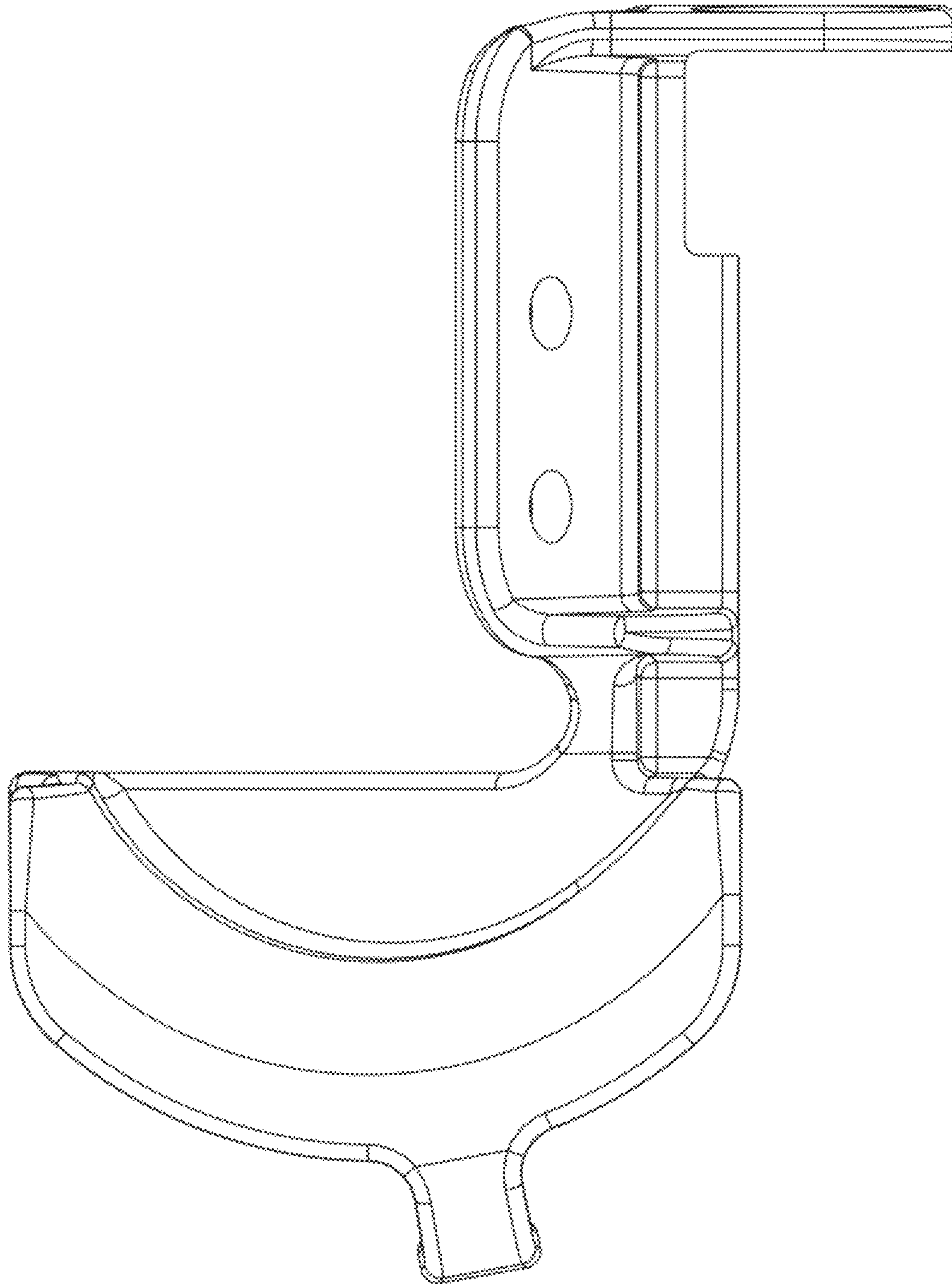


FIG. 12

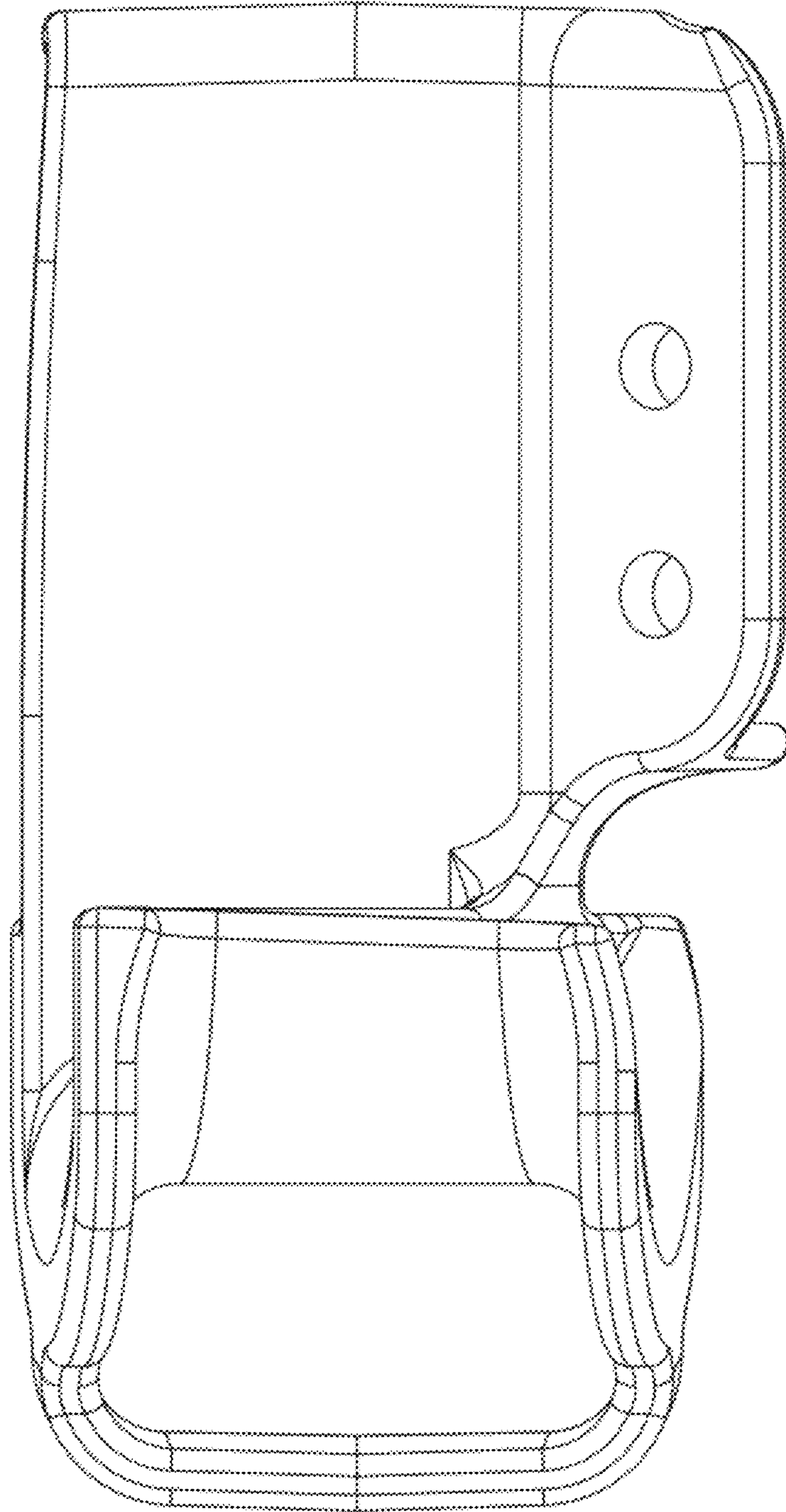


FIG. 13

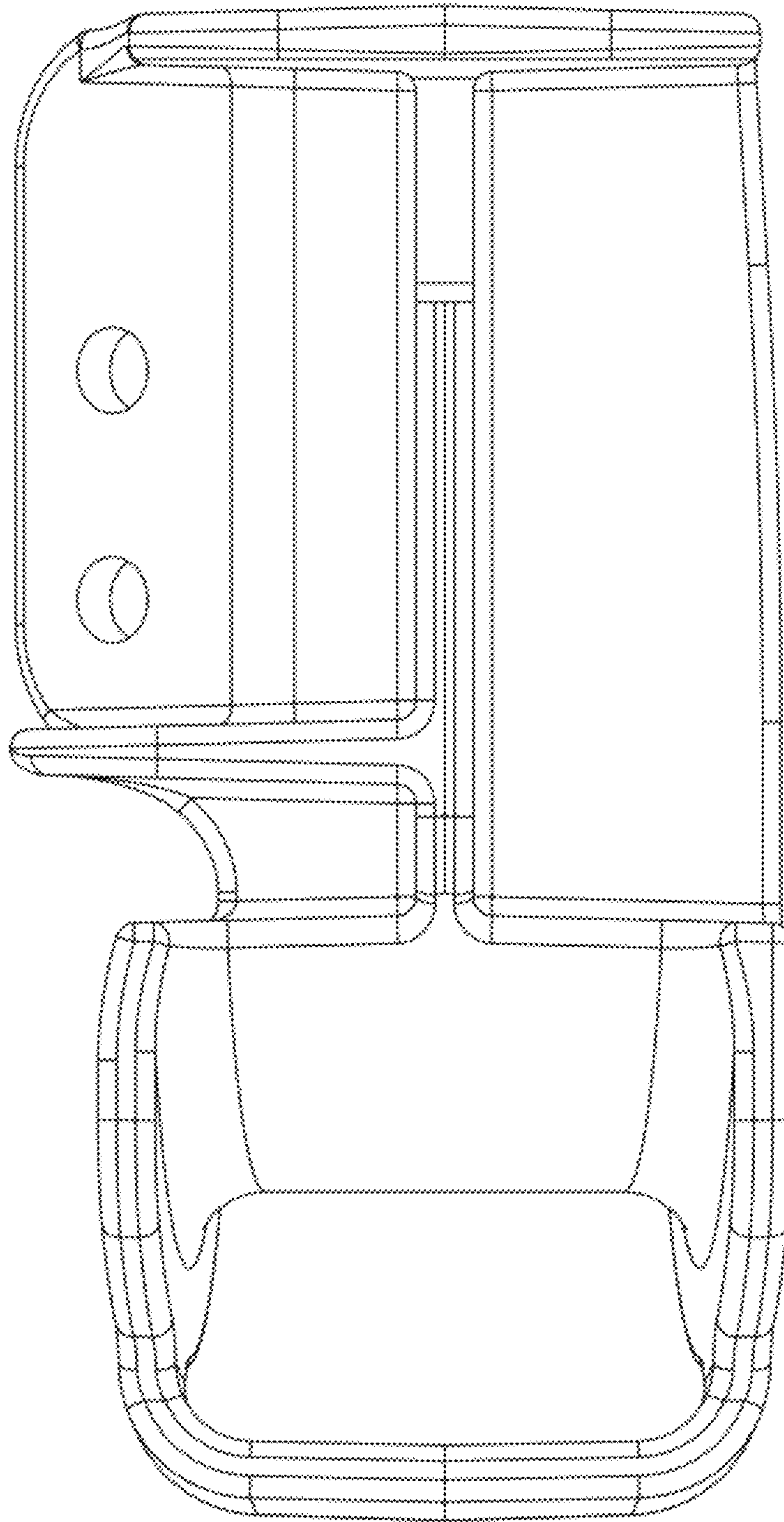


FIG. 14