



US00D942838S

(12) **United States Design Patent**
Grossman

(10) **Patent No.:** **US D942,838 S**
(45) **Date of Patent:** **** Feb. 8, 2022**

(54) **CARABINER**

(71) Applicant: **Peter Grossman**, Castle Hill (AU)

(72) Inventor: **Peter Grossman**, Annangrove (AU)

(**) Term: **15 Years**

(21) Appl. No.: **29/723,626**

(22) Filed: **Feb. 9, 2020**

(51) **LOC (13) Cl.** **09-06**

(52) **U.S. Cl.**
USPC **D8/356**

(58) **Field of Classification Search**
USPC D8/356, 354, 105, 349, 367; D3/207;
24/376

CPC B65H 57/16; B63B 21/045; A63B 29/08;
A63B 27/02

See application file for complete search history.

(56) **References Cited**

U.S. PATENT DOCUMENTS

- 582,780 A * 5/1897 Eldridge F16B 45/02
24/582.11
- D577,574 S * 9/2008 Liang D8/356
- D607,712 S * 1/2010 Kelleghan D8/356
- D626,393 S * 11/2010 Ormsbee D8/34
- D637,473 S * 5/2011 Mitchell D8/336
- D646,556 S * 10/2011 Kelleghan D8/356
- D669,764 S * 10/2012 Kelleghan D8/356
- D702,106 S * 4/2014 Weinberg D8/356

(Continued)

Primary Examiner — Cynthia R Underwood

(57) **CLAIM**

The ornamental design of a carabiner, substantially as shown and described.

DESCRIPTION

FIG. 1 is a front perspective view of a carabiner in accordance with the present invention;

FIG. 2 is a front view thereof,
 FIG. 3 is a rear view thereof;
 FIG. 4 is a top view thereof;
 FIG. 5 is a bottom view thereof;
 FIG. 6 is a left side view thereof;
 FIG. 7 is a right side view thereof;
 FIG. 8 is a front perspective view of an alternative embodiment of the carabiner in accordance with the present invention;
 FIG. 10 is a rear view of FIG. 8;
 FIG. 11 is a top view of FIG. 8;
 FIG. 12 is a bottom view of FIG. 8;
 FIG. 13 is a left side view of FIG. 8;
 FIG. 14 is a right side view of FIG. 8;
 FIG. 15 is a front perspective view of an alternative embodiment of the combiner in accordance with the present invention;
 FIG. 16 is a front view of FIG. 15;
 FIG. 17 is a rear view of FIG. 15;
 FIG. 18 is a top view of FIG. 15;
 FIG. 19 is a bottom view of FIG. 15;
 FIG. 20 is a left side view of FIG. 15;
 FIG. 21 is a right side view of FIG. 15;
 FIG. 22 is a front perspective view of an alternative embodiment of the carabiner in accordance with the present invention;
 FIG. 23 is a front view of FIG. 22;
 FIG. 24 is a rear view of FIG. 22;
 FIG. 25 is a top view of FIG. 22;
 FIG. 26 is a bottom view of FIG. 22;
 FIG. 27 is a left side view of FIG. 22;
 FIG. 28 is a right side view of FIG. 22;
 FIG. 29 is a front perspective view of an alternative embodiment of the carabiner in accordance with the present invention;
 FIG. 30 is a front view of FIG. 29;
 FIG. 31 is a rear view of FIG. 29;
 FIG. 32 is a top view of FIG. 29;
 FIG. 33 is a bottom view of FIG. 29;
 FIG. 34 is a left side view of FIG. 29;
 FIG. 35 is a right side view of FIG. 29;

(Continued)

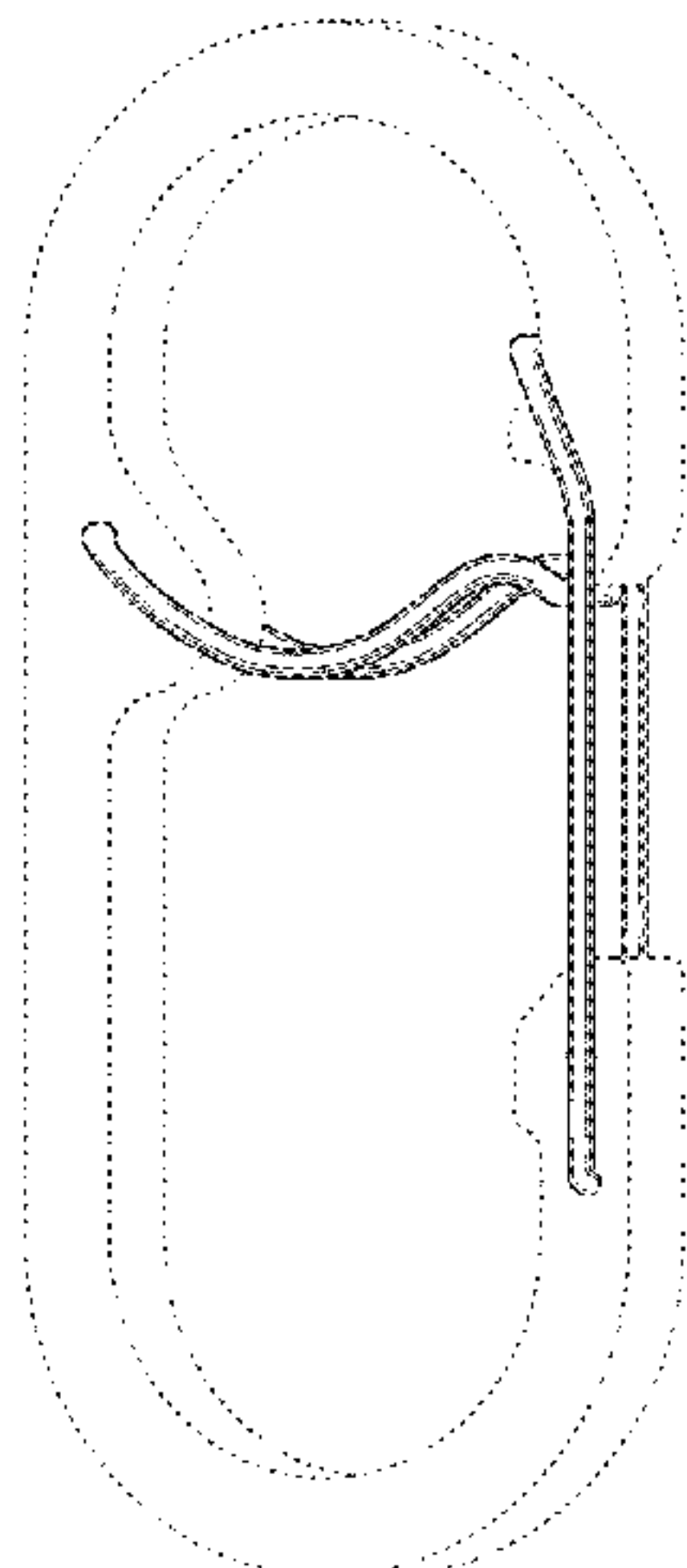


FIG. 36 is a front perspective view of an alternative embodiment of the carabiner in accordance with the present invention;
 FIG. 37 is a front view of FIG. 36;
 FIG. 38 is a rear view of FIG. 36;
 FIG. 39 is a top view of FIG. 36;
 FIG. 40 is a bottom view of FIG. 36;
 FIG. 41 is a left side view of FIG. 36;
 FIG. 42 is a right side view of FIG. 36;
 FIG. 43 is a front perspective view of an alternative embodiment of the carabiner in accordance with the present invention;
 FIG. 44 is a front view of FIG. 43;
 FIG. 45 is a rear view of FIG. 43;
 FIG. 46 is a top view of FIG. 43;
 FIG. 47 is a bottom view of FIG. 43;
 FIG. 48 is a left side view of FIG. 43;
 FIG. 49 is a right side view of FIG. 43;
 FIG. 50 is a front perspective view of an alternative embodiment of the carabiner in accordance with the present invention;
 FIG. 51 is a front view of FIG. 50;
 FIG. 52 is a rear view of FIG. 50;
 FIG. 53 is a top view of FIG. 50;
 FIG. 54 is a bottom view of FIG. 50;
 FIG. 55 is a left side view of FIG. 50; and,
 FIG. 56 is a right side view of FIG. 50.
 The broken lines depict environment and form no part of the claim.

1 Claim, 16 Drawing Sheets

(56)

References Cited

U.S. PATENT DOCUMENTS

D725,373	S *	3/2015	Jiang	D3/207
D729,513	S *	5/2015	Jiang	D3/207
9,255,602	B2 *	2/2016	Liang	F16B 45/06
D762,460	S *	8/2016	Gobbi	D8/356
D765,493	S *	9/2016	Spater	D8/356
D766,071	S *	9/2016	Spater	D8/356
D767,975	S *	10/2016	Jiang	D8/356
9,521,939	B2 *	12/2016	Haarburger	A47L 13/16
D775,513	S *	1/2017	Kelleghan	D8/356
D784,798	S *	4/2017	Logsdon	D8/394
D785,316	S *	5/2017	Grossman	D3/208
D785,317	S *	5/2017	Grossman	D3/208
9,797,432	B2 *	10/2017	Inkavesvaanit	F16B 45/02
D811,838	S *	3/2018	Enrico	D8/34
D821,090	S *	6/2018	Case	D3/207
D821,854	S *	7/2018	Berman	D8/356
D854,916	S *	7/2019	Derr	D8/356
D858,088	S *	9/2019	Osmanski	D3/207
D861,327	S *	10/2019	Osmanski	D3/207
10,499,712	B2 *	12/2019	Cowdery	A44B 13/02
10,514,057	B2 *	12/2019	Cardella	E05B 17/0041
10,624,426	B2 *	4/2020	Adelman	F16B 2/22
2009/0000086	A1 *	1/2009	Bing	F16B 45/06
					24/592.11
2016/0153487	A1 *	6/2016	Hollinger	F16B 45/02
					24/376

* cited by examiner

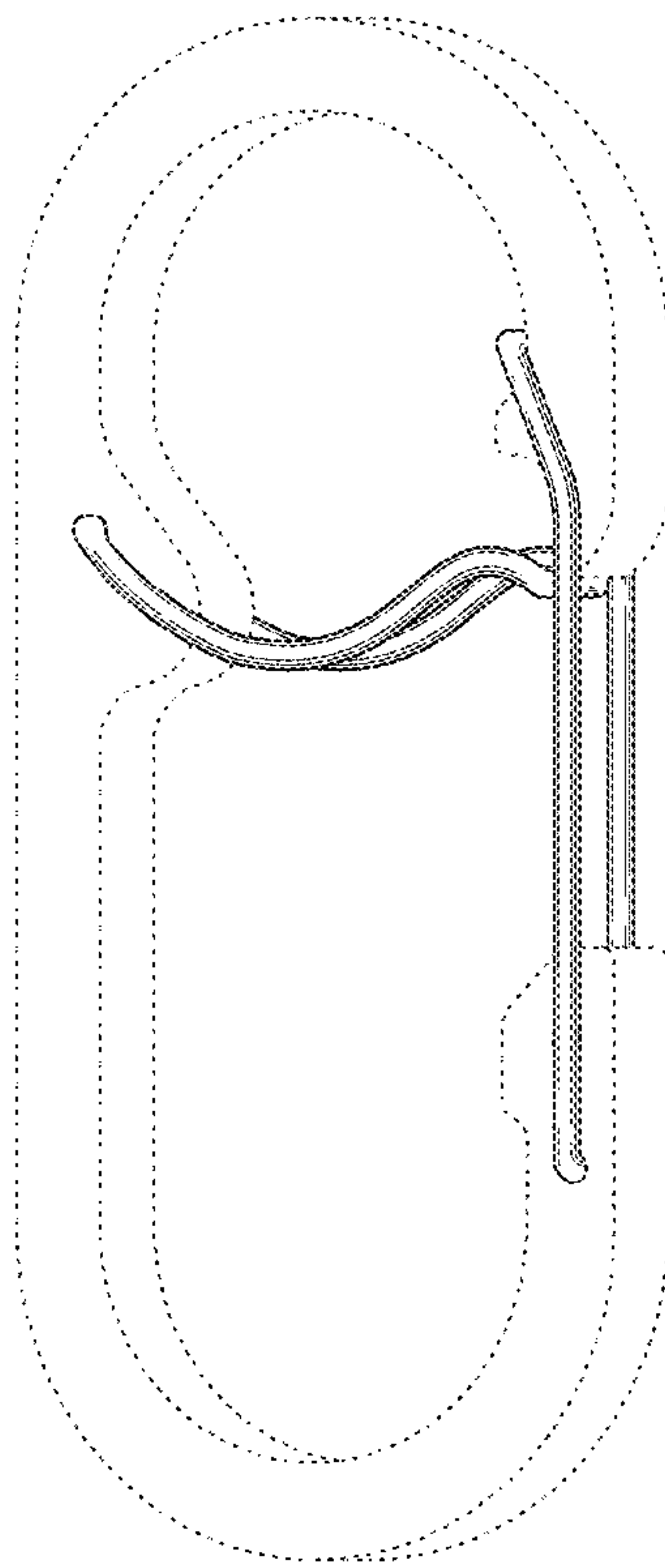


FIG. 1

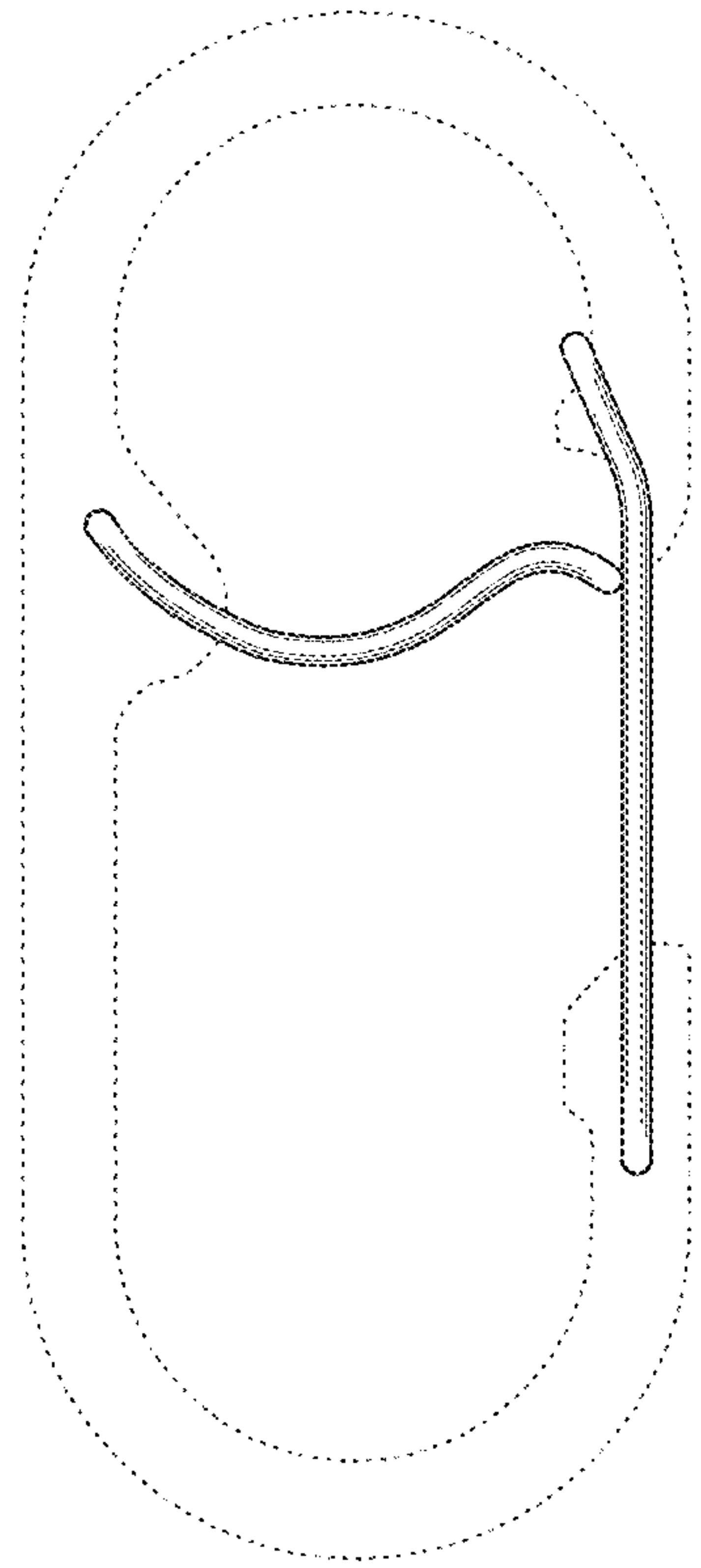


FIG. 2

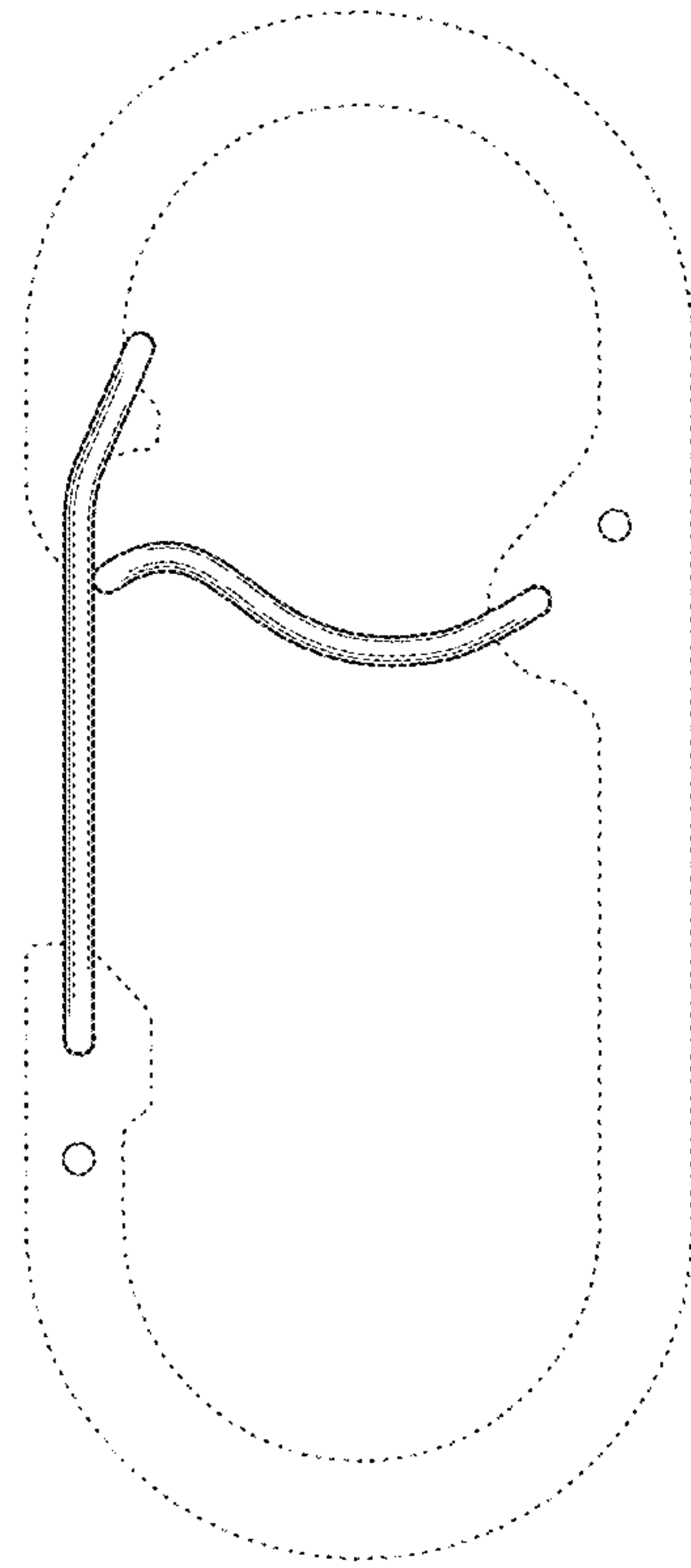


FIG. 3

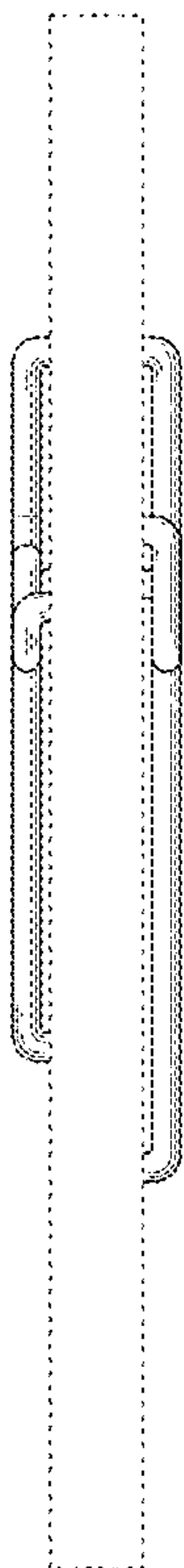


FIG. 6



FIG. 7

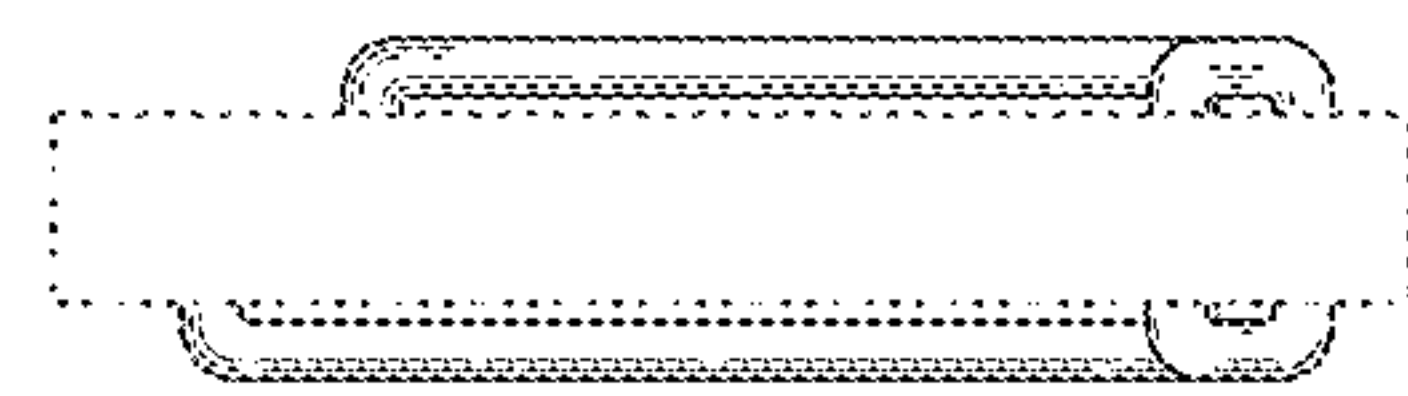


FIG. 4

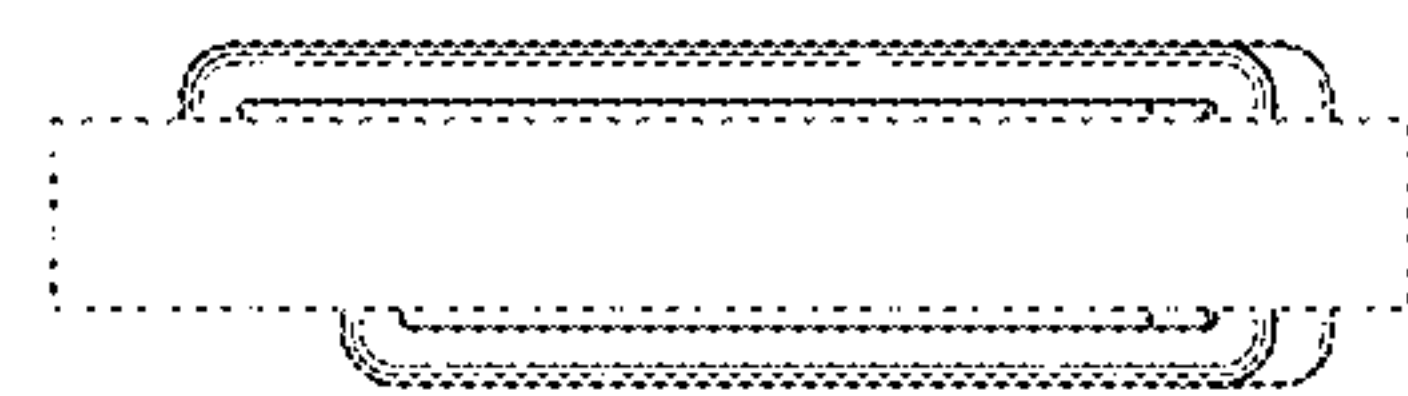


FIG. 5

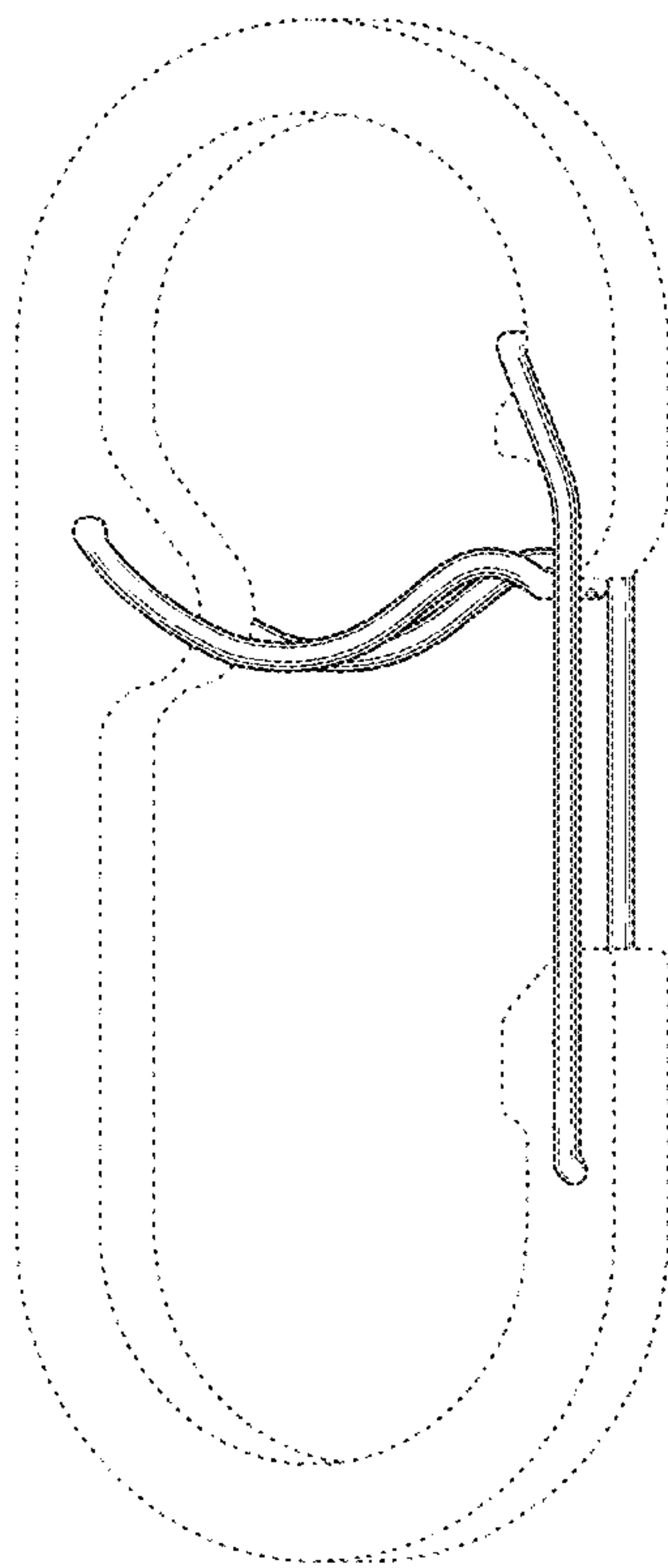


FIG. 8

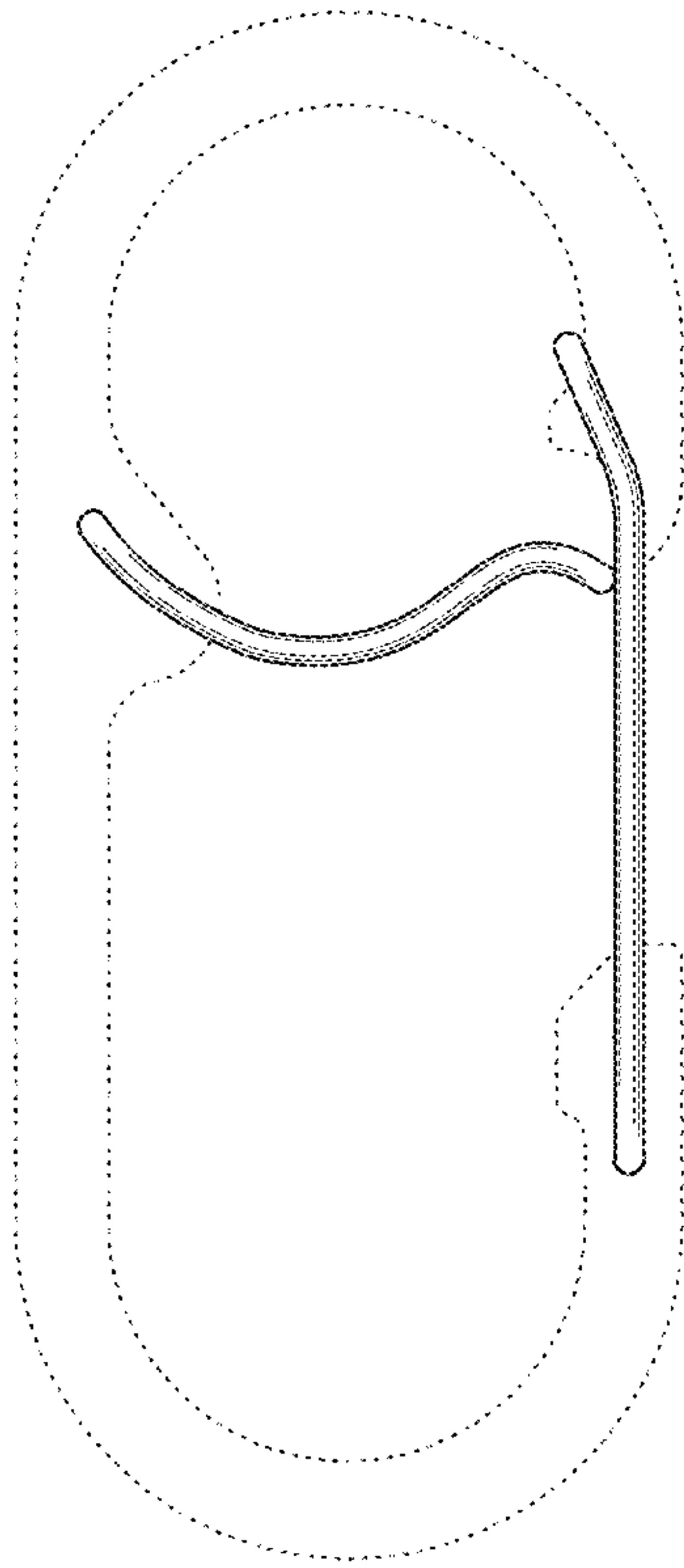


FIG. 9

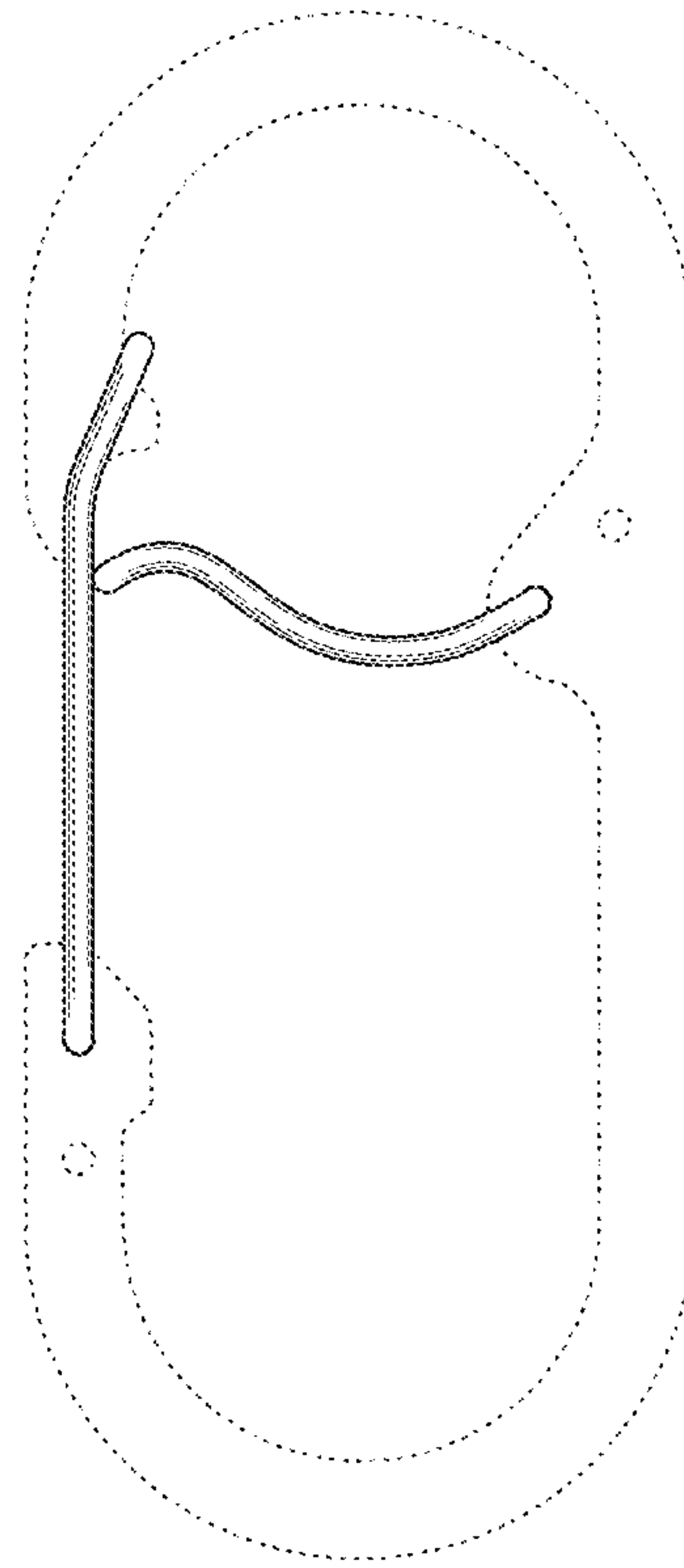


FIG. 10

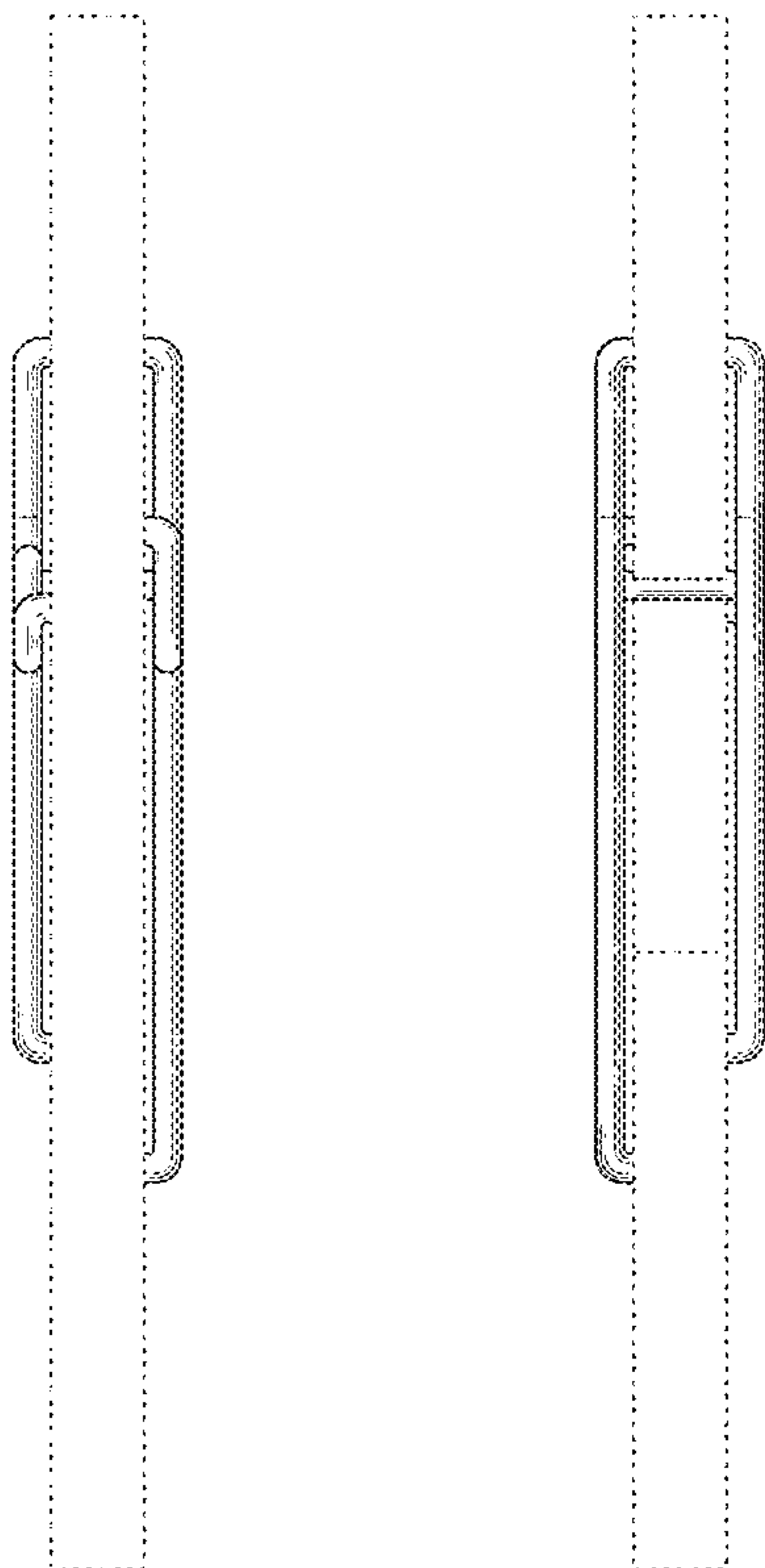


FIG. 13

FIG. 14

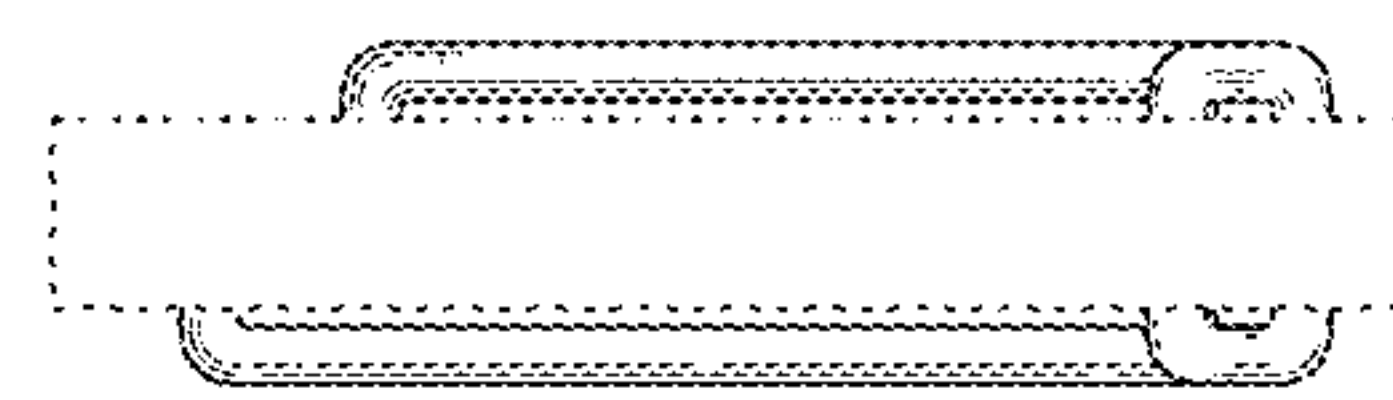


FIG. 11

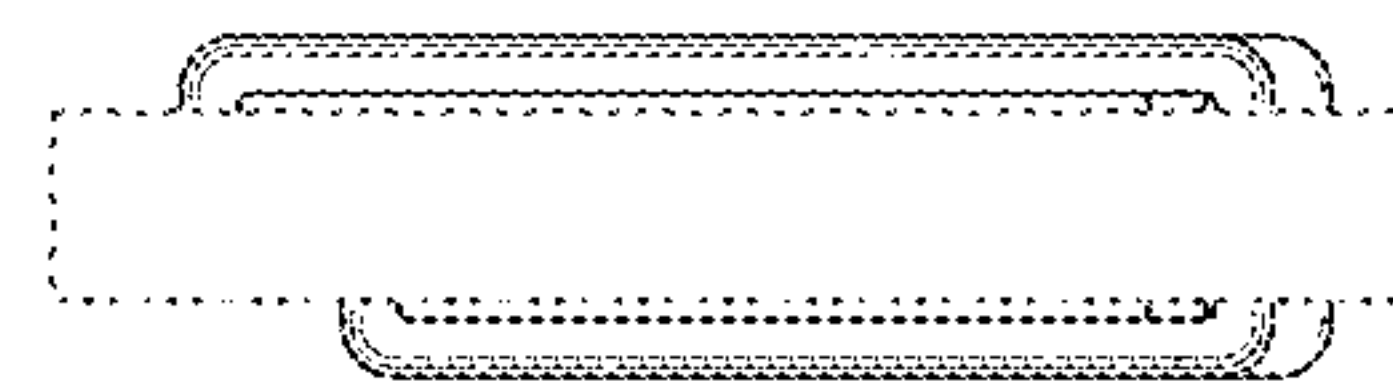


FIG. 12

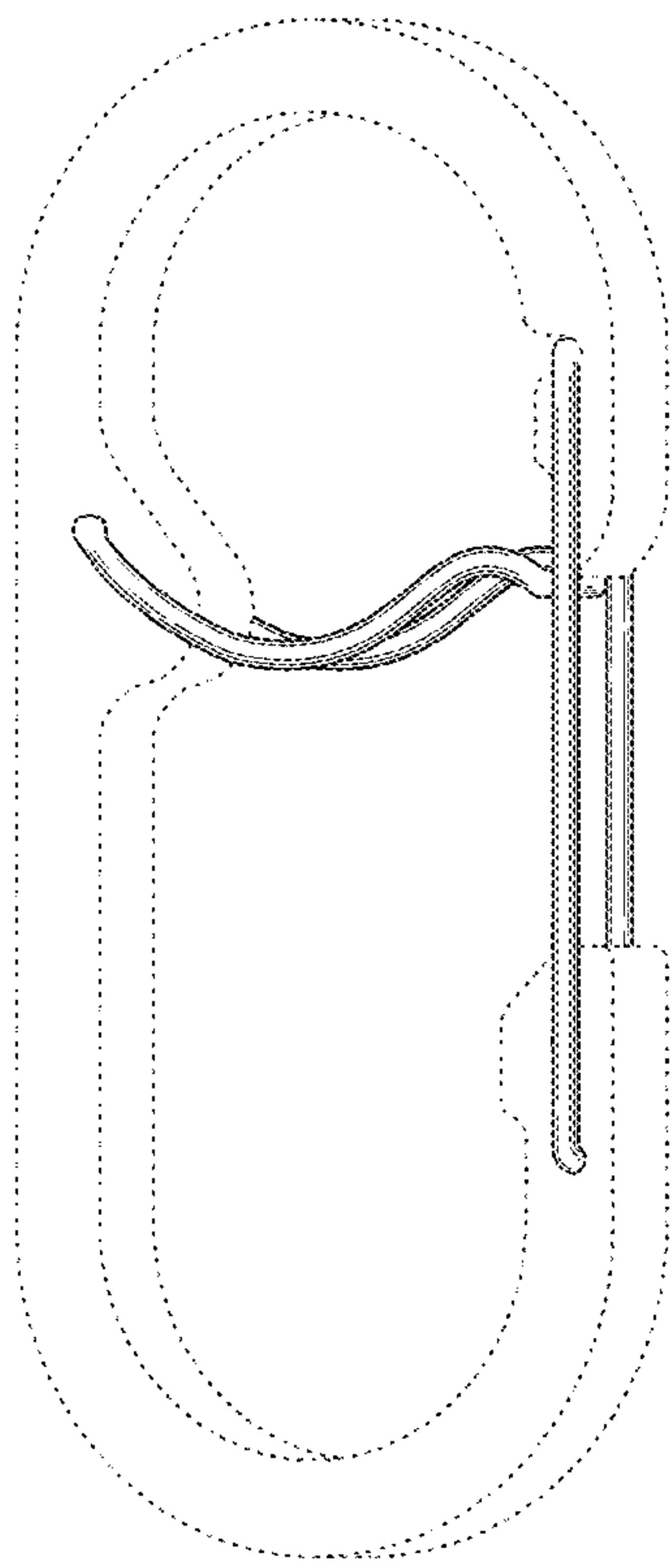


FIG. 15

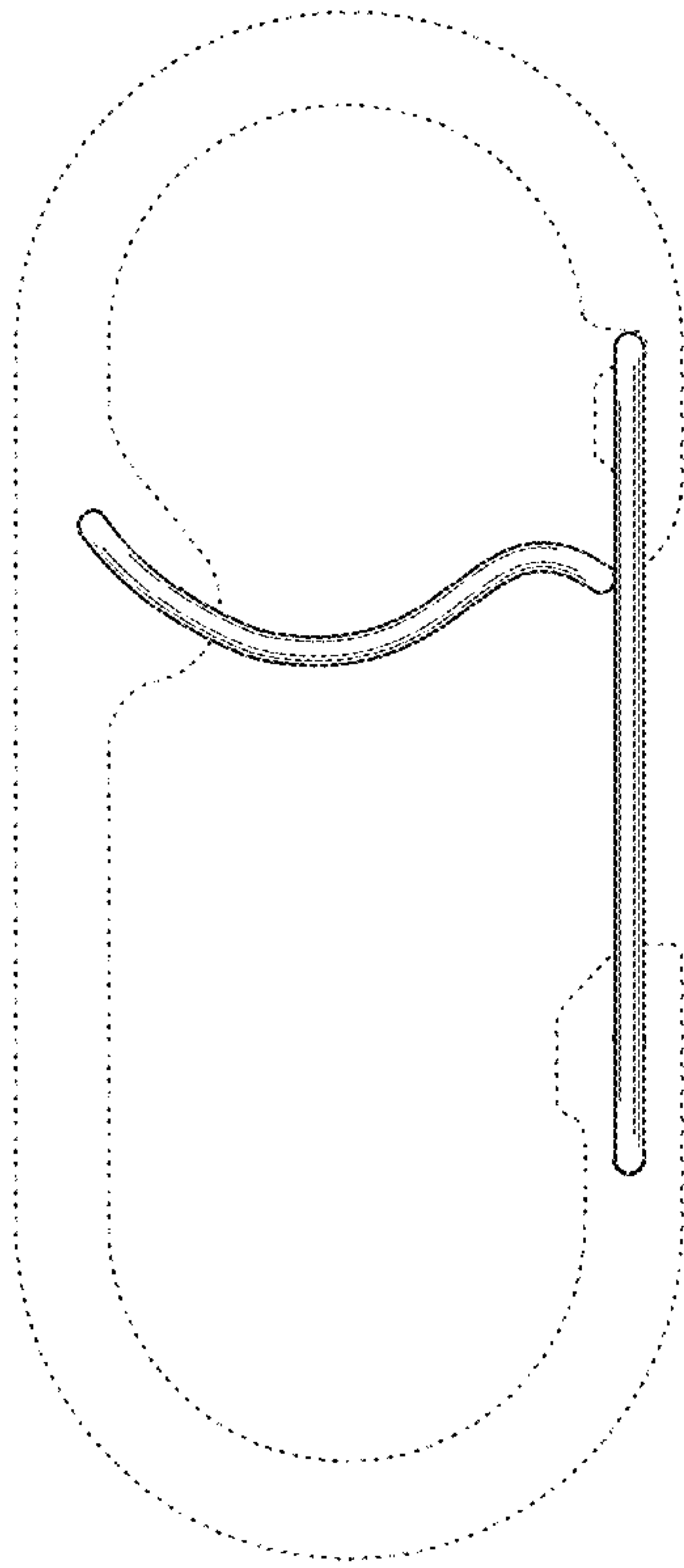


FIG. 16

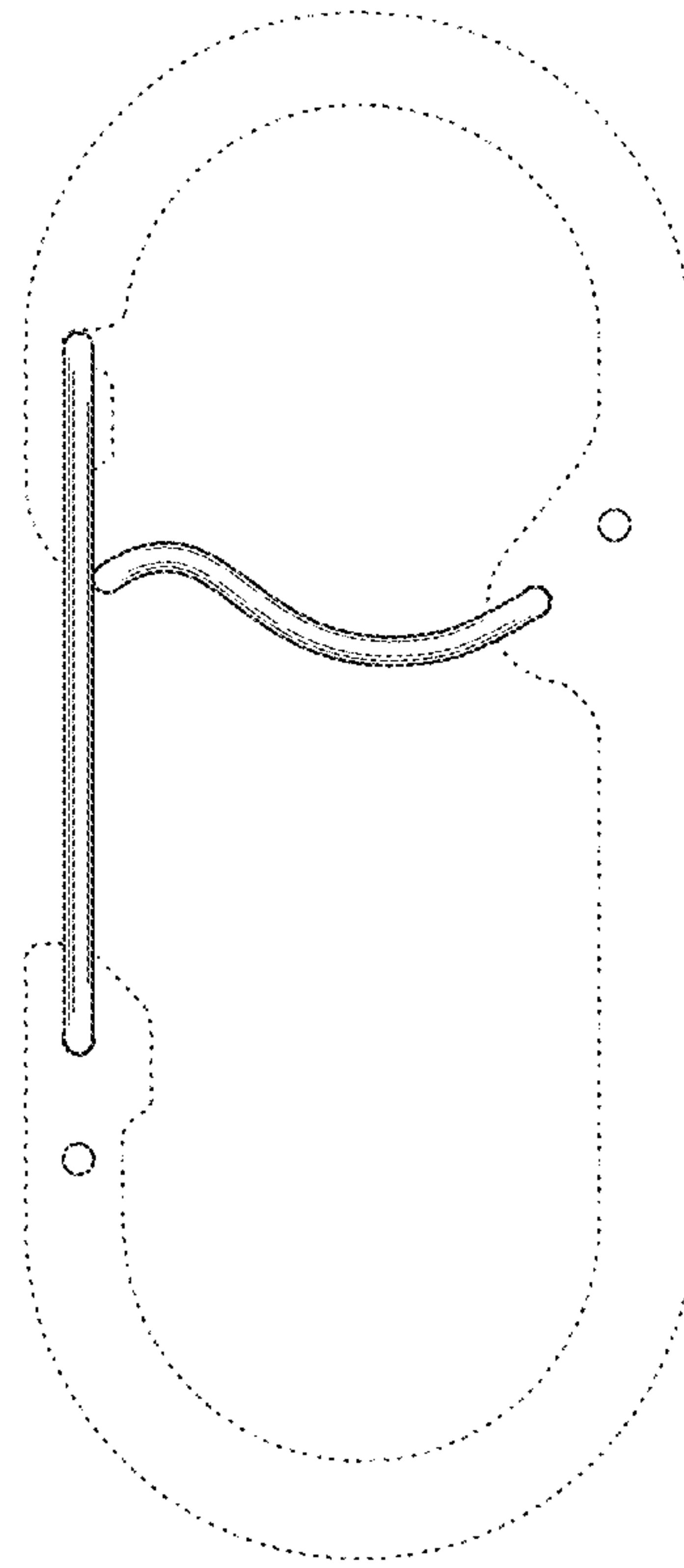


FIG. 17

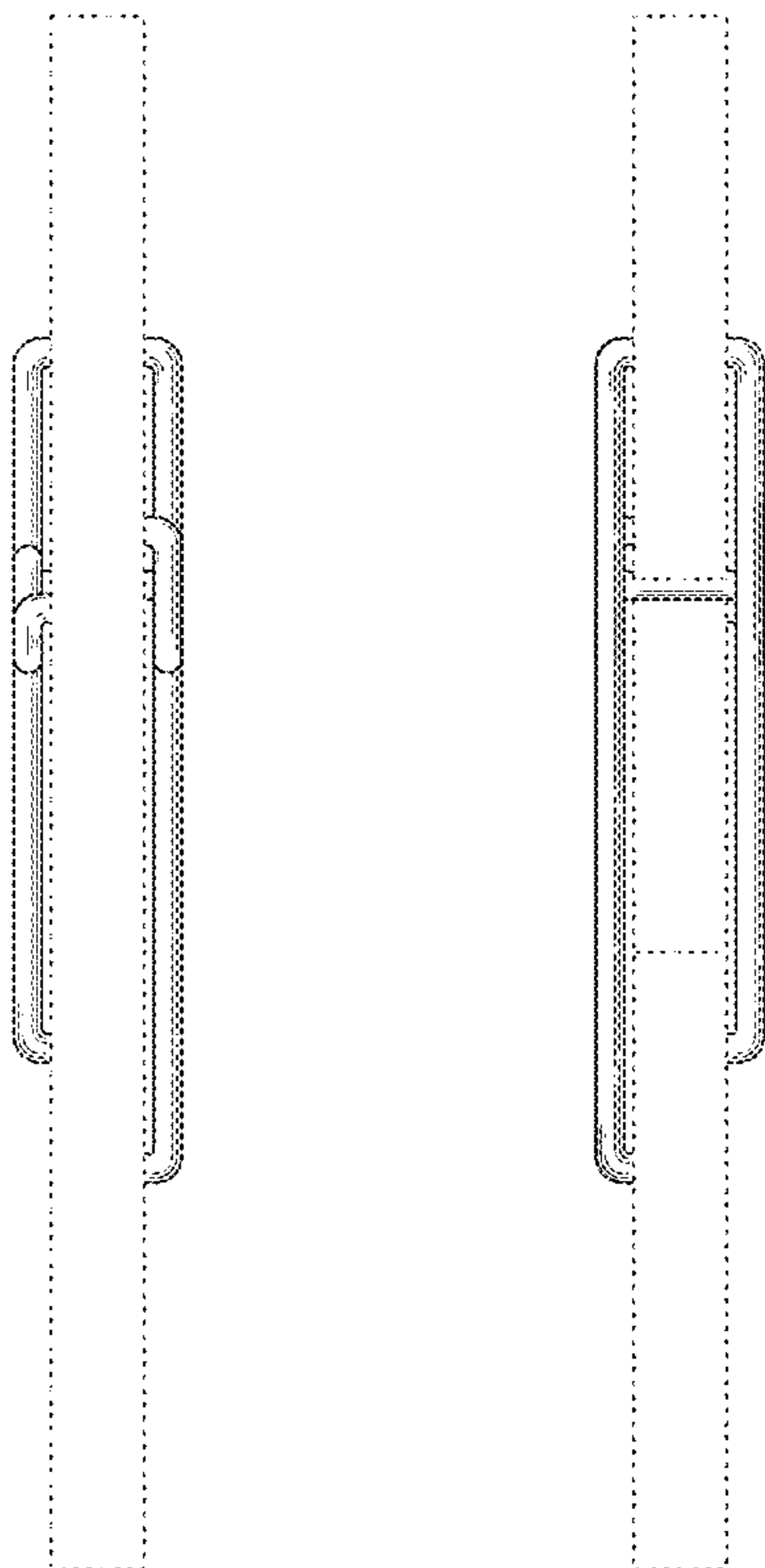


FIG. 20

FIG. 21

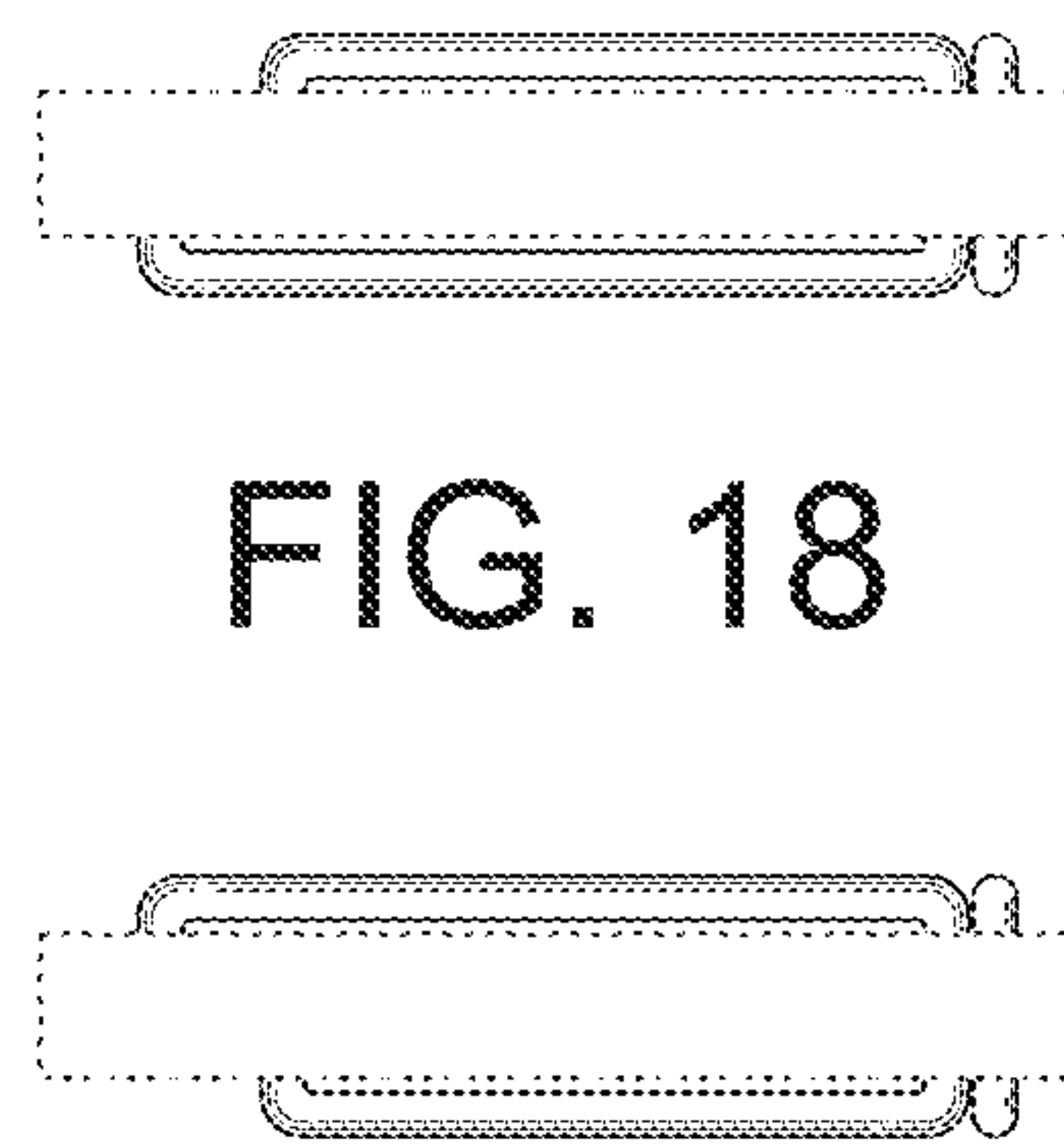


FIG. 18

FIG. 19

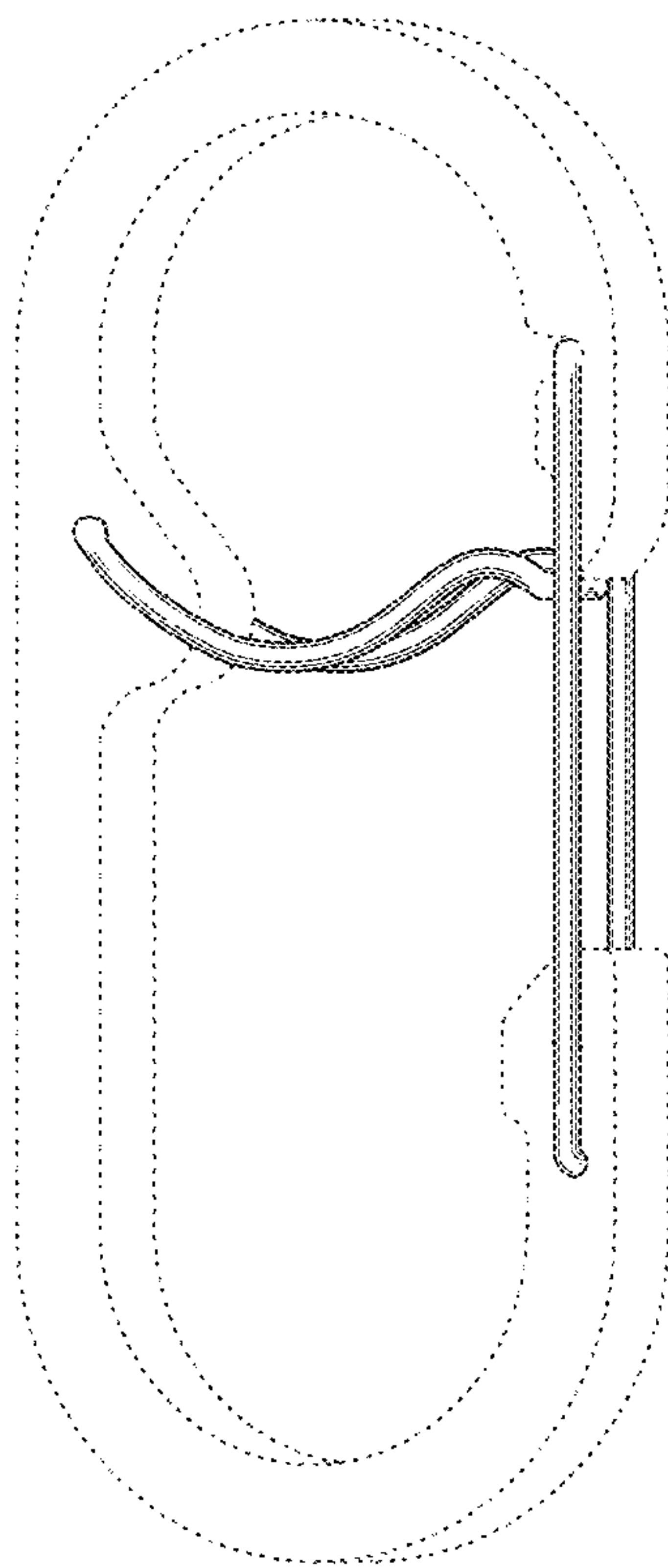


FIG. 22

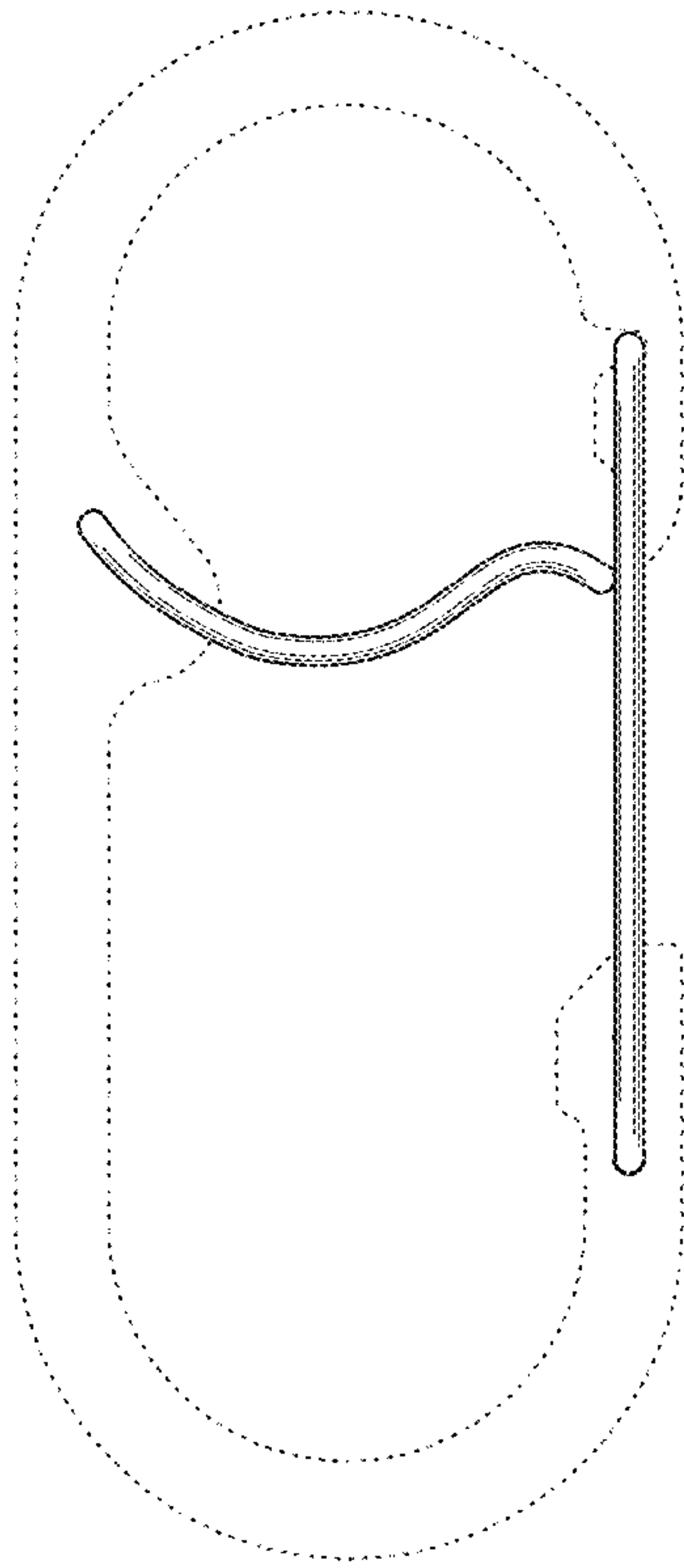


FIG. 23

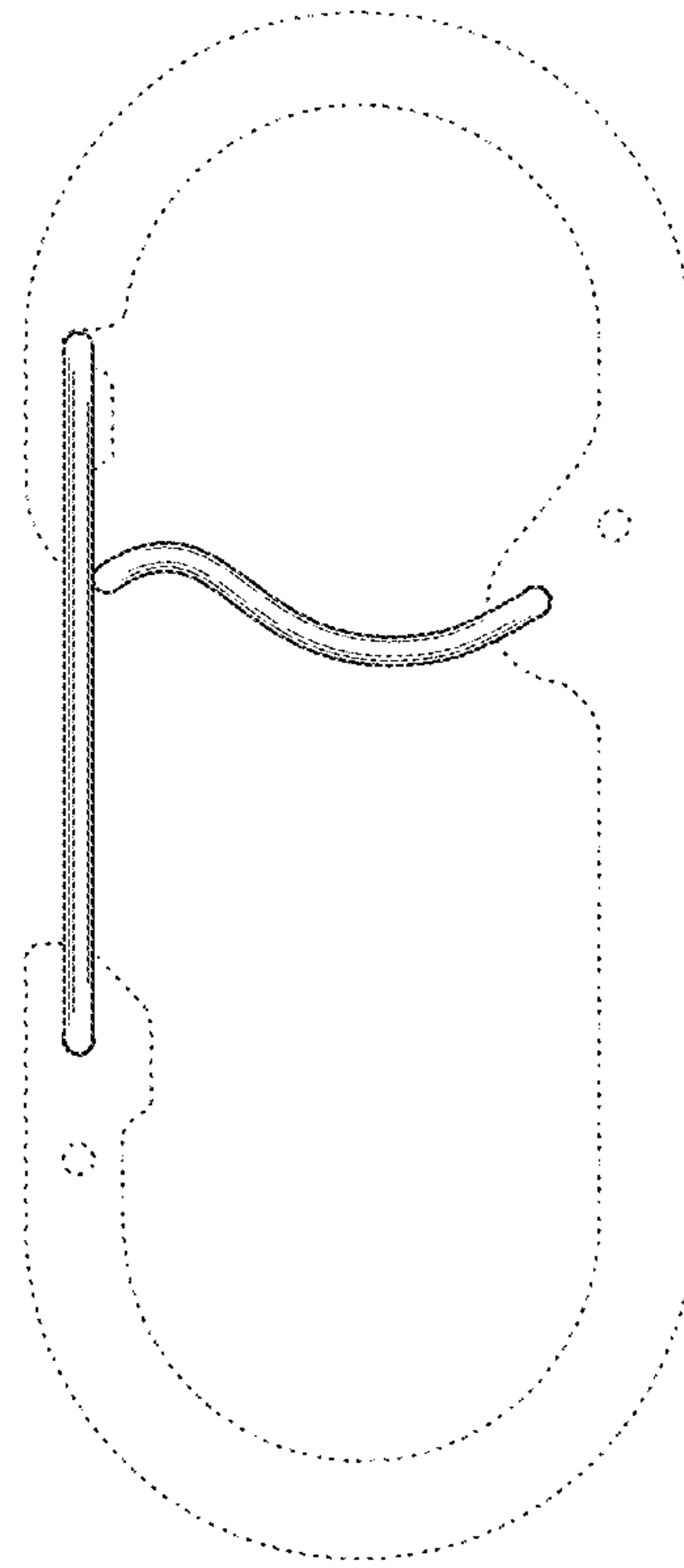


FIG. 24

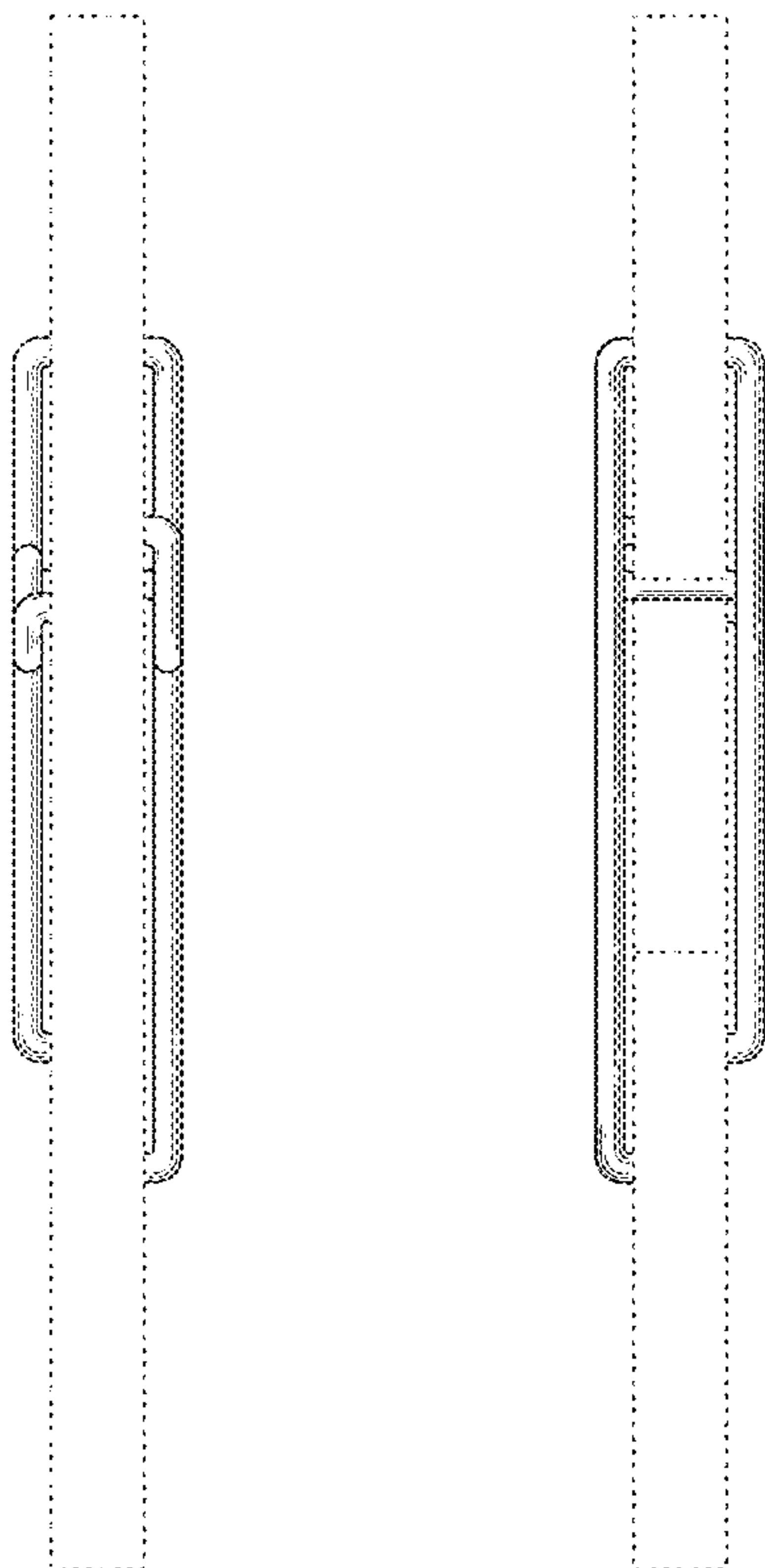


FIG. 27

FIG. 28

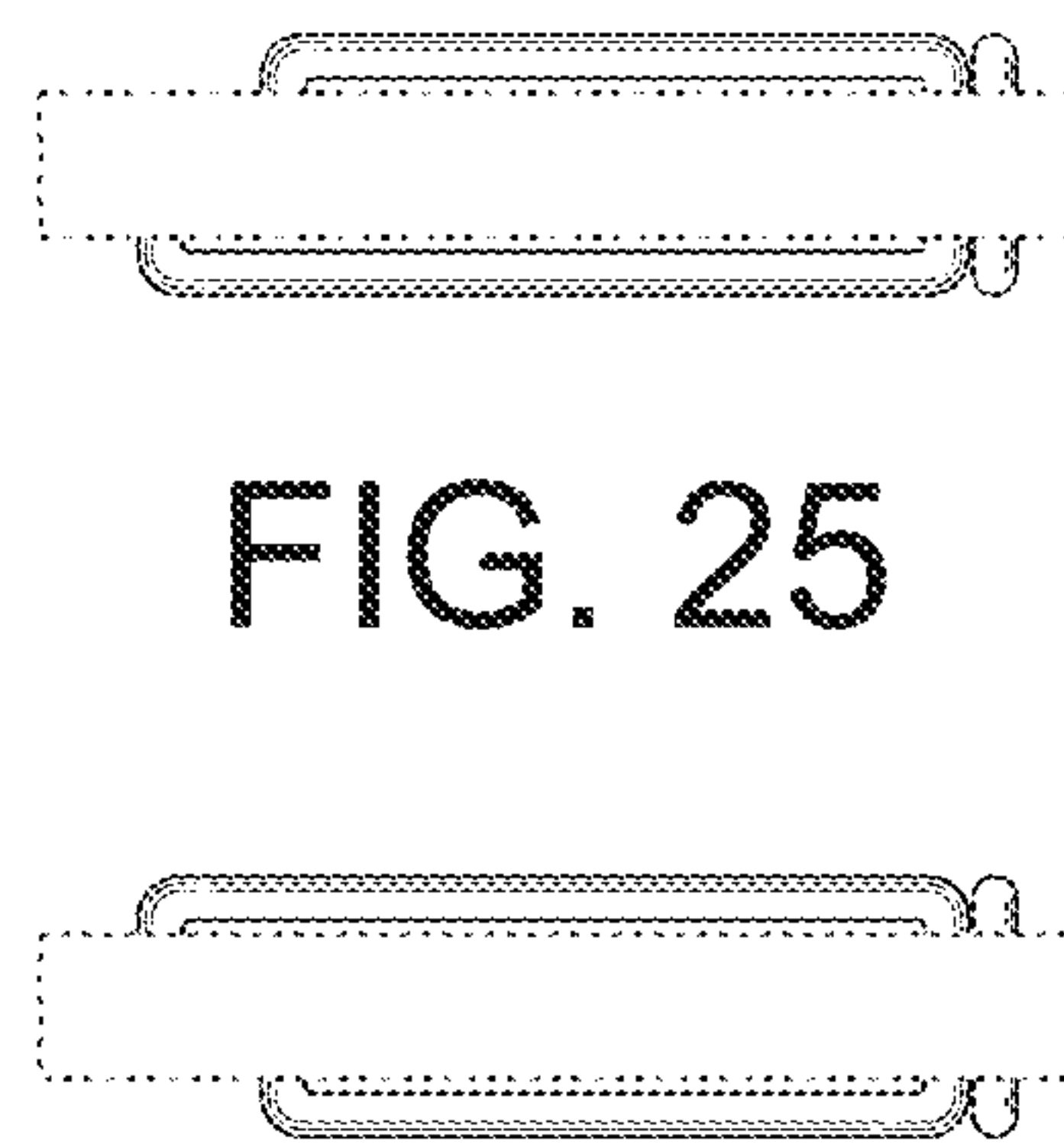


FIG. 25

FIG. 26

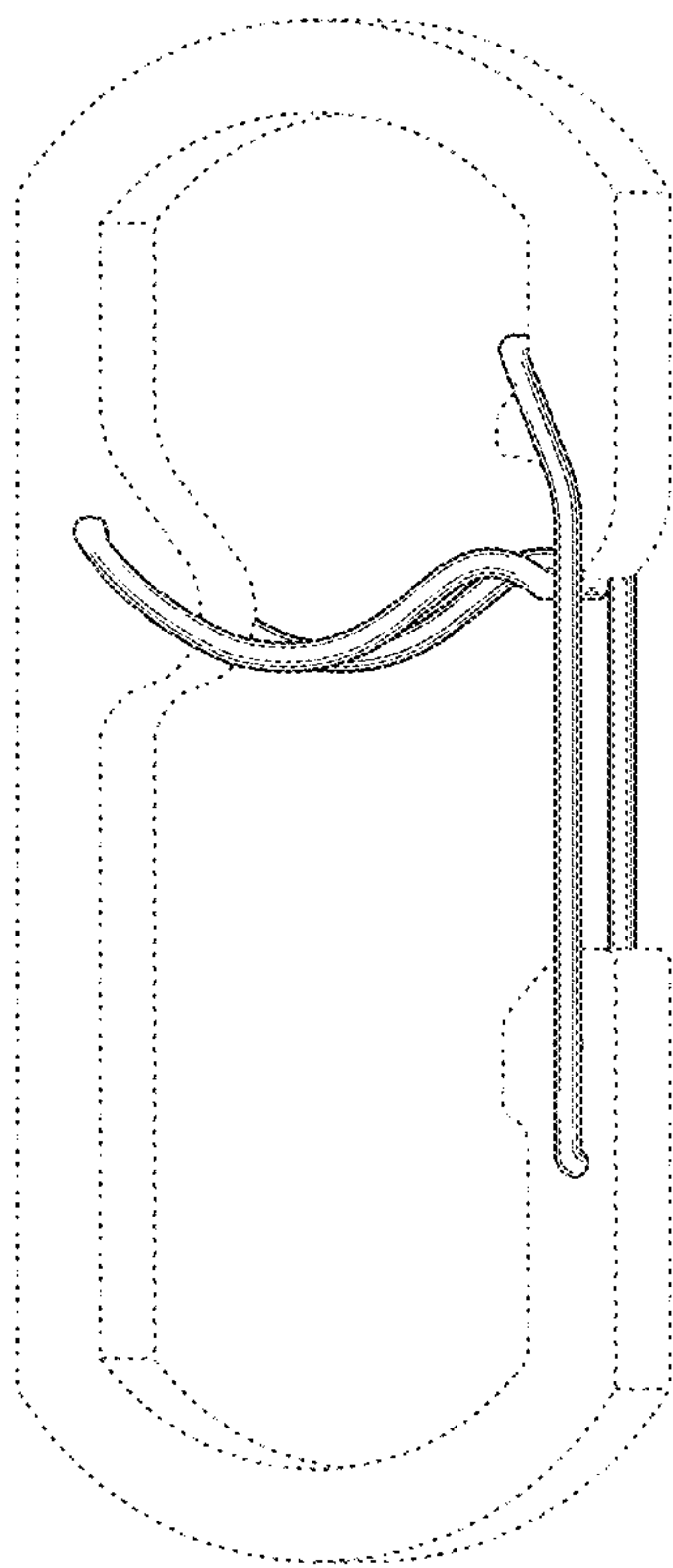


FIG. 29

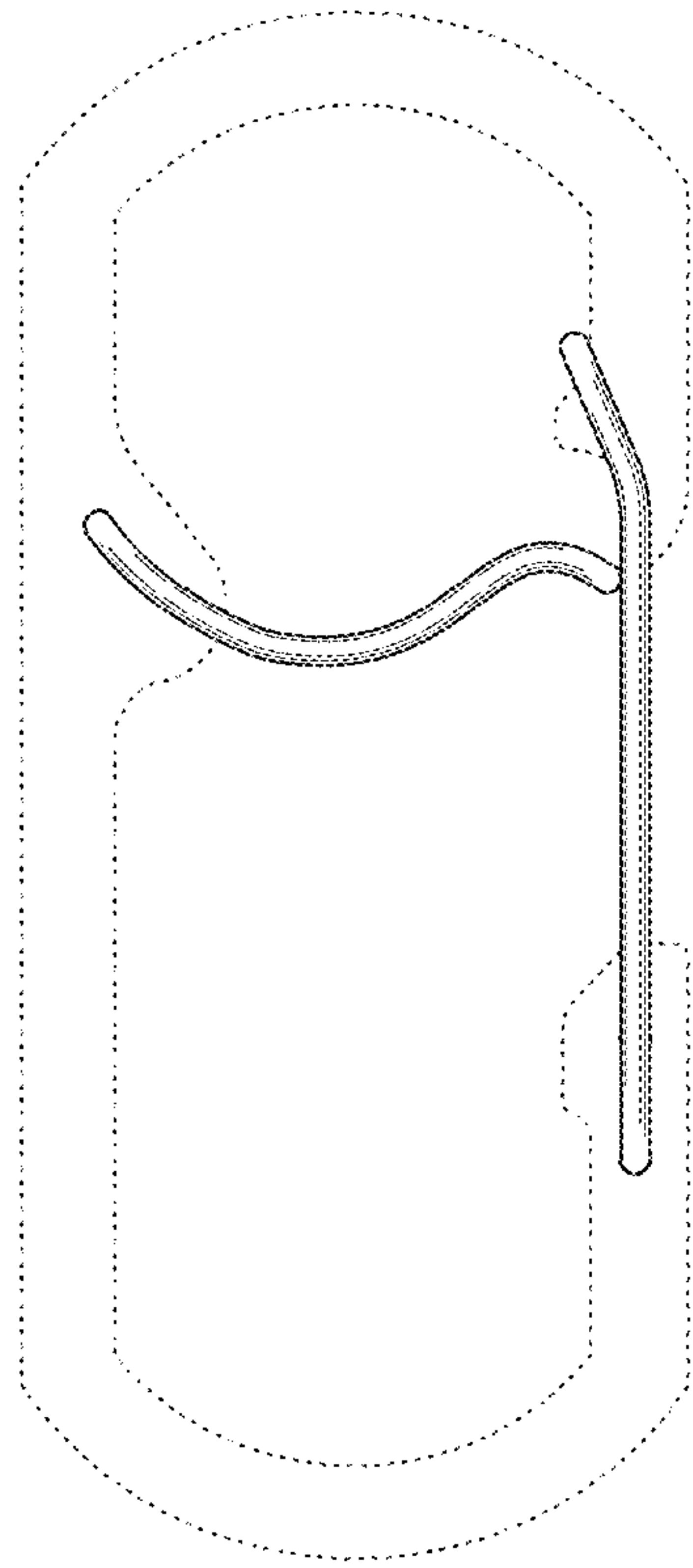


FIG. 30

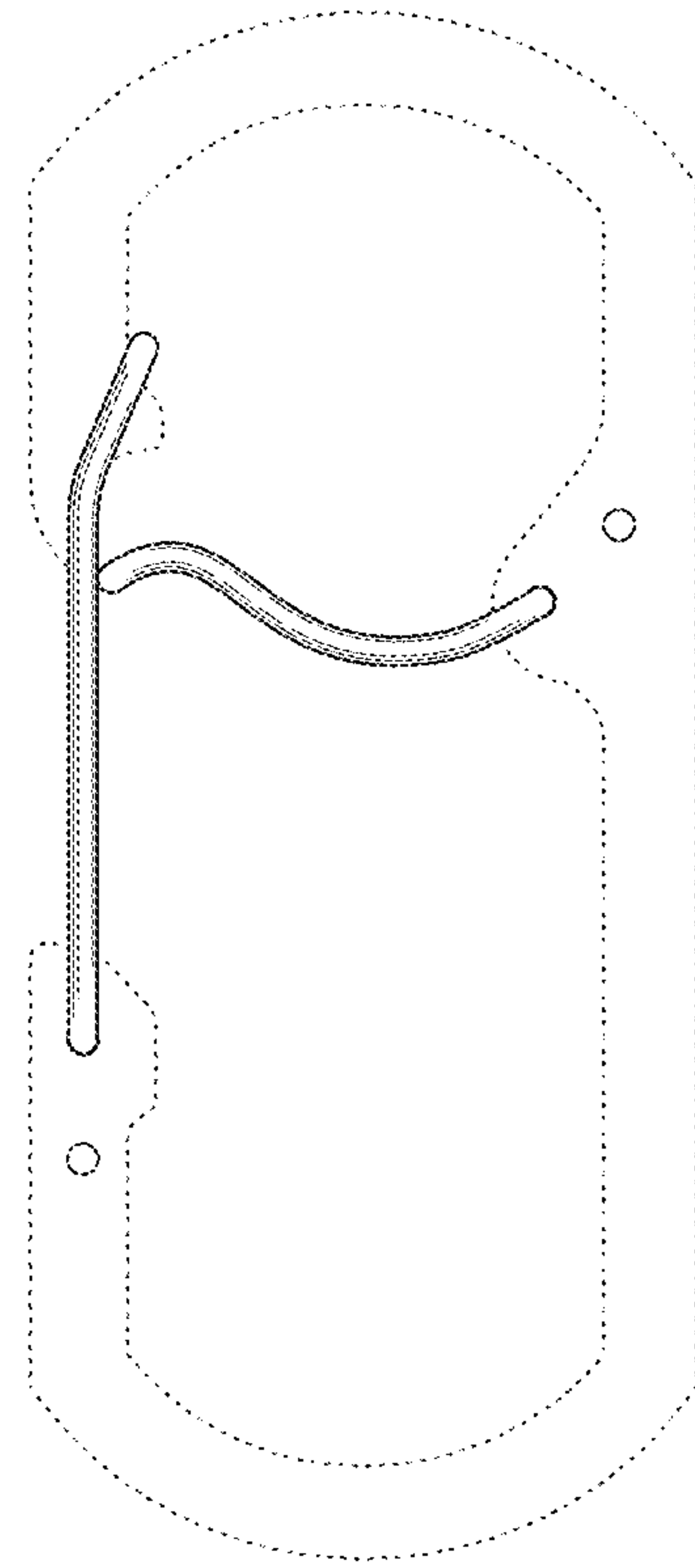


FIG. 31

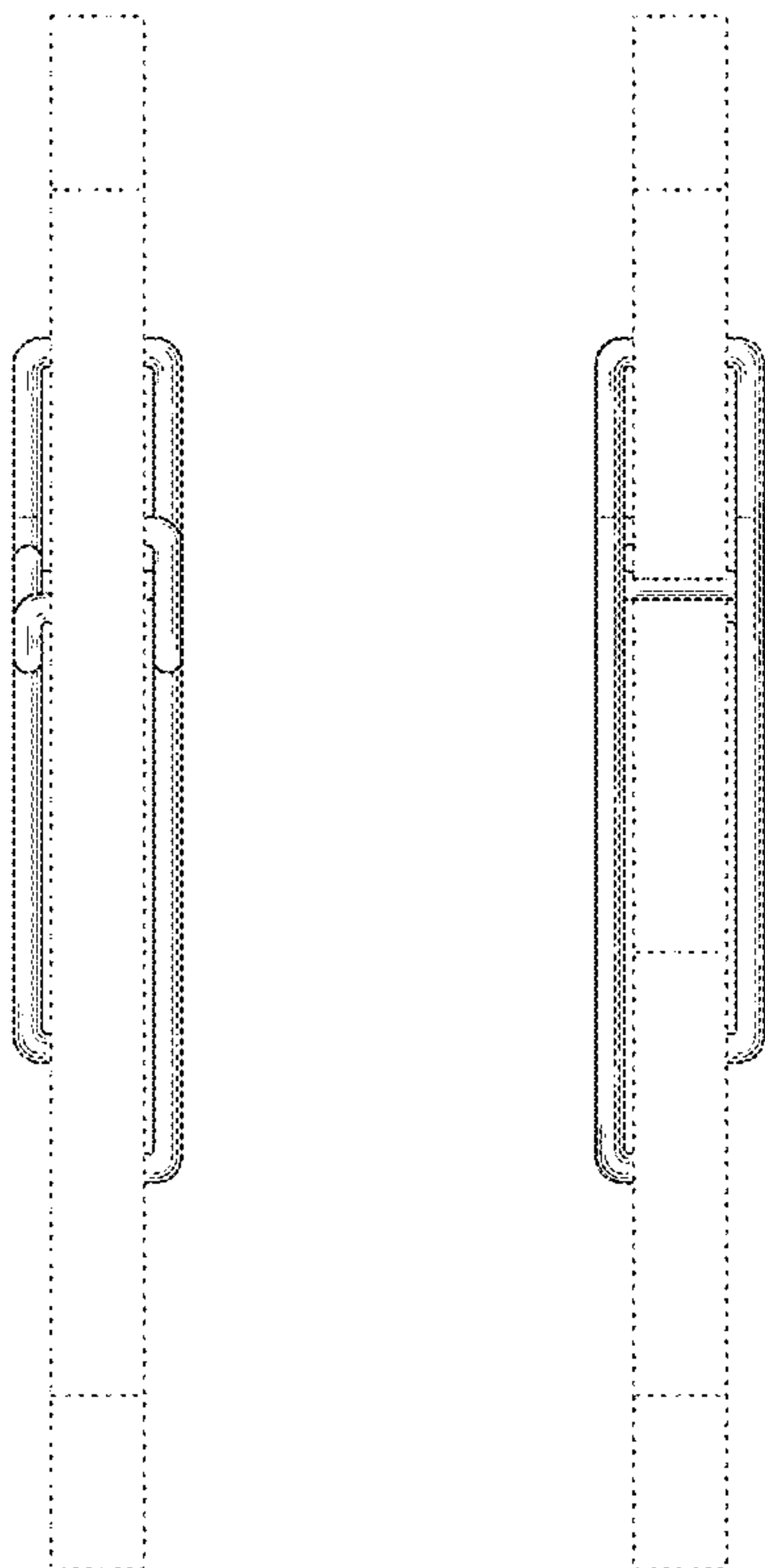


FIG. 34

FIG. 35

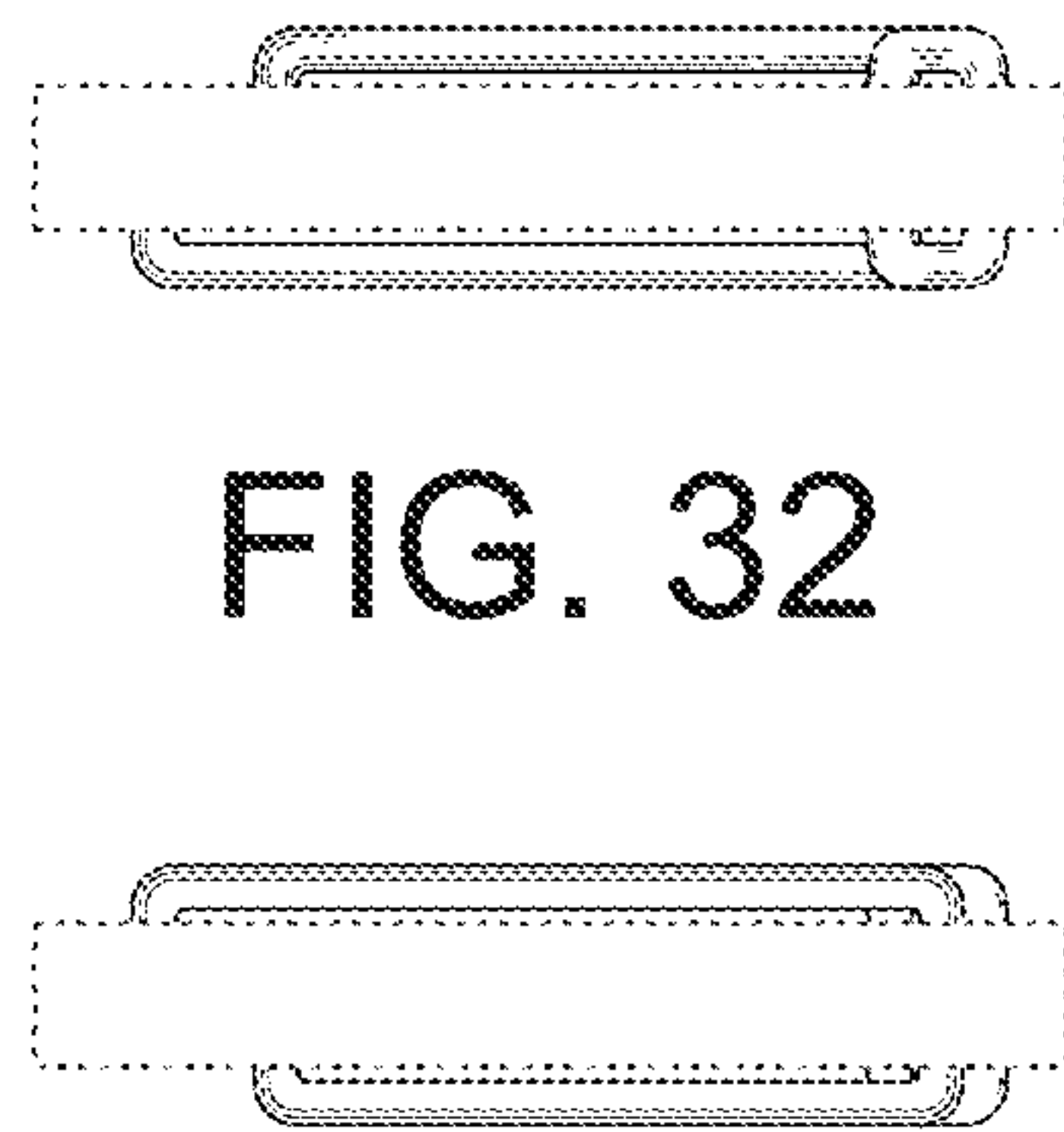


FIG. 32

FIG. 33

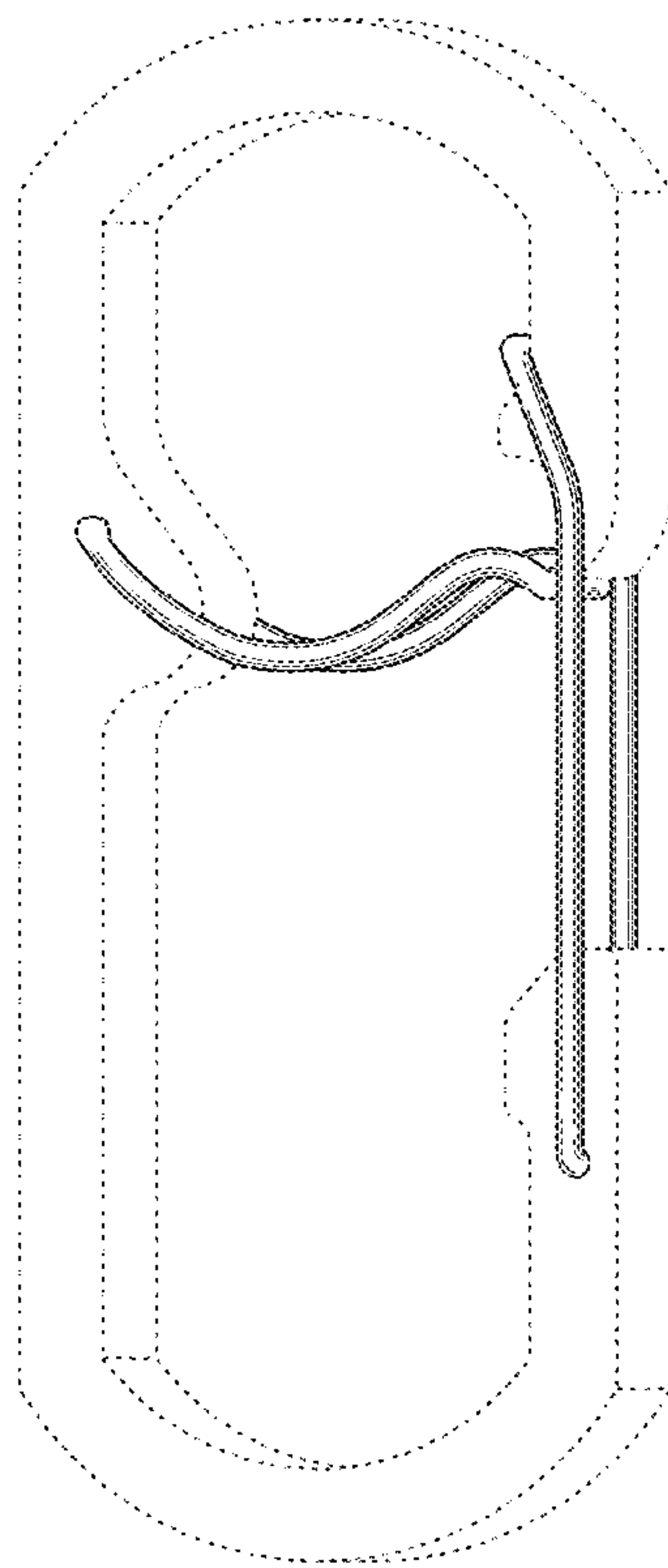


FIG. 36

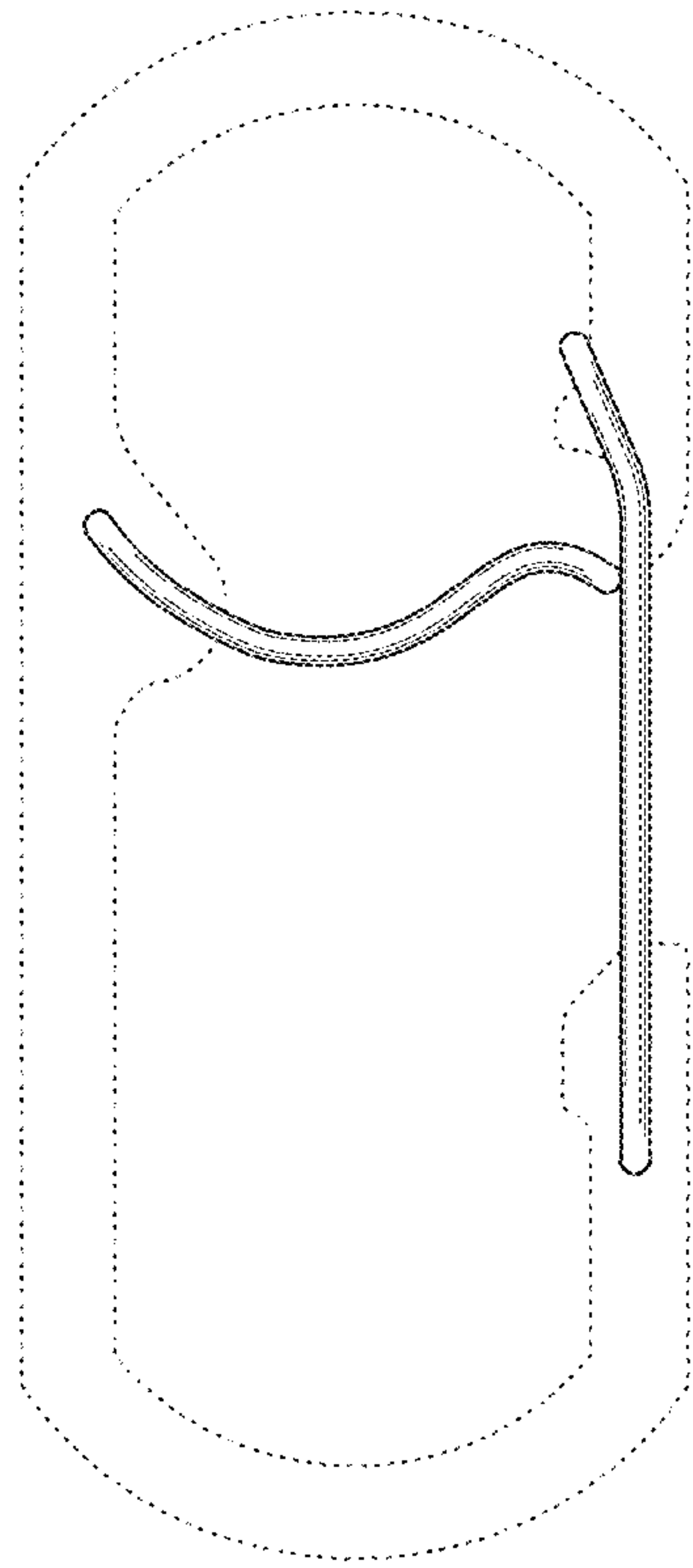


FIG. 37

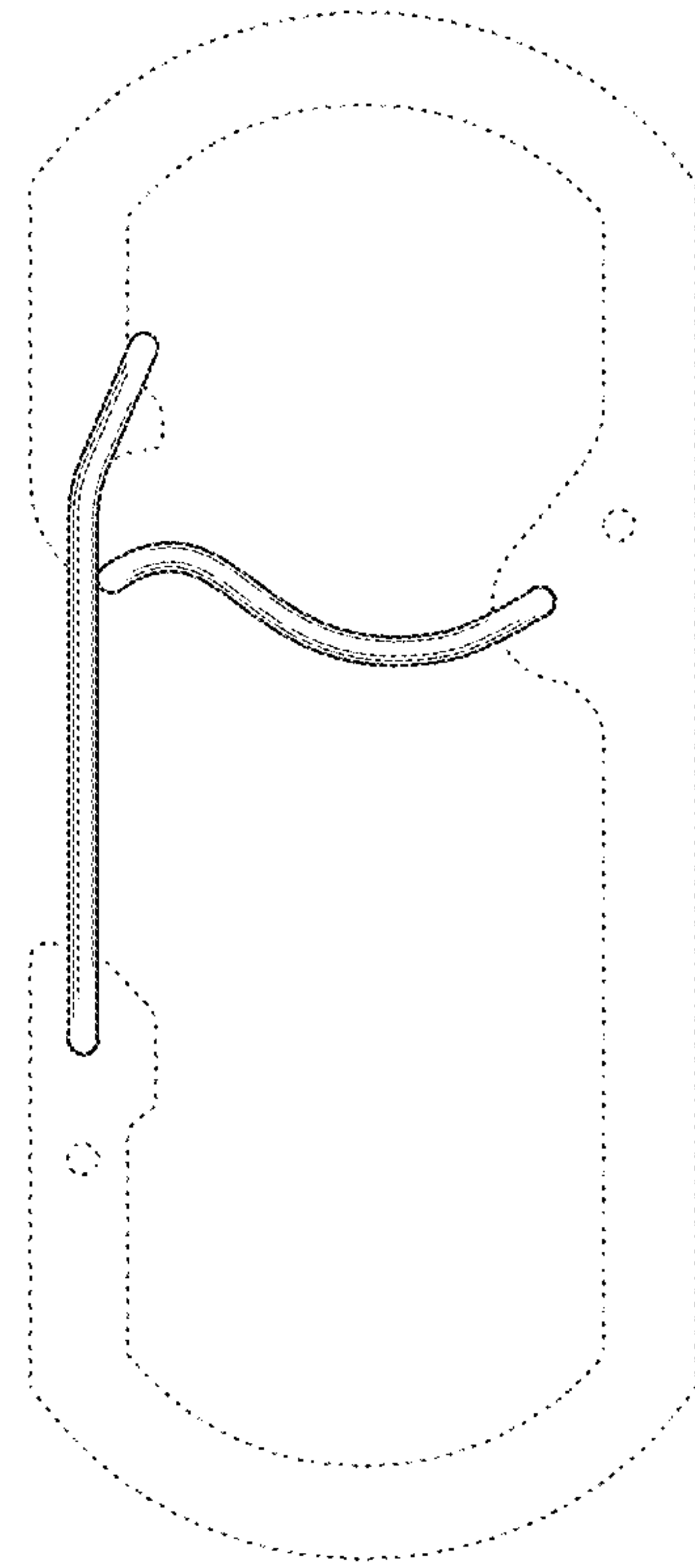


FIG. 38

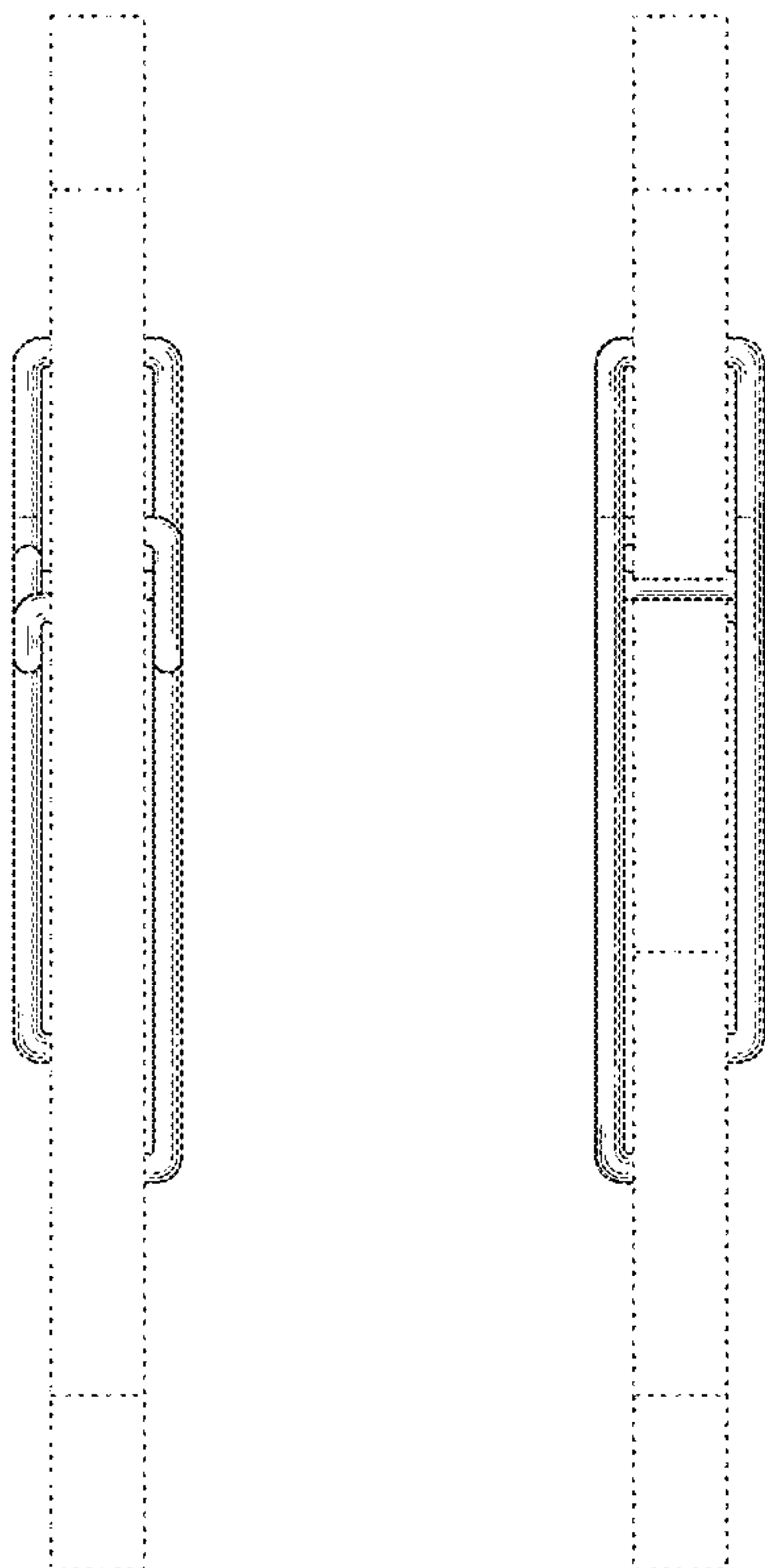


FIG. 41 FIG. 42

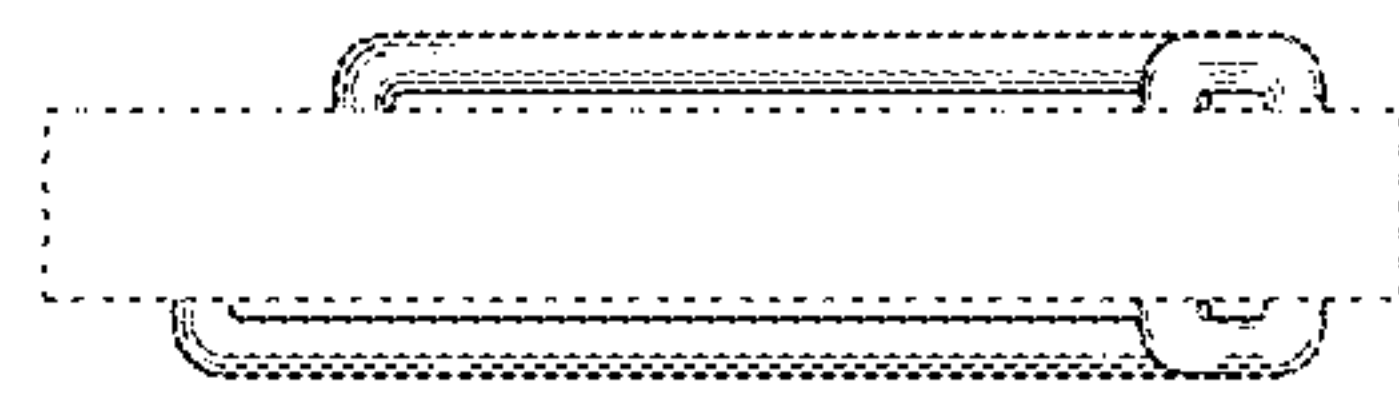


FIG. 39

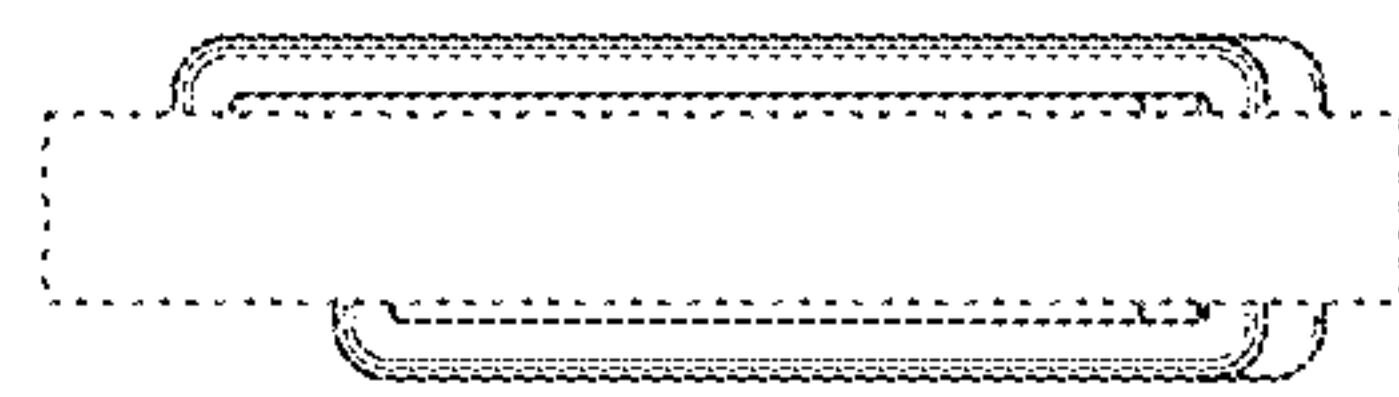


FIG. 40

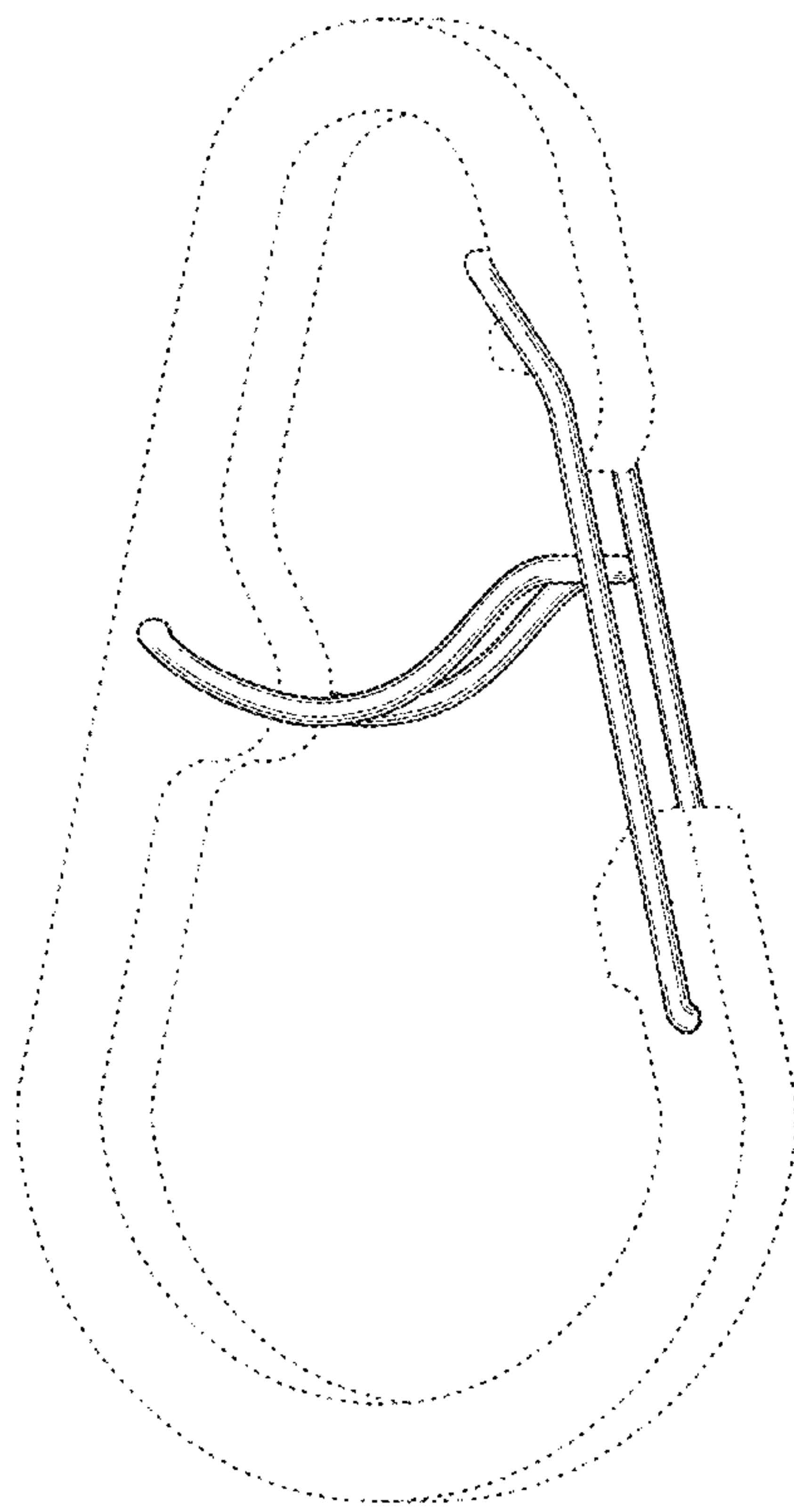


FIG. 43

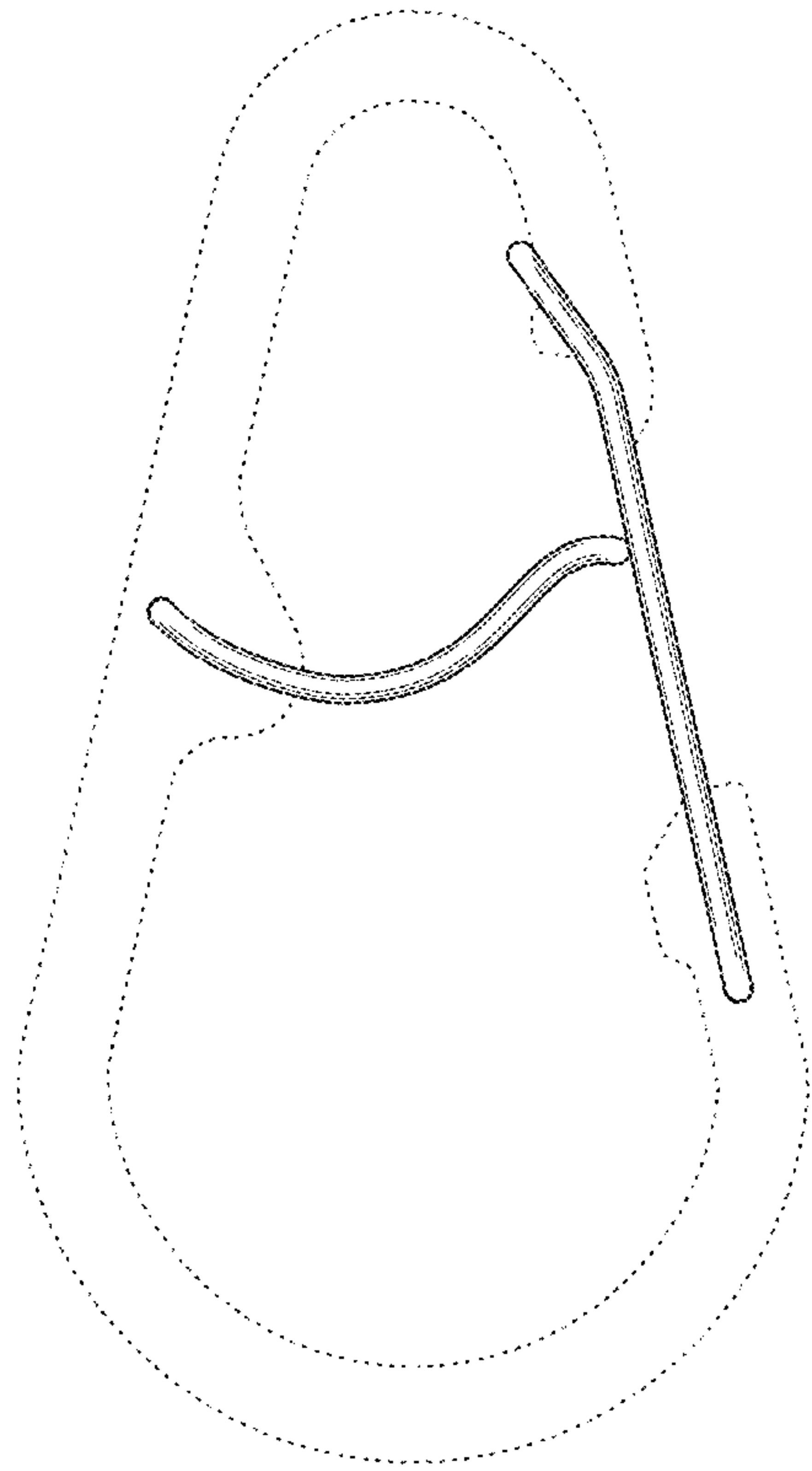


FIG. 44

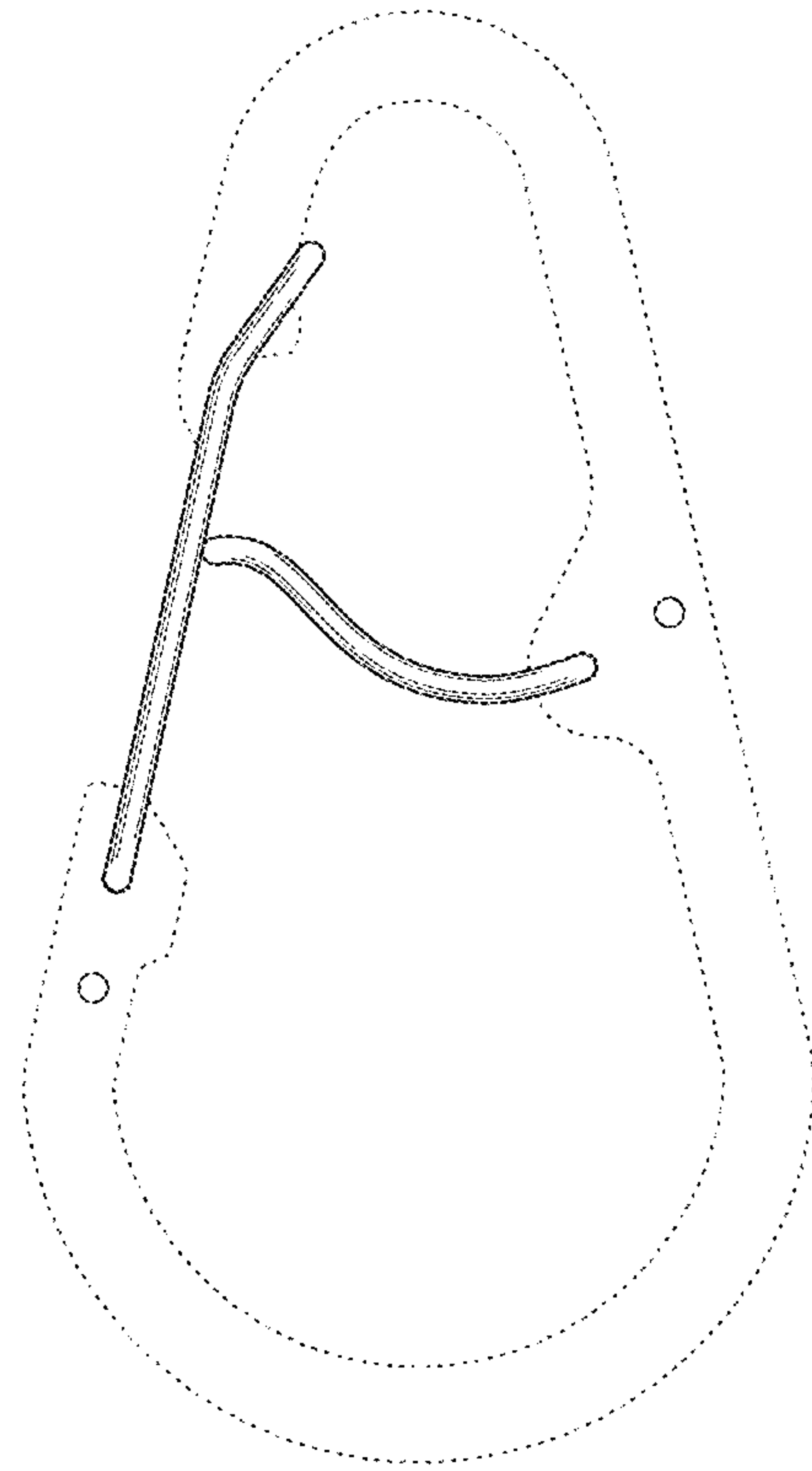


FIG. 45

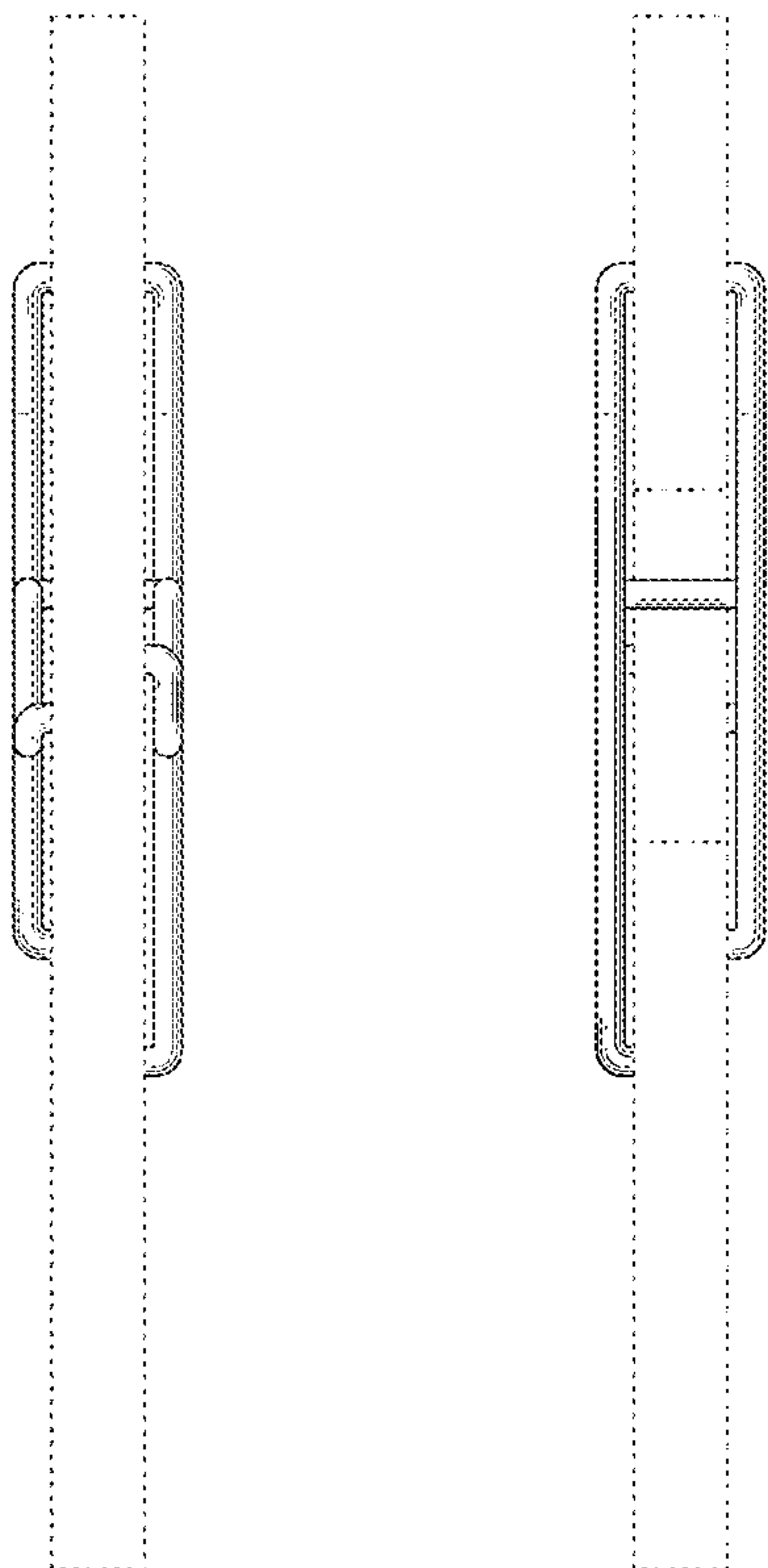


FIG. 48

FIG. 49

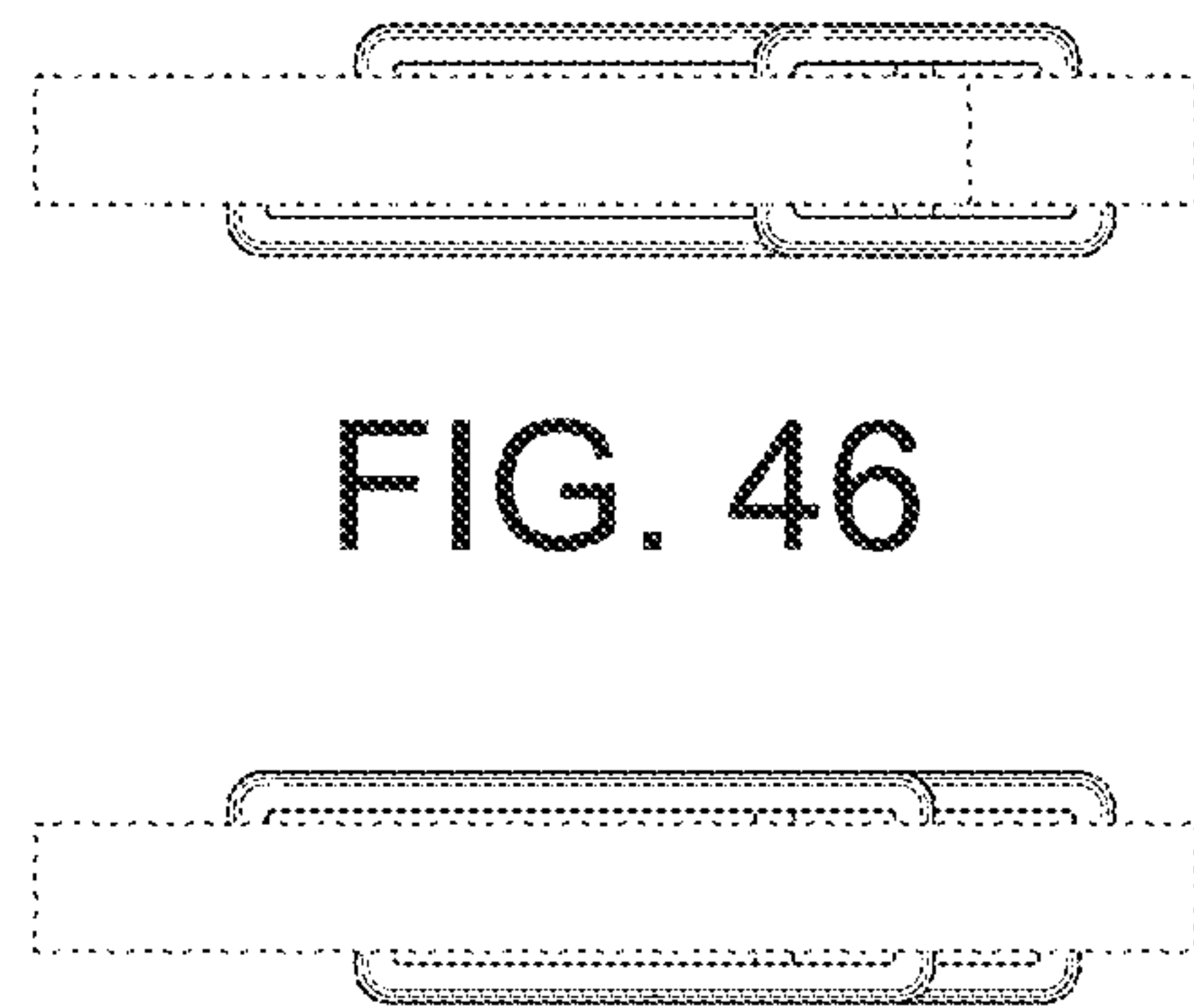


FIG. 46

FIG. 47

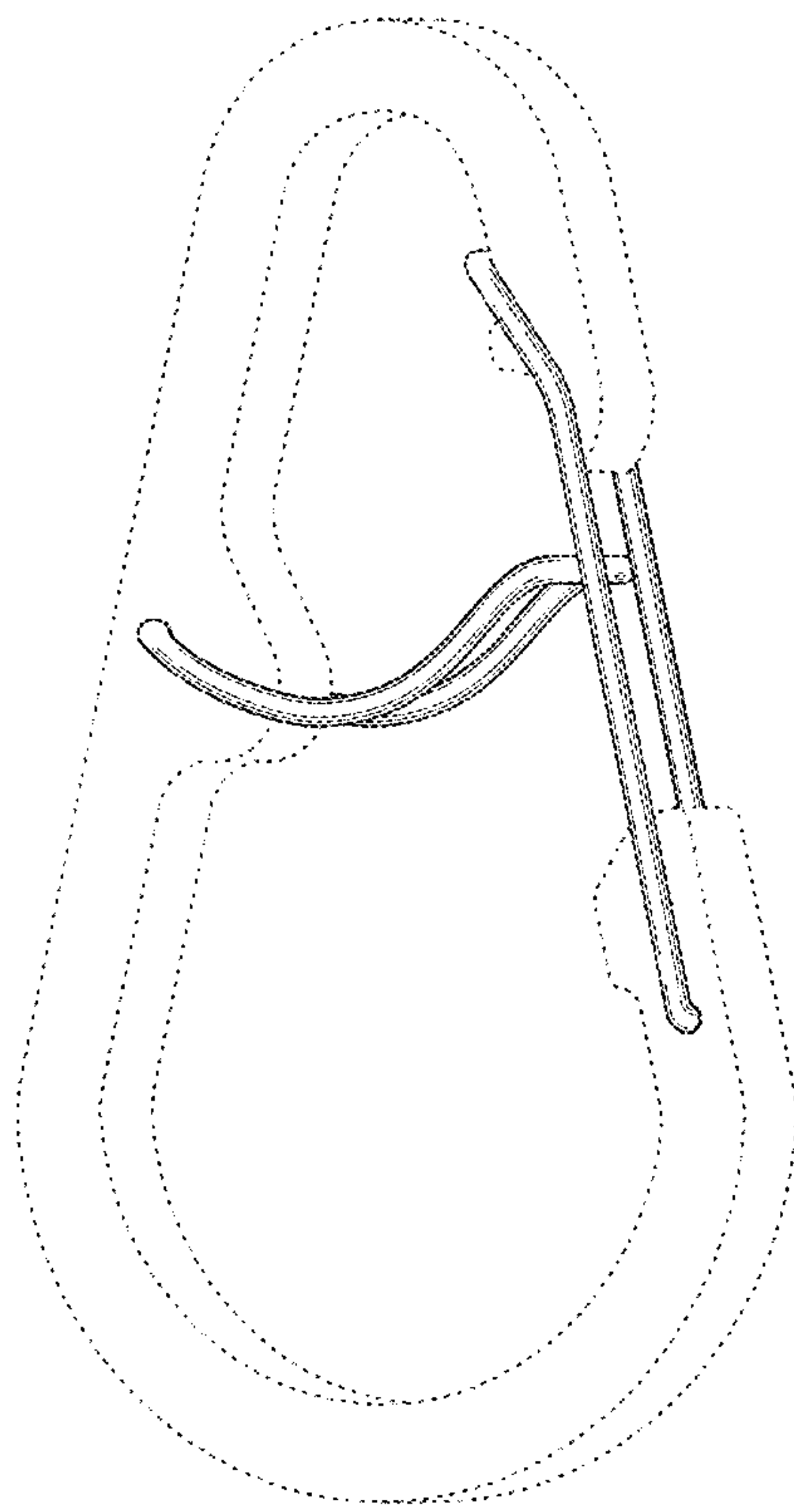


FIG. 50

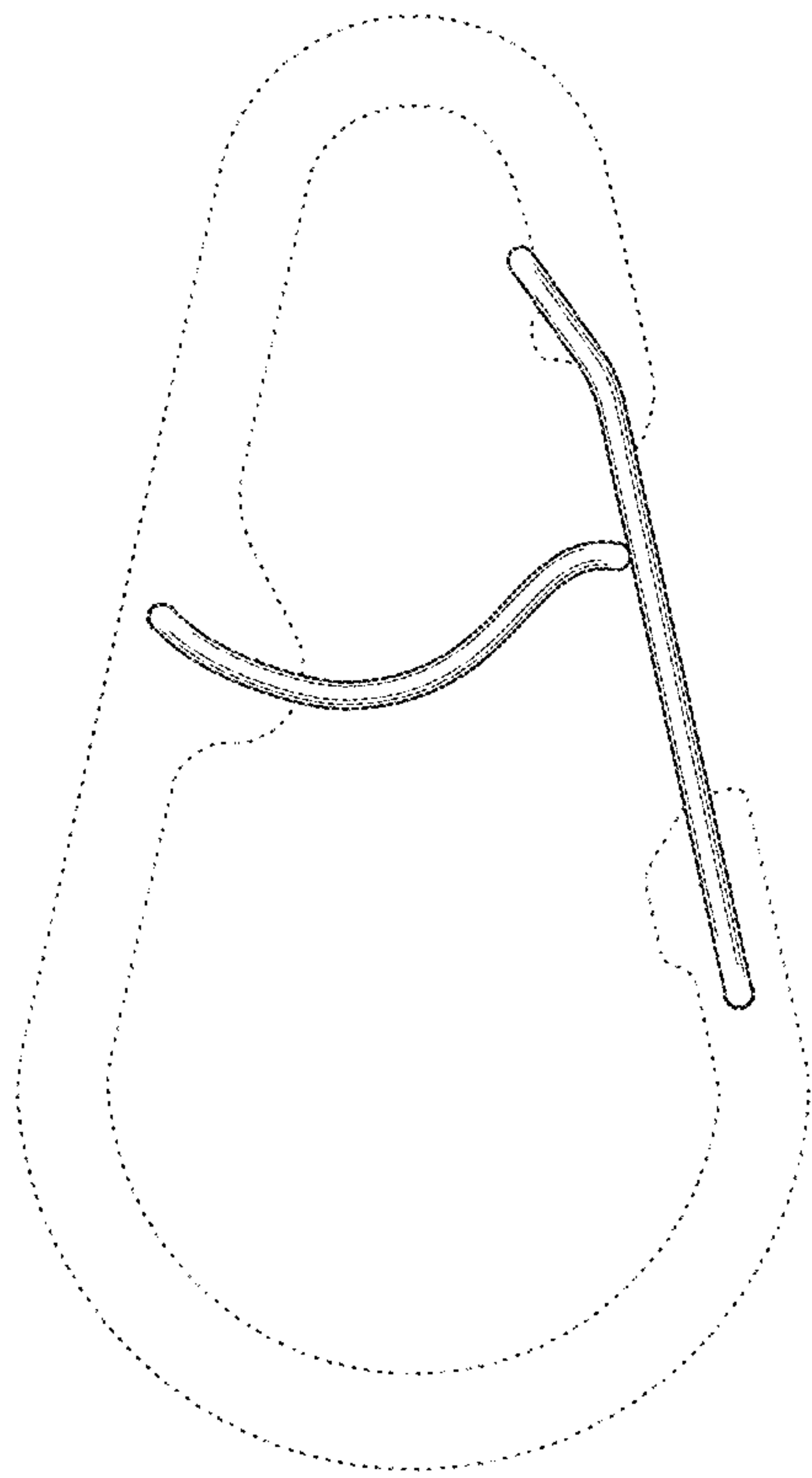


FIG. 51

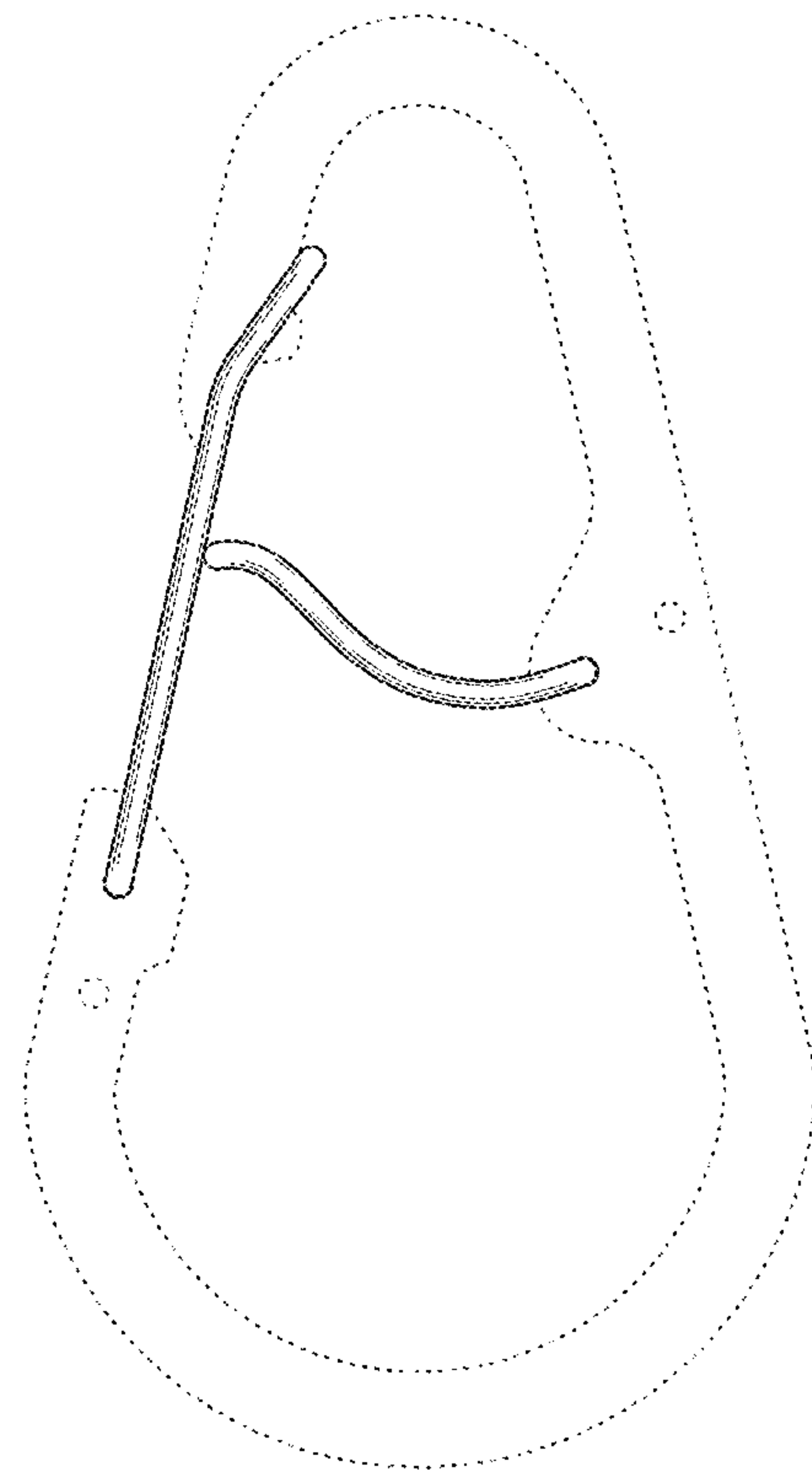


FIG. 52

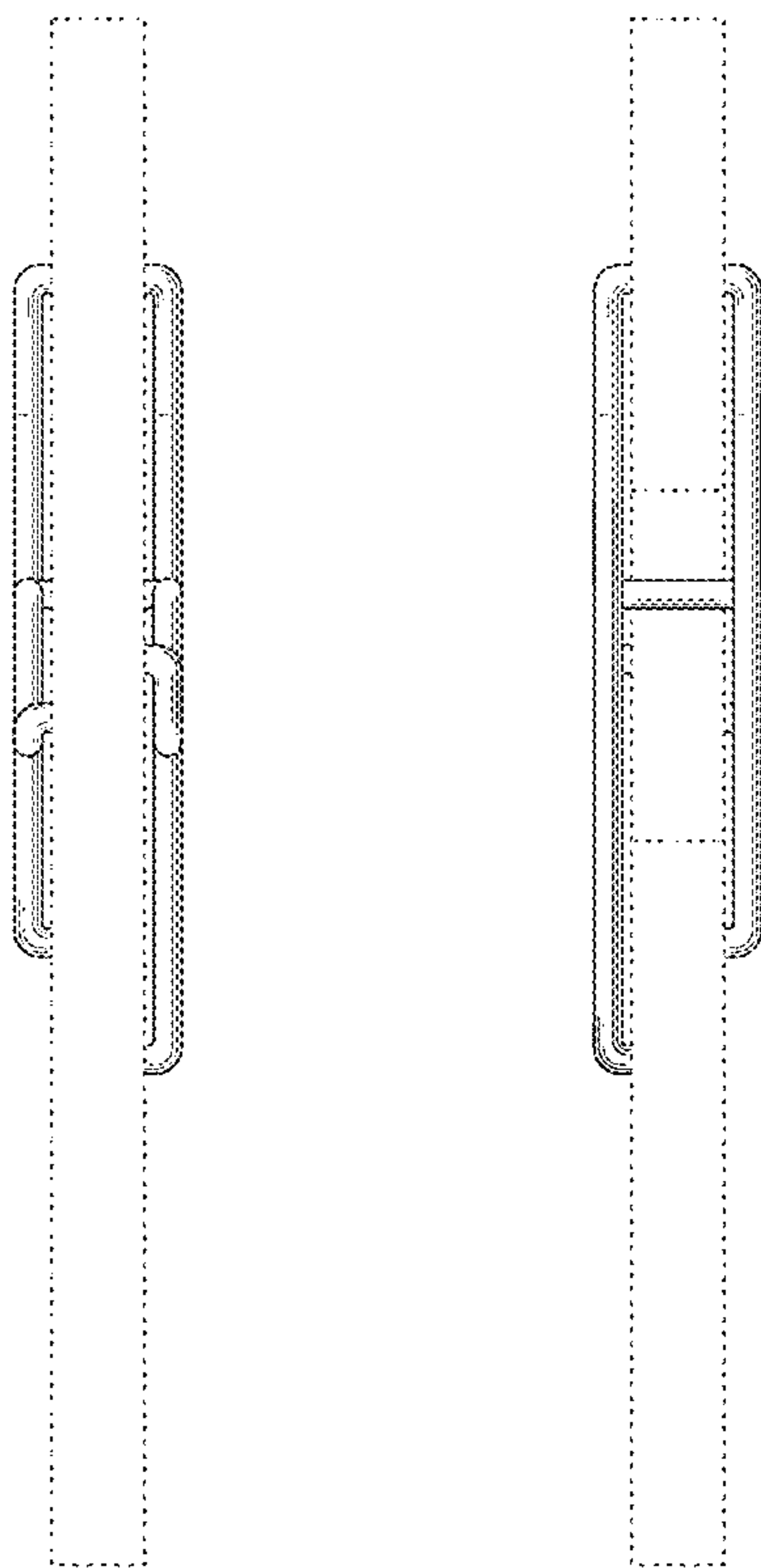


FIG. 55

FIG. 56

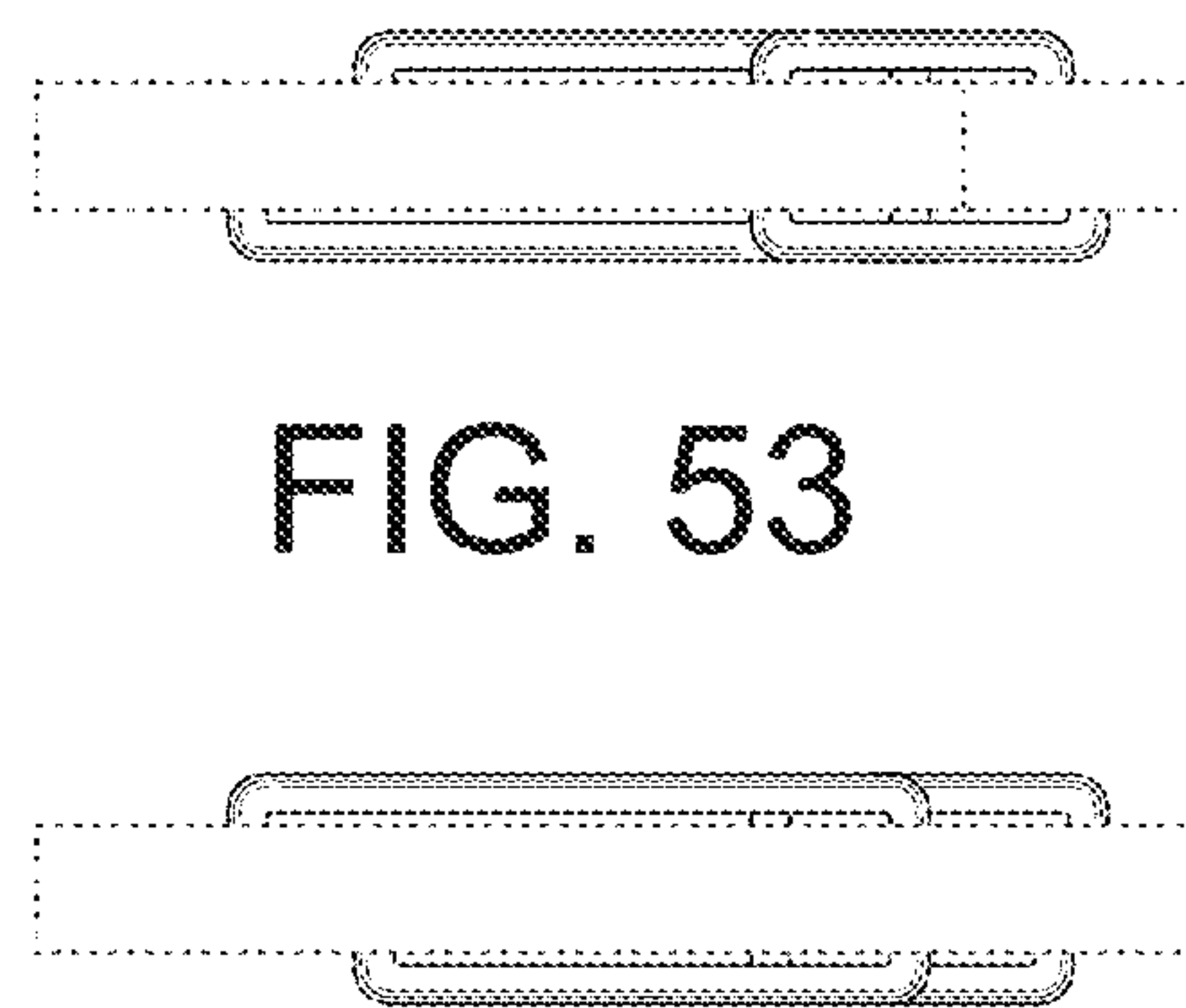


FIG. 53

FIG. 54