



US00D942836S

(12) **United States Design Patent**
Groleski

(10) **Patent No.:** **US D942,836 S**

(45) **Date of Patent:** **** Feb. 8, 2022**

- (54) **KNOB**
- (71) Applicant: **Schlage Lock Company LLC**, Carmel, IN (US)
- (72) Inventor: **Autumn A. Groleski**, Noblesville, IN (US)
- (73) Assignee: **Schlage Lock Company LLC**, Carmel, IN (US)
- (**) Term: **15 Years**
- (21) Appl. No.: **29/746,000**
- (22) Filed: **Aug. 11, 2020**
- (51) **LOC (13) Cl.** **08-06**
- (52) **U.S. Cl.**
USPC **D8/310**
- (58) **Field of Classification Search**
USPC D8/300, 307, 310; D7/393; D23/250, D23/252, 254
CPC ... Y10T 292/57; Y10T 16/469; Y10T 292/82; Y10T 74/2084; Y10T 292/85; Y10T 16/458; Y10T 16/506; Y10T 70/5155; Y10T 16/46; Y10T 16/4559; Y10T 74/20828; Y10T 70/8541; Y10T 74/20612; Y10T 16/459; Y10T 16/487; Y10T 70/5389; Y10T 16/462; Y10T 16/4636; E05B 1/0007; E05B 3/00; Y10S 16/30; Y10S 292/53; Y10S 292/27
See application file for complete search history.

- (56) **References Cited**
U.S. PATENT DOCUMENTS
373,632 A * 11/1887 Bardsley E05B 1/0007 292/347
1,536,684 A * 5/1925 Morgan C22C 38/08 420/73

- 1,803,375 A * 5/1931 Adams E05B 1/0007 292/347
- 1,988,130 A * 1/1935 Martinek E05B 3/02 292/352
- D176,713 S * 1/1956 Ellis D8/310
- 7,108,387 B1 * 9/2006 Lucas E05B 1/0007 200/61.62
- D592,483 S * 5/2009 Ricereto E05C 1/12 D8/307
- D592,484 S * 5/2009 Ricereto D8/307
- D713,236 S * 9/2014 Park E05B 1/04 D8/310
- D736,589 S * 8/2015 Watson E05B 3/02 D8/310
- D787,297 S * 5/2017 Zimmer E05B 1/0007 D8/310
- D797,542 S * 9/2017 Block E05B 3/065 D8/310
- 2013/0185897 A1 * 7/2013 Bracey E05B 1/04 16/110.1

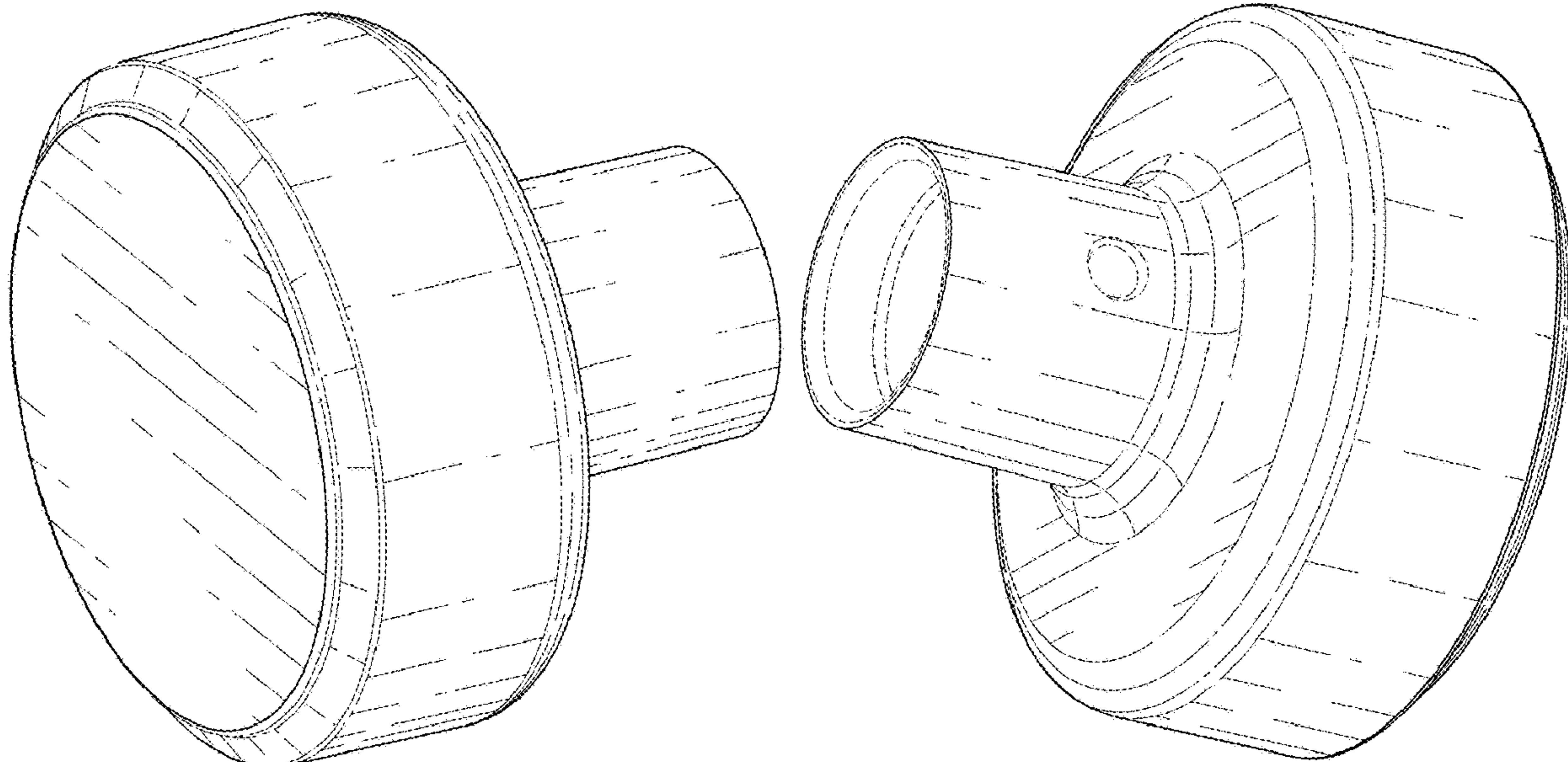
(Continued)

Primary Examiner — Lauren R Calve
(74) *Attorney, Agent, or Firm* — Taft Stettinius & Hollister LLP

(57) **CLAIM**
The ornamental design for a knob, as shown and described.

DESCRIPTION
FIG. 1 is a front, top, right side perspective view of a knob showing my new design;
FIG. 2 is a rear, bottom, left side perspective view thereof;
FIG. 3 is a front elevational view thereof;
FIG. 4 is a top plan view thereof;
FIG. 5 is a bottom plan view thereof;
FIG. 6 is a right side elevational view thereof; and,
FIG. 7 is a left side elevational view thereof.
The broken lines in the drawing figures form no part of the claimed design.

1 Claim, 2 Drawing Sheets



(56)

References Cited

U.S. PATENT DOCUMENTS

2015/0015003 A1* 1/2015 Tsai E05B 3/065
292/336.3
2017/0350160 A1* 12/2017 Block E05B 17/226
2021/0207397 A1* 7/2021 Chen E05C 1/12

* cited by examiner

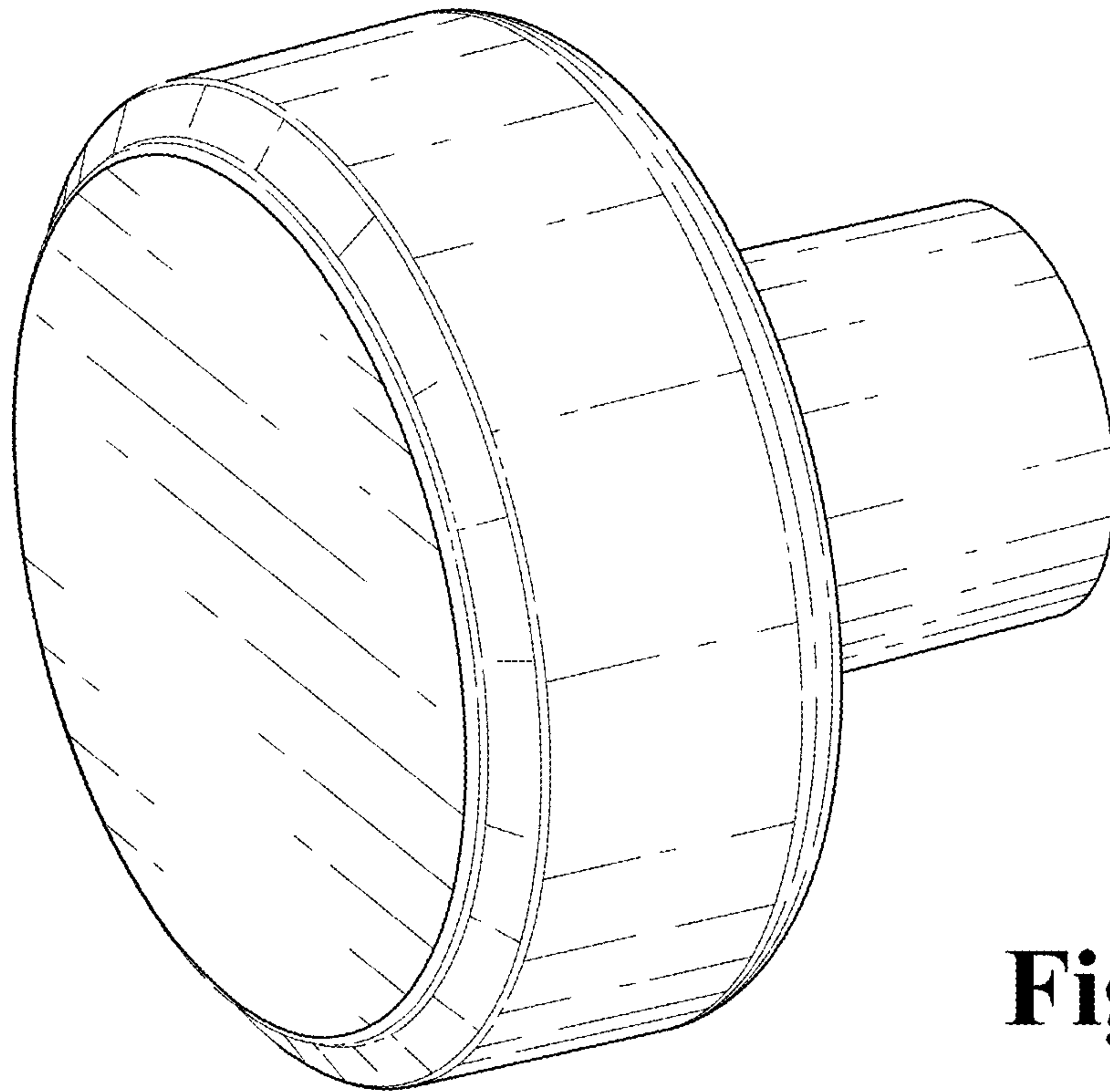


Fig. 1

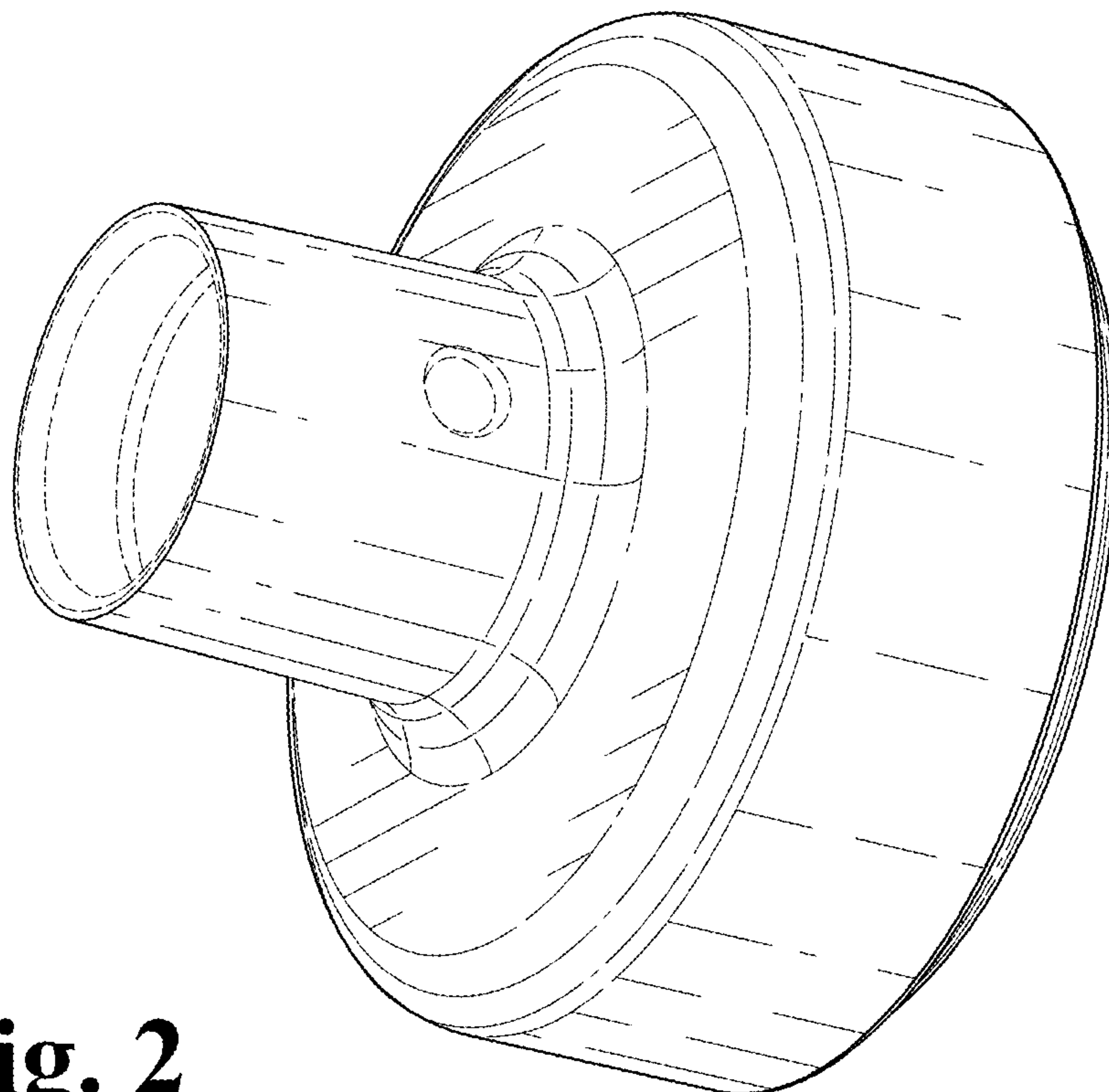


Fig. 2

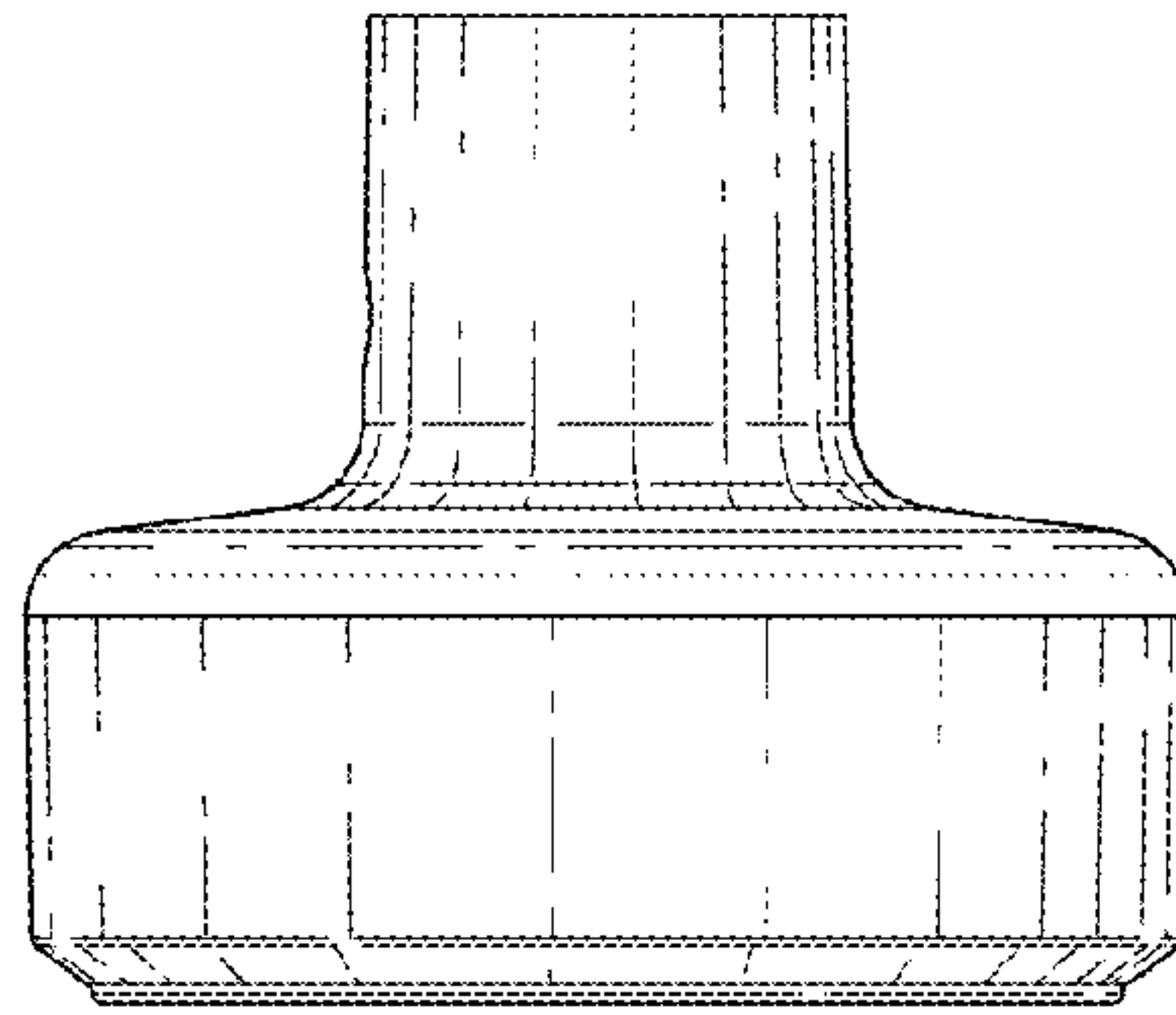


Fig. 4

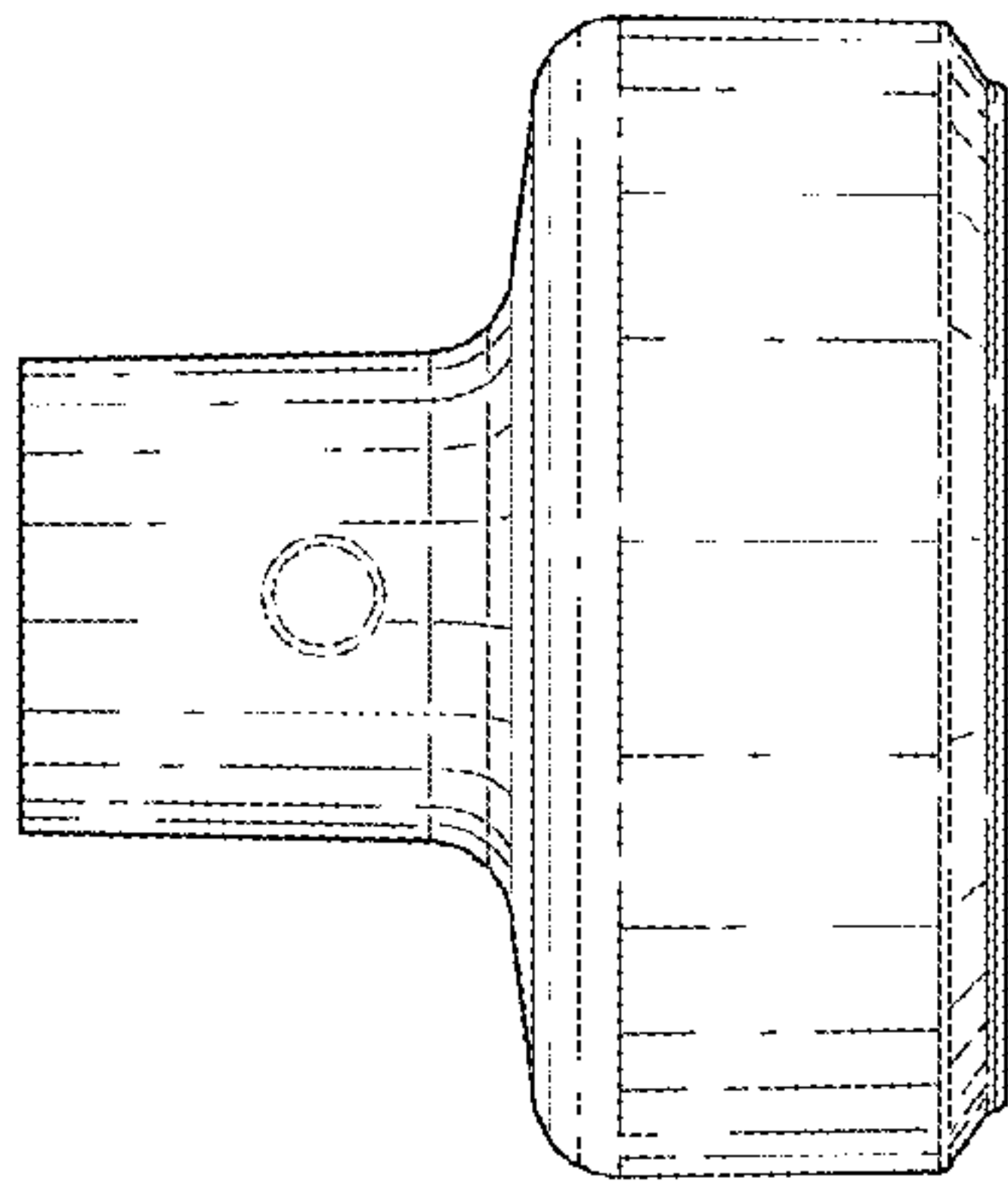


Fig. 7

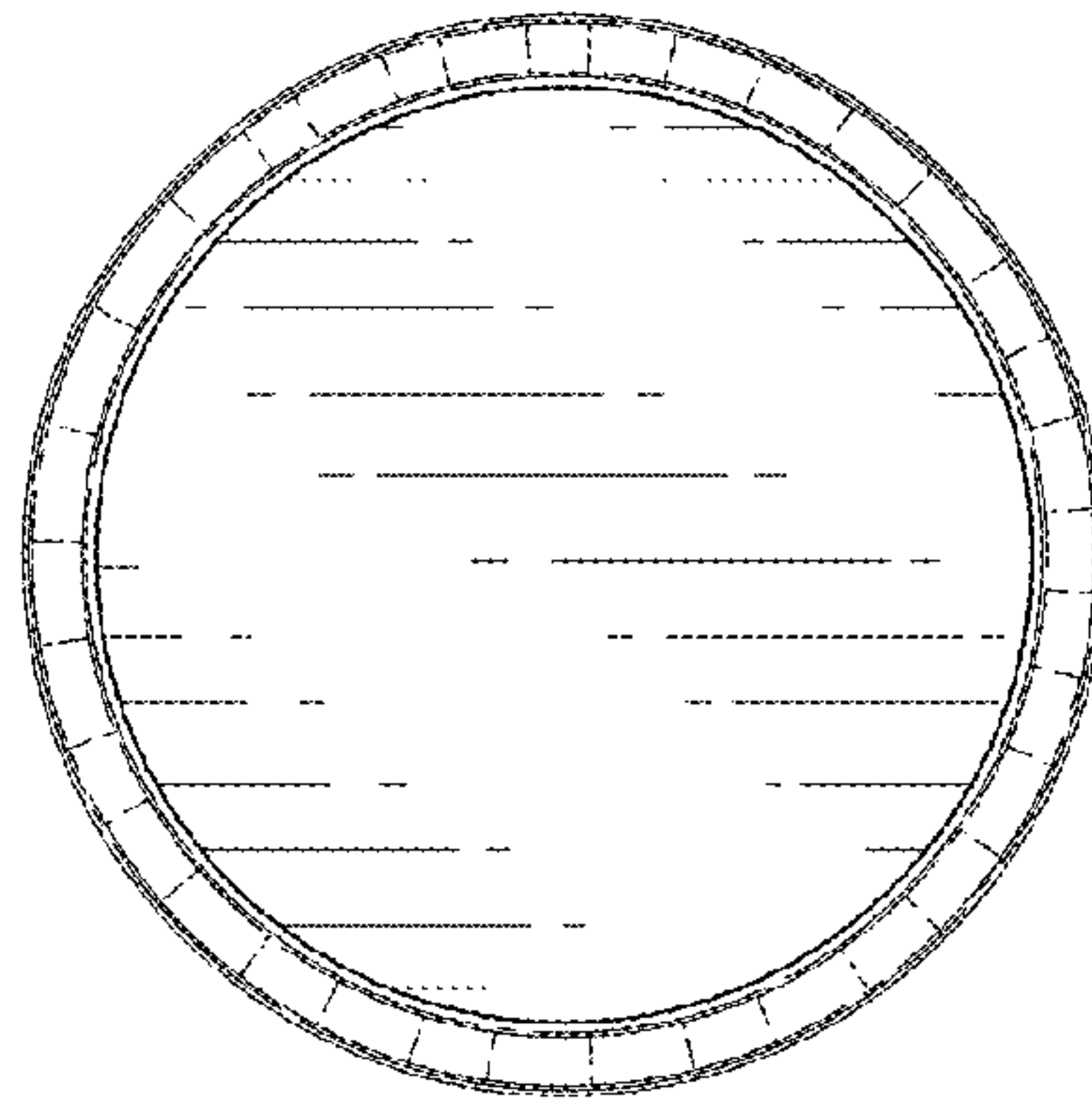


Fig. 3

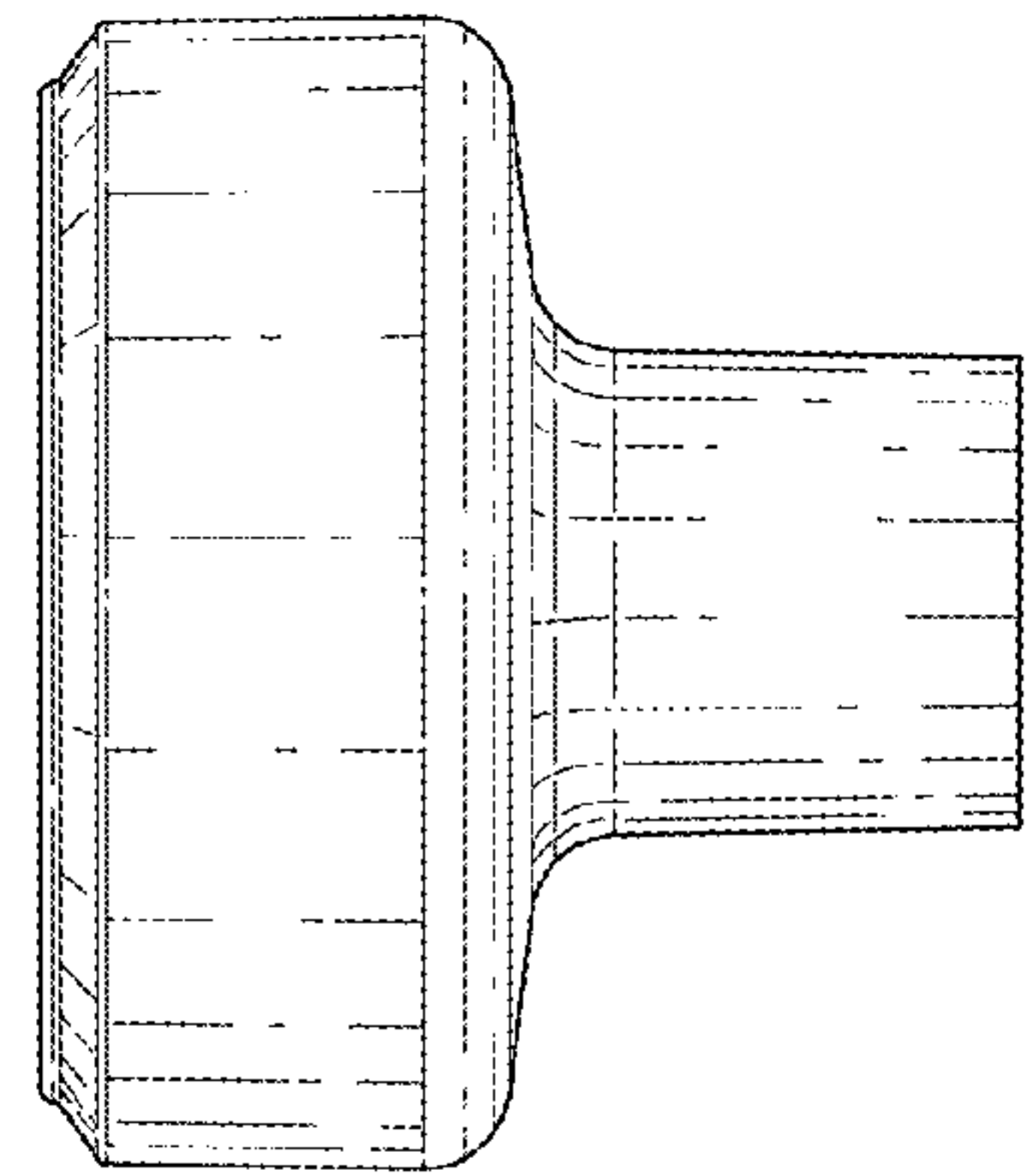


Fig. 6

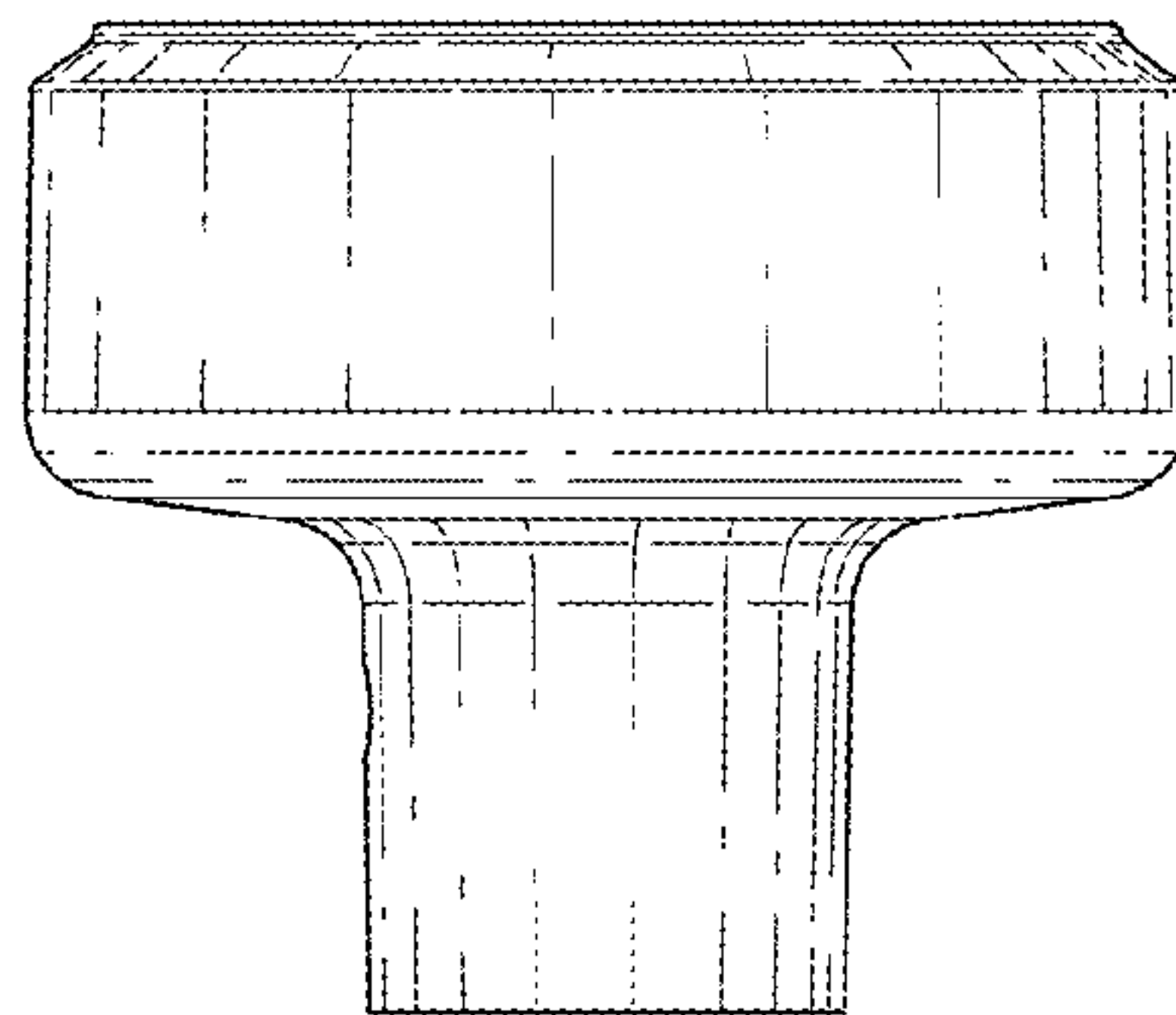


Fig. 5