



US00D942835S

(12) **United States Design Patent** (10) **Patent No.:** **US D942,835 S**  
**Cox** (45) **Date of Patent:** **\*\* Feb. 8, 2022**

(54) **DETACHABLE HANDLE DEVICE**

D734,983 S \* 7/2015 Doyle ..... D7/395

\* cited by examiner

(71) Applicant: **Robert J. Cox**, Sheboygan, WI (US)

*Primary Examiner* — Eliza Z Bennett-Hattan

(72) Inventor: **Robert J. Cox**, Sheboygan, WI (US)

(74) *Attorney, Agent, or Firm* — CERES Patent & Technology, LLC; Mandy L. Tran, Esq.

(\*\*) Term: **15 Years**

(57) **CLAIM**

(21) Appl. No.: **29/725,032**

I claim the ornamental design for a detachable handle device, as shown and described.

(22) Filed: **Feb. 21, 2020**

**DESCRIPTION**

(51) **LOC (13) Cl.** ..... **08-06**

A portion of the disclosure of this patent document contains material that is subject to copyright protection. The copyright owner has no objection to the facsimile reproduction by anyone of the patent document or patent disclosure as it appears in the Patent and Trademark office, patent file or records, but otherwise reserves all copyright rights whatsoever.

(52) **U.S. Cl.**

USPC ..... **D8/306**

(58) **Field of Classification Search**

USPC ..... D8/319, 69, 302, 300, 307, 315, 306;  
D34/35

CPC .... Y10T 16/469; Y10T 16/4559; B65D 25/28  
See application file for complete search history.

FIG. 1 is a rear perspective view of the claimed design.

FIG. 2 is a front perspective view of the claimed design.

FIG. 3 is a front plan view of the claimed design.

FIG. 4 is a rear plan view of the claimed design.

FIG. 5 is a right side plan view of the claimed design.

FIG. 6 is a left side plan view of the claimed design.

FIG. 7 is a top side perspective view of the claimed design;  
and,

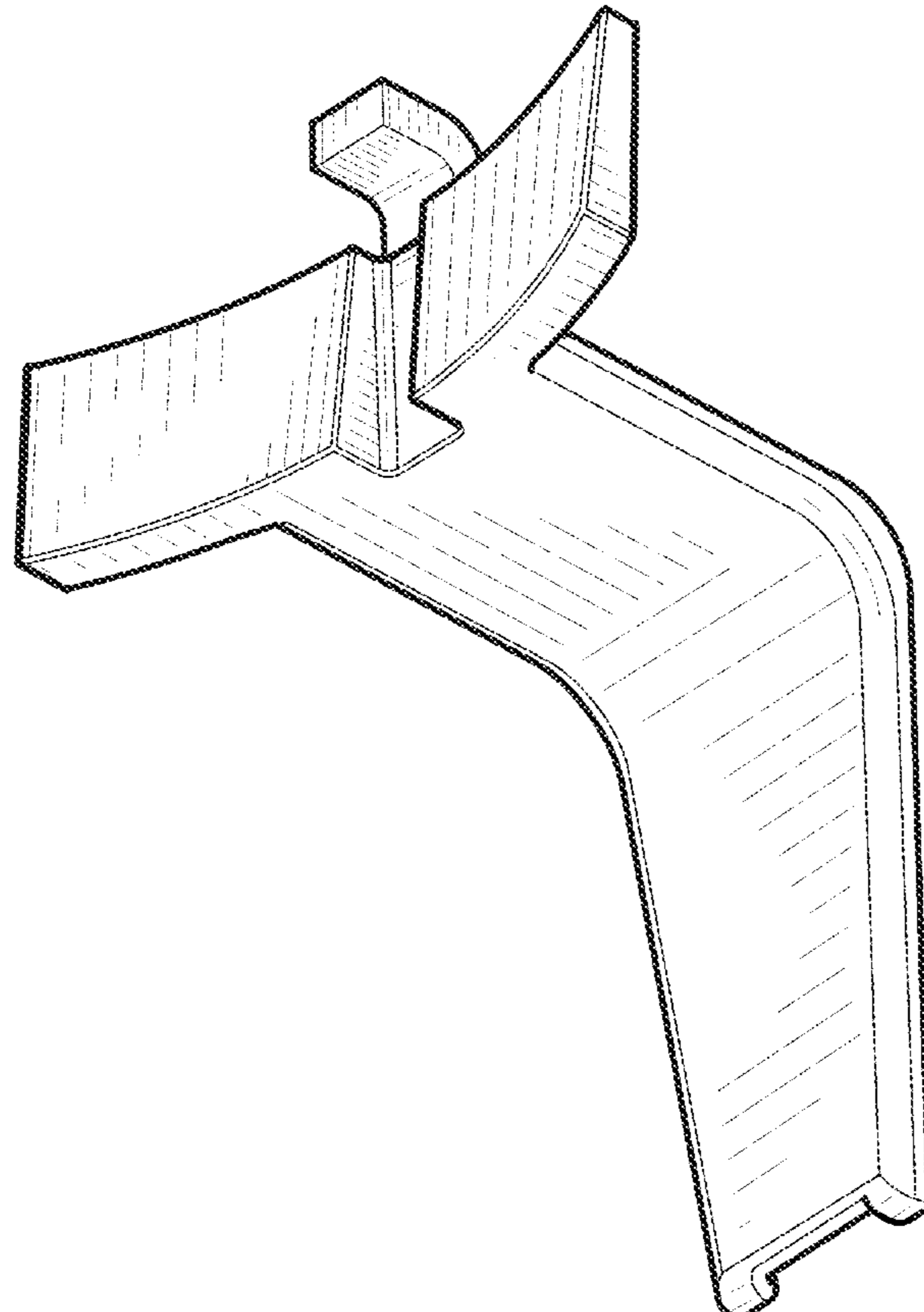
FIG. 8 is a bottom side perspective view of the claimed design.

(56) **References Cited**

U.S. PATENT DOCUMENTS

1,426,357 A \* 8/1922 Chambers ..... E05D 15/00  
16/412  
D254,772 S \* 4/1980 Buck, Jr. .... D8/302  
D379,497 S \* 5/1997 Renfro ..... D8/307  
D518,352 S \* 4/2006 Brasset ..... D7/395  
D675,079 S \* 1/2013 Armstrong ..... A47K 13/105  
D8/307

**1 Claim, 5 Drawing Sheets**



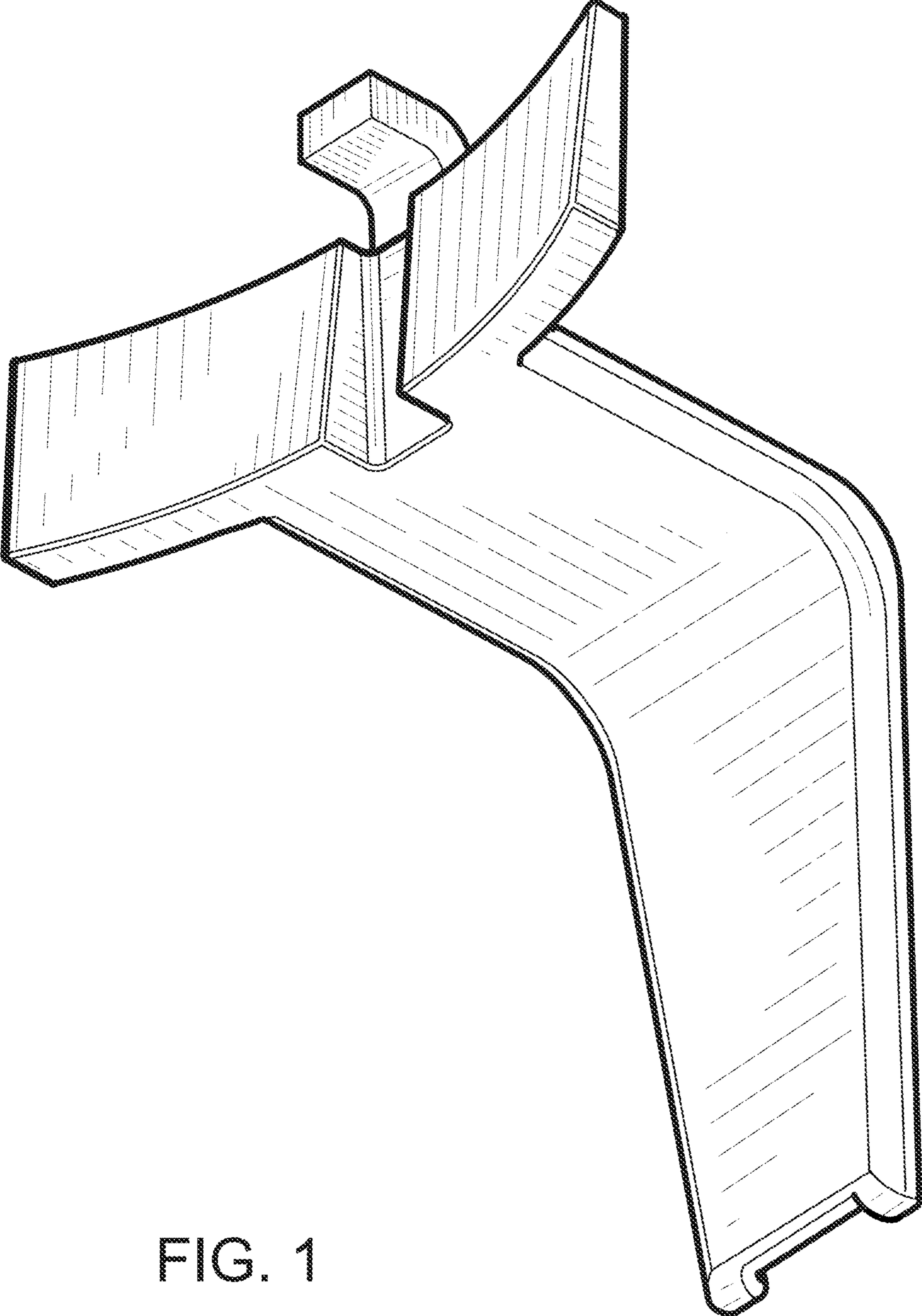


FIG. 1

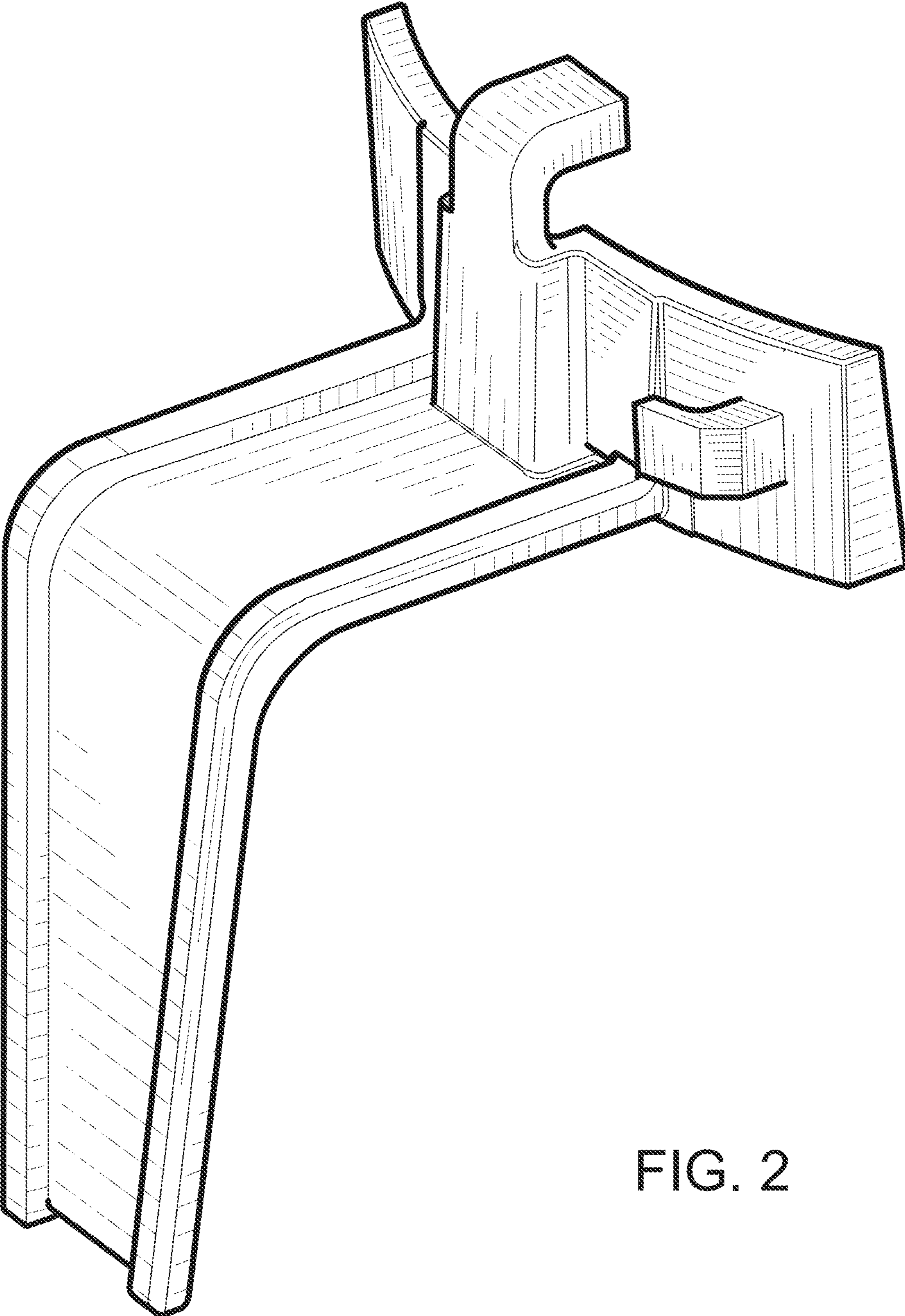


FIG. 2

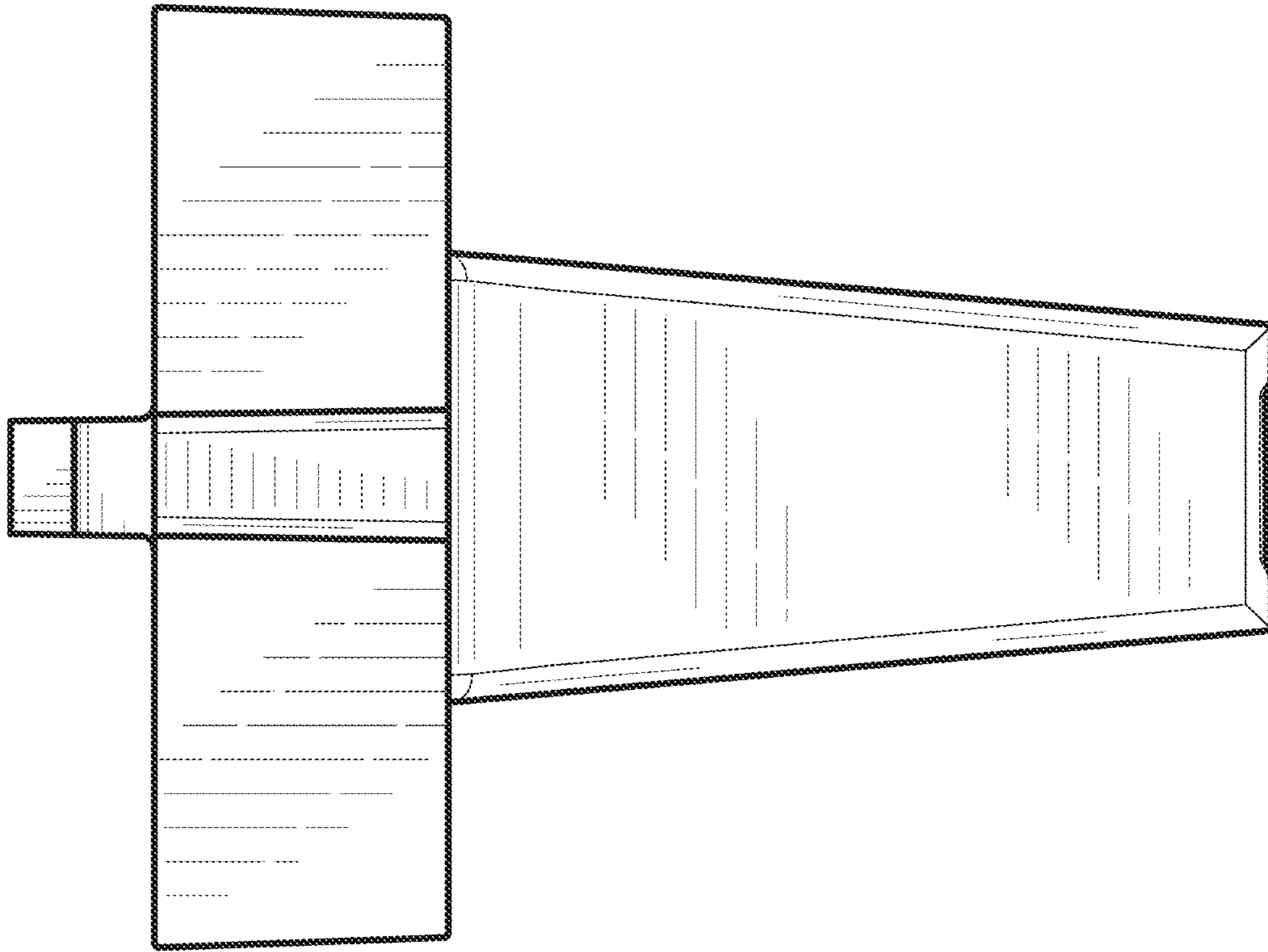


FIG. 4

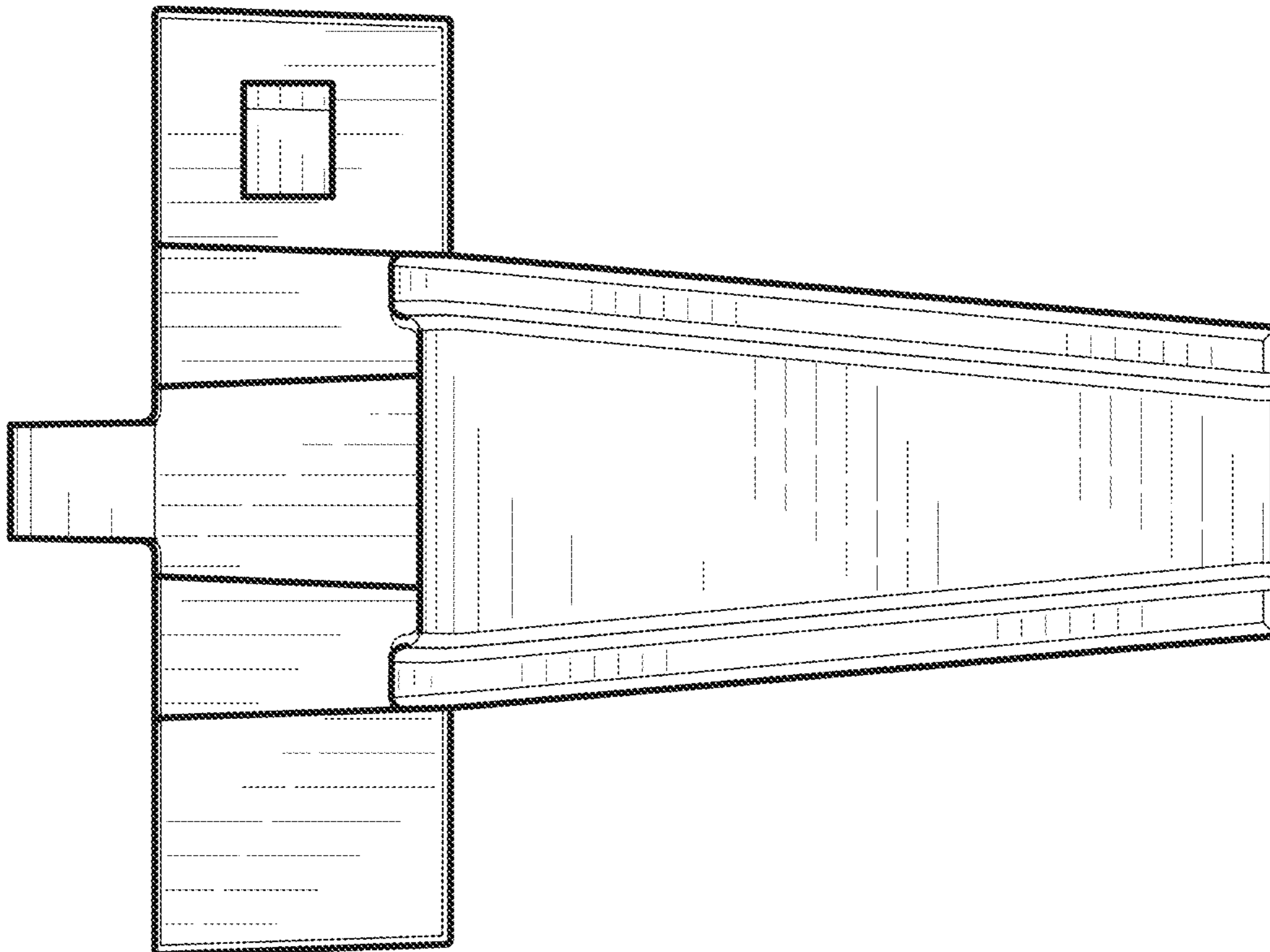


FIG. 3

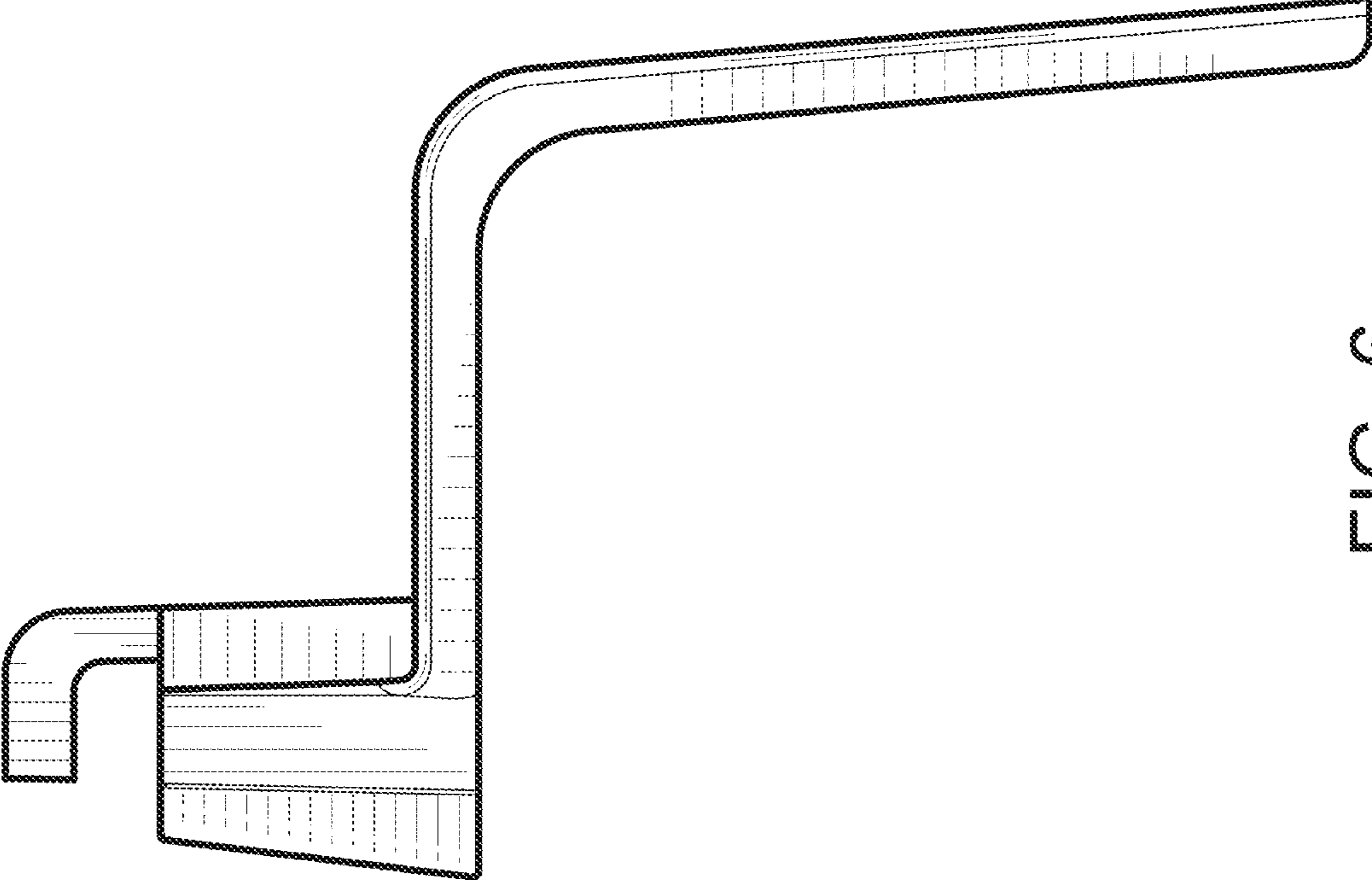


FIG. 5

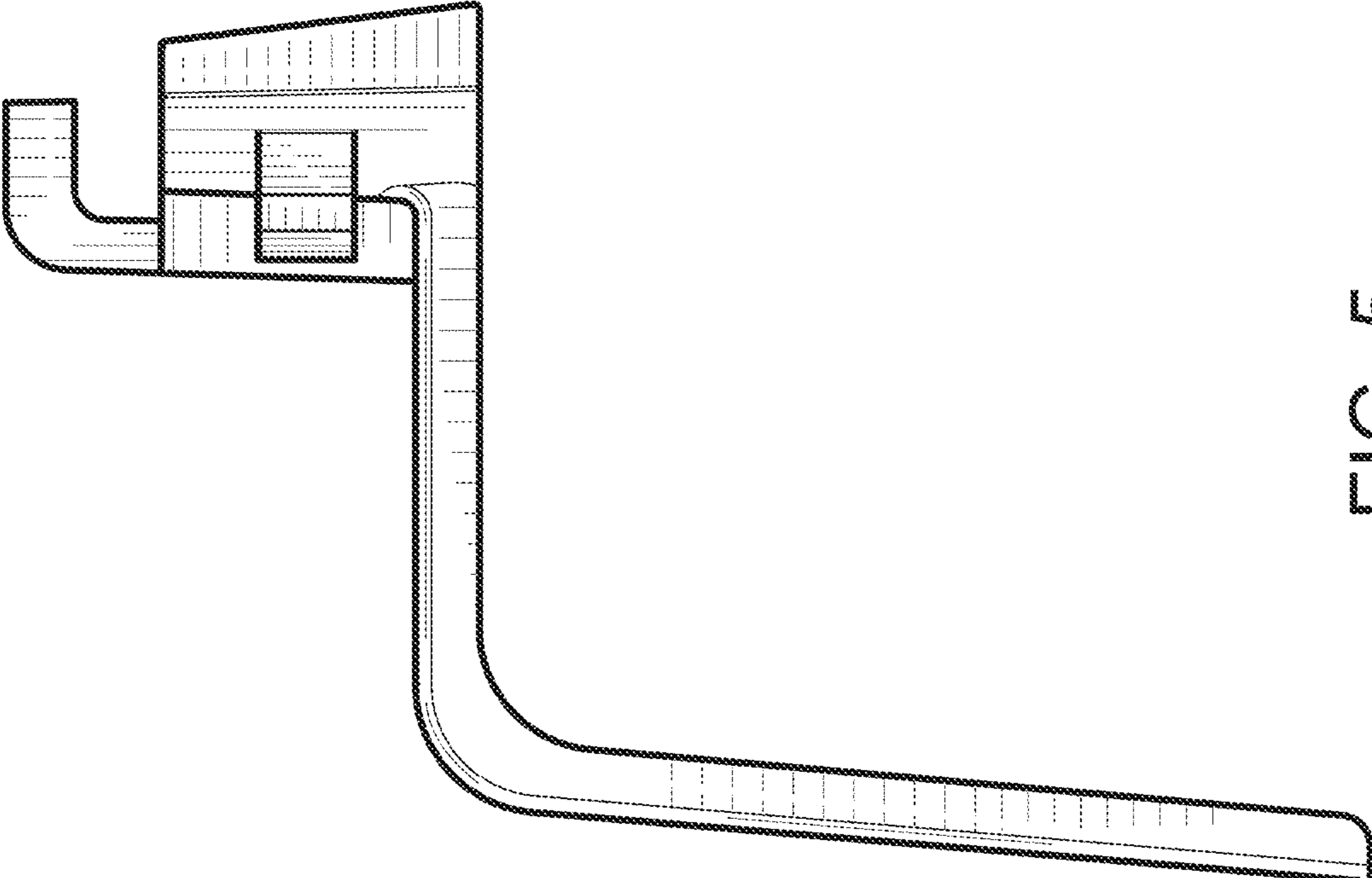


FIG. 6

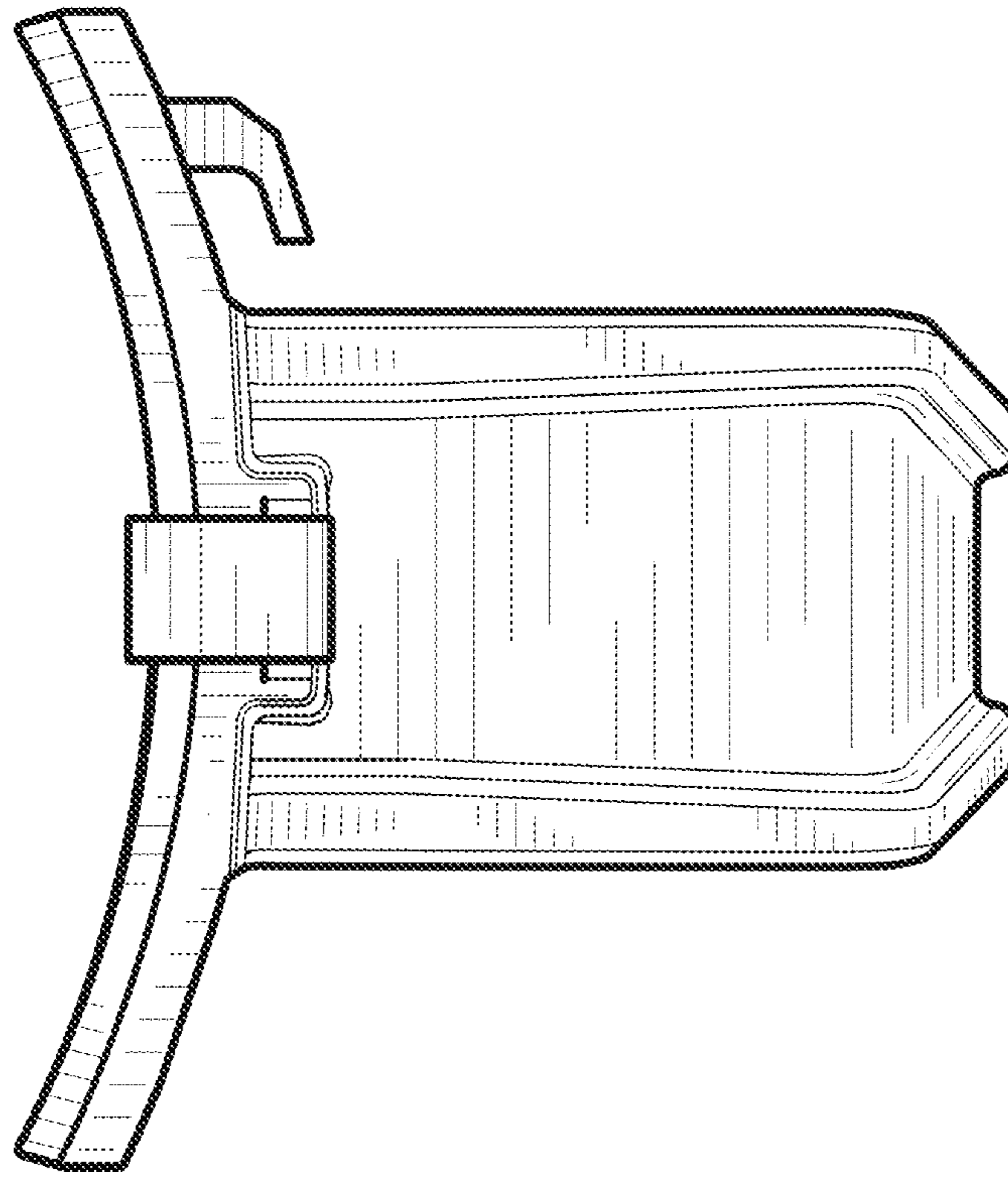


FIG. 7

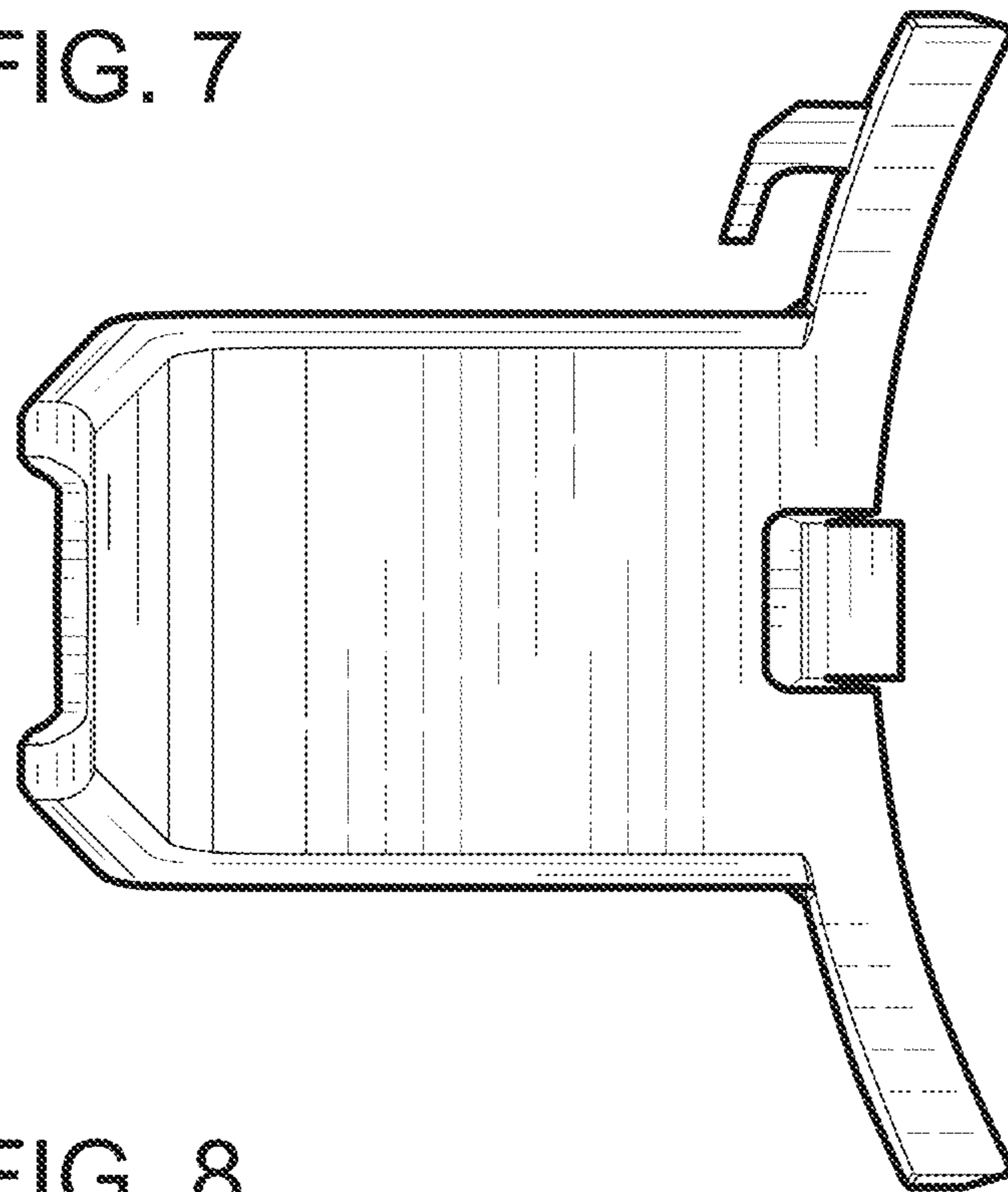


FIG. 8