



US00D942834S

(12) **United States Design Patent** (10) **Patent No.:** **US D942,834 S**  
**Levand et al.** (45) **Date of Patent:** **\*\* \*Feb. 8, 2022**

- (54) **MULTI-TOOL WITH BIT SLOT**
- (71) Applicant: **THE SHERWIN-WILLIAMS COMPANY**, Cleveland, OH (US)
- (72) Inventors: **Victor J. Levand**, Lyndhurst, OH (US); **Sharad Gaurav**, Lakewood, OH (US); **Sarah Bridget Mulroy**, Rocky River, OH (US); **Joshua R. Robertson**, North Ridgeville, OH (US); **Edward Ray Goodwin**, Westlake, OH (US); **Randi Boss**, Avon Lake, OH (US); **Michael C. Lambertson, Jr.**, Aurora, OH (US)
- (73) Assignee: **The Sherwin-Williams Company**, Cleveland, OH (US)
- (\* ) Notice: This patent is subject to a terminal disclaimer.
- (\*\*) Term: **15 Years**
- (21) Appl. No.: **29/758,250**
- (22) Filed: **Nov. 13, 2020**

**Related U.S. Application Data**

- (63) Continuation of application No. 29/705,502, filed on Sep. 12, 2019, now Pat. No. Des. 904,852, which is a continuation of application No. 29/659,953, filed on Aug. 14, 2018, now Pat. No. Des. 864,693, which is a continuation of application No. 29/591,135, filed on Jan. 17, 2017, now Pat. No. Des. 828,740.
- (51) **LOC (13) Cl.** ..... **08-05**
- (52) **U.S. Cl.**  
USPC ..... **D8/107**
- (58) **Field of Classification Search**  
USPC ..... D8/45, 107, 14, 82, 83; D4/138;  
D7/395; D32/46, 49, 52  
CPC ..... B25G 1/105; B25G 1/102; B25G 1/125;  
B25F 1/00; Y10T 16/44; Y10T 16/498  
See application file for complete search history.

(56) **References Cited**

U.S. PATENT DOCUMENTS

4,620,369 A 11/1986 Gercken  
5,251,352 A 10/1993 Cullison

(Continued)

FOREIGN PATENT DOCUMENTS

CN 3509667 3/2006  
CN 300768755 4/2008

(Continued)

*Primary Examiner* — Philip S Hyder

(74) *Attorney, Agent, or Firm* — Tucker Ellis LLP

(57) **CLAIM**

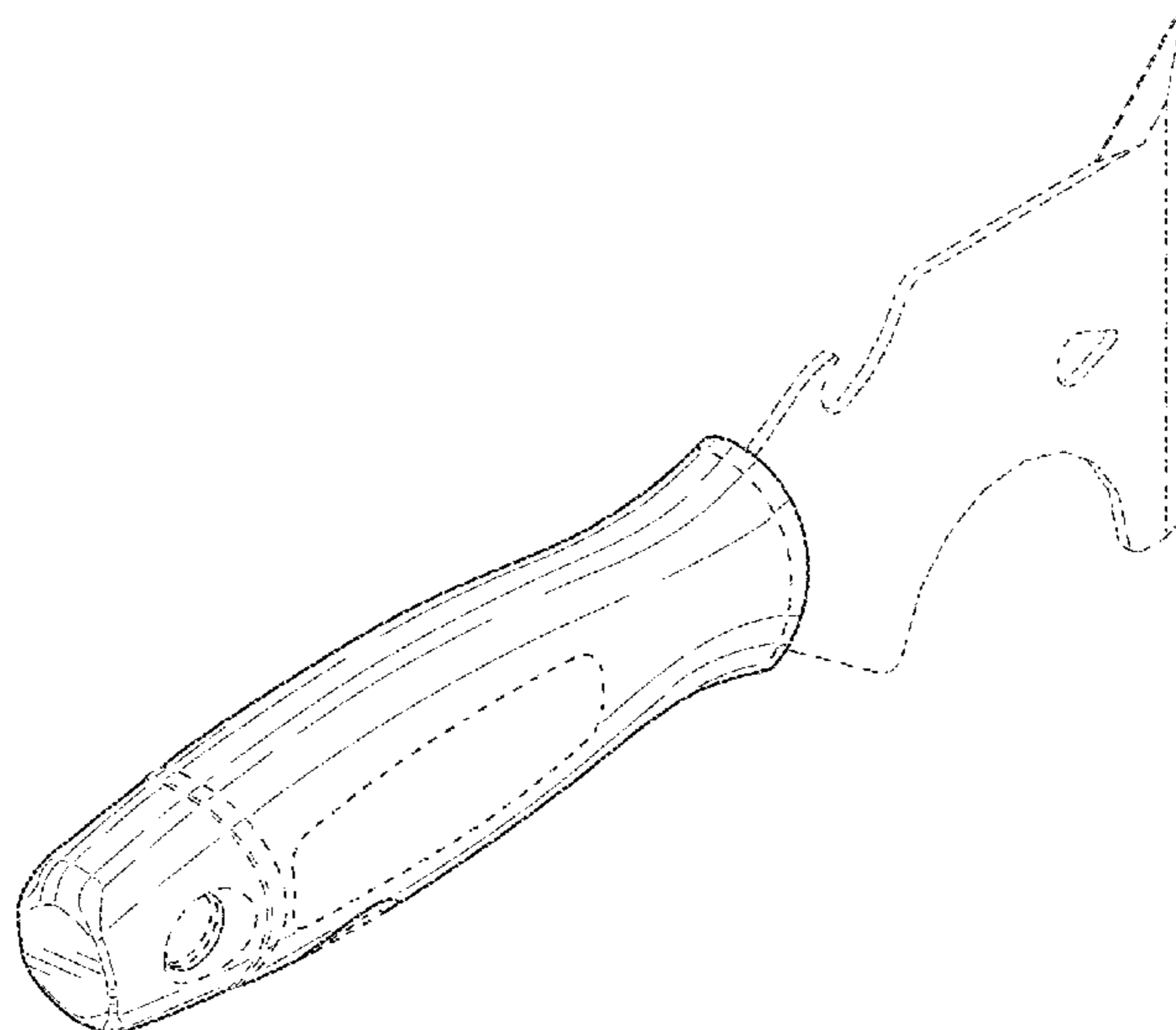
The ornamental design for a multi-tool with bit slot, as shown and described.

**DESCRIPTION**

FIG. 1 is a top front perspective view of an embodiment of a multi-tool with bit slot showing a new design; FIG. 2 is a top rear perspective view of the multi-tool as illustrated in FIG. 1; FIG. 3 is a bottom rear perspective view of the multi-tool as illustrated in FIG. 1; FIG. 4 is a top view of the multi-tool illustrated in FIG. 1; FIG. 5 is a bottom view of the multi-tool illustrated in FIG. 1; FIG. 6 is a front view of the multi-tool illustrated in FIG. 1; FIG. 7 is a rear view of the multi-tool illustrated in FIG. 1; FIG. 8 is a left side view of the multi-tool illustrated in FIG. 1; and, FIG. 9 is a right side view of the multi-tool illustrated in FIG. 1.

The broken lines depict portions of the multi-tool with bit slot in which the design is embodied that are not considered part of the claimed design.

**1 Claim, 5 Drawing Sheets**



(56)

References Cited

U.S. PATENT DOCUMENTS

5,546,625 A 8/1996 Mealey  
 5,615,445 A 4/1997 Kelsay  
 D386,857 S 11/1997 Lawrence  
 D388,671 S 1/1998 Suganami  
 D414,395 S 9/1999 Panfili  
 5,956,799 A 9/1999 Panaccione  
 6,009,581 A 1/2000 Davis  
 D420,887 S 2/2000 Chen  
 D421,890 S 3/2000 Alexander et al.  
 6,131,222 A 10/2000 Anderson  
 6,131,290 A 10/2000 Chiou  
 6,182,317 B1 2/2001 Huang  
 D444,692 S 7/2001 Marquardt  
 D446,104 S 8/2001 Chen  
 D446,437 S 8/2001 Chen  
 D456,236 S 4/2002 Norton  
 D462,251 S 9/2002 Collins  
 D468,617 S 1/2003 Wang  
 D468,989 S 1/2003 Gringer et al.  
 D472,125 S 3/2003 Hsu  
 6,530,098 B1 3/2003 Gringer  
 D482,588 S 11/2003 Lai  
 D483,244 S 12/2003 Chen  
 6,668,751 B1 12/2003 Henke  
 D487,387 S 3/2004 Chen  
 D490,290 S 5/2004 Norton  
 D498,124 S 11/2004 Mitchell  
 D516,394 S 3/2006 Chen  
 D517,896 S 3/2006 Hsu  
 D520,827 S 5/2006 Denton  
 D526,881 S 8/2006 Holby  
 D527,244 S 8/2006 Holby  
 D534,781 S 1/2007 Chen  
 D535,174 S 1/2007 Chen  
 D535,541 S 1/2007 Holby  
 D551,053 S 9/2007 Bruno et al.  
 D565,383 S 4/2008 Bruno et al.  
 D569,215 S 5/2008 Chiu  
 D572,565 S 7/2008 Perez et al.

D576,467 S 9/2008 Shu  
 7,434,318 B2 10/2008 Perez  
 D581,764 S 12/2008 Kinskey et al.  
 D599,642 S 9/2009 Su  
 7,587,778 B2 9/2009 Rosso  
 D608,177 S 1/2010 Perlman  
 D609,992 S 2/2010 Delaney  
 D612,702 S 3/2010 Perlman  
 7,788,760 B2 9/2010 Schneble  
 7,818,843 B2 10/2010 Kinskey et al.  
 D629,578 S 12/2010 Molina  
 8,205,341 B2 6/2012 Rosso  
 D674,259 S 1/2013 Metaxatos et al.  
 D674,260 S 1/2013 Metaxatos et al.  
 D693,077 S 11/2013 Thompson  
 8,819,944 B2 9/2014 Farland et al.  
 8,844,087 B2 9/2014 Henke  
 8,844,410 B2 9/2014 Henke  
 8,856,995 B2 10/2014 Arvinte et al.  
 D719,433 S 12/2014 Cooper  
 D733,517 S 7/2015 Constantine  
 2007/0074401 A1 4/2007 Myers  
 2007/0124881 A1 6/2007 Daugherty  
 2009/0139051 A1 6/2009 Hobbs  
 2009/0293200 A1 12/2009 Rosso  
 2010/0117262 A1 5/2010 Gringer  
 2011/0138540 A1 6/2011 Kinskey et al.  
 2012/0246946 A1 10/2012 Kreitz

FOREIGN PATENT DOCUMENTS

CN 300840659 10/2008  
 CN 300845692 11/2008  
 CN 301211005 5/2010  
 CN 301456087 2/2011  
 CN 302173179 11/2012  
 CN 302214939 12/2012  
 CN 302276247 1/2013  
 CN 302296356 1/2013  
 CN 302313081 2/2013  
 CN 302439605 5/2013

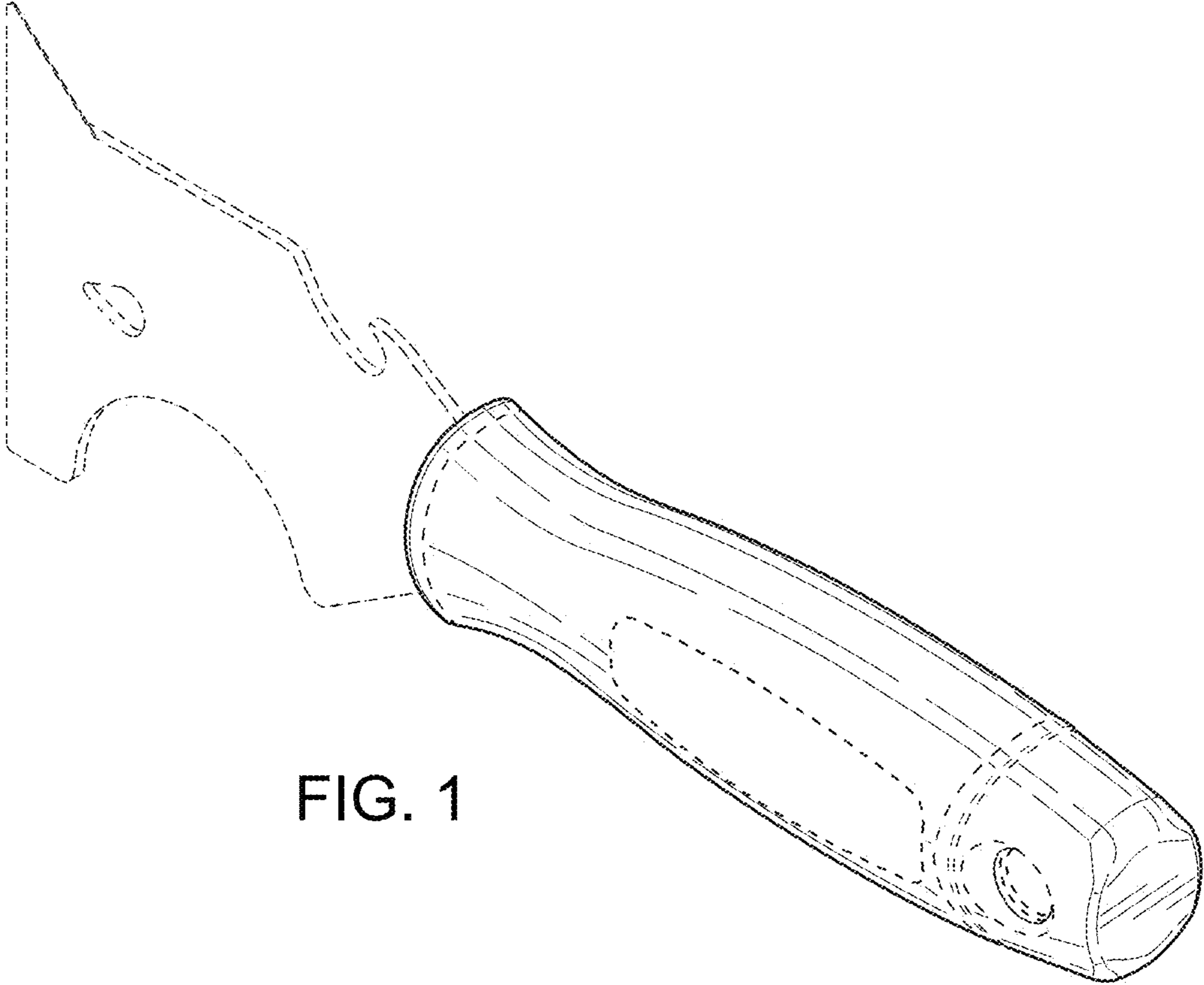


FIG. 1

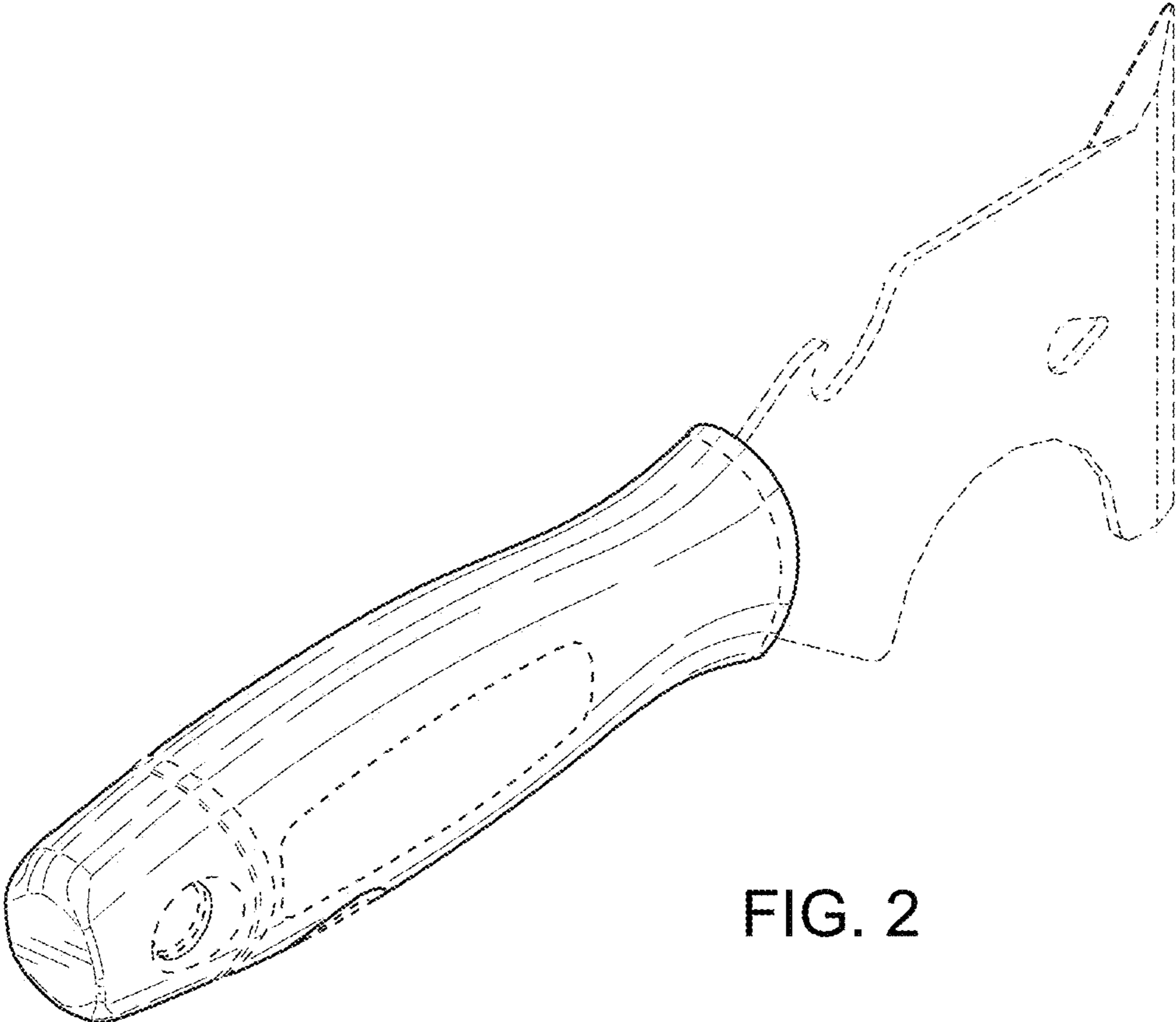


FIG. 2

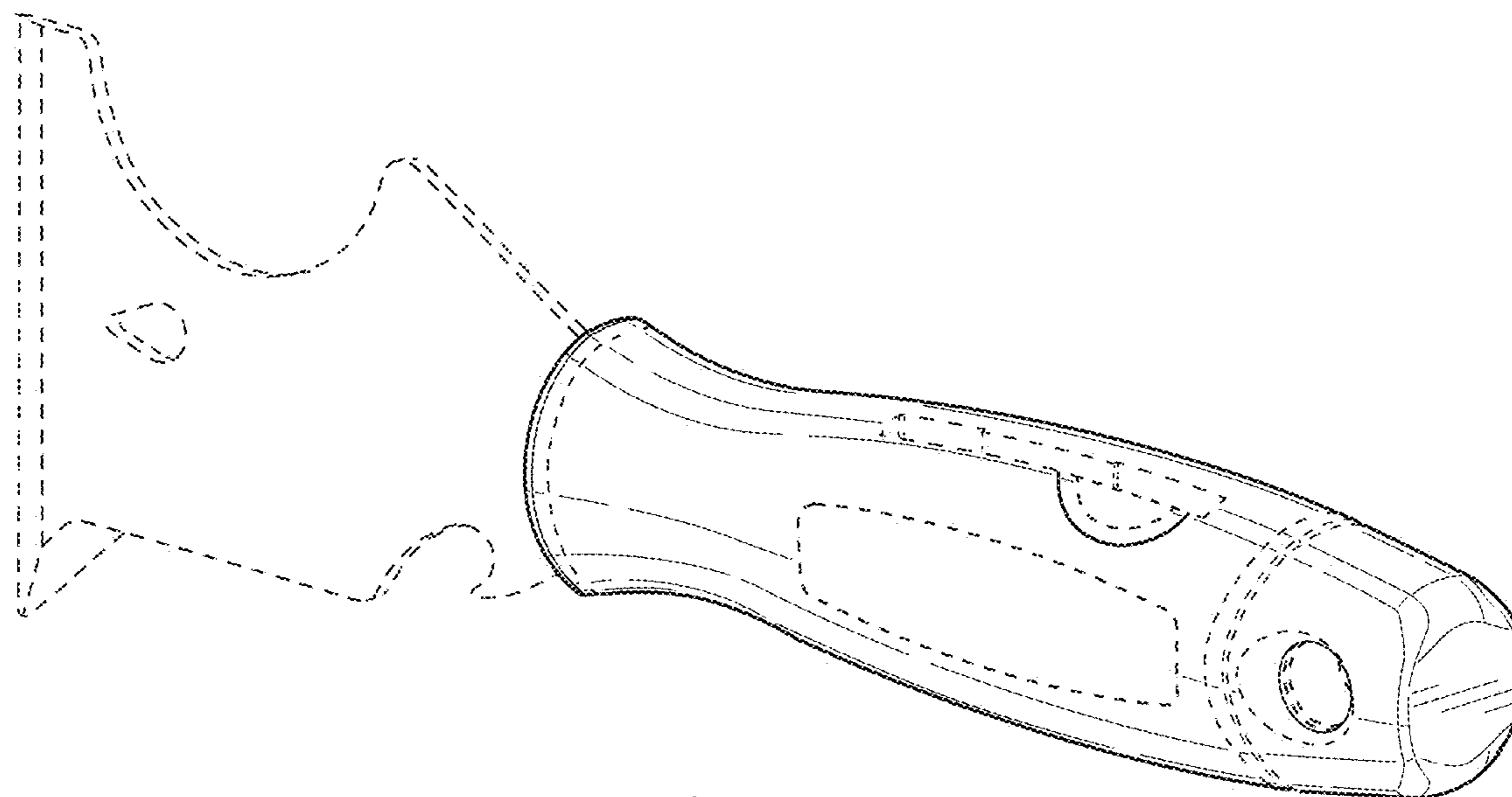


FIG. 3



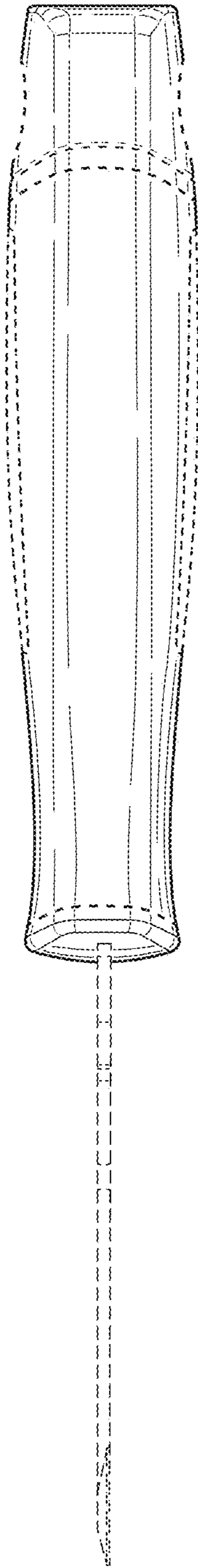


FIG. 4

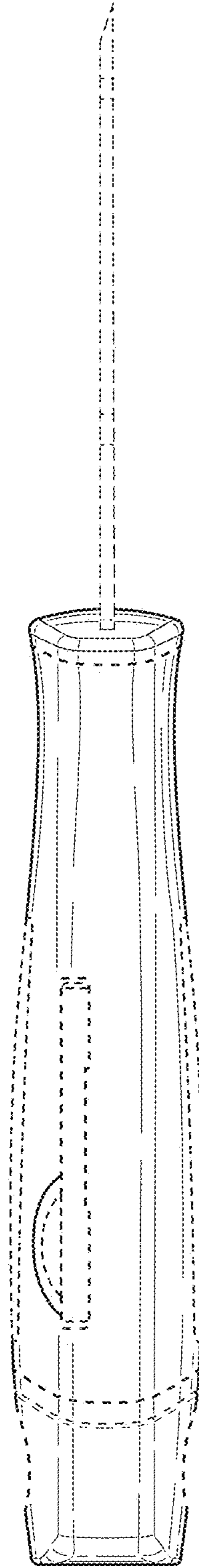
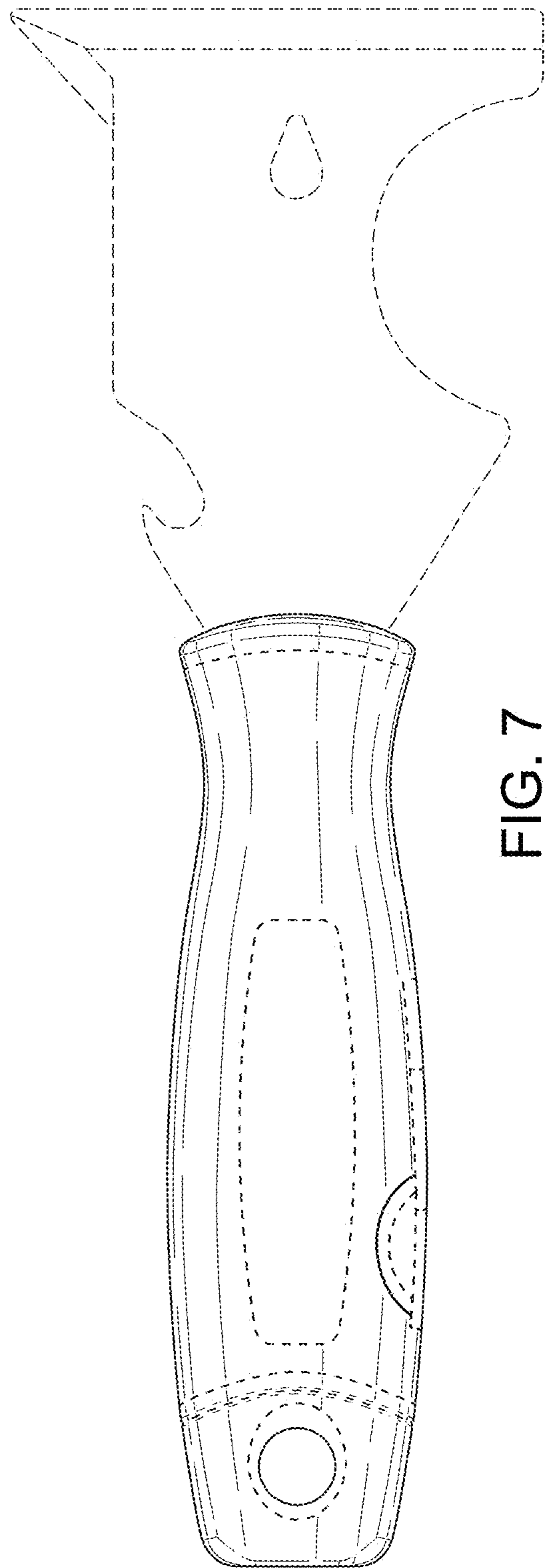
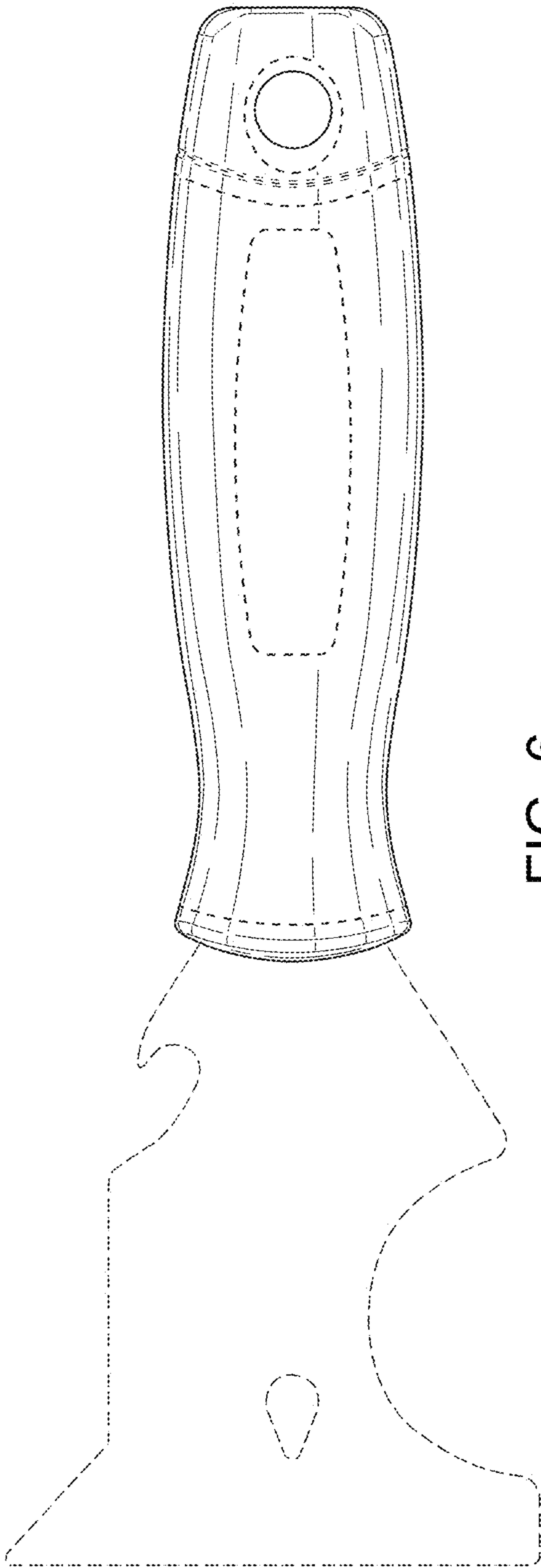


FIG. 5



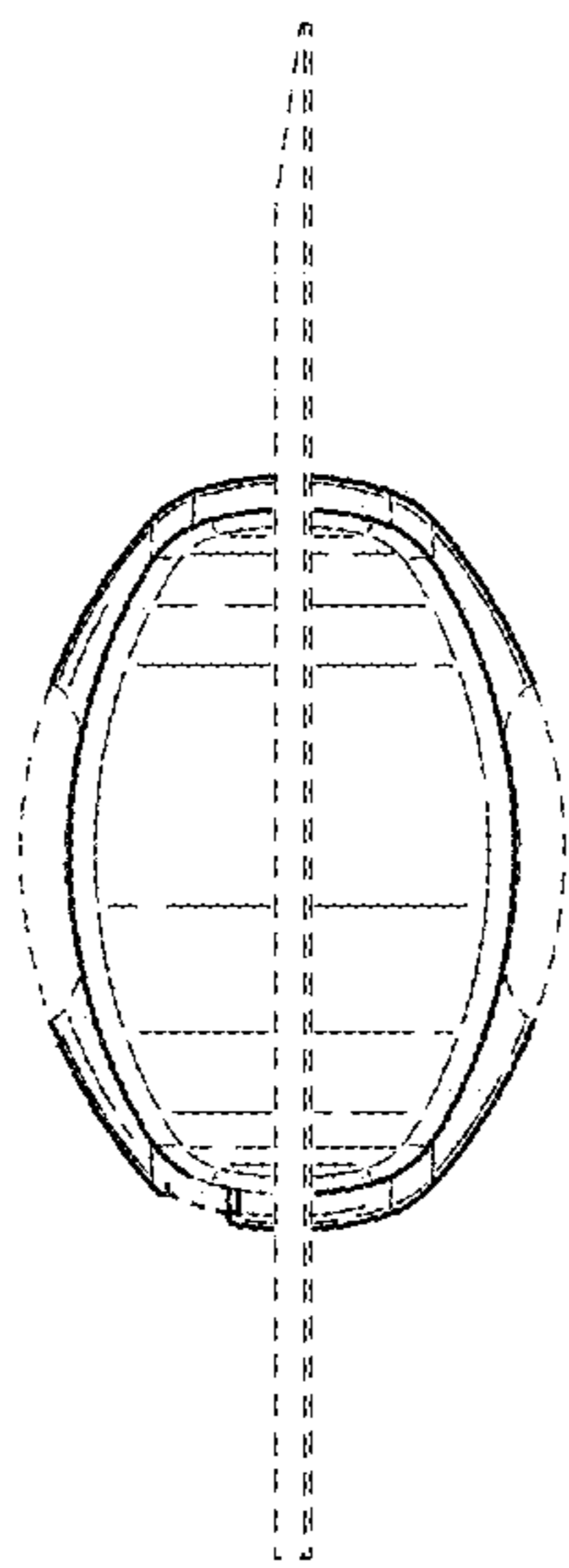


FIG. 8

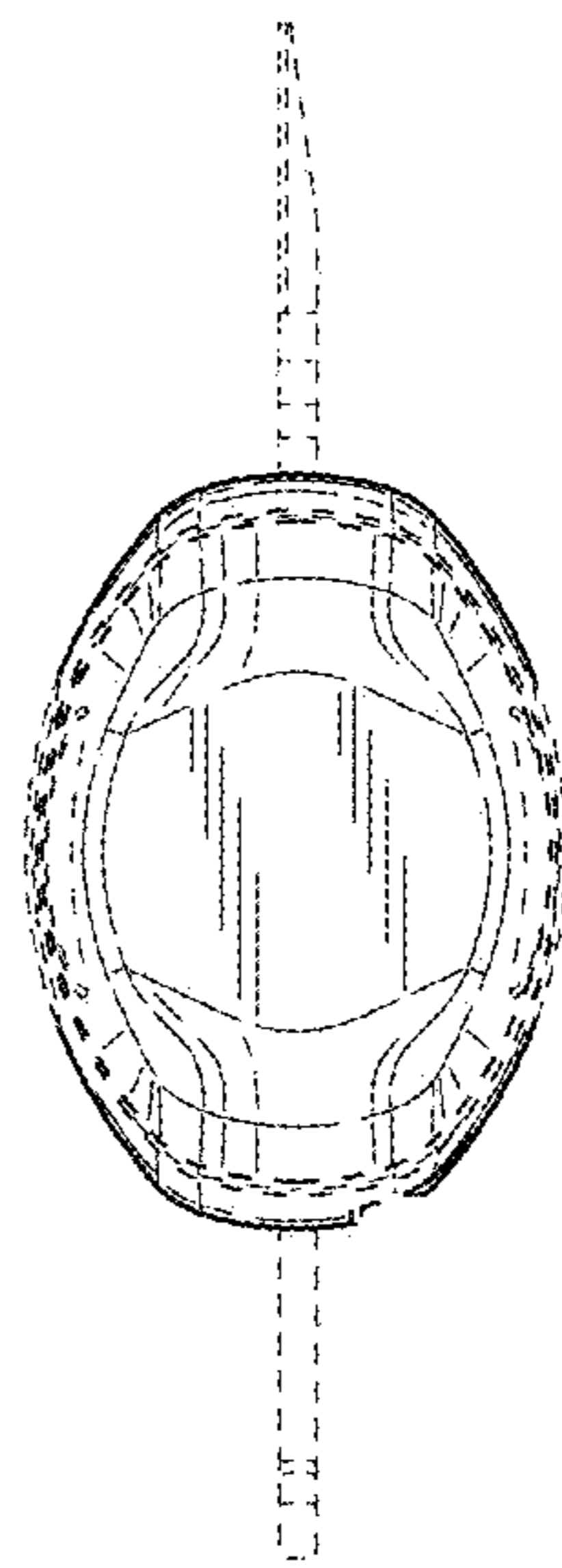


FIG. 9