



US00D942832S

(12) **United States Design Patent** (10) **Patent No.:** **US D942,832 S**  
**Li et al.** (45) **Date of Patent:** **\*\* Feb. 8, 2022**

(54) **SCREWDRIVER HANDLE**  
(71) Applicant: **BEIJING XIAOMI MOBILE SOFTWARE CO., LTD.**, Beijing (CN)  
(72) Inventors: **Ningning Li**, Beijing (CN); **Jianyu Tang**, Beijing (CN); **Lidan Liu**, Beijing (CN)  
(73) Assignee: **BEIJING XIAOMI MOBILE SOFTWARE CO., LTD.**, Beijing (CN)

D341,531 S \* 11/1993 Nagano ..... D8/61  
D384,263 S \* 9/1997 Lin ..... D8/107  
D423,897 S \* 5/2000 Cooper ..... D8/61  
D425,387 S \* 5/2000 Shiao ..... D8/82  
D467,146 S \* 12/2002 Chunn ..... D8/61  
D472,779 S \* 4/2003 Chunn ..... D8/61  
D476,875 S \* 7/2003 Chen ..... D8/82  
D481,612 S \* 11/2003 Tsai ..... D8/107  
D510,692 S \* 10/2005 Walker ..... D8/83  
D573,862 S \* 7/2008 Kao ..... D8/83  
7,493,838 B2 \* 2/2009 Beauchamp ..... B25G 1/085  
81/177.1  
D592,482 S \* 5/2009 Gregory ..... D8/107  
D829,524 S \* 10/2018 Su ..... D8/83  
D845,102 S \* 4/2019 Hofer ..... D8/85  
D859,119 S \* 9/2019 Hyma ..... D8/83  
D860,750 S \* 9/2019 Beh ..... D8/83  
D930,452 S \* 9/2021 Tang ..... D8/83

(\*\*) Term: **15 Years**  
(21) Appl. No.: **35/509,933**  
(22) Filed: **May 26, 2020**

\* cited by examiner

(80) **Hague Agreement Data**  
Int. Filing Date: **May 26, 2020**  
Int. Reg. No.: **DM/209427**  
Int. Reg. Date: **May 26, 2020**  
Int. Reg. Pub. Date: **Jul. 31, 2020**

*Primary Examiner* — Deanna L Pratt  
(74) *Attorney, Agent, or Firm* — Syncoda LLC; Feng Ma

(30) **Foreign Application Priority Data**

(57) **CLAIM**

The ornamental design for a screwdriver handle, as shown and described.

Dec. 6, 2019 (CN) ..... 201930681693.9  
(51) **LOC (13) Cl.** ..... **08-04**  
(52) **U.S. Cl.**  
USPC ..... **D8/83**; D8/61  
(58) **Field of Classification Search**  
USPC ..... D8/61, 82, 83, 84, 107  
CPC ..... B25G 1/085; B25G 1/005; B25G 1/105;  
B25B 15/00  
See application file for complete search history.

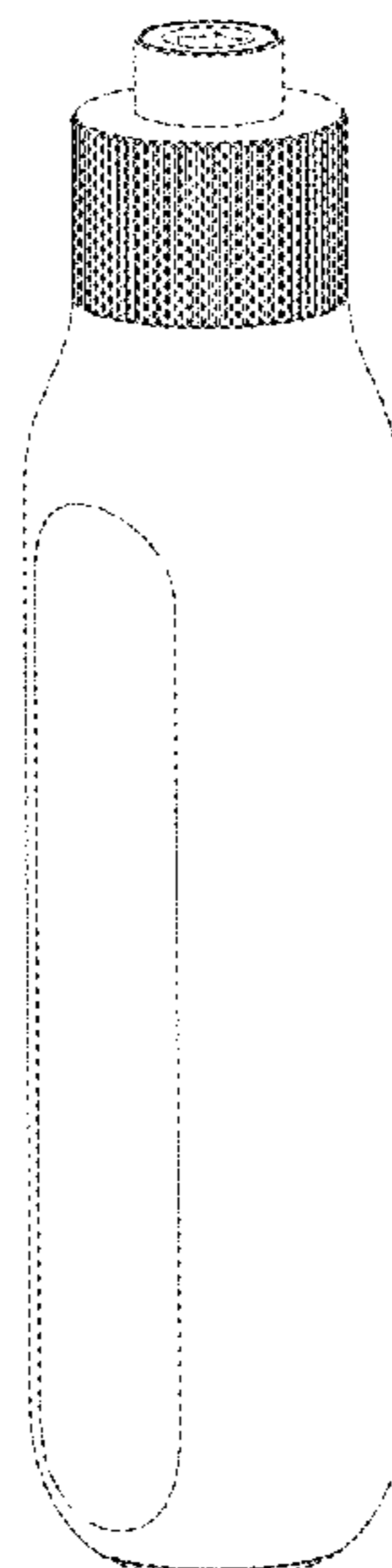
**DESCRIPTION**

1 Screwdriver handle  
**1.1** : Front  
**1.2** : Back  
**1.3** : Left  
**1.4** : Right  
**1.5** : Top  
**1.6** : Bottom  
**1.7** : Perspective  
**1.8** : Reference view of state of use  
Reproduction **1.8** is a reference view showing the state of use of the claimed design and form no part of the claimed design.

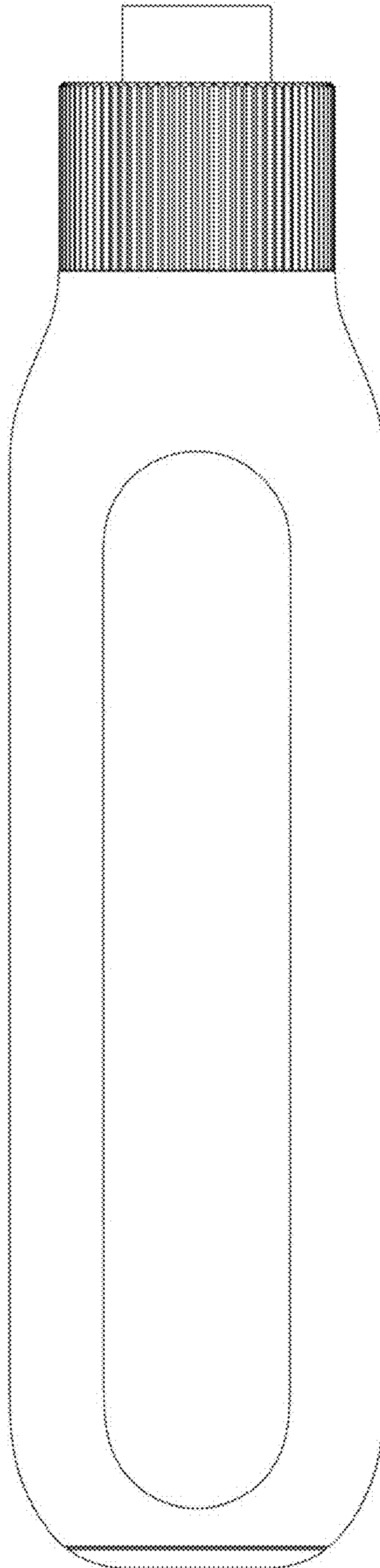
(56) **References Cited**  
U.S. PATENT DOCUMENTS

D259,237 S \* 5/1981 Savnik ..... D8/83  
D308,622 S \* 6/1990 Fushiya ..... D8/30

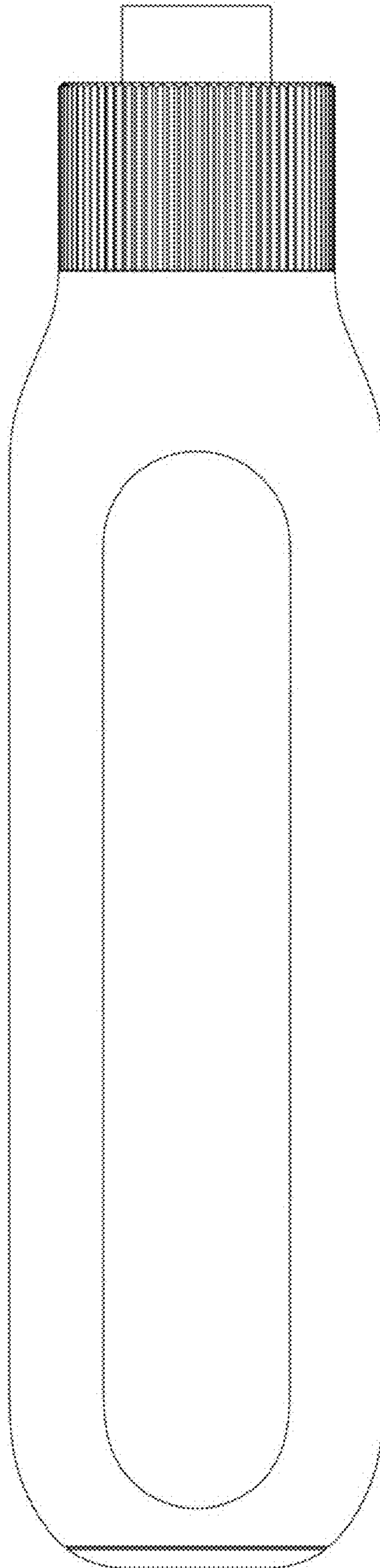
**1 Claim, 8 Drawing Sheets**



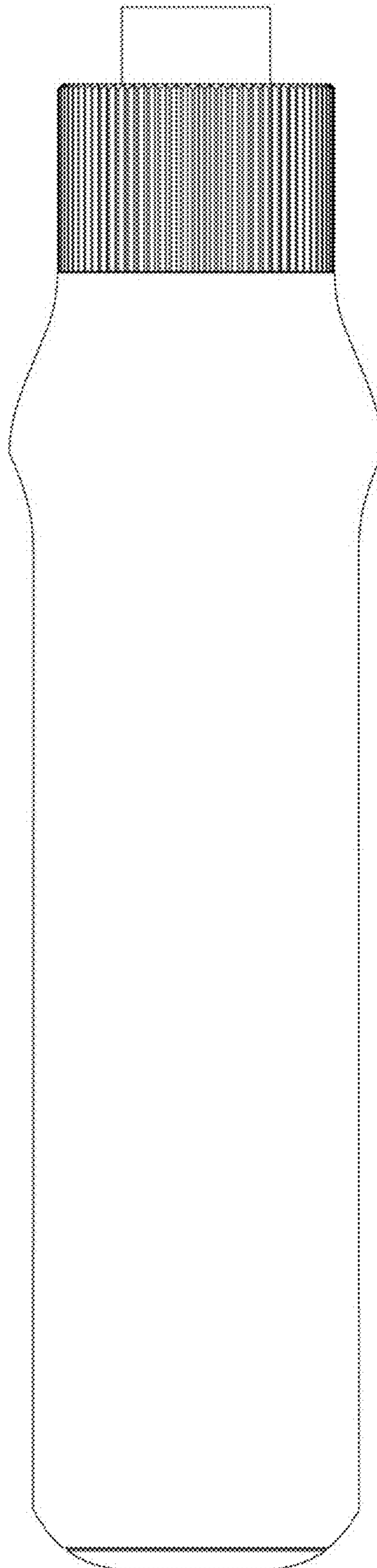
1.1



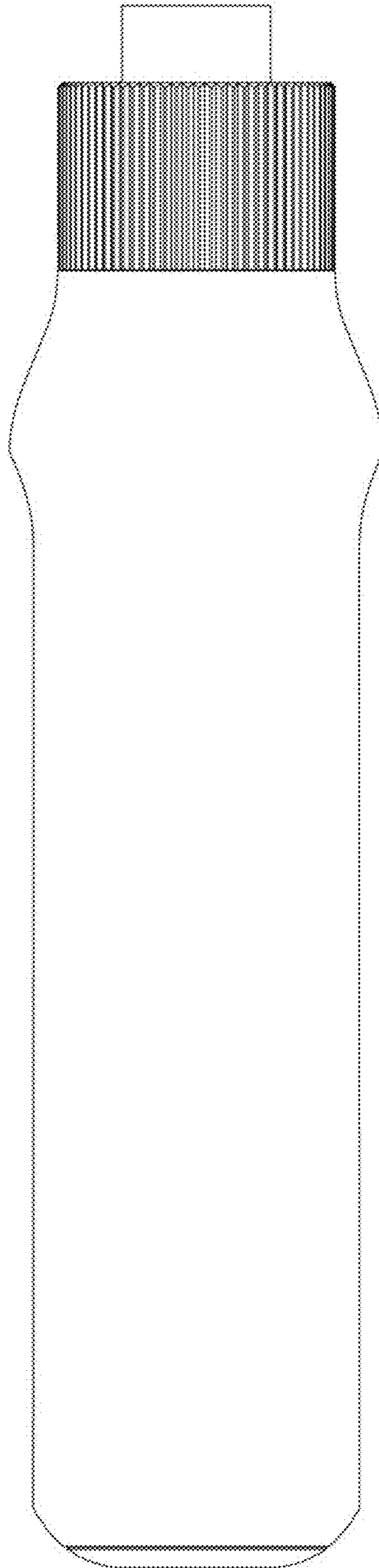
1.2



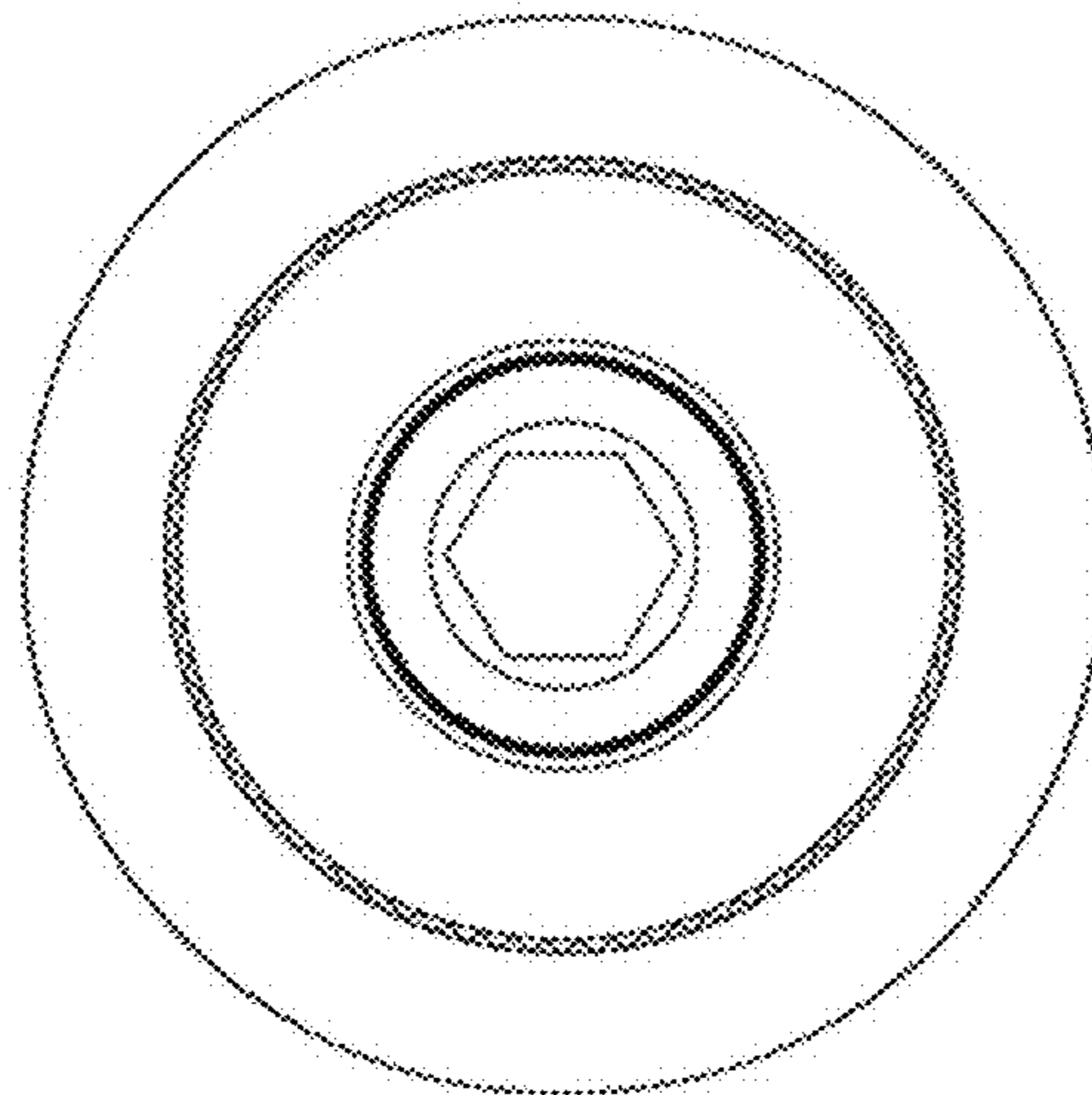
1.3



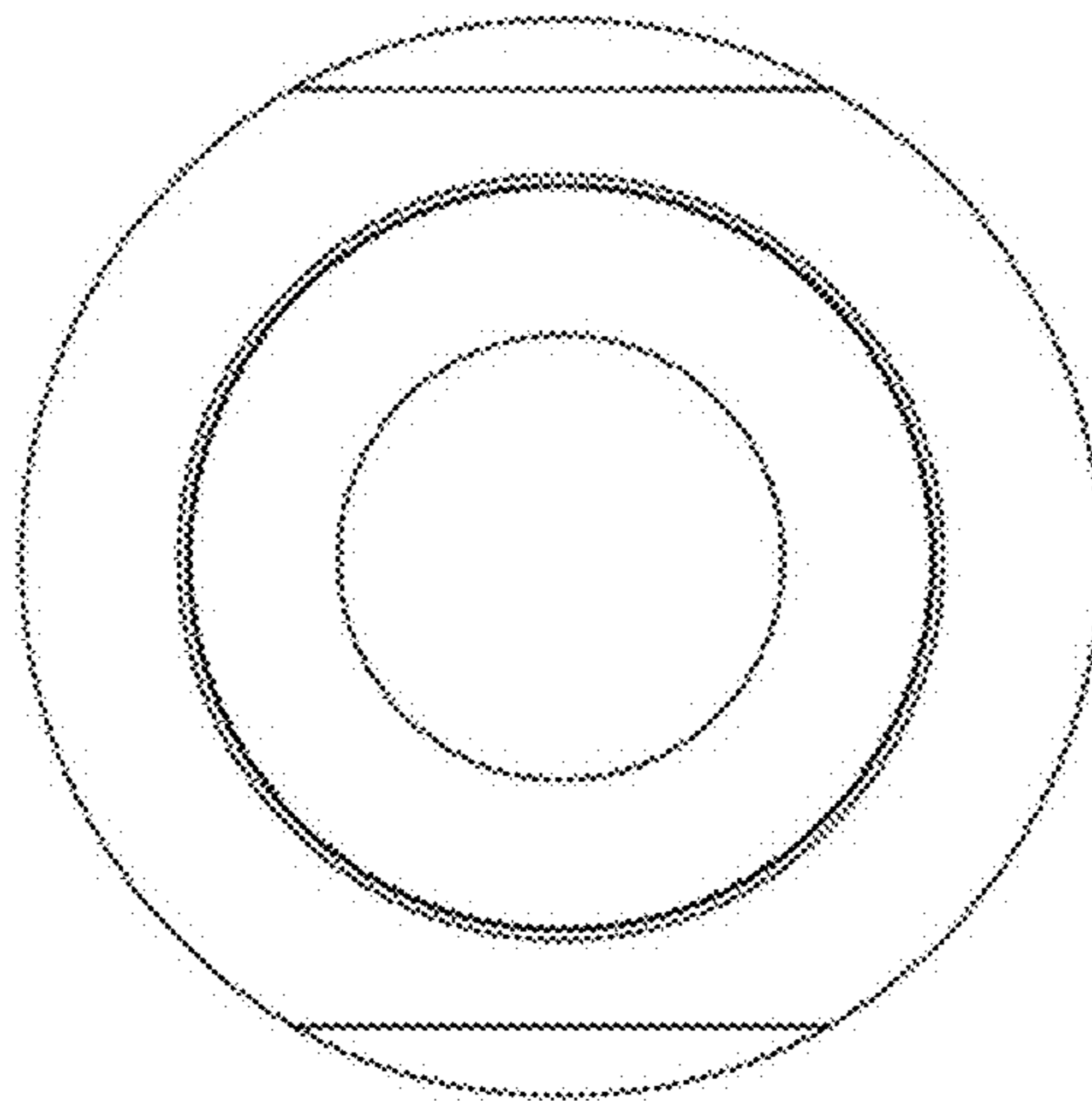
1.4



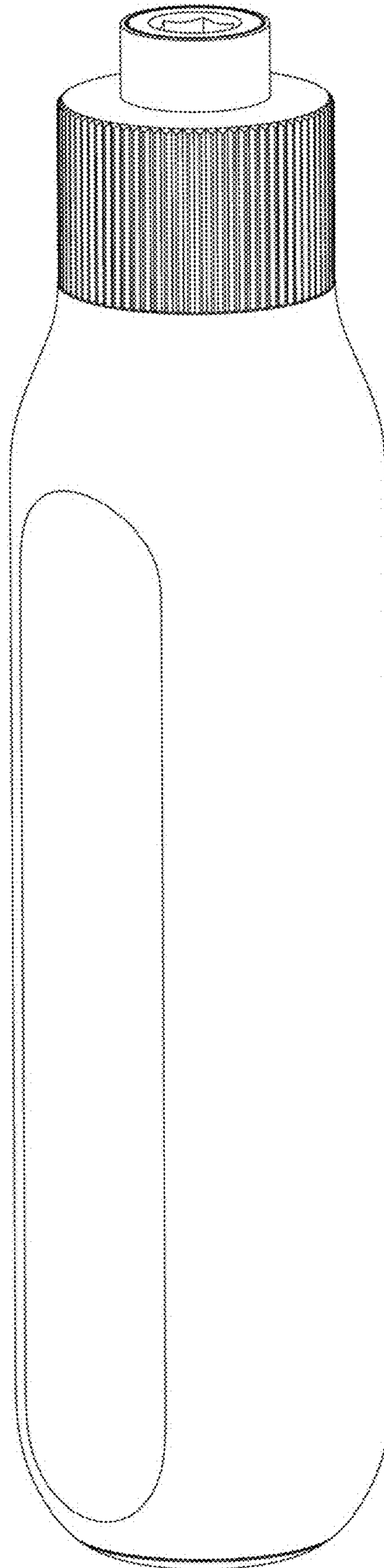
1.5



1.6



1.7





1.8

