



US00D942827S

(12) **United States Design Patent** (10) **Patent No.:** **US D942,827 S**
Madigan et al. (45) **Date of Patent:** **** Feb. 8, 2022**

(54) **CARRIER**
(71) Applicants: **Richard Madigan**, Hingham, MA (US);
Connor Madigan, Foxborough, MA (US)
(72) Inventors: **Richard Madigan**, Hingham, MA (US);
Connor Madigan, Foxborough, MA (US)
(73) Assignee: **Accutech Packaging, Inc.**, Foxboro, MA (US)
(**) Term: **15 Years**

D363,196 S * 10/1995 Kristiansen D7/553.3
D367,367 S * 2/1996 Bekerman D6/336
D380,349 S * 7/1997 Indekeu D7/359
D381,512 S * 7/1997 Green D3/273
D429,565 S * 8/2000 Aiken D3/273
D495,597 S * 9/2004 Rubalcava D9/424
D665,674 S * 8/2012 Wu D9/730
D792,759 S * 7/2017 Foster D9/424
D792,760 S * 7/2017 Foster D9/424
D915,160 S * 4/2021 Madigan D7/703
D916,586 S * 4/2021 Savelev D9/425
10,988,302 B1 * 4/2021 Madigan B65D 81/3834
D918,414 S * 5/2021 Madigan D24/227
D924,677 S * 7/2021 Huang D9/425
D926,028 S * 7/2021 Huang D9/425

* cited by examiner

(21) Appl. No.: **29/766,038**
(22) Filed: **Jan. 13, 2021**

Primary Examiner — S. Bryan Reinholdt, Jr.
(74) *Attorney, Agent, or Firm* — Salter & Michaelson

Related U.S. Application Data

(62) Division of application No. 29/691,425, filed on May 16, 2019, now Pat. No. Des. 915,160.
(51) **LOC (13) Cl.** **07-07**
(52) **U.S. Cl.**
USPC **D7/703; D9/425**
(58) **Field of Classification Search**
USPC D7/601, 602, 603, 605, 607, 624.2, 629, D7/703; D9/424, 425
CPC A47F 1/087; A47J 47/14; B65D 77/0446
See application file for complete search history.

(57) **CLAIM**

The ornamental design for a carrier, as shown.

DESCRIPTION

FIG. 1 is a top perspective view of a carrier;
FIG. 2 is a top plan view thereof;
FIG. 3 is a bottom plan view thereof;
FIG. 4 is a rear elevational view thereof;
FIG. 5 is a front elevational view thereof;
FIG. 6 is a right side elevational view thereof;
FIG. 7 is a left side elevational view thereof; and,
FIG. 8 is a cross-sectional view taken in the direction of line 8-8 of FIG. 2.

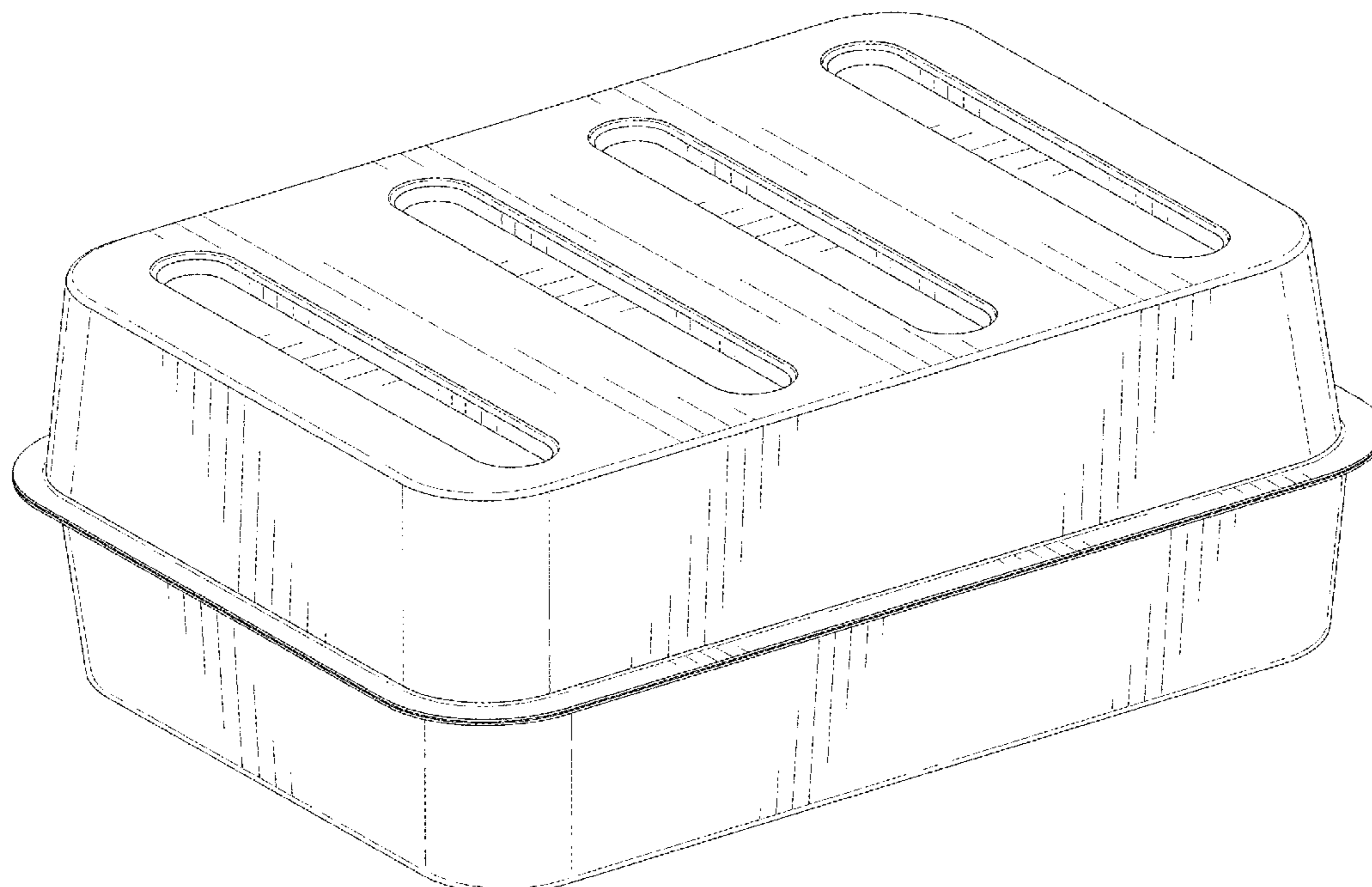
The broken lines and the areas within them in FIG. 8 depict portions of the carrier that form no part of the claimed design.

(56) **References Cited**

U.S. PATENT DOCUMENTS

D201,398 S * 6/1965 Burns et al. D3/302
D243,914 S * 4/1977 Marubashi D7/629
D344,658 S * 3/1994 Arkoosh, Jr. D7/359

1 Claim, 8 Drawing Sheets



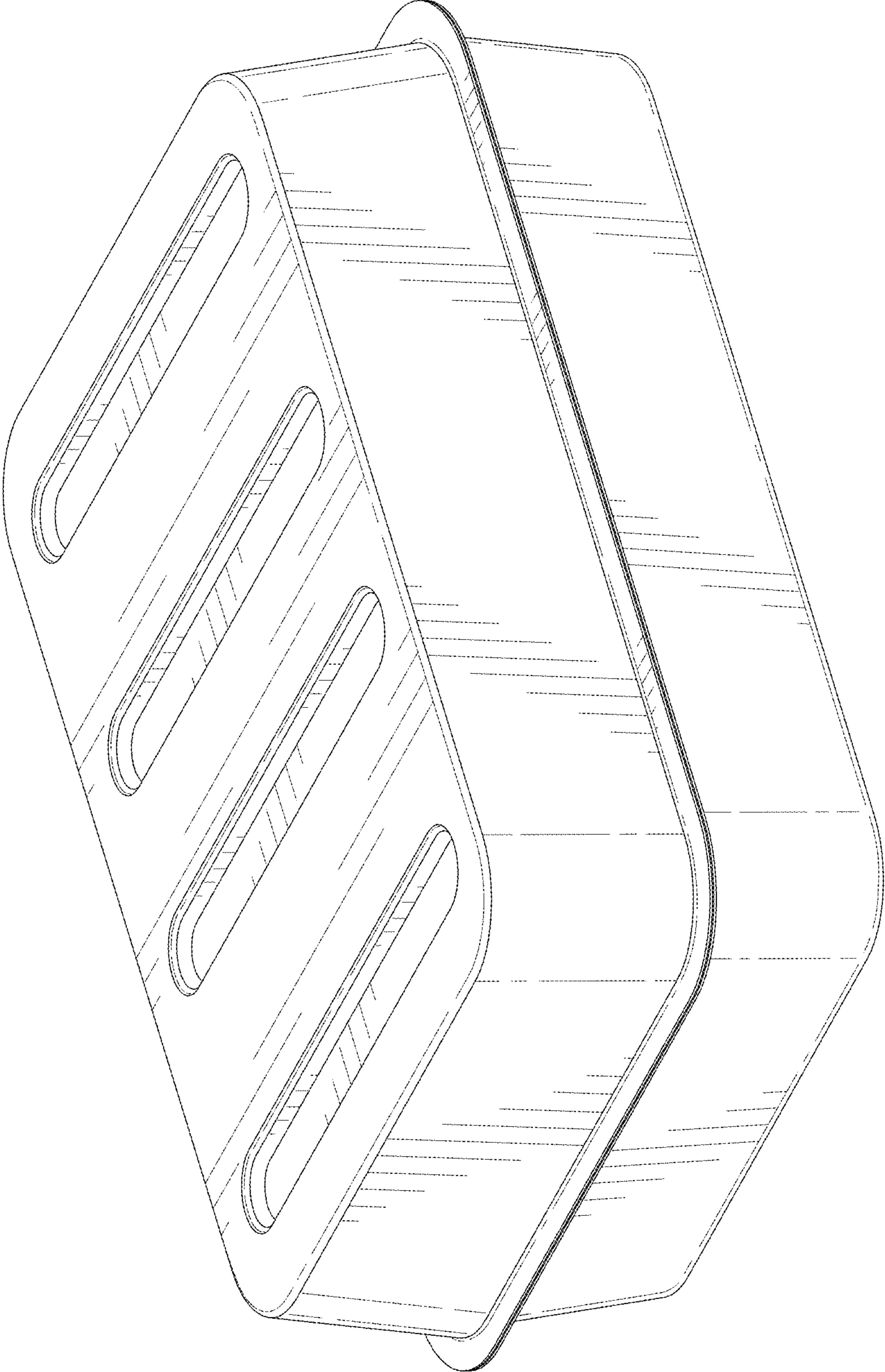


FIG. 1

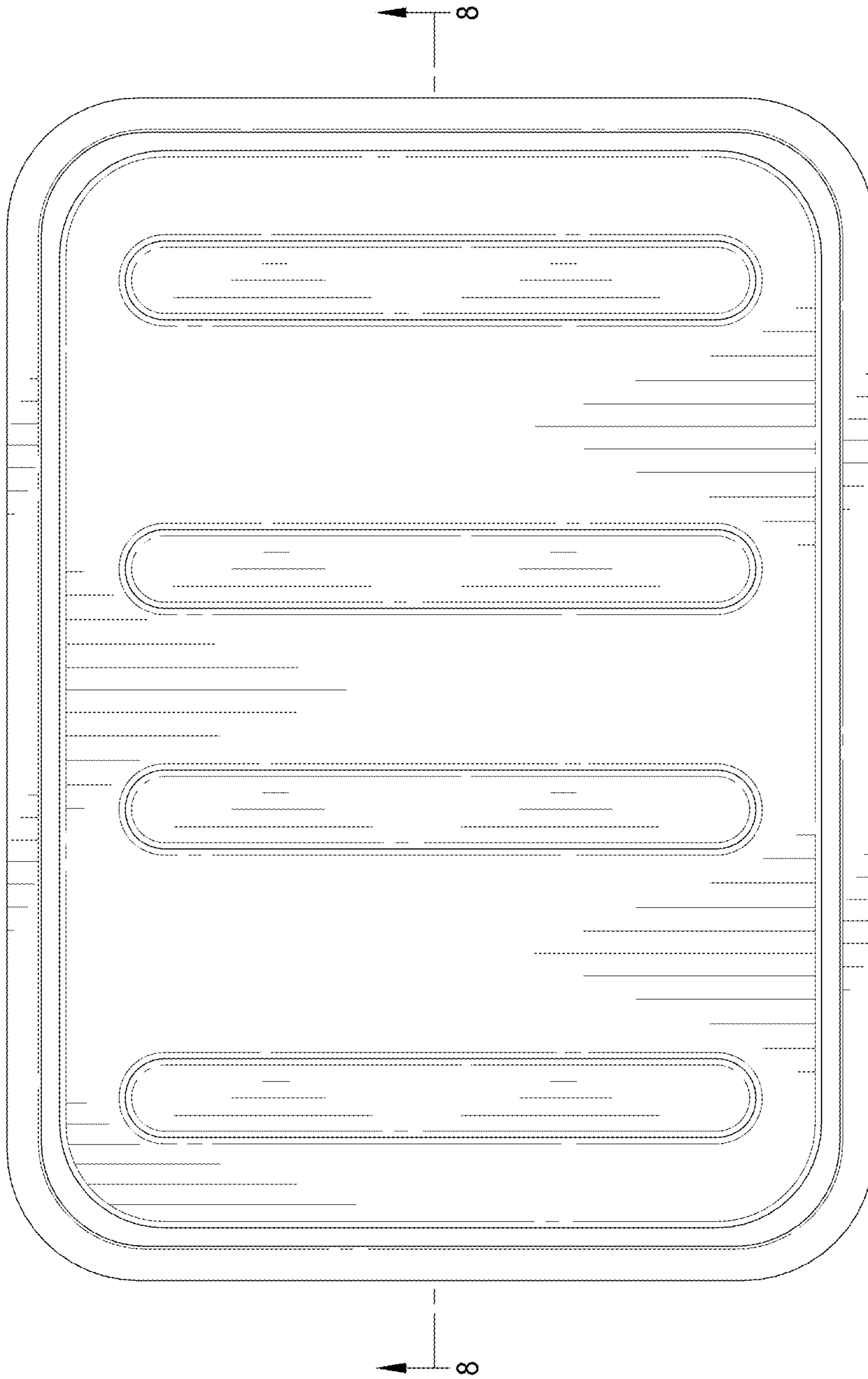


FIG. 2

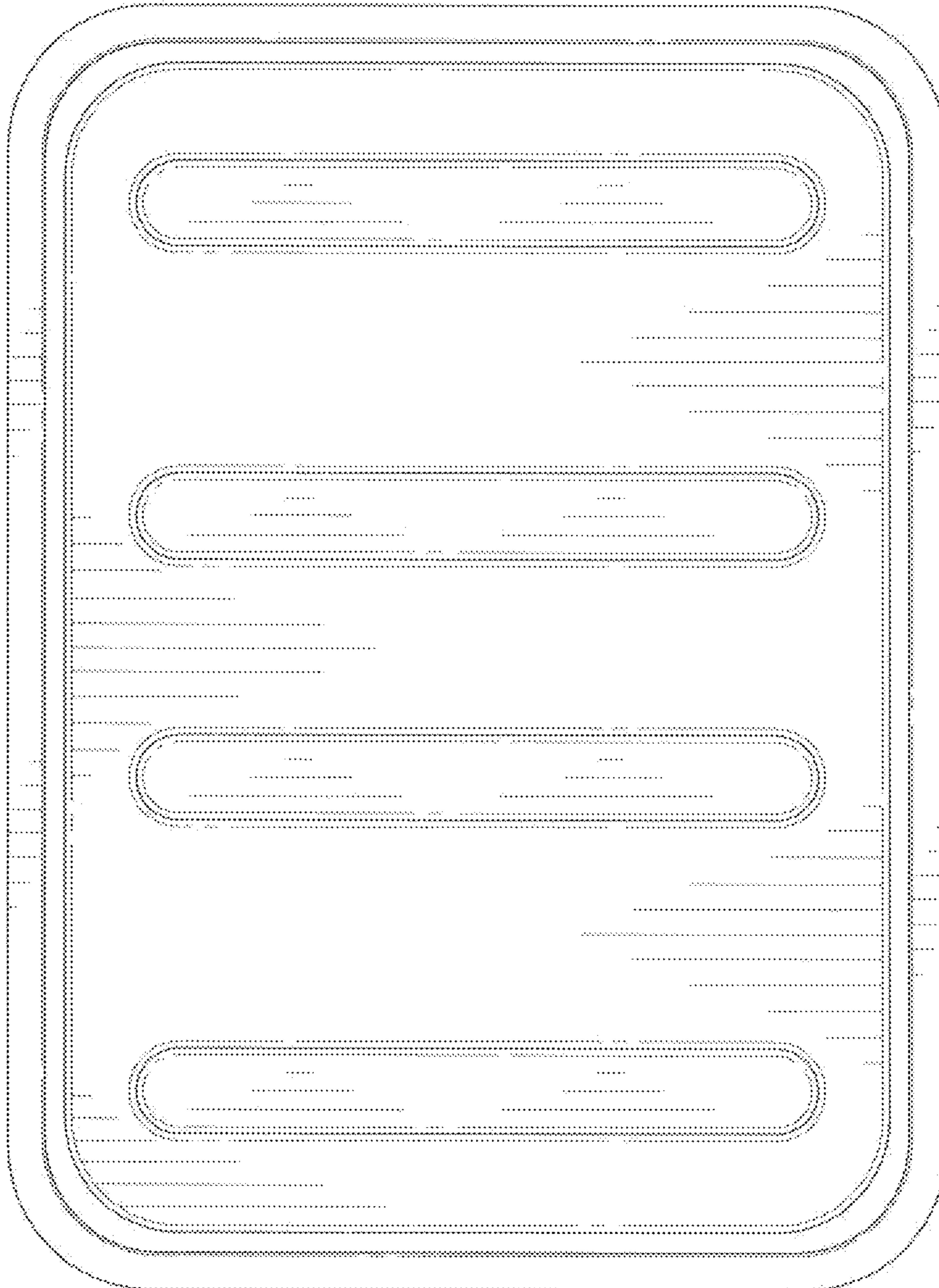


FIG. 3

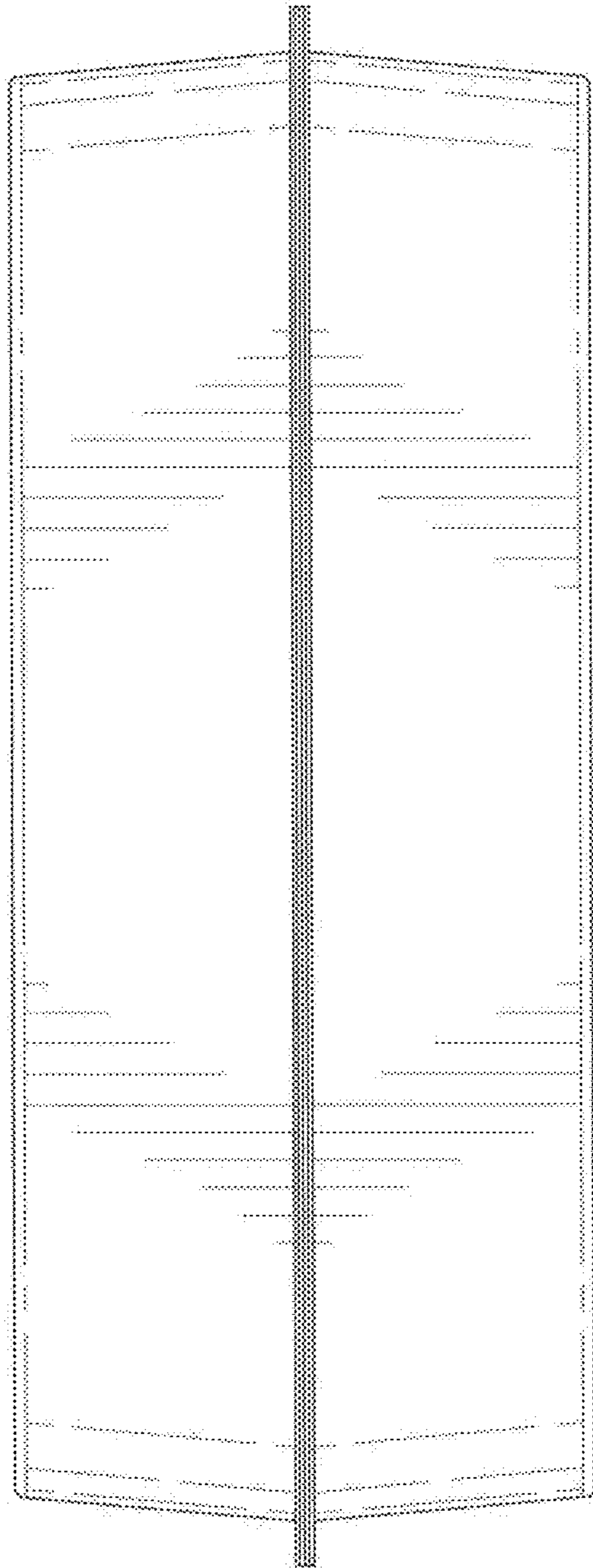


FIG. 4

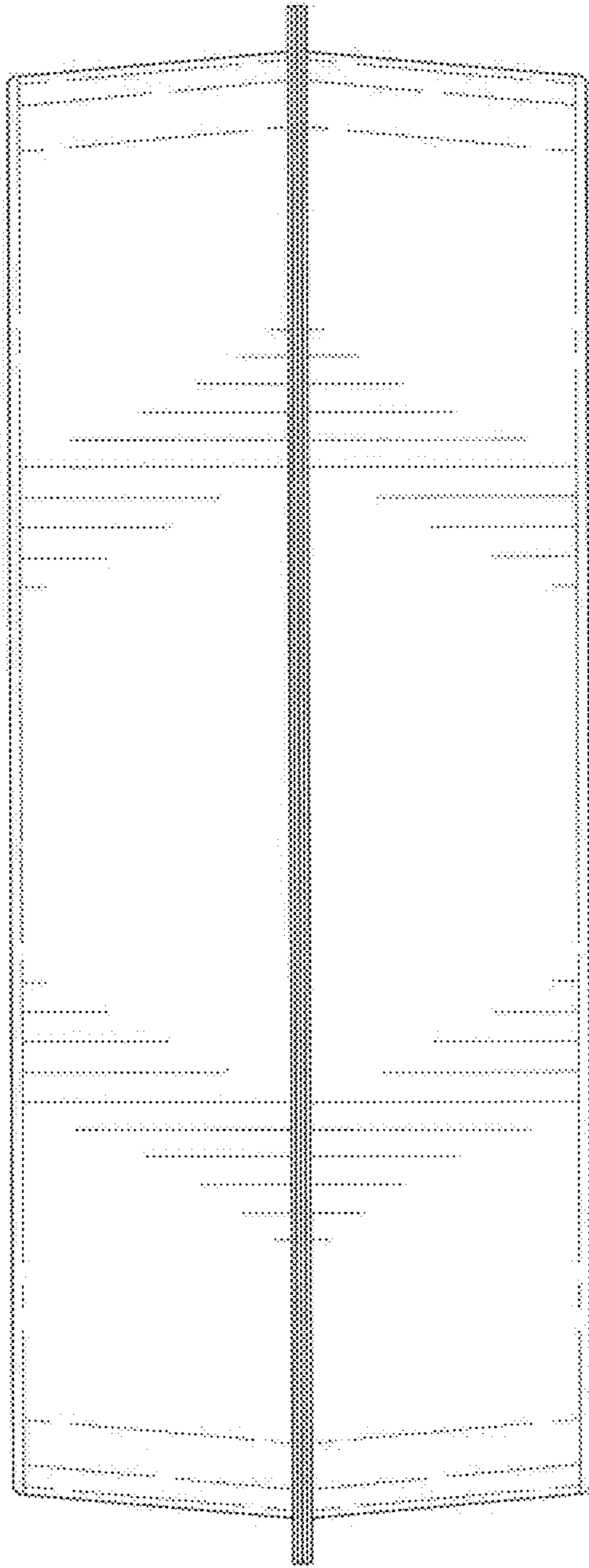


FIG. 5

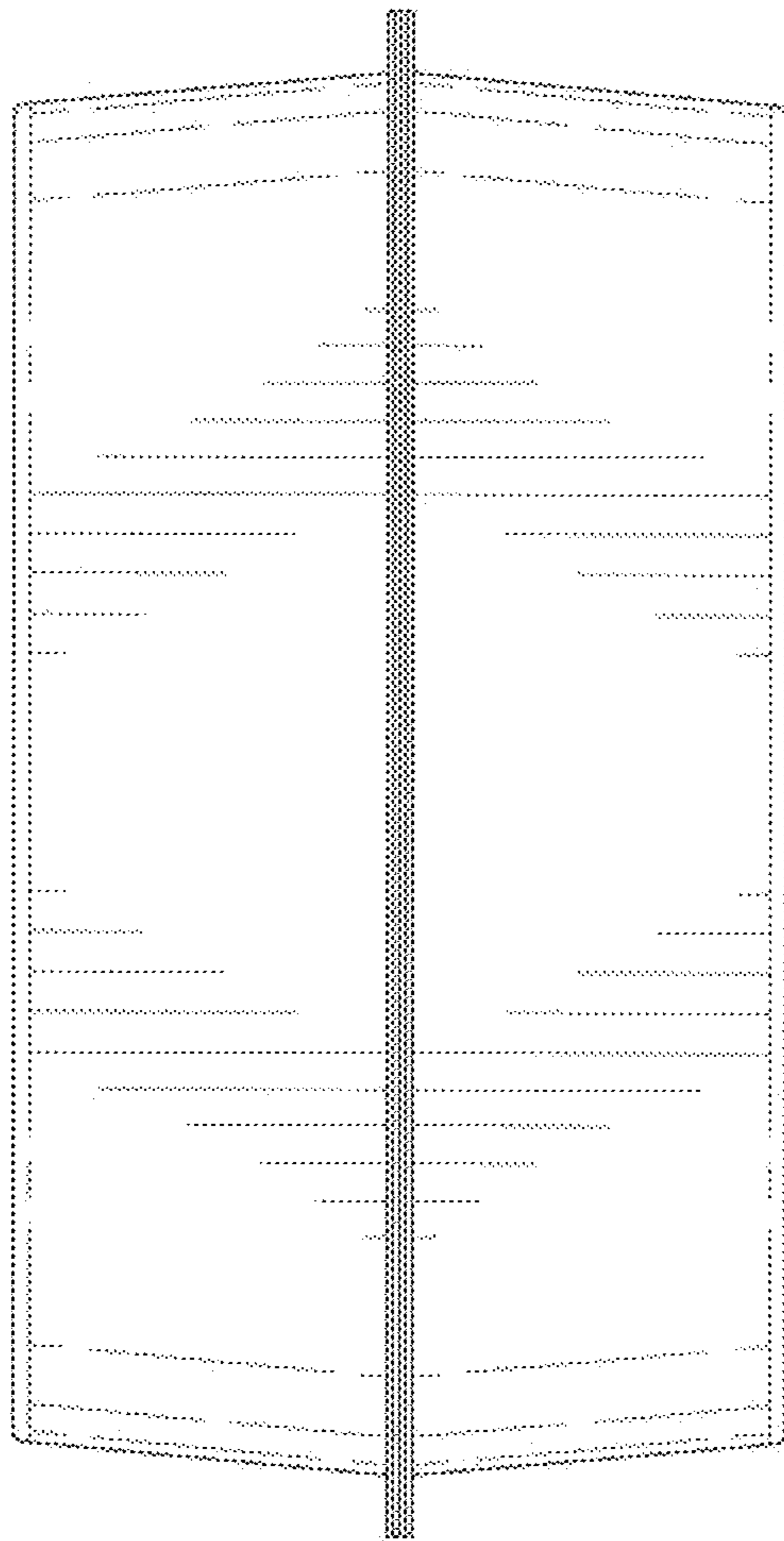


FIG. 6

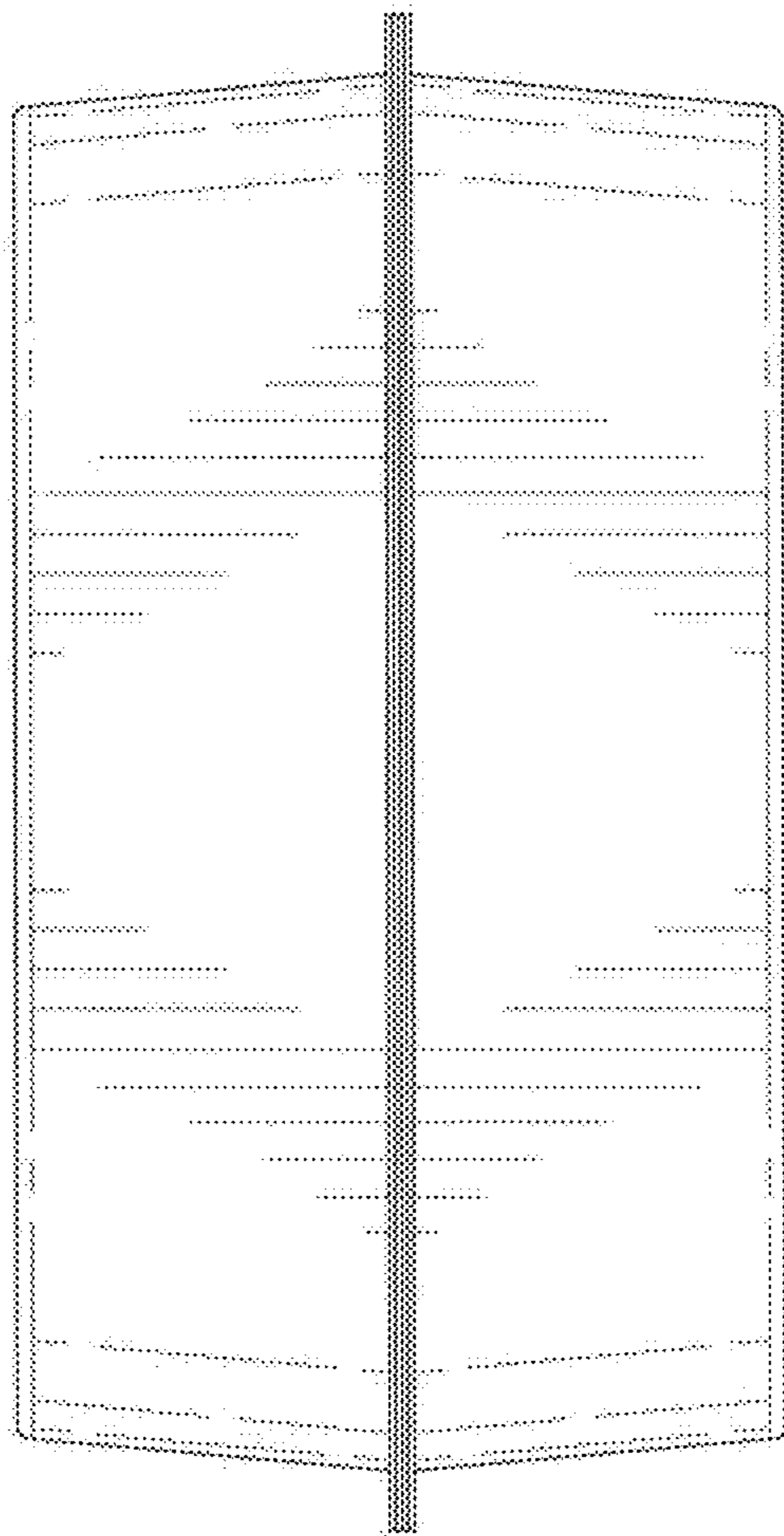


FIG. 7

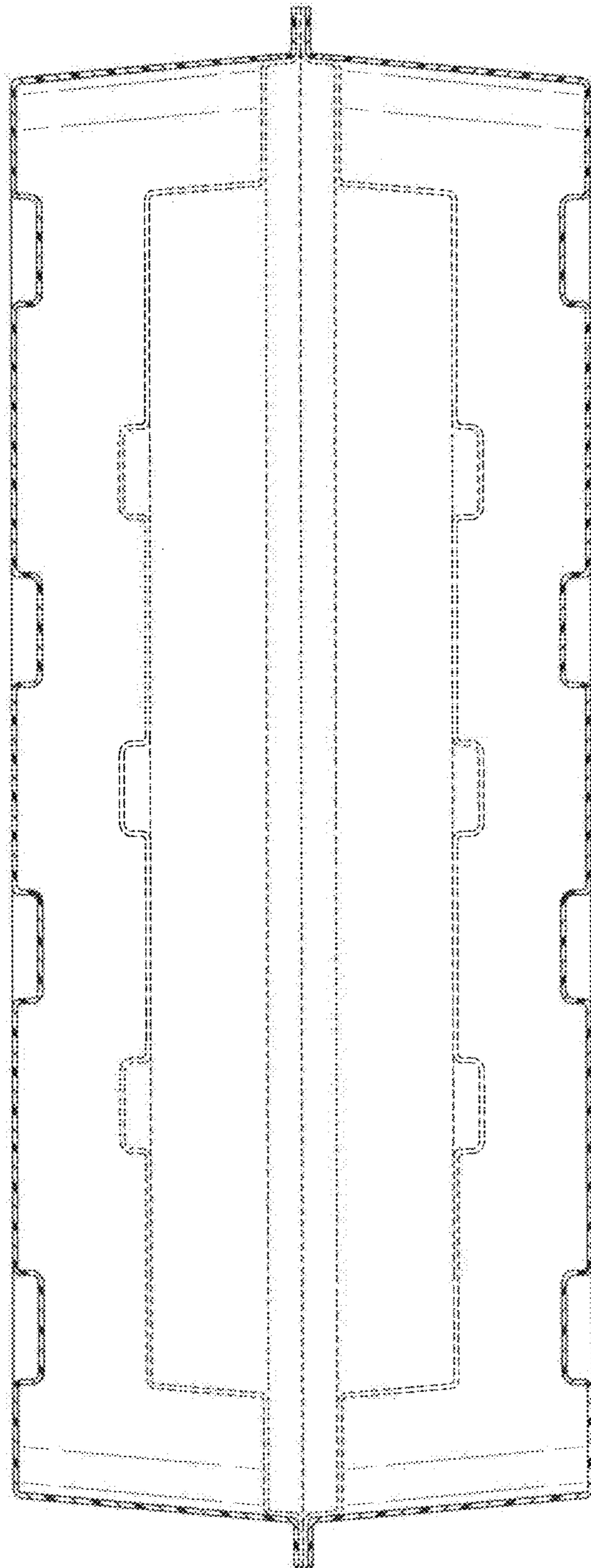


FIG. 8