



US00D942824S

(12) **United States Design Patent**
Bavar et al.

(10) **Patent No.:** **US D942,824 S**
(45) **Date of Patent:** **** Feb. 8, 2022**

(54) **TONGS**

FOREIGN PATENT DOCUMENTS

(71) Applicant: **Kaloud, Inc.**, Los Angeles, CA (US)

WO D211162-001 * 9/2020

(72) Inventors: **Reza Bavar**, Los Angeles, CA (US);
Skyler Olsen, Denver, CO (US)

OTHER PUBLICATIONS

(73) Assignee: **Kaloud, Inc.**, Los Angeles, CA (US)

Hookah-Shisha website, Kaloud Vestara Hookah Tongs, Publication date unknown, [site visited Jul. 3, 2021], Available on the Internet URL <https://www.hookah-shisha.com/p-25004-kaloud-vestara-hookah-tongs.html> (Year: 2021).*

(**) Term: **15 Years**

Kaloud website, Kaloud Vestara Argis, Publication date unknown, [site visited Jul. 3, 2021], Available on the Internet URL <https://kaloud.com/collections/vestara-tongs/products/kaloud-vestara-argis> (Year: 2021).*

(21) Appl. No.: **29/729,170**

(22) Filed: **Mar. 24, 2020**

(51) **LOC (13) Cl.** **07-06**

(52) **U.S. Cl.**
USPC **D7/686**

* cited by examiner

(58) **Field of Classification Search**
USPC D7/213, 372, 412, 683, 688, 689, 691,
D7/692, 693, 694, 695, 696
CPC B25B 9/00; A47J 43/283
See application file for complete search history.

Primary Examiner — S. Bryan Reinholdt, Jr.

(74) *Attorney, Agent, or Firm* — Myers Wolin, LLC

(57) **CLAIM**

The ornamental design for tongs, as shown and described.

(56) **References Cited**

DESCRIPTION

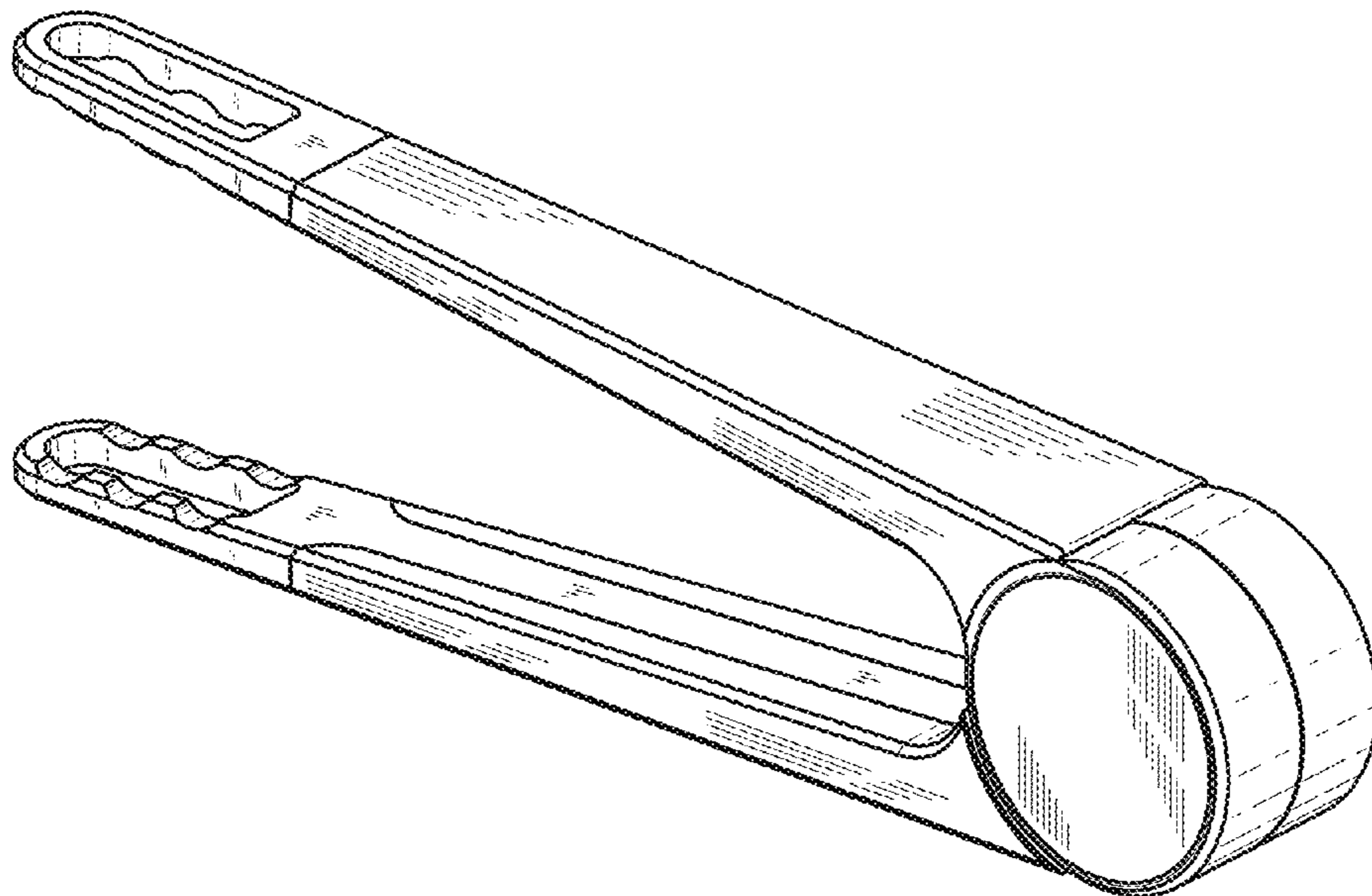
U.S. PATENT DOCUMENTS

D298,398 S *	11/1988	Trahar	D7/687
4,964,663 A *	10/1990	Jermyn	A61F 9/0061
				294/1.2
5,487,578 A *	1/1996	Williams	A61B 17/30
				294/99.2
D546,141 S *	7/2007	Broome	D7/686
D602,750 S *	10/2009	Holcomb	D7/672
D606,370 S *	12/2009	Araiza	D24/143
D774,857 S *	12/2016	Pendock	D8/52
D810,523 S *	2/2018	Gonzalez	D7/686
2009/0284031 A1 *	11/2009	Pavicsits	A47J 43/283
				294/16
2013/0049387 A1 *	2/2013	Lv	A47J 43/283
				294/106
2014/0319862 A1 *	10/2014	Ho	B25B 7/02
				294/99.2
2019/0261680 A1	8/2019	Bavar		

FIG. 1 is a right side view of tongs showing our new design; FIG. 2 is a bottom plan view thereof; FIG. 3 is a left view thereof; FIG. 4 is a top plan view thereof; FIG. 5 is a front view thereof; FIG. 6 is a back view thereof; FIG. 7 is a perspective view thereof; and, FIG. 8 is a cross-sectional view thereof taken along line 8-8 in FIG. 1.

The dash-dot-dash broken line in FIG. 1 depicts the cross-sectional cut line and forms no part of the claimed design. The dash-dot-dot-dash broken in FIGS. 5 and 8 illustrate a boundary of the the claim, and the dashed lines and the area within form no part thereof.

1 Claim, 5 Drawing Sheets



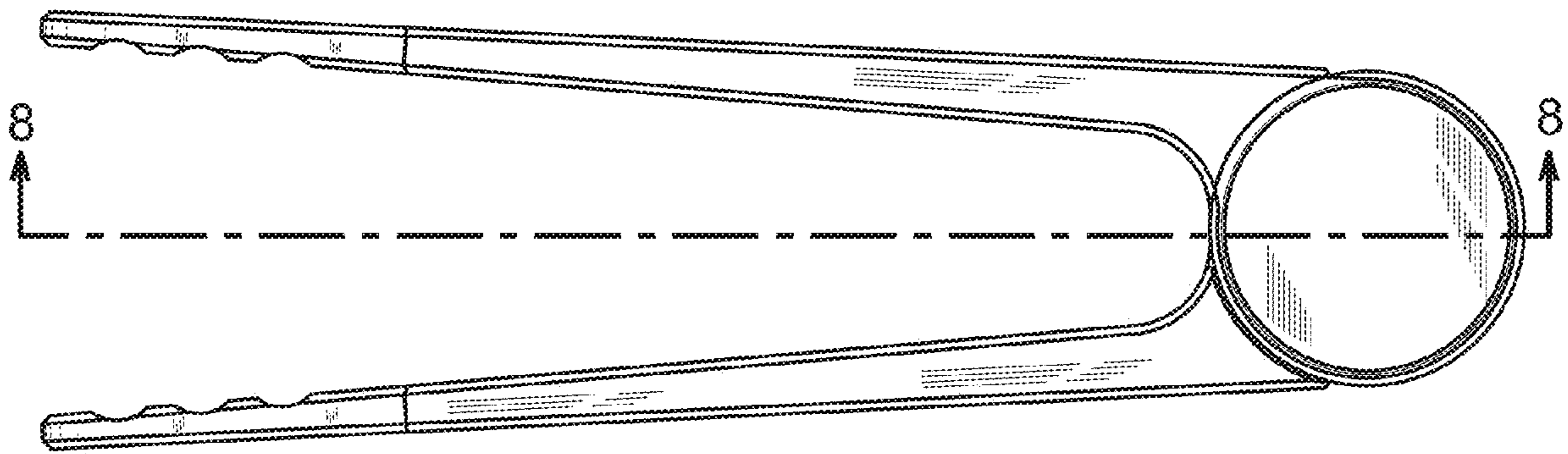


FIG.1

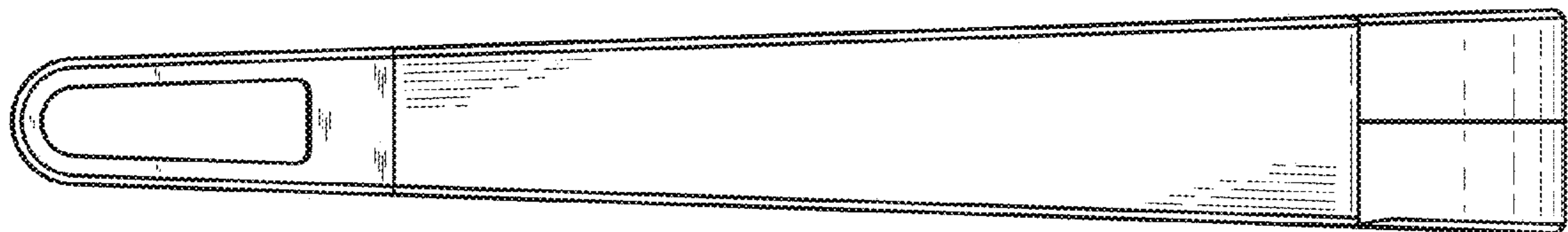


FIG.2

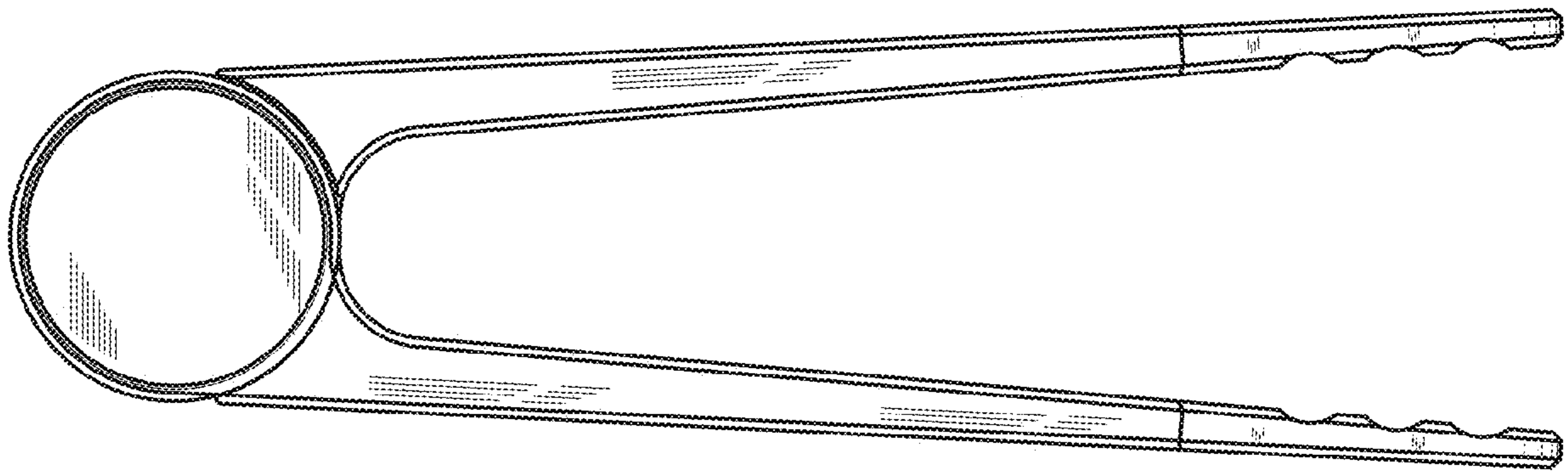


FIG.3

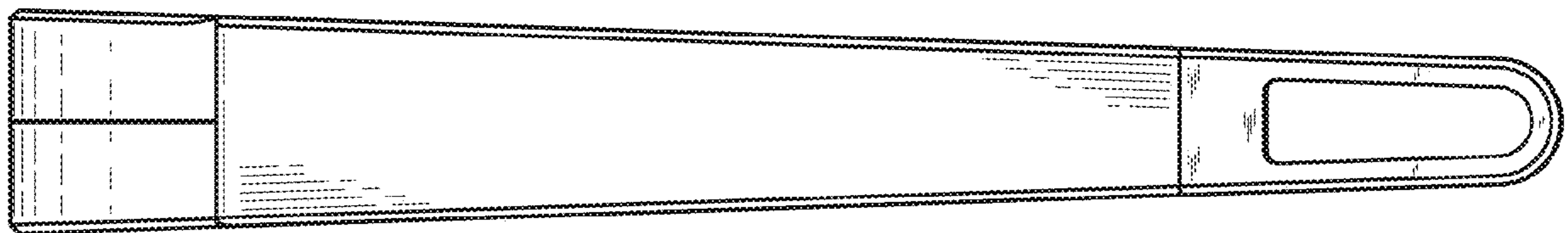


FIG.4

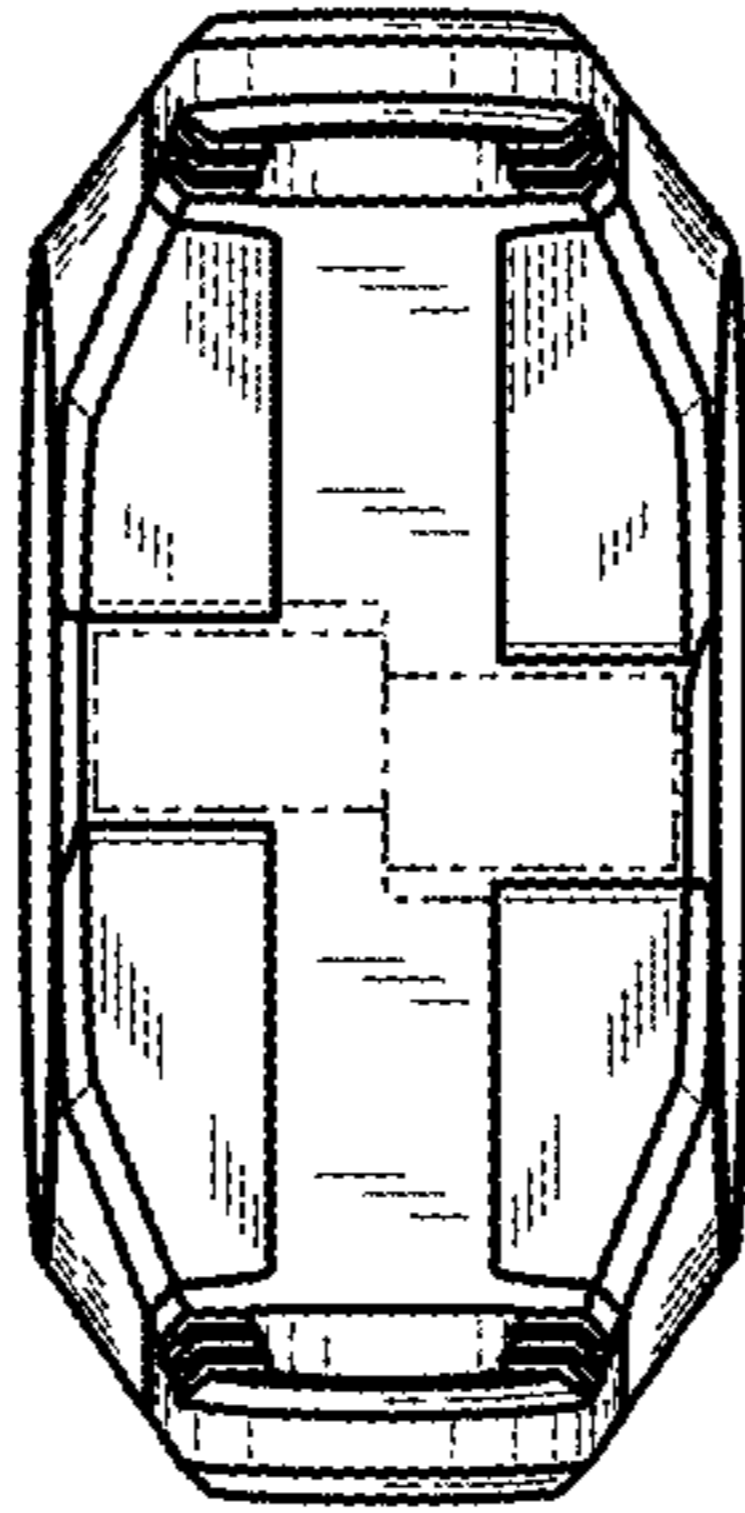


FIG. 5

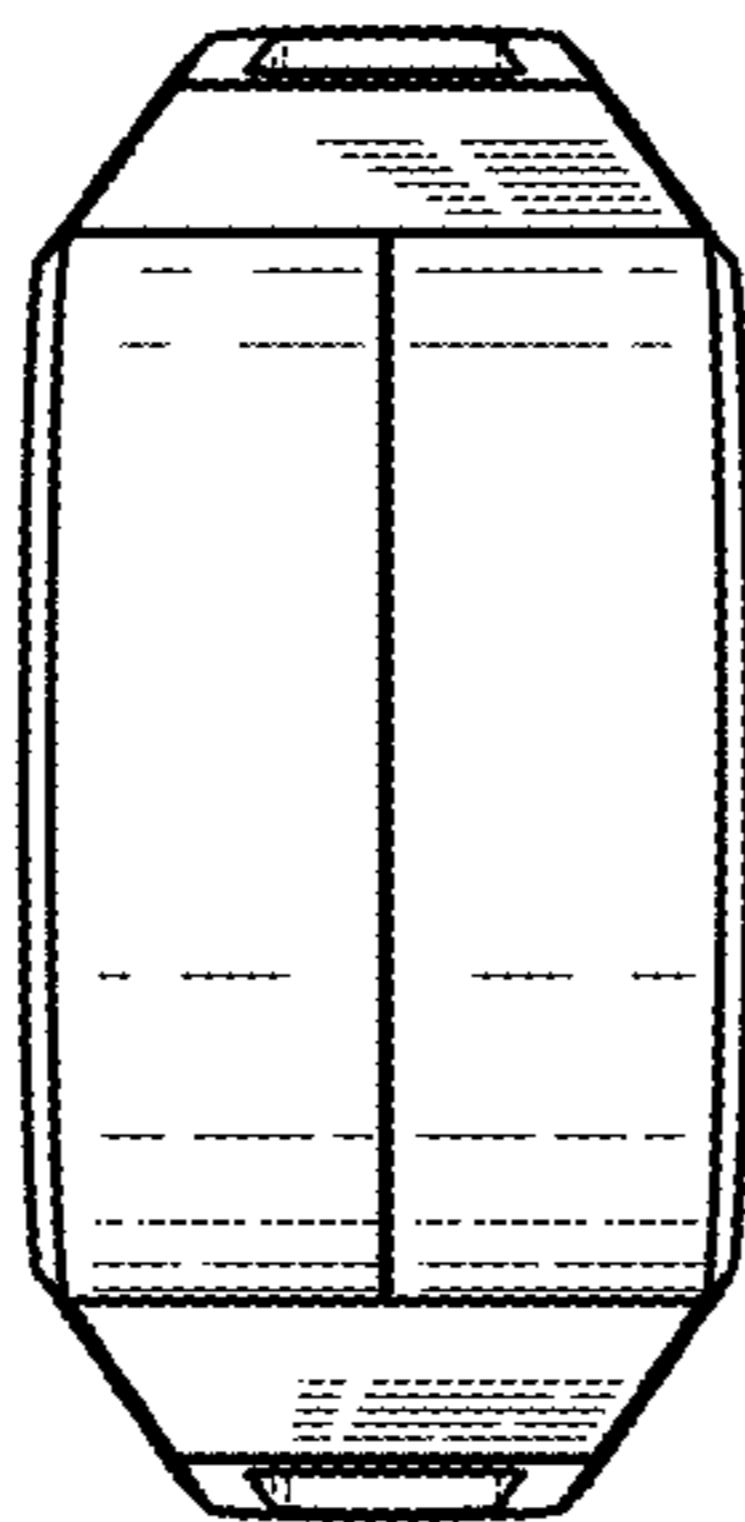


FIG. 6

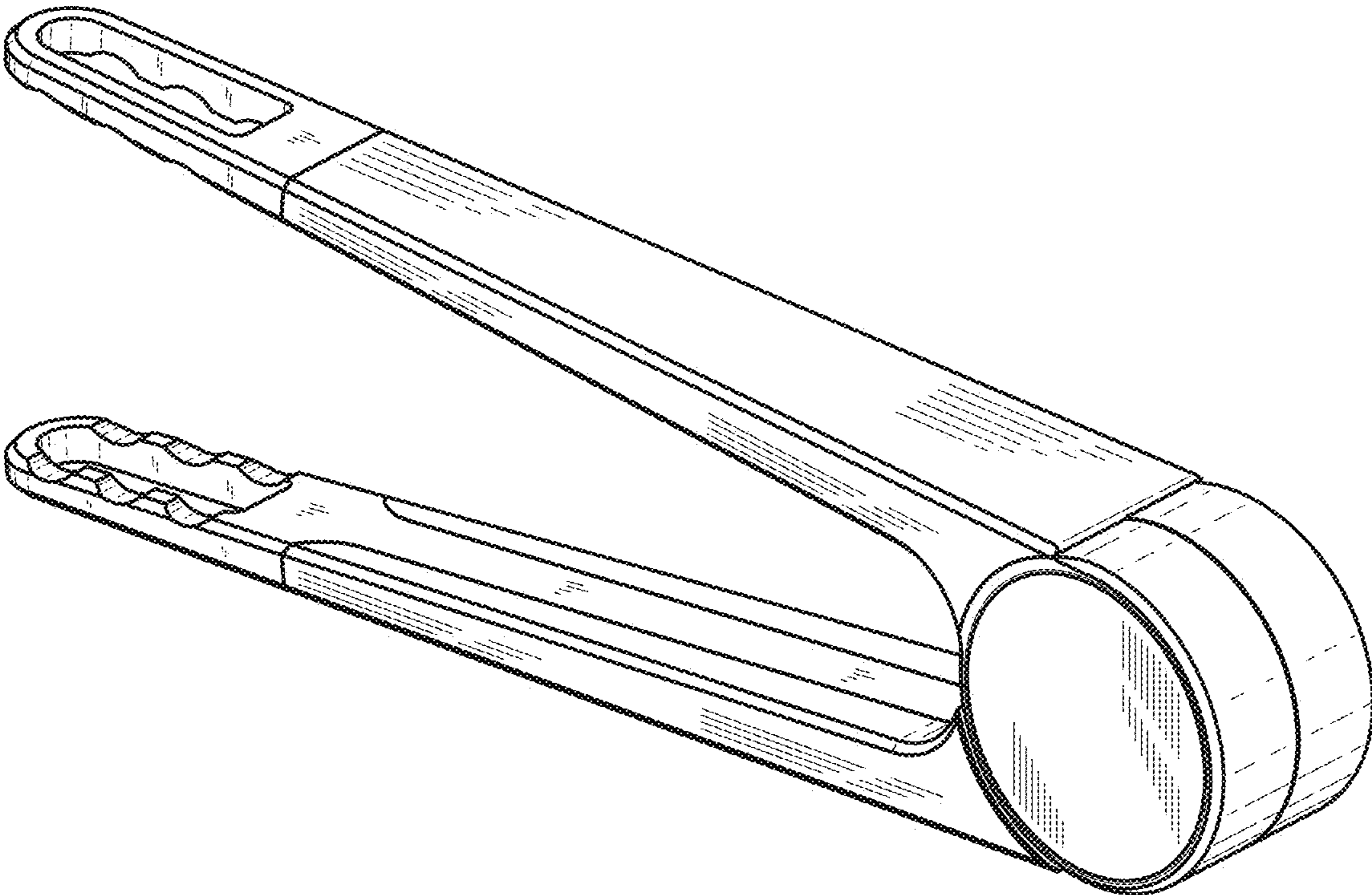


FIG.7

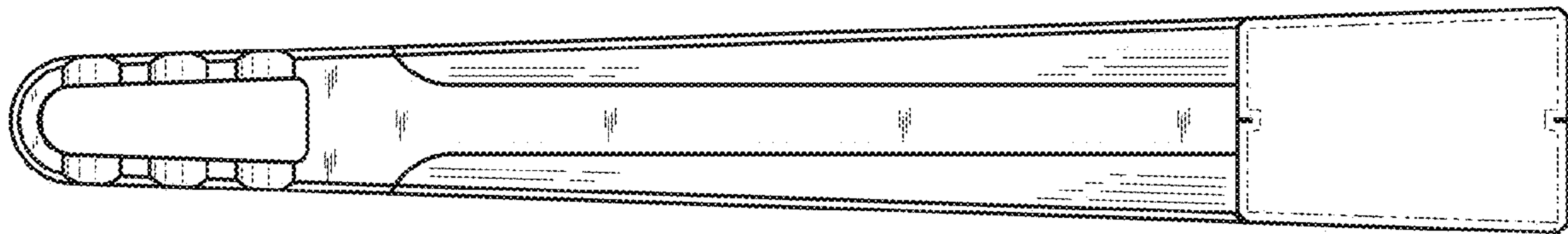


FIG.8