



US00D942823S

(12) **United States Design Patent** (10) **Patent No.:** **US D942,823 S**  
**Kwon et al.** (45) **Date of Patent:** **\*\* Feb. 8, 2022**

(54) **TONGS** 6,869,117 B1 \* 3/2005 Blum ..... A47G 21/10  
294/106  
(71) Applicant: **Helen of Troy Limited**, St. Michael D628,029 S \* 11/2010 Rothman ..... D7/686  
(BB) 10,188,239 B2 \* 1/2019 Knittig ..... F21V 33/0084  
2008/0054661 A1 \* 3/2008 Schneider ..... A47J 43/283  
294/99.2

(72) Inventors: **James Kwon**, Long Island City, NY  
(US); **Dzmitry Varhan**, Brooklyn, NY  
(US); **Sunny Kim**, Port Washington,  
NY (US); **Martin Mutch**, New York,  
NY (US)

(Continued)

**FOREIGN PATENT DOCUMENTS**

EM 008070320-0001 \* 8/2020  
GB 9008070320-0001 \* 8/2020

(73) Assignee: **Helen of Troy Limited**, St. Michael  
(BB)

**OTHER PUBLICATIONS**

(\*\*) Term: **15 Years**

Amazon website, OXO Good Grips Grilling Tools, Tongs and  
Turner Set, Date first available on Amazon Dec. 22, 2020, [site  
visited Jul. 8, 2021], Available on the Internet URL www.amazon.  
com/OXO-Grips-Grilling-Tools-Turner/dp/B08R6FMMD2 (Year:  
2020).\*

(21) Appl. No.: **29/723,174**

(22) Filed: **Feb. 5, 2020**

(51) **LOC (13) Cl.** ..... **07-06**

(52) **U.S. Cl.**  
USPC ..... **D7/686**

(58) **Field of Classification Search**  
USPC ..... D7/213, 372, 381, 412, 673, 683, 686,  
D7/688, 689, 691, 692, 693, 694, 695,  
D7/696

CPC ..... A47F 13/08; A47G 21/045; A47J 43/283;  
B65D 61/246; B26D 3/26; B26B 25/005  
See application file for complete search history.

*Primary Examiner* — S. Bryan Reinholdt, Jr.  
(74) *Attorney, Agent, or Firm* — Rankin, Hill & Clark  
LLP

(57) **CLAIM**

The ornamental design for tongs, as shown and described.

**DESCRIPTION**

FIG. 1 is a perspective view of a new, original and orna-  
mental design for tongs;  
FIG. 2 is a right side elevation view of FIG. 1;  
FIG. 3 is a left side elevation view of FIG. 1;  
FIG. 4 is a front elevation view of FIG. 1;  
FIG. 5 is a rear elevation view of FIG. 1;  
FIG. 6 is a top plan view of FIG. 1;  
FIG. 7 is a bottom plan view of FIG. 1;  
FIG. 8 is an enlarged view of FIG. 6; and,  
FIG. 9 is an enlarged view of FIG. 7.  
The broken lines in the drawings depict portions of the tongs  
that form no part of the claimed design.

(56) **References Cited**

**U.S. PATENT DOCUMENTS**

2,864,645 A \* 12/1958 Meldrum ..... A47J 43/283  
294/106  
D298,398 S \* 11/1988 Trahar ..... D7/687  
D313,537 S \* 1/1991 Chisholm ..... D7/686  
6,056,338 A \* 5/2000 Kerr ..... A47G 21/10  
294/106  
D459,954 S \* 7/2002 Wang ..... D7/686  
6,536,819 B2 \* 3/2003 Wang ..... A47G 21/10  
294/106  
D488,032 S \* 4/2004 Best ..... D7/686  
D496,229 S \* 9/2004 Kaposi ..... D7/686

**1 Claim, 4 Drawing Sheets**



(56)

**References Cited**

U.S. PATENT DOCUMENTS

2009/0284031 A1 \* 11/2009 Pavicsits ..... A47J 43/283  
294/16

\* cited by examiner

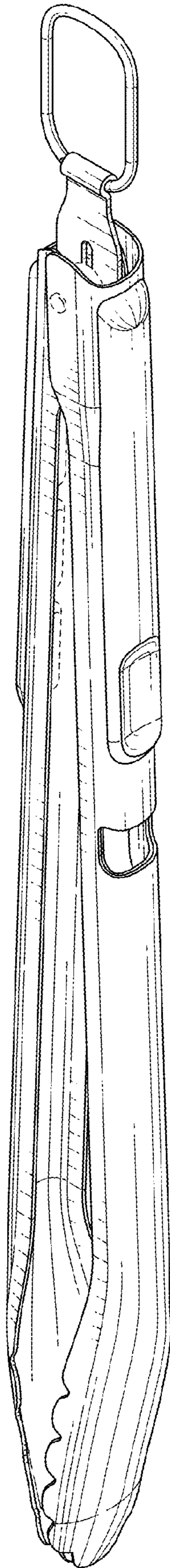


FIG. 1

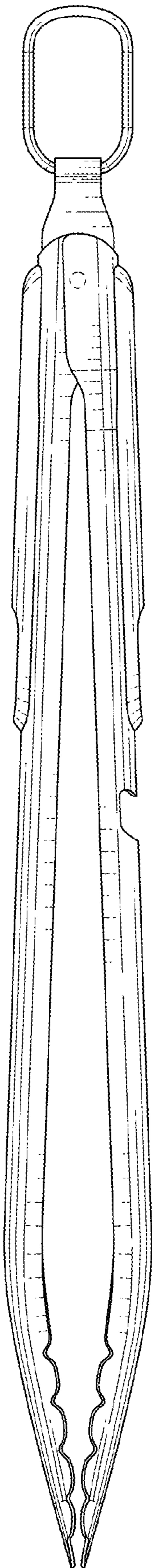


FIG. 2

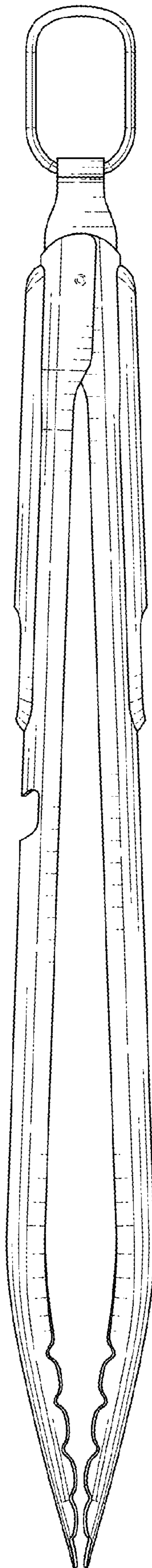


FIG. 3

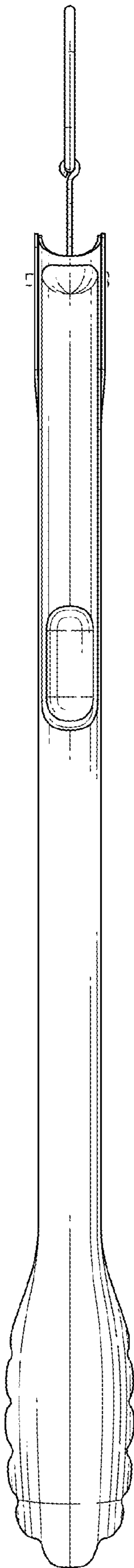


FIG. 4

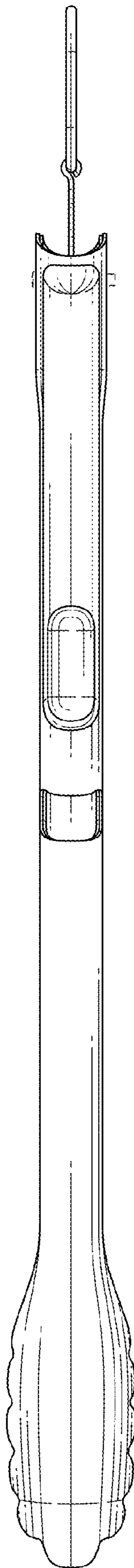


FIG. 5

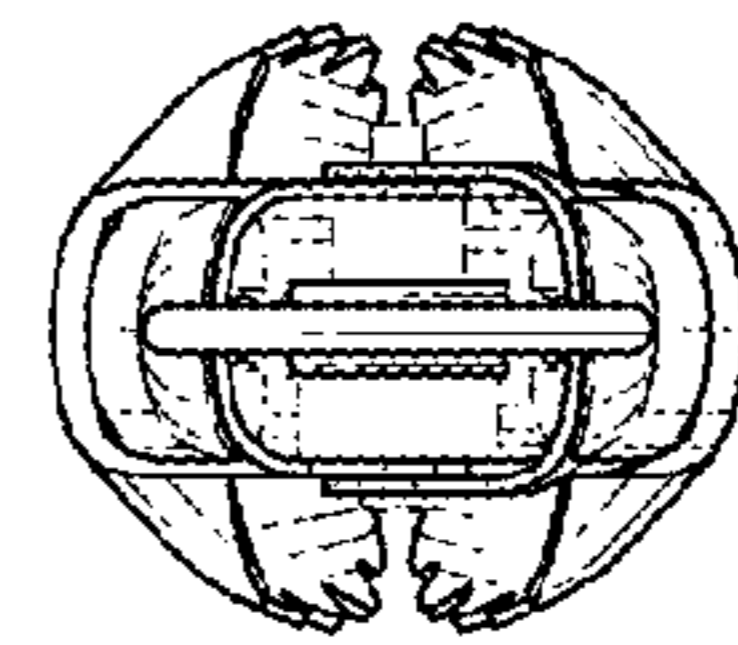


FIG. 6

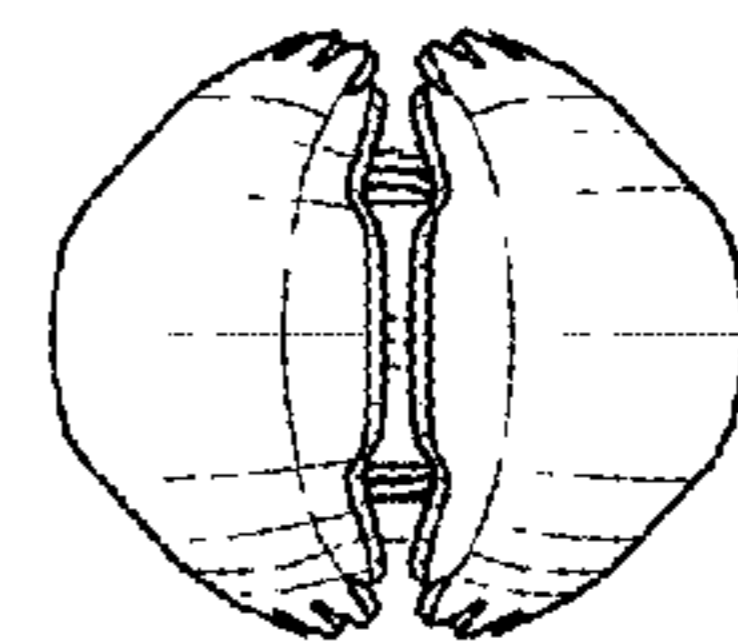


FIG. 7

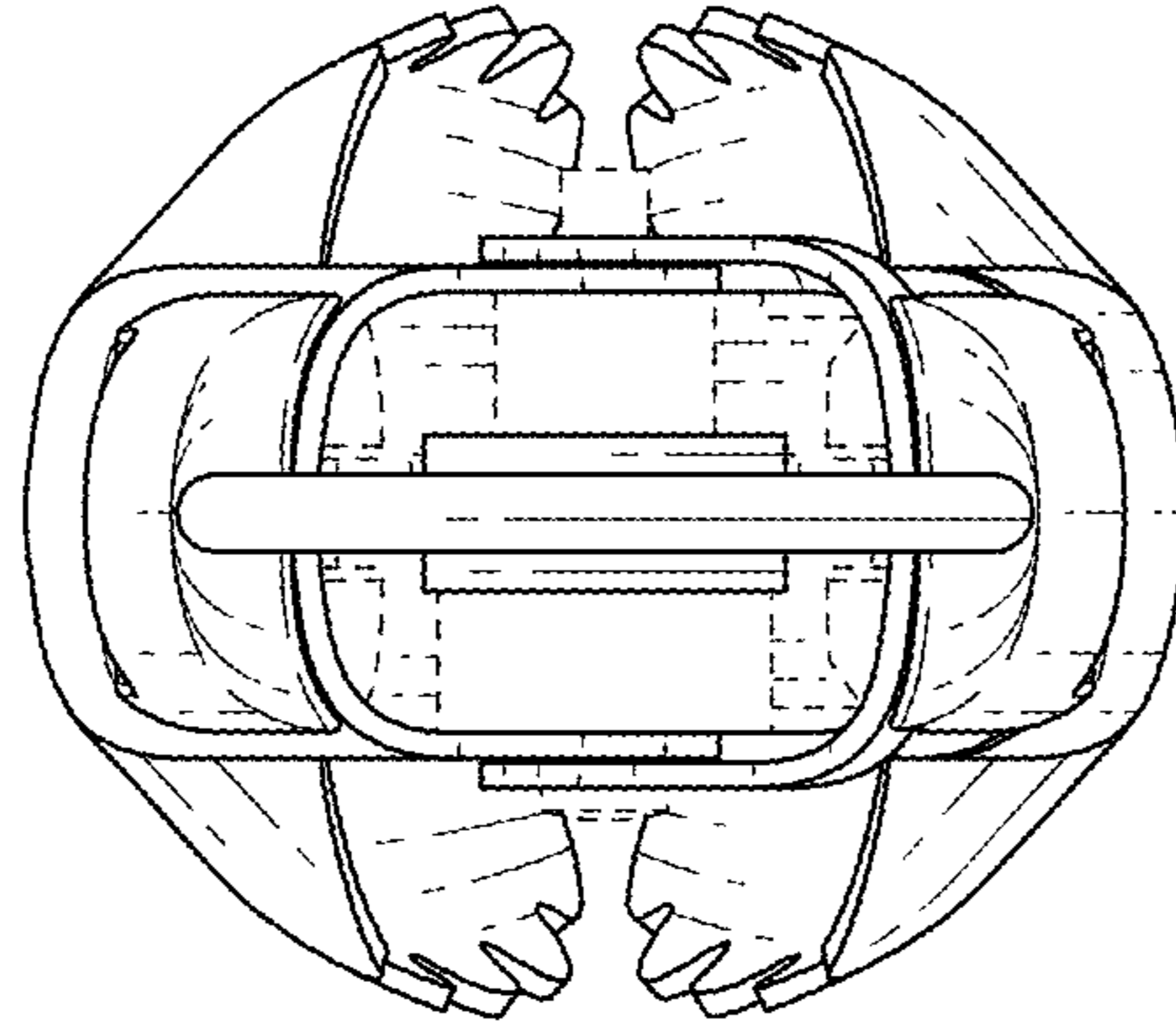


FIG. 8

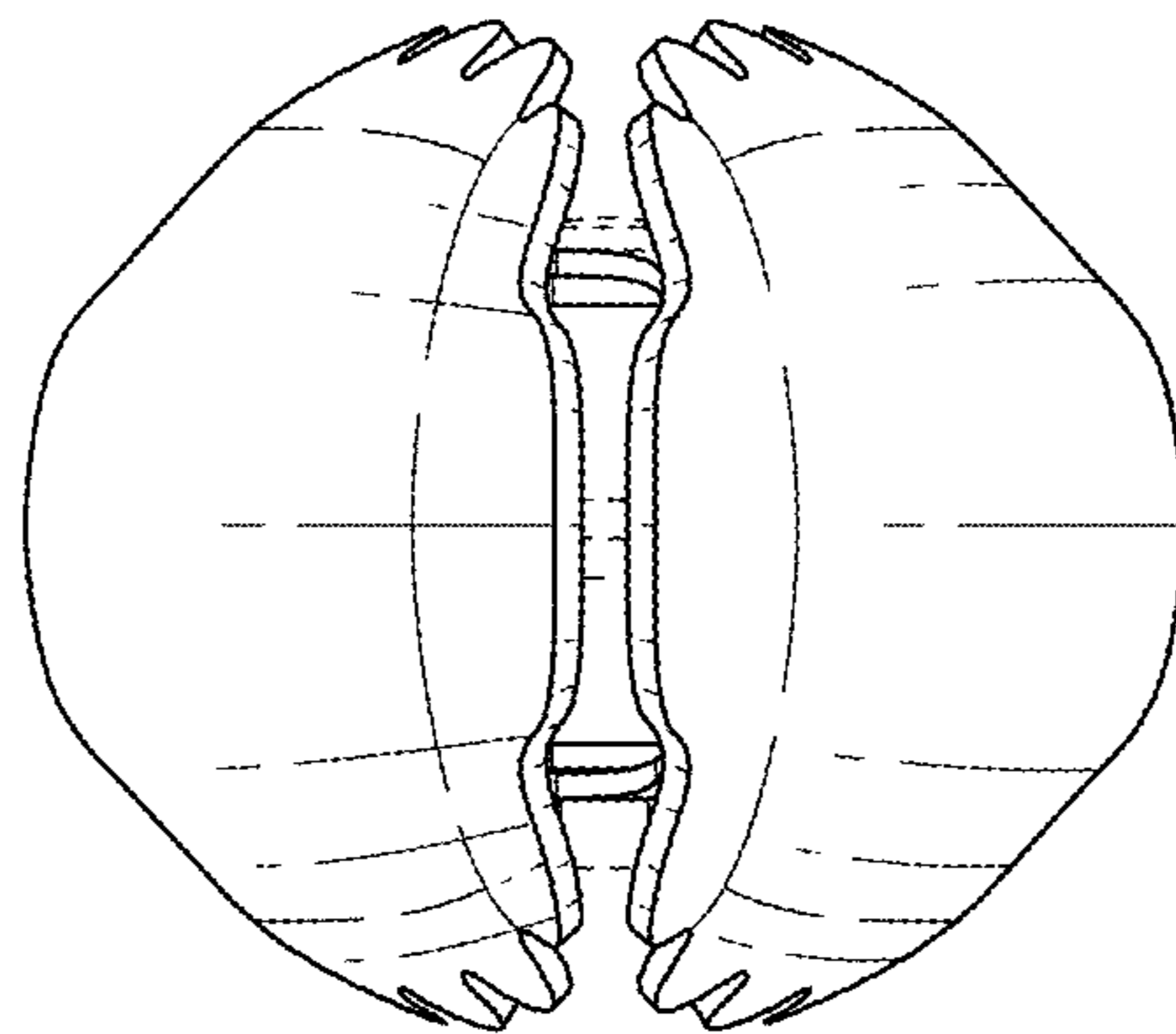


FIG. 9