



US00D942820S

(12) **United States Design Patent**  
**Klipshtein**

(10) **Patent No.:** **US D942,820 S**

(45) **Date of Patent:** **\*\* Feb. 8, 2022**

- (54) **MEATBALL MAKER**
- (71) Applicant: **Hutzler Manufacturing Co., Inc.**,  
Canaan, CT (US)
- (72) Inventor: **Guy Klipshtein**, Givatayim (IL)
- (73) Assignee: **Hutzler Manufacturing Co., Inc.**,  
Canaan, CT (US)
- (\*\*) Term: **15 Years**
- (21) Appl. No.: **29/724,135**
- (22) Filed: **Feb. 12, 2020**
- (51) **LOC (13) Cl.** ..... **07-04**
- (52) **U.S. Cl.**  
USPC ..... **D7/674**
- (58) **Field of Classification Search**  
USPC ..... D7/368, 395, 644, 672, 674, 681, 683,  
D7/684, 685, 686, 687, 691  
CPC ..... A47J 9/007; A47G 21/10; A47G 21/02;  
A23G 9/04; A23G 9/28; A22C 7/00;  
A22C 7/0046; A22C 7/0076; B25B 7/22;  
B25B 7/00  
See application file for complete search history.

- 3,208,404 A \* 9/1965 Schlessel ..... A47J 43/282  
425/285
- 4,150,459 A \* 4/1979 Siclari ..... A22C 7/0015  
425/279
- 4,859,168 A \* 8/1989 Calder ..... A47J 43/282  
425/284
- D342,002 S \* 12/1993 Sage ..... D8/52
- 5,590,590 A \* 1/1997 Zammit ..... A47J 43/286  
100/110
- D417,121 S \* 11/1999 Brunianyn ..... D7/395
- D419,037 S \* 1/2000 Gardner ..... D7/672
- D431,974 S \* 10/2000 Hay ..... D7/686
- D457,789 S \* 5/2002 Rowe ..... D7/686
- D468,909 S \* 1/2003 Libman ..... D4/138

(Continued)

*Primary Examiner* — George D. Kirschbaum  
*Assistant Examiner* — Darryl J Dardenne  
 (74) *Attorney, Agent, or Firm* — Patent Technologies,  
 LLC; Robert D. Gunderman, Jr.

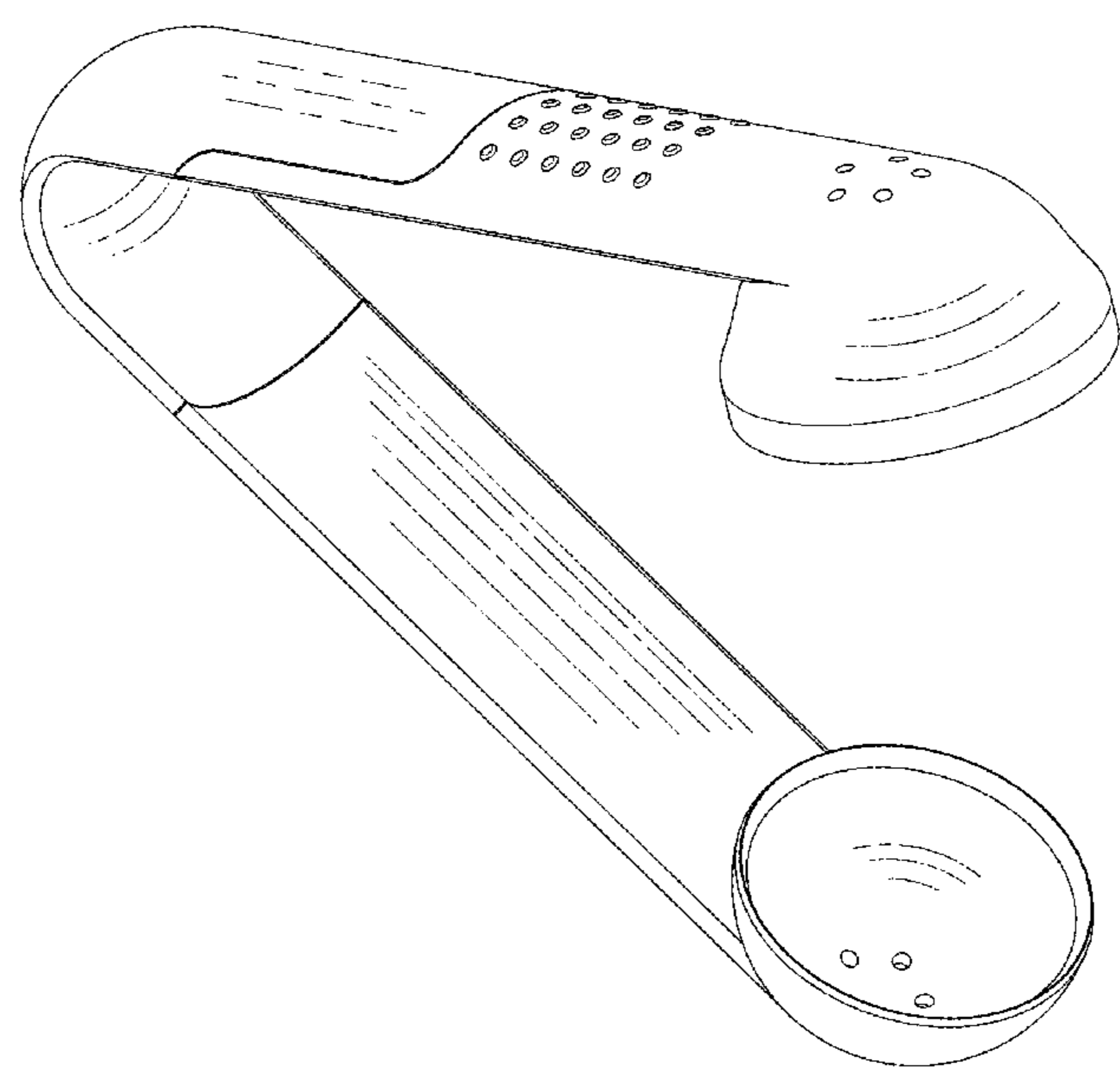
(57) **CLAIM**  
 The ornamental design for a meatball maker, as shown and  
 described.

**DESCRIPTION**

FIG. 1 is a perspective view of a meatball maker showing  
 my new design;  
 FIG. 2 is a rotated perspective view of the meatball maker  
 of FIG. 1;  
 FIG. 3 is a first side plan view of the meatball maker of FIG.  
 1;  
 FIG. 4 is a second side plan view of the meatball maker of  
 FIG. 1;  
 FIG. 5 is a third side plan view of the meatball maker of FIG.  
 1;  
 FIG. 6 is a fourth side plan view of the meatball maker of  
 FIG. 1;  
 FIG. 7 is a rear view of the meatball maker of FIG. 1; and,  
 FIG. 8 is a front view of the meatball maker of FIG. 1.

**1 Claim, 8 Drawing Sheets**

- (56) **References Cited**  
 U.S. PATENT DOCUMENTS
- 436,818 A \* 9/1890 Wyatt ..... A47J 43/20  
425/318
- 1,584,757 A \* 5/1926 Dow ..... A47J 43/282  
425/278
- 2,173,760 A \* 9/1939 Moran ..... A47J 43/20  
425/318
- 2,949,629 A \* 8/1960 Falco ..... A47J 43/282  
425/278
- 2,957,199 A \* 10/1960 Bentley ..... A22C 7/0015  
425/278
- 3,004,283 A \* 10/1961 Vanstrom ..... A22C 7/0046  
249/157



(56)

**References Cited**

U.S. PATENT DOCUMENTS

D505,599	S *	5/2005	Fiedeler	.....	D7/686
D518,687	S *	4/2006	Baker	.....	D24/143
D533,035	S *	12/2006	Bodum	.....	D7/686
D546,141	S *	7/2007	Broome	.....	D7/686
D581,227	S *	11/2008	Pinkston	.....	D7/686
D629,650	S *	12/2010	Funka, Jr.	.....	D7/401.2
7,845,081	B1 *	12/2010	Shultz	.....	A47J 25/00 30/113.2
8,100,450	B2 *	1/2012	Mithal	.....	A47G 21/10 294/99.2
D660,101	S *	5/2012	Serrano	.....	D7/685
D660,141	S *	5/2012	Zemel	.....	D8/395
D722,848	S *	2/2015	Li	.....	D8/51
D741,676	S *	10/2015	Li	.....	D8/52
D792,174	S *	7/2017	Galik	.....	D7/686
10,888,198	B2 *	1/2021	Armstrong	.....	A47J 43/28
2001/0033083	A1 *	10/2001	Kaposi	.....	A47J 43/283 294/99.2
2009/0179442	A1 *	7/2009	Mithal	.....	B29C 45/2708 294/16
2017/0209002	A1 *	7/2017	Scarpati	.....	A47J 43/22
2020/0288914	A1 *	9/2020	Paches	.....	A47J 43/14

\* cited by examiner

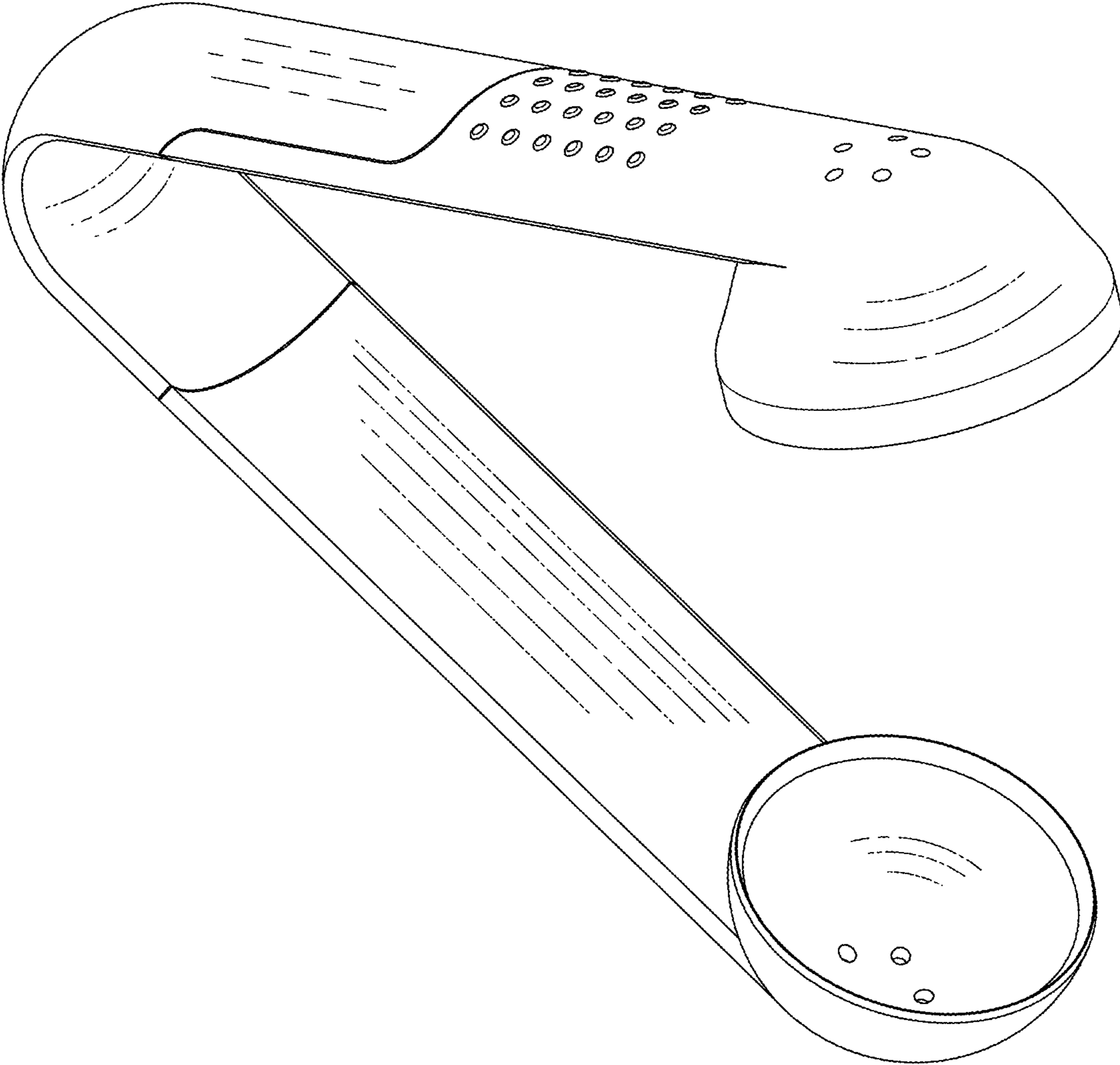


Fig. 1

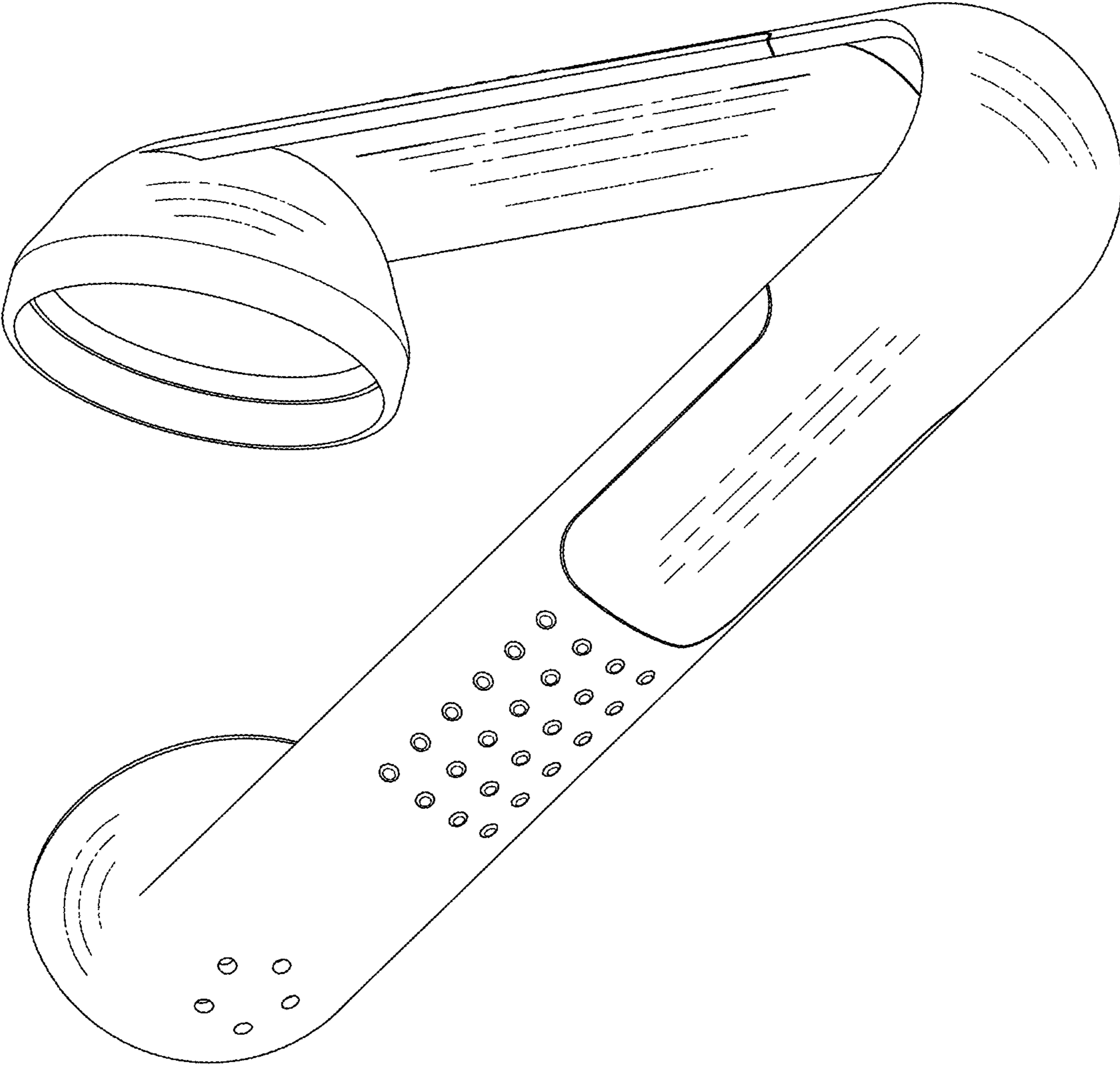


Fig. 2

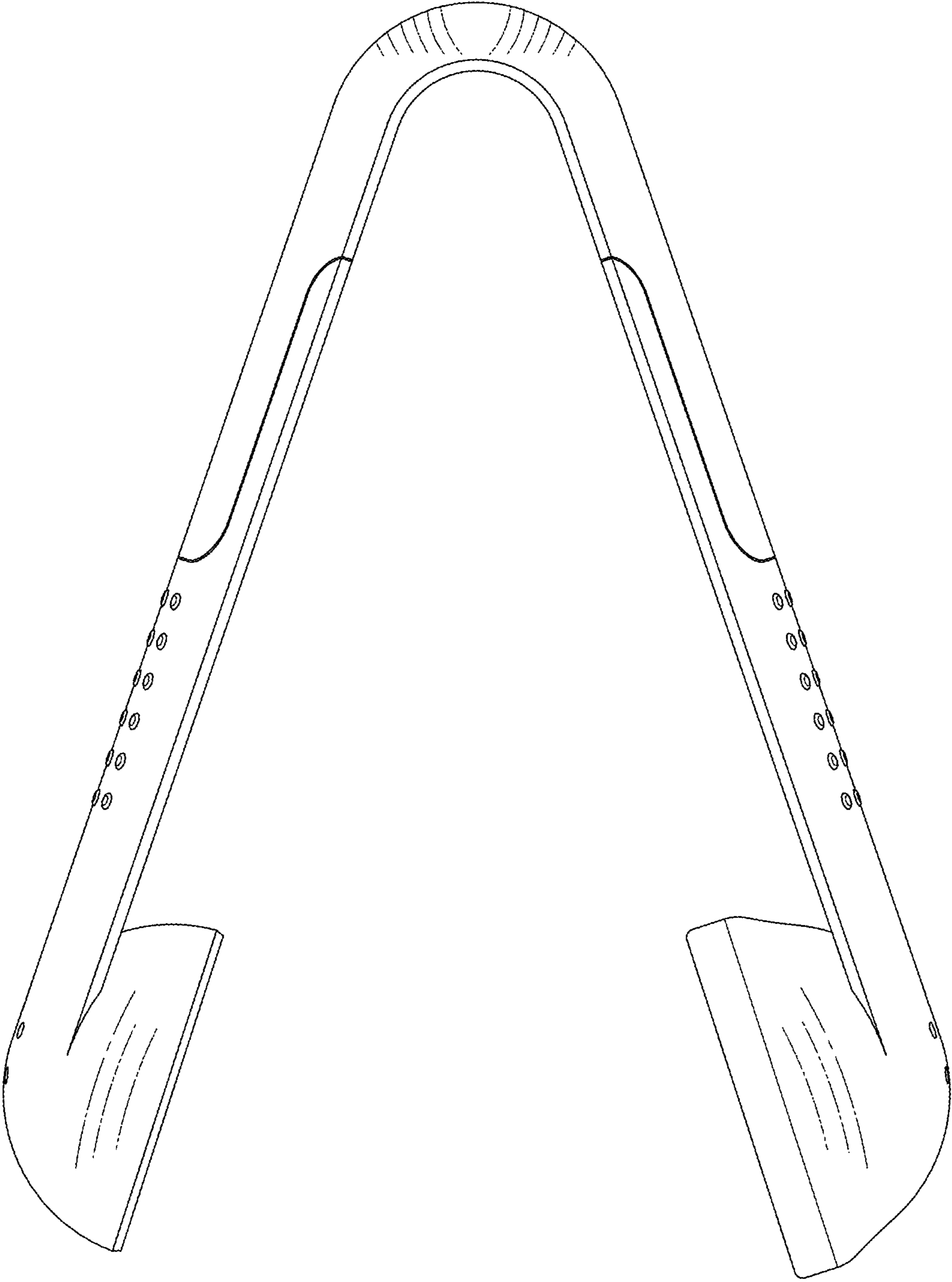


Fig. 3



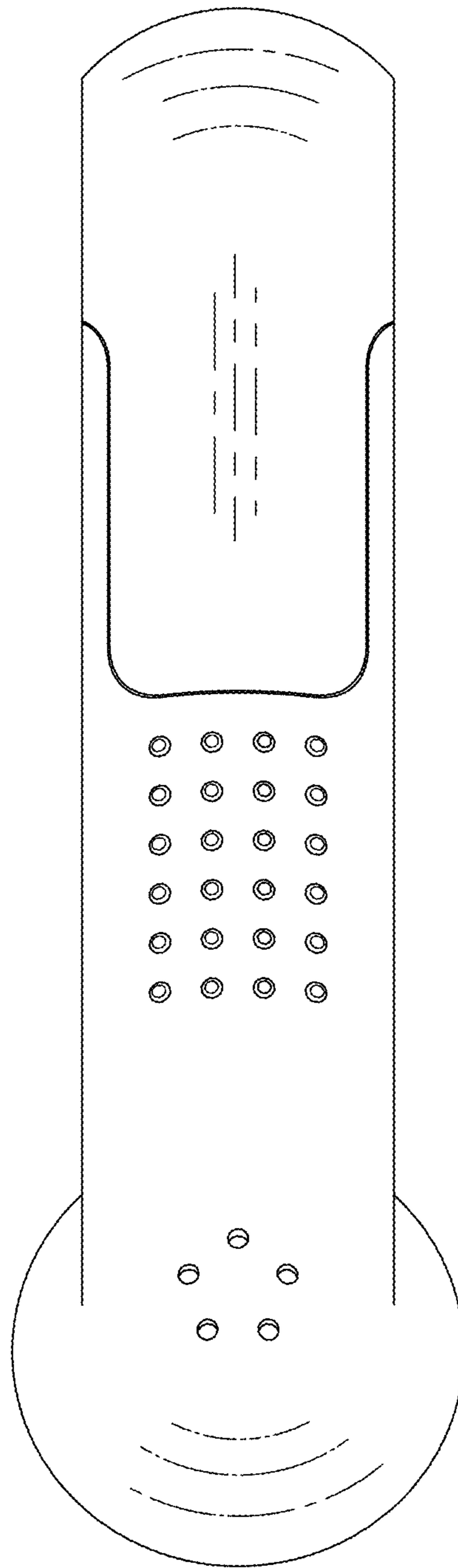


Fig. 4

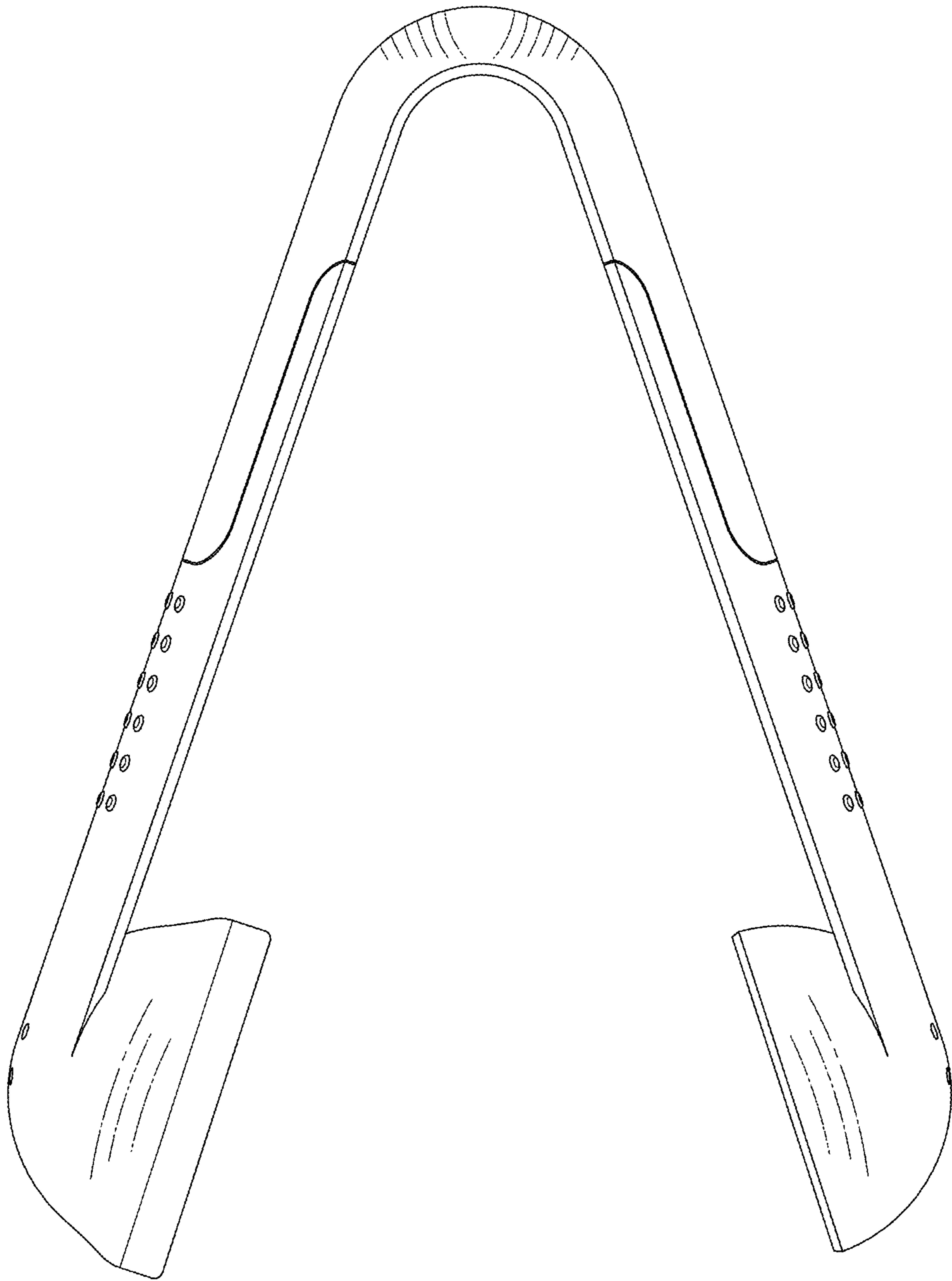


Fig. 5

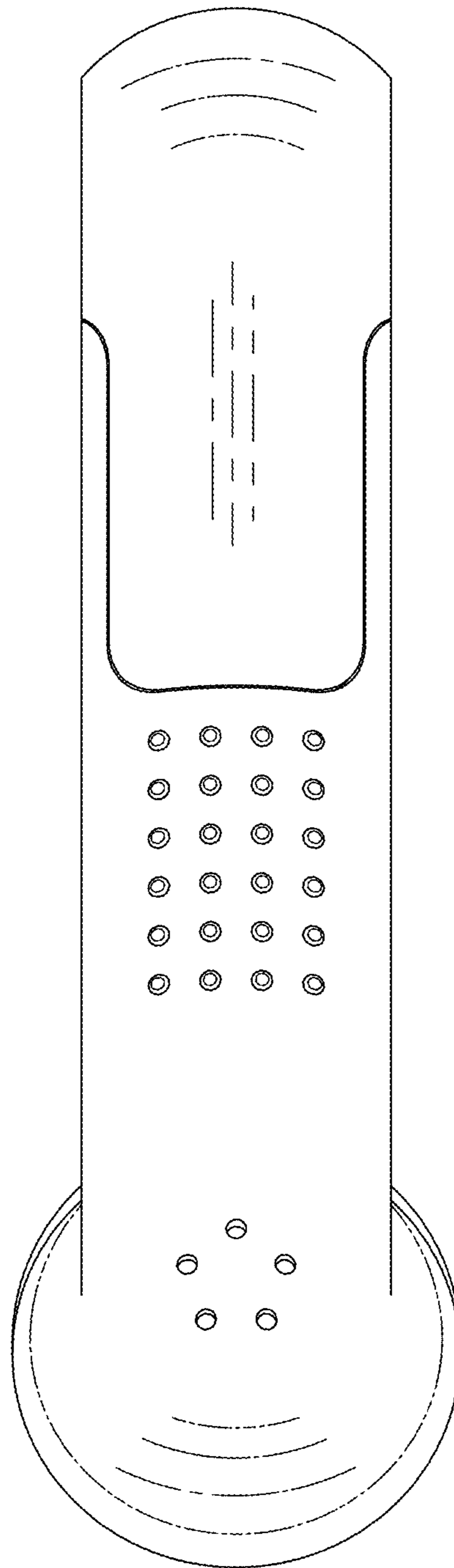


Fig. 6



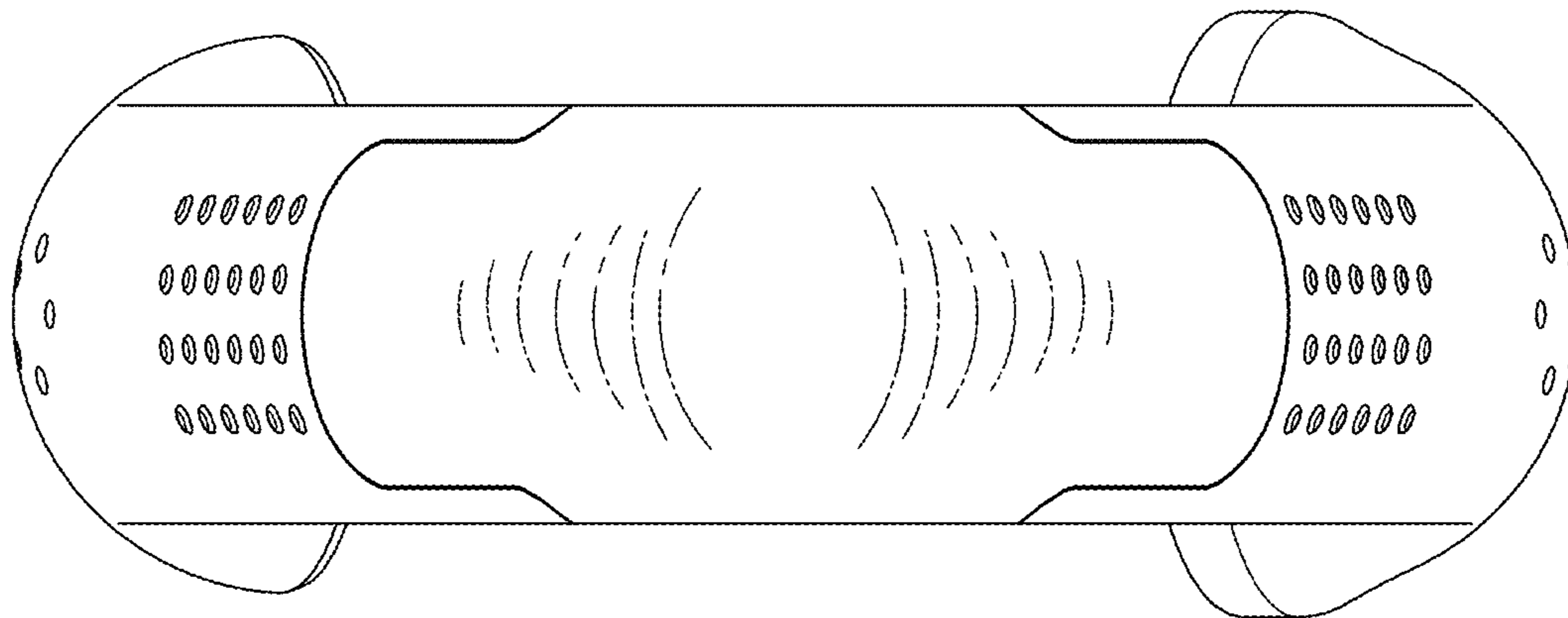


Fig. 7

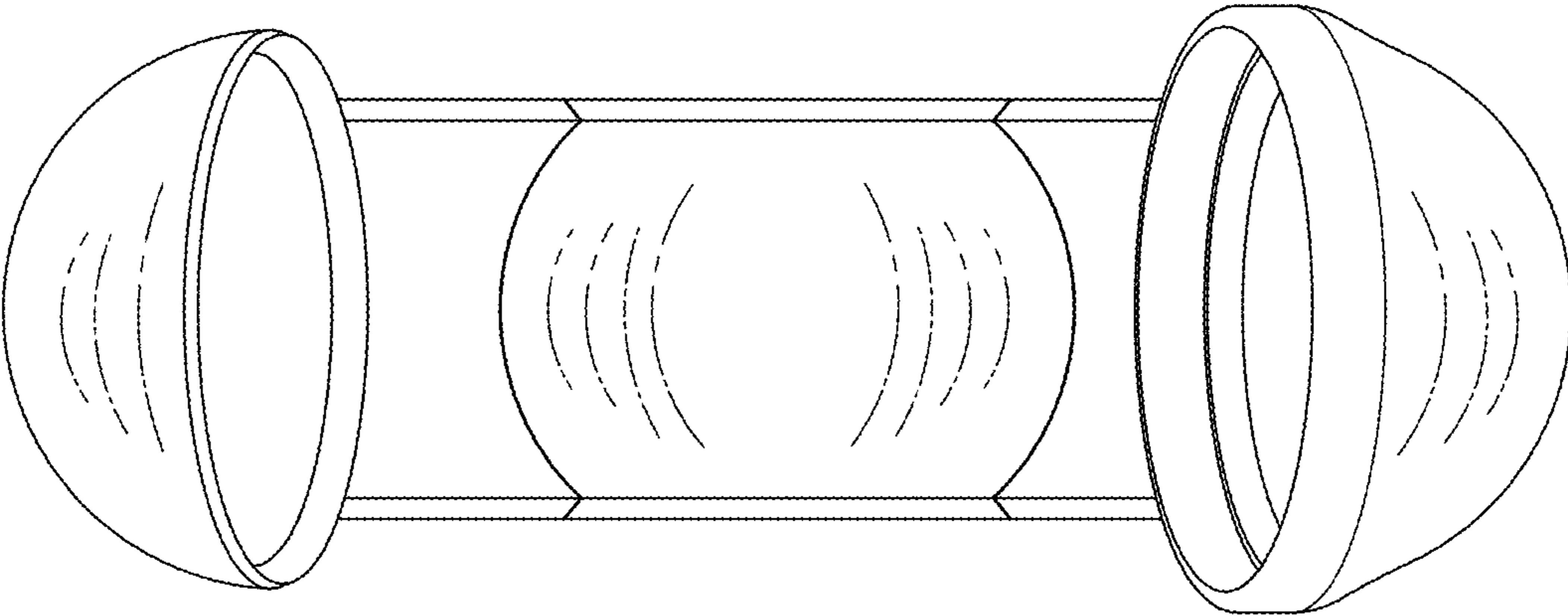


Fig. 8