



US00D942819S

(12) **United States Design Patent** (10) **Patent No.:** **US D942,819 S**
Yang (45) **Date of Patent:** **** Feb. 8, 2022**

(54) **SEASONING SYRINGE**
(71) Applicant: **Yuyao Wandaifu Barbecue Tools Factory, Yuyao (CN)**
(72) Inventor: **Niejun Yang, Yuyao (CN)**
(**) Term: **15 Years**
(21) Appl. No.: **29/759,619**
(22) Filed: **Nov. 24, 2020**
(51) **LOC (13) Cl.** **07-04**
(52) **U.S. Cl.**
USPC **D7/669**
(58) **Field of Classification Search**
USPC D7/368, 669; D24/112, 114, 130, 141
CPC .. A47J 43/28; A47J 43/16; A23B 4/28; A23B 4/32; A61M 5/3135; A61M 5/3129; A61M 5/315; A22C 9/00; A22C 9/001; A22C 9/008; A22C 17/0053; A23P 20/25
See application file for complete search history.

(56) **References Cited**

U.S. PATENT DOCUMENTS

2,925,083 A * 2/1960 Craig A61M 5/3287
604/197
D232,296 S * 8/1974 McNair D7/669
D263,271 S * 3/1982 Kalb D7/669
D543,419 S * 5/2007 Zemel D24/130
D611,310 S * 3/2010 Eide D7/669
D811,589 S 2/2018 Finke et al.
D836,195 S 12/2018 Pang
D889,639 S 7/2020 Johnson et al.

OTHER PUBLICATIONS

Amazon.com, Adocfan Stainless Steel Meat Injection Syringe, Adocfan US Manufacturer, ASIN: B0895VLB89, pp. 1-11, date first available May 26, 2020. (Year: 2020).*

Amazon.com, Culinary Syringe, Molecule-R Manufacturer, ASIN: B0185E7M7G, pp. 1-8, date first available Nov. 17, 2015. (Year: 2015).*
Amazon.com, JY Cookment: Meat Injector-Flavor Injector Syringe, JY Cookment Manufacturer, ASIN: B07G9LMTMG, pp. 1-11, no date specified. (Year: 0).*
Amazon.com, Meat Injector, Cave Tools Manufacturer, ASIN: B07DFR2YM6, pp. 1-16, date first available Apr. 1, 2013. (Year: 2013).*
Amazon.com, Ofargo Plastic Marinade Injector Syringe, Ofargo Manufacturer, ASIN: B078CQ3369, pp. 1-12, date first available Nov. 5, 2017. (Year: 2017).*
Amazon.com, UPKOCH Stainless Steel Meat Injector Flavor Food Seasoning Injector, UPKOCH manufacturer, ASIN: B07Z4V2K, pp. 1-5, date first available Oct. 15, 2019. (Year: 2019).*
Amazon.com, Meat Injector Syringe Plastic Marinade Injector, KAMaster manufacturer, ASIN: B07VDN6KY4, pp. 1-10, date first available Jul. 18, 2019. (Year: 2019).*

* cited by examiner

Primary Examiner — Terry A Wallace

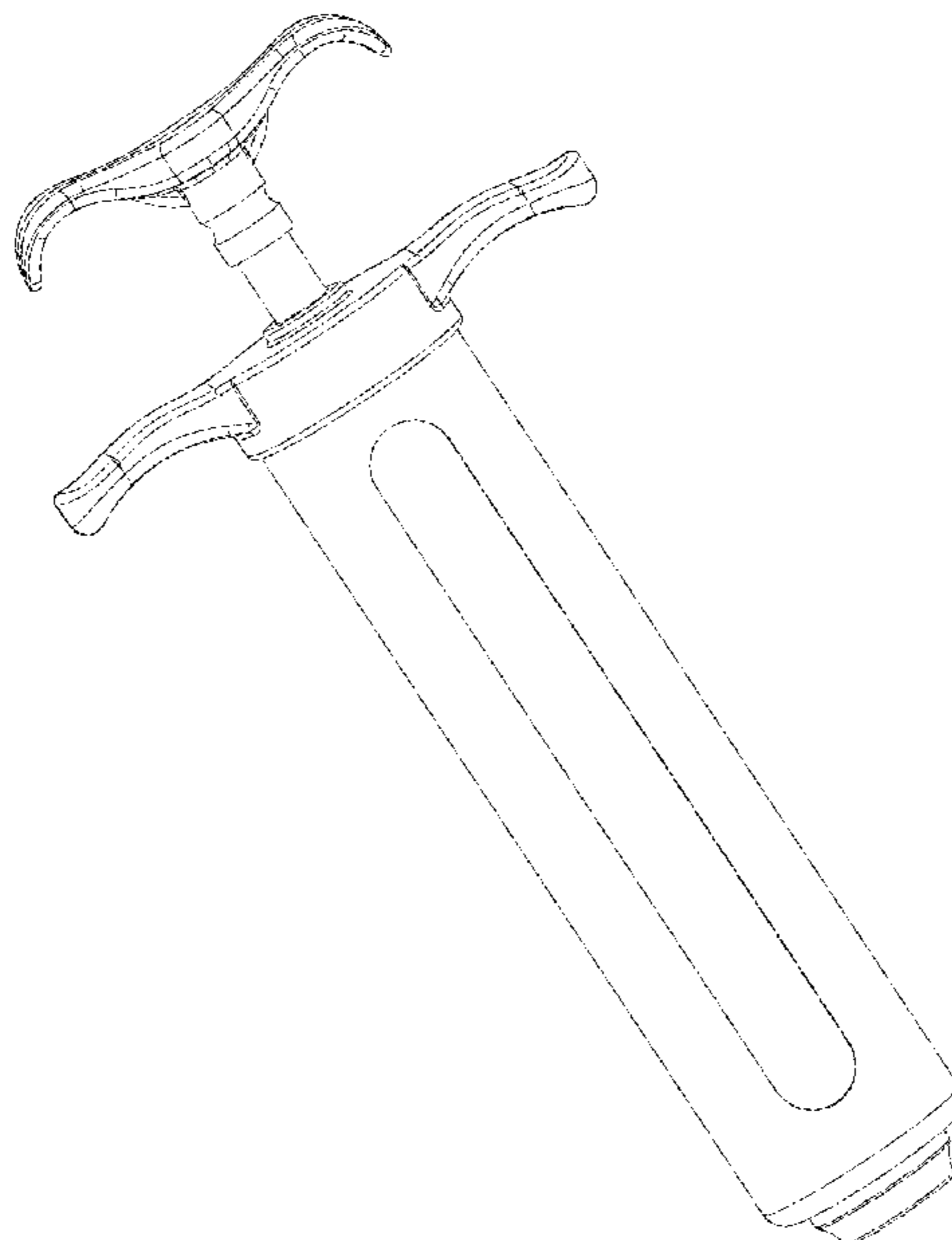
(57) **CLAIM**

The ornamental design for a seasoning syringe, as shown and described.

DESCRIPTION

FIG. 1 is a perspective view of a seasoning syringe showing my new design;
FIG. 2 is a front elevational view thereof;
FIG. 3 is a rear elevational view thereof;
FIG. 4 is a left side view thereof;
FIG. 5 is a right side view thereof;
FIG. 6 is a top plan view thereof; and,
FIG. 7 is a bottom plan view thereof.

1 Claim, 7 Drawing Sheets



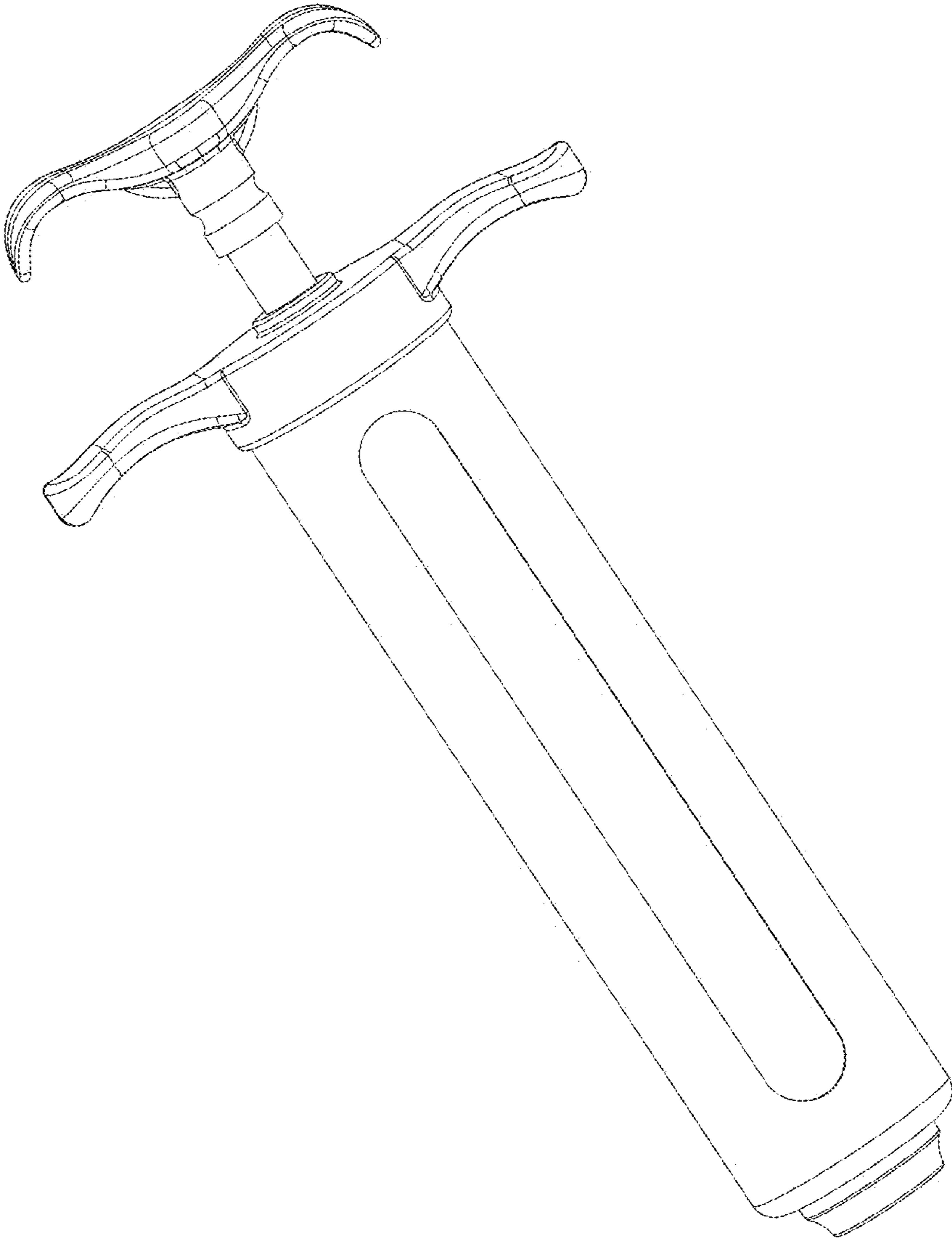


FIG. 1

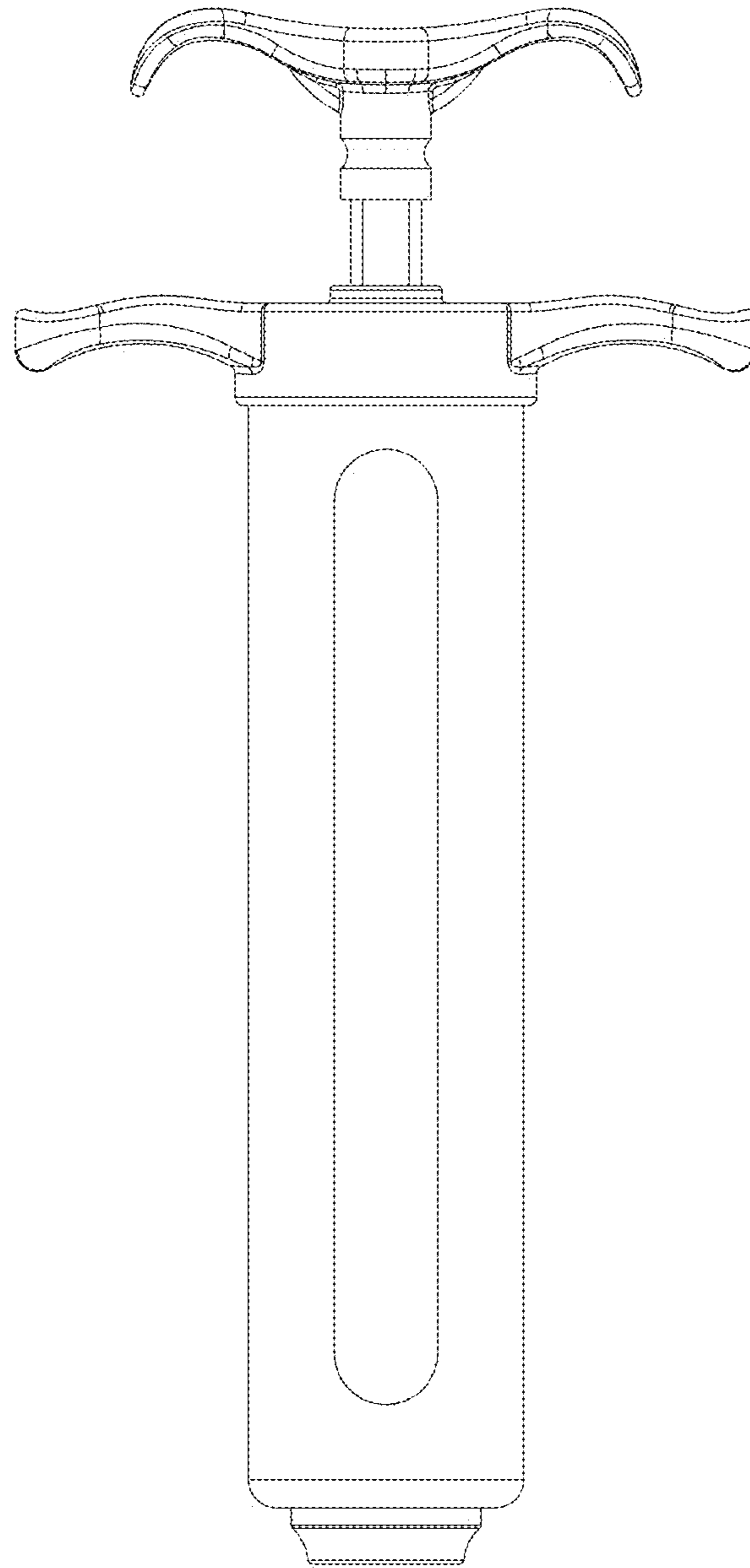


FIG. 2

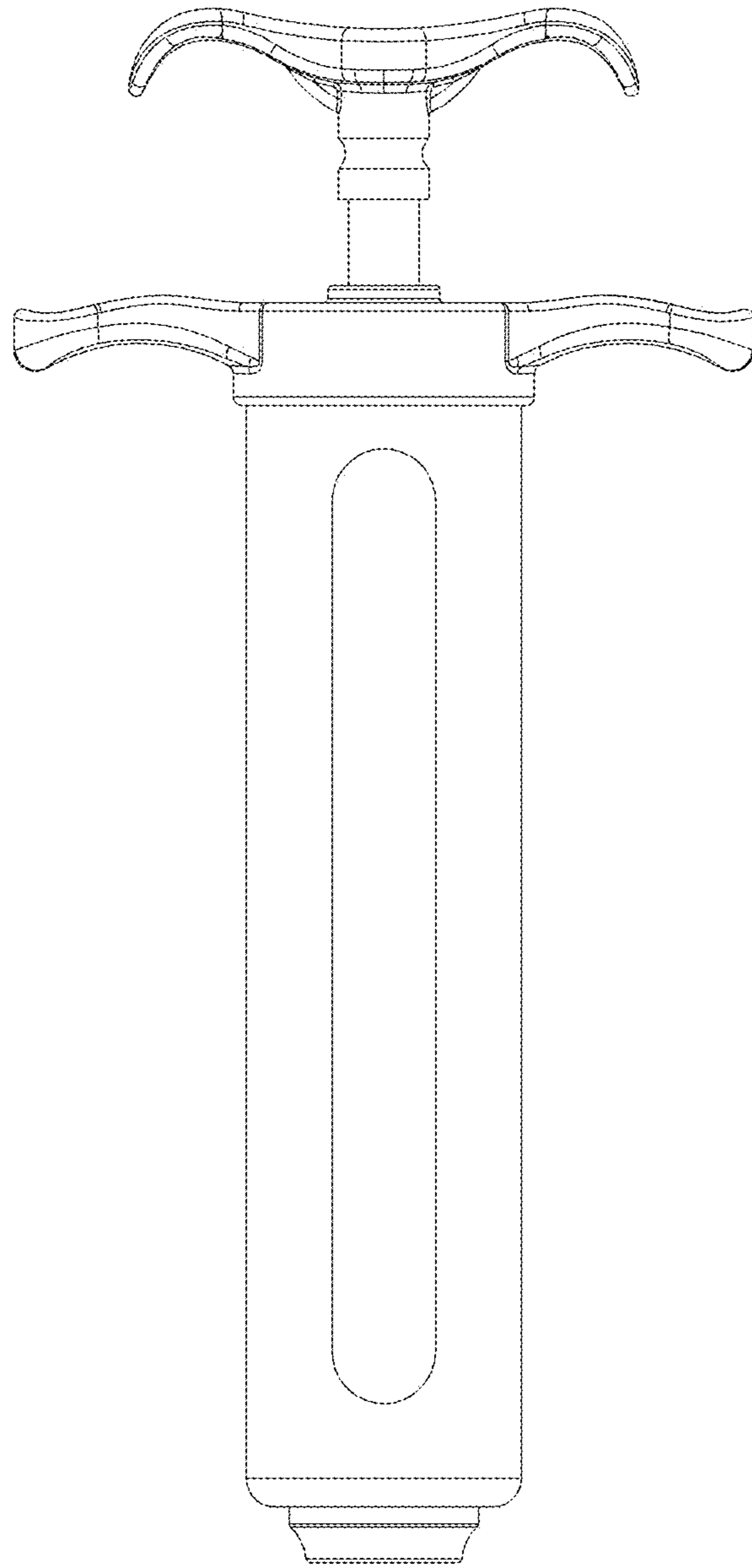


FIG. 3

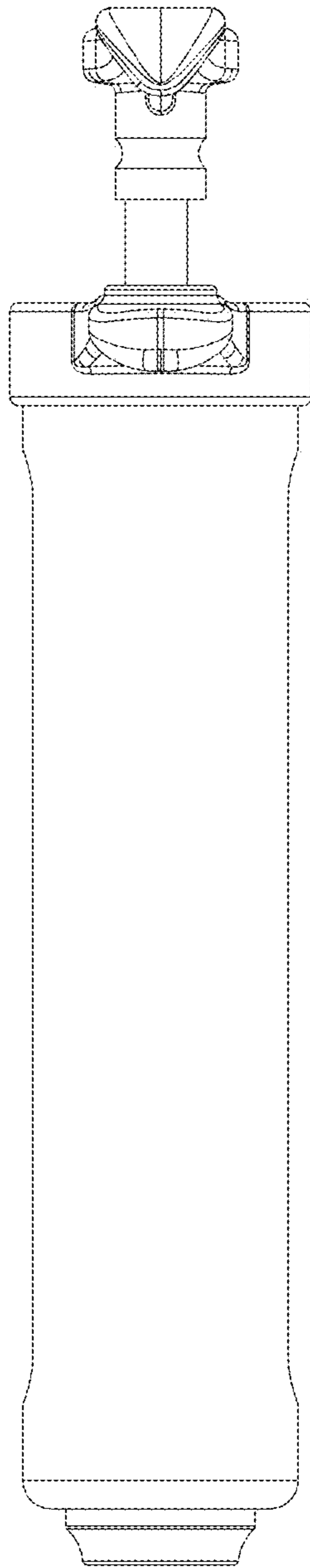


FIG. 4

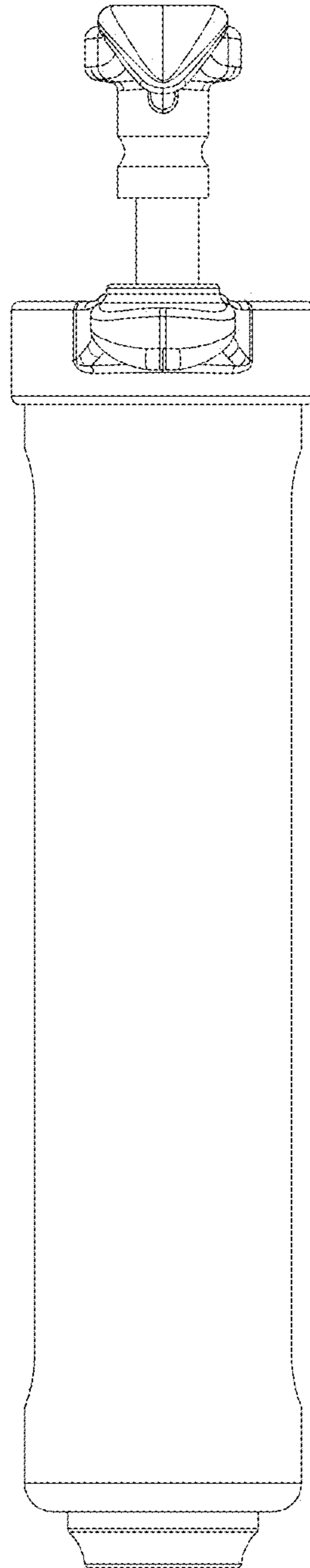


FIG. 5

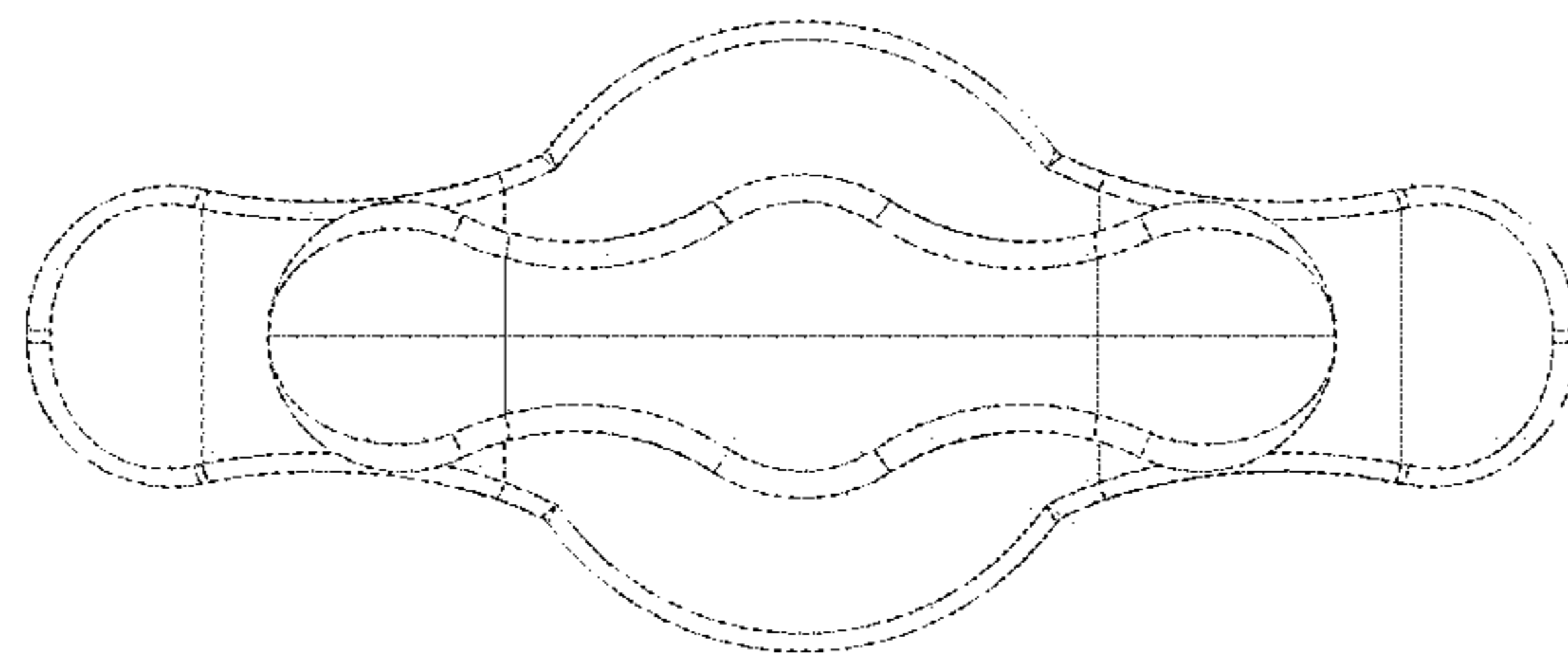


FIG. 6

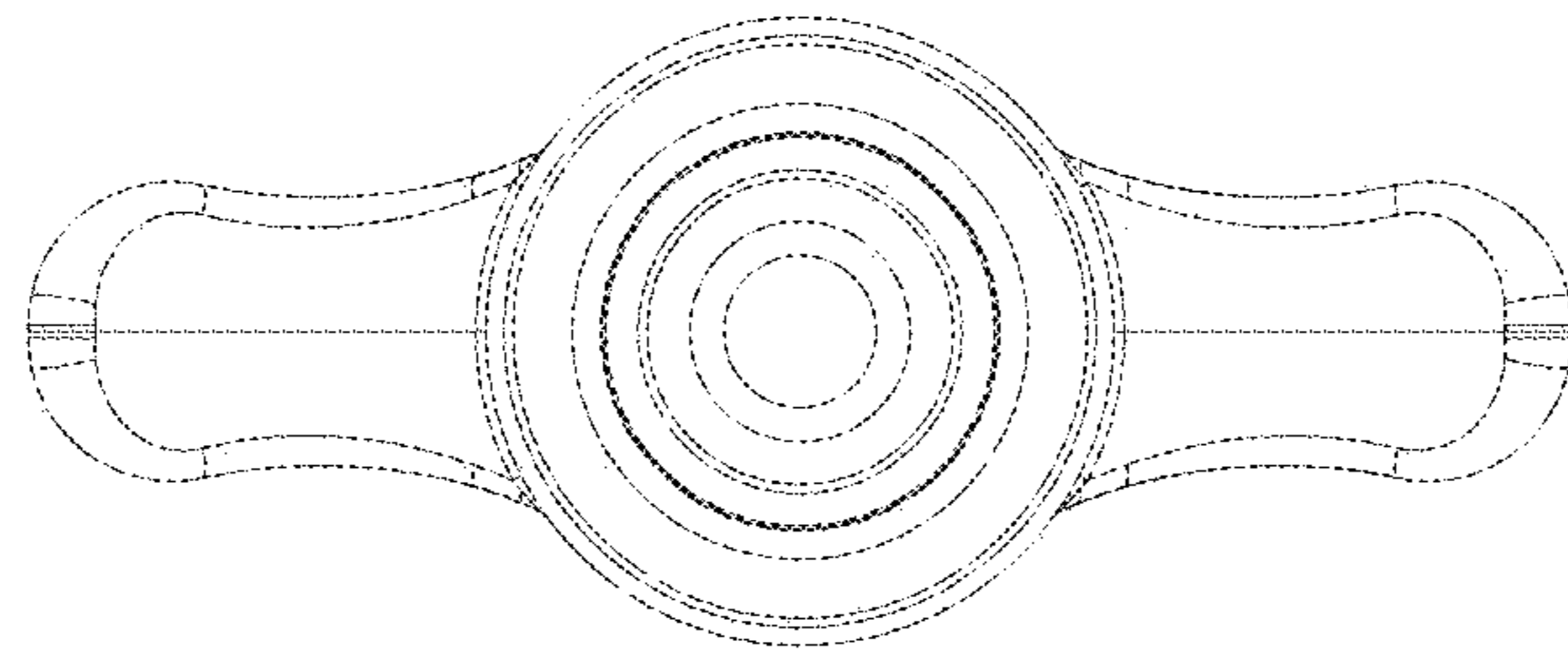


FIG. 7