

US00D942817S

(12) **United States Design Patent**
Whitman

(10) **Patent No.:** **US D942,817 S**

(45) **Date of Patent:** **** Feb. 8, 2022**

(54) **SIFTER PAN**

(71) Applicant: **Lucian D. Whitman**, Lake Isabella,
CA (US)

(72) Inventor: **Lucian D. Whitman**, Lake Isabella,
CA (US)

(**) Term: **15 Years**

(21) Appl. No.: **29/709,533**

(22) Filed: **Oct. 21, 2019**

(51) **LOC (13) Cl.** **31-00**

(52) **U.S. Cl.**
USPC **D7/667**

(58) **Field of Classification Search**
USPC D7/368, 587, 667, 669, 678, 670, 679,
D7/683; D15/147

CPC B03B 11/00; B03B 9/00; B03B 5/40
See application file for complete search history.

(56) **References Cited**

U.S. PATENT DOCUMENTS

- 649,874 A * 5/1900 Payne A47G 7/07
47/41.11
- D92,115 S * 4/1934 Spencer D11/147
- D103,769 S * 3/1937 Spencer D11/147
- 2,328,436 A 8/1943 Eickemeyer
- D194,506 S * 2/1963 Laan D11/147
- 3,669,694 A * 6/1972 Nauheimer A47J 31/053
99/310
- D226,213 S * 1/1973 Meyer D11/147
- D236,364 S * 8/1975 Fox D11/152
- 4,289,241 A 9/1981 Litrap
- 4,472,269 A 9/1984 Swick
- 4,851,112 A 7/1989 Schlensker
- D322,768 S * 12/1991 Lillelund D11/147
- D341,286 S * 11/1993 Grykiewicz D7/400
- 5,454,189 A * 10/1995 Graham A01G 5/04
47/41.01
- D386,715 S * 11/1997 Graham D11/143
- D480,096 S * 9/2003 Hovian D15/147

- D540,710 S * 4/2007 Charrin D11/147
- D664,391 S * 7/2012 Hixon D7/400
- D666,086 S 8/2012 Mundhra
- D670,539 S * 11/2012 Starr D7/400
- 8,646,614 B2 2/2014 Peterson
- 8,678,192 B1 3/2014 Pung et al.
- 9,067,215 B2 6/2015 Moe

(Continued)

FOREIGN PATENT DOCUMENTS

GB 4225 A 11/1907

OTHER PUBLICATIONS

Amazon website, SE Patented Stackable 13-1/4" Sifting Pan, Date first available on Amazon Jun. 6, 2012, [site visited Sep. 7, 2021], Available on the Internet URL <https://www.amazon.com/SE-GP2-18-Patented-Stackable-Sifting/dp/B008B0TJAI> (Year: 2012).*

(Continued)

Primary Examiner — S. Bryan Reinholdt, Jr.
(74) *Attorney, Agent, or Firm* — Nath, Goldberg & Meyer; Richard C. Litman

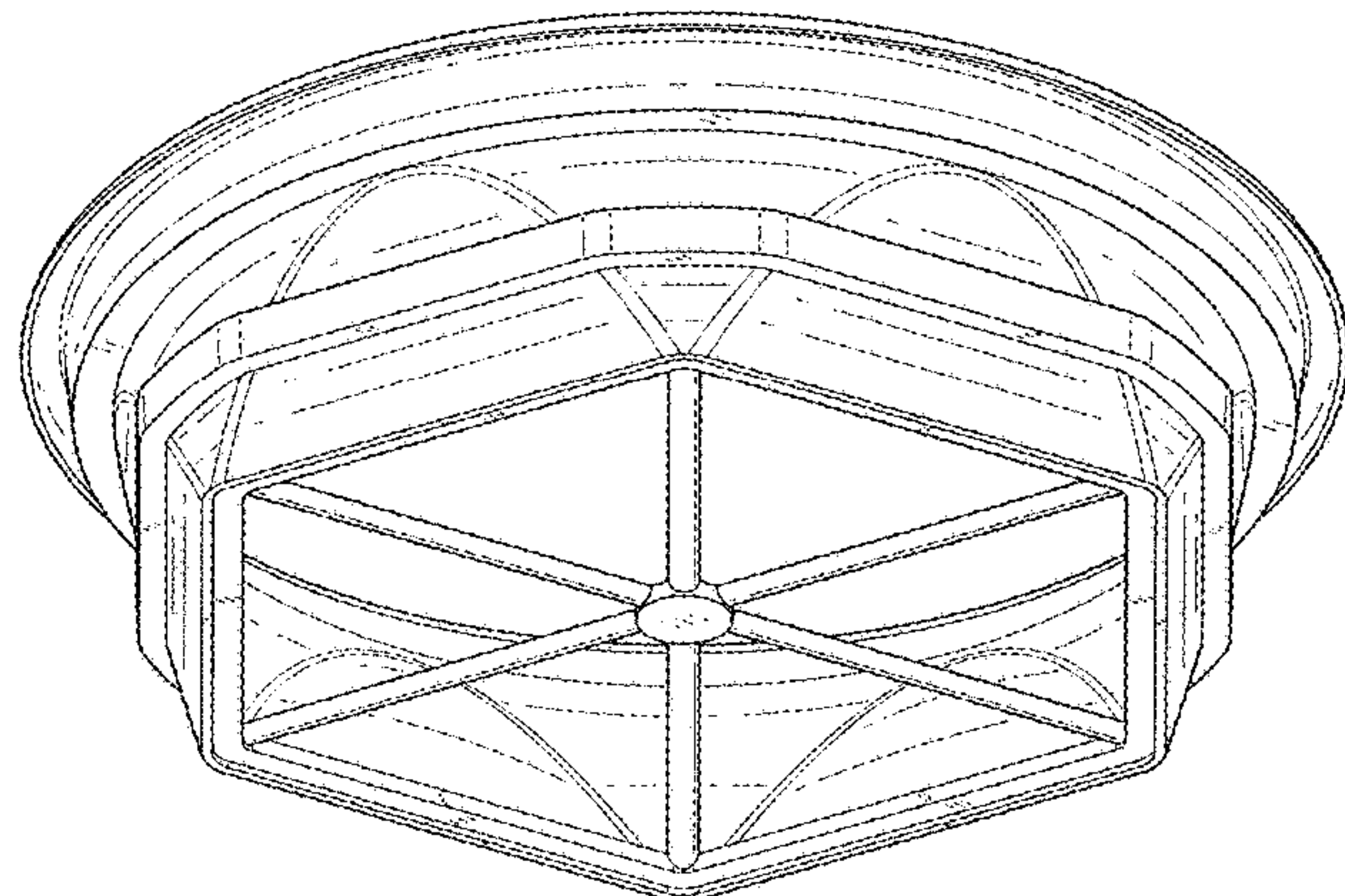
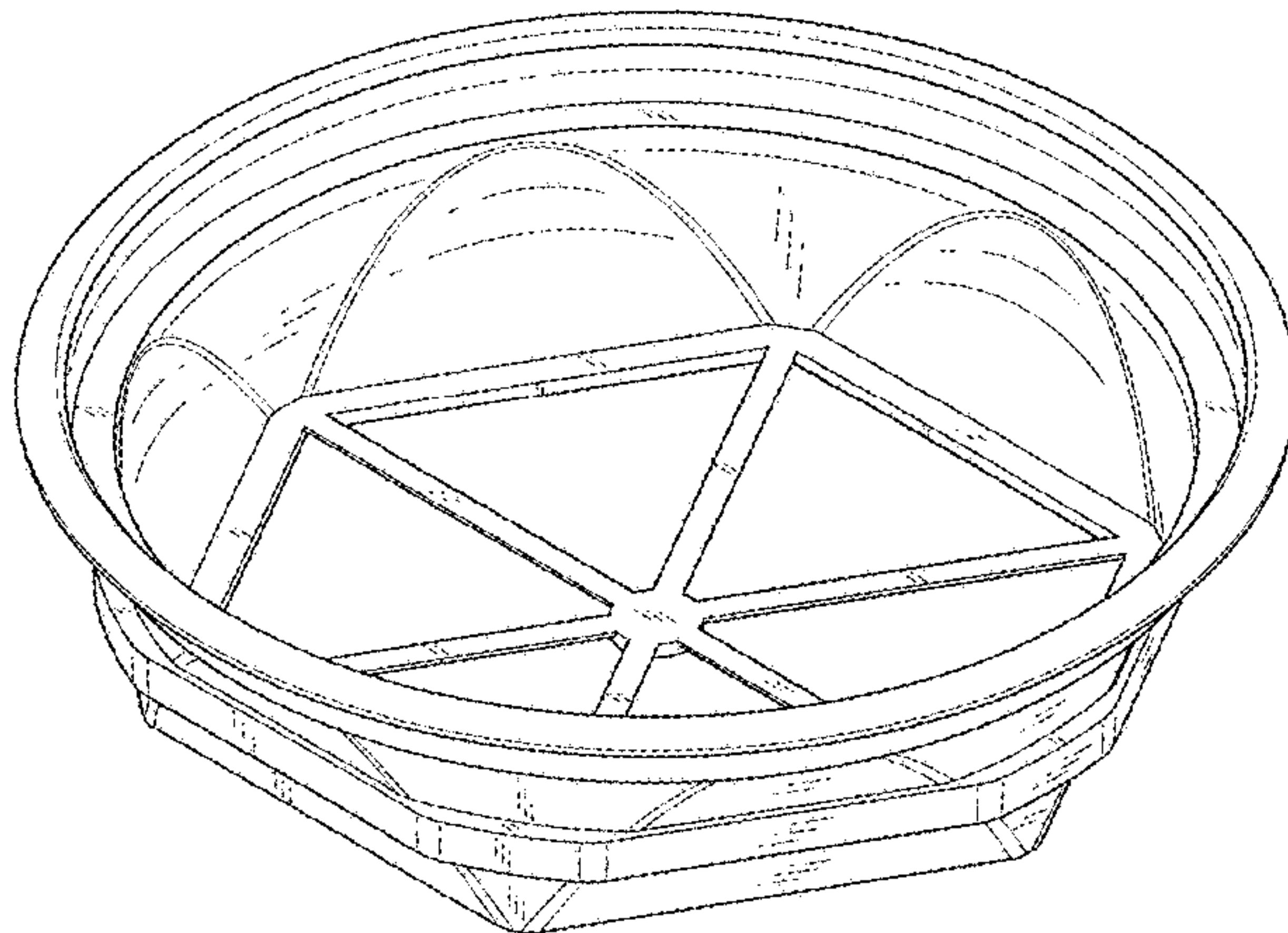
(57) **CLAIM**

The ornamental design for a sifter pan, as shown and described.

DESCRIPTION

FIG. 1 is a top perspective view of a sifter pan showing my new design;
FIG. 2 is a front elevational view thereof, with the rear elevational view being identical thereto;
FIG. 3 is a top view thereof;
FIG. 4 is a bottom view thereof;
FIG. 5 is a right side elevational view thereof, with the left side elevational view being identical thereto; and,
FIG. 6 is a bottom perspective view thereof.

1 Claim, 6 Drawing Sheets



(56)

References Cited

U.S. PATENT DOCUMENTS

9,132,452 B2 9/2015 Trivette et al.
10,081,019 B1 9/2018 Whitman
D830,110 S * 10/2018 Mirchandani D7/359
D830,111 S * 10/2018 Mirchandani D7/359
2007/0199888 A1* 8/2007 Japp A47J 31/605
210/474
2021/0114041 A1* 4/2021 Whitman B03B 5/26

OTHER PUBLICATIONS

“Best Sluice Box & Gold-Panning Kit Reviews (2019): The Gear We Recommend,” Finding a Fortune website: <https://www.findingafortune.net/best-sluice-box-gold-panning-kit/>.

“ASR Outdoor Deluxe Sluice Box Gold Prospecting Kit Classifier Pan 16pc,” Walmart website: <https://www.walmart.com/ip/ASR-Outdoor-Deluxe-Sluice-Box-Gold-Prospecting-Kit-Classifier-Pan-16pc/863060703?wmlspartner=wlp&selectedSellerId=1220&adid=22222222227282010052&w0=&w1=g&w2=c&w3=340964014286&w4=pla-669920149919&w5=9008192&w6=&w7=&w8=&w9=pla&w10=113500236&w11=online&w12=863060703&w13=&veh=sem&gclid=CliBsbG81-ICFc7AyAodupEMgA>.

* cited by examiner

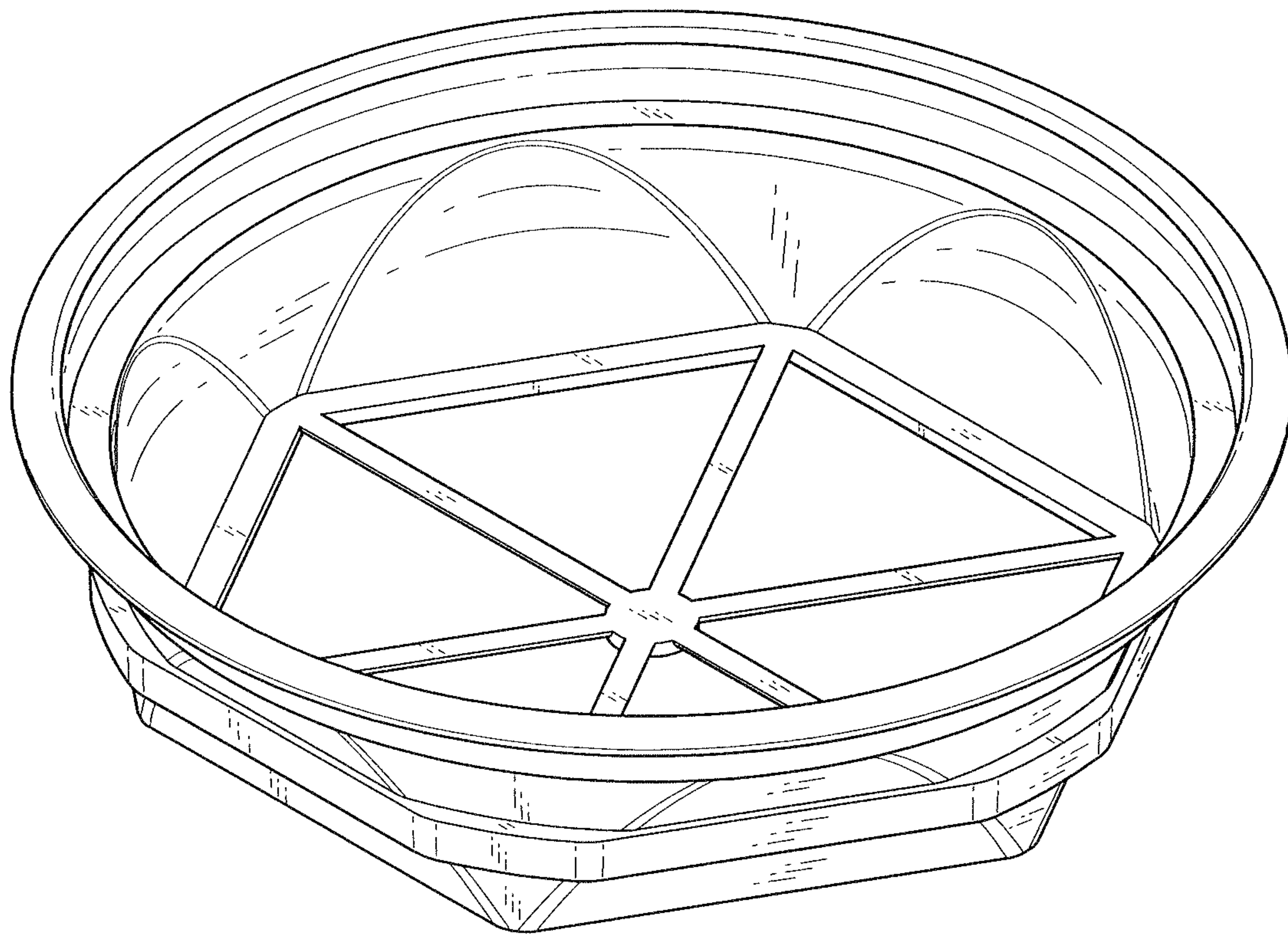


FIG. 1

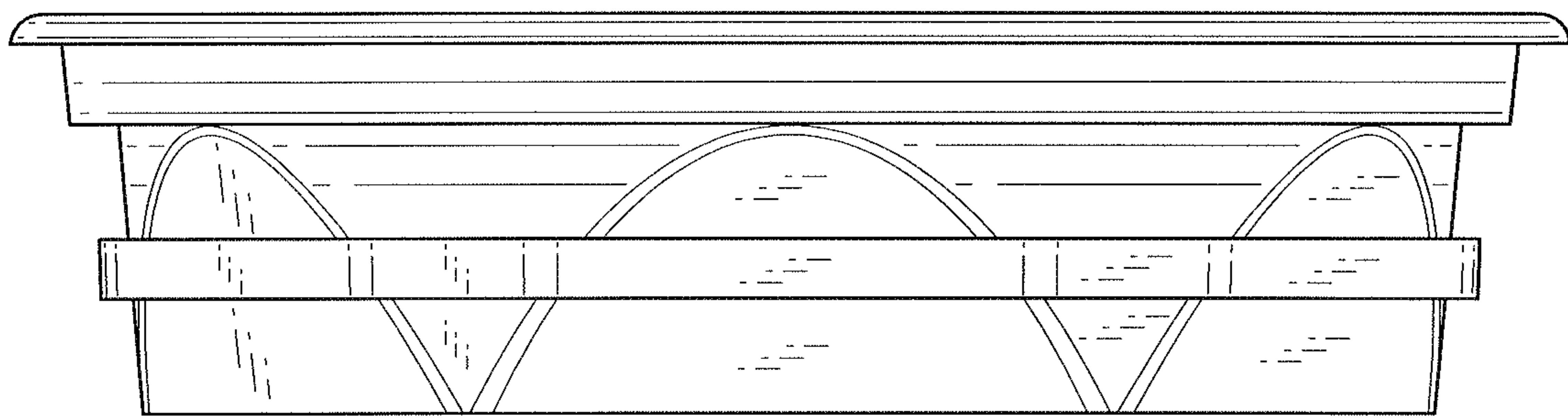


FIG. 2

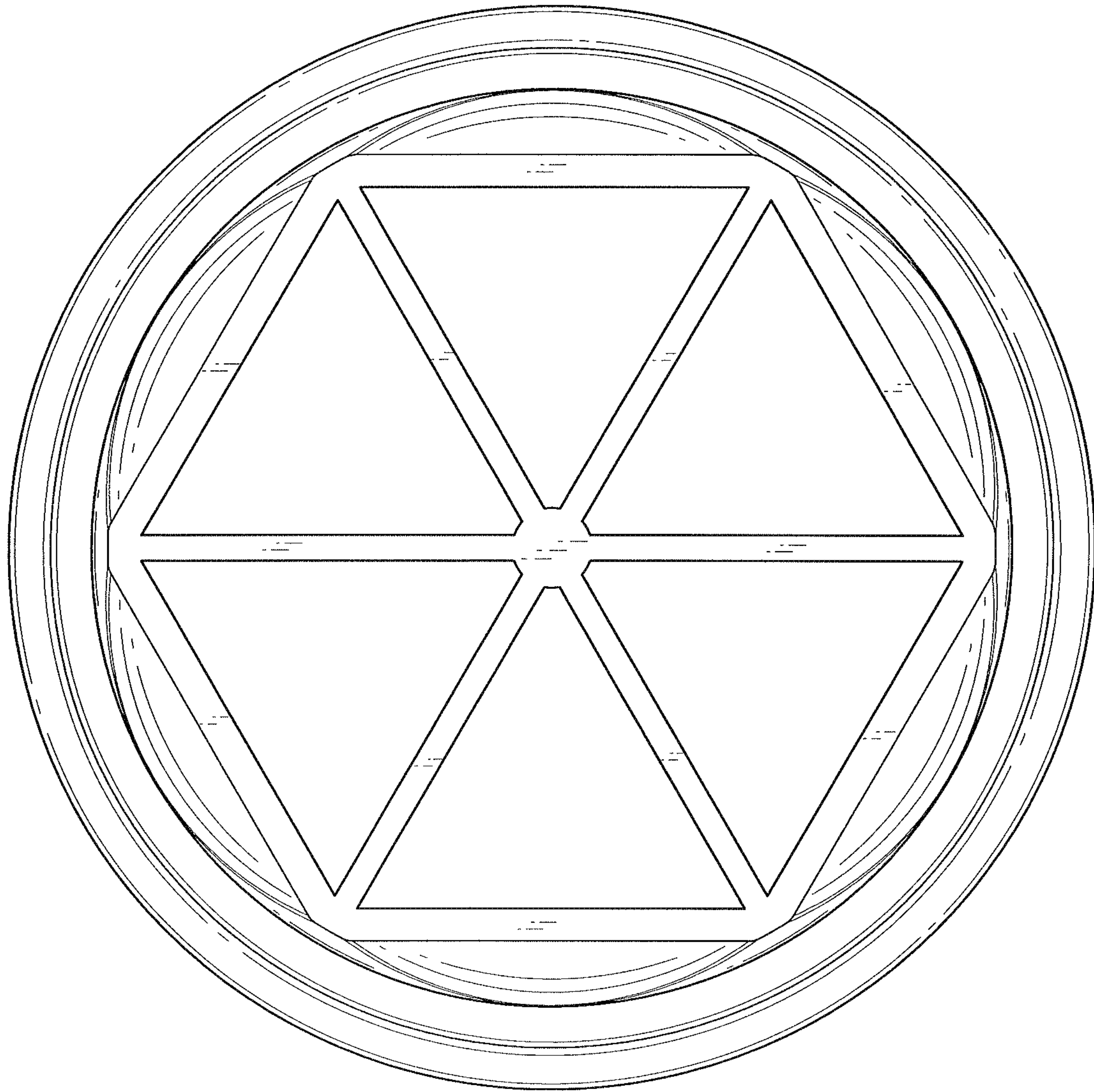


FIG. 3

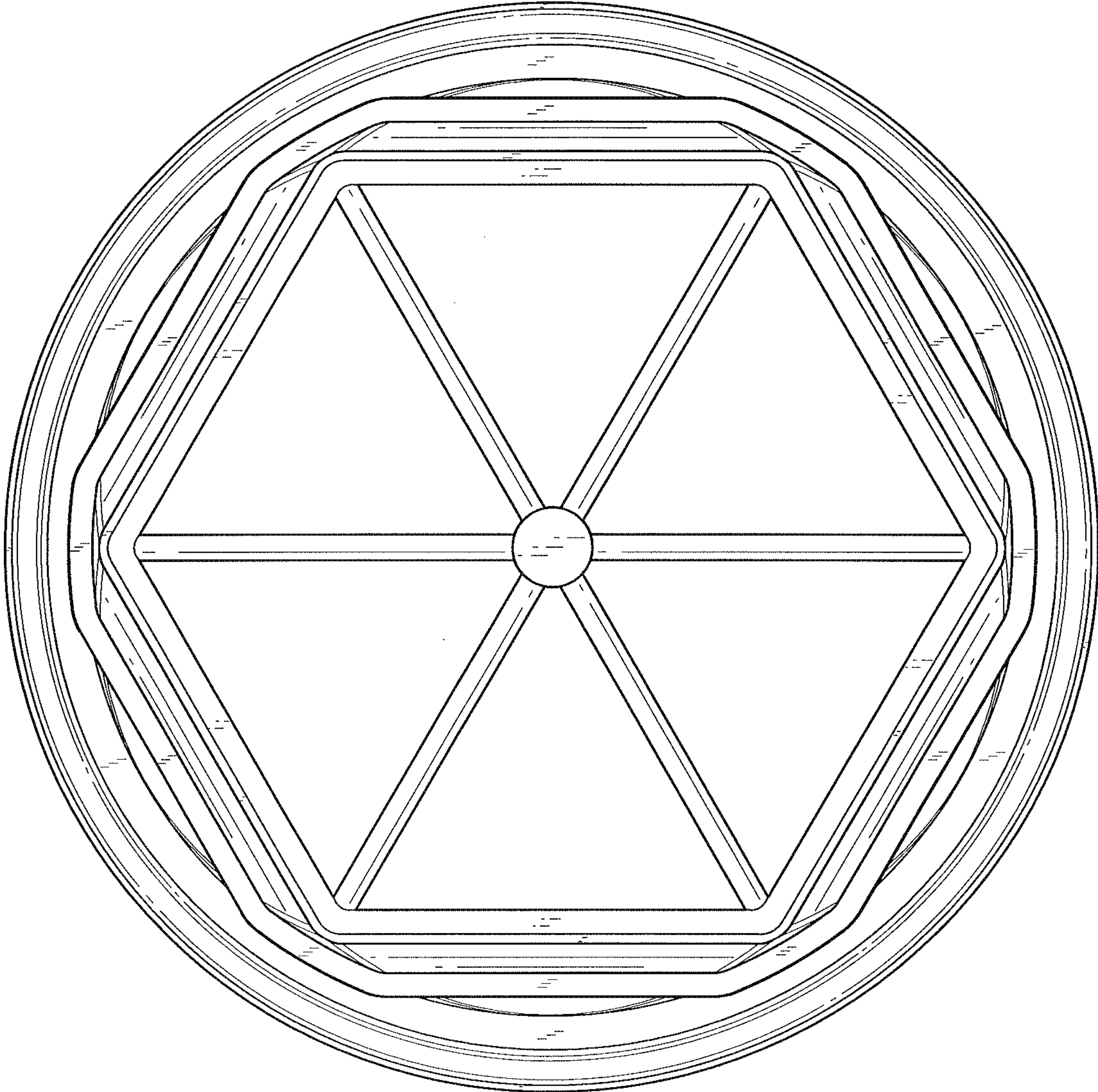


FIG. 4

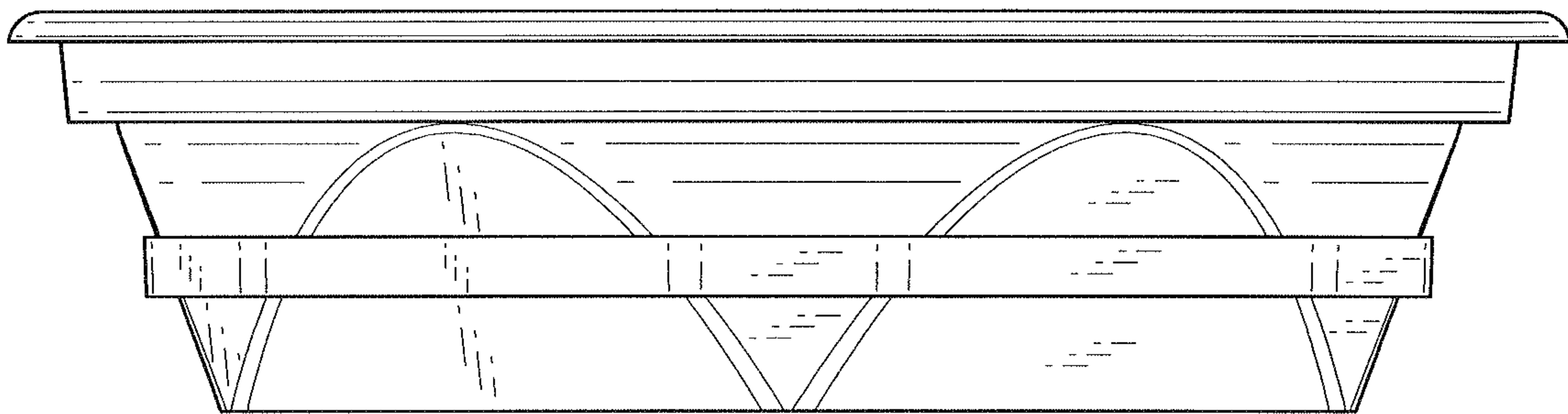


FIG. 5

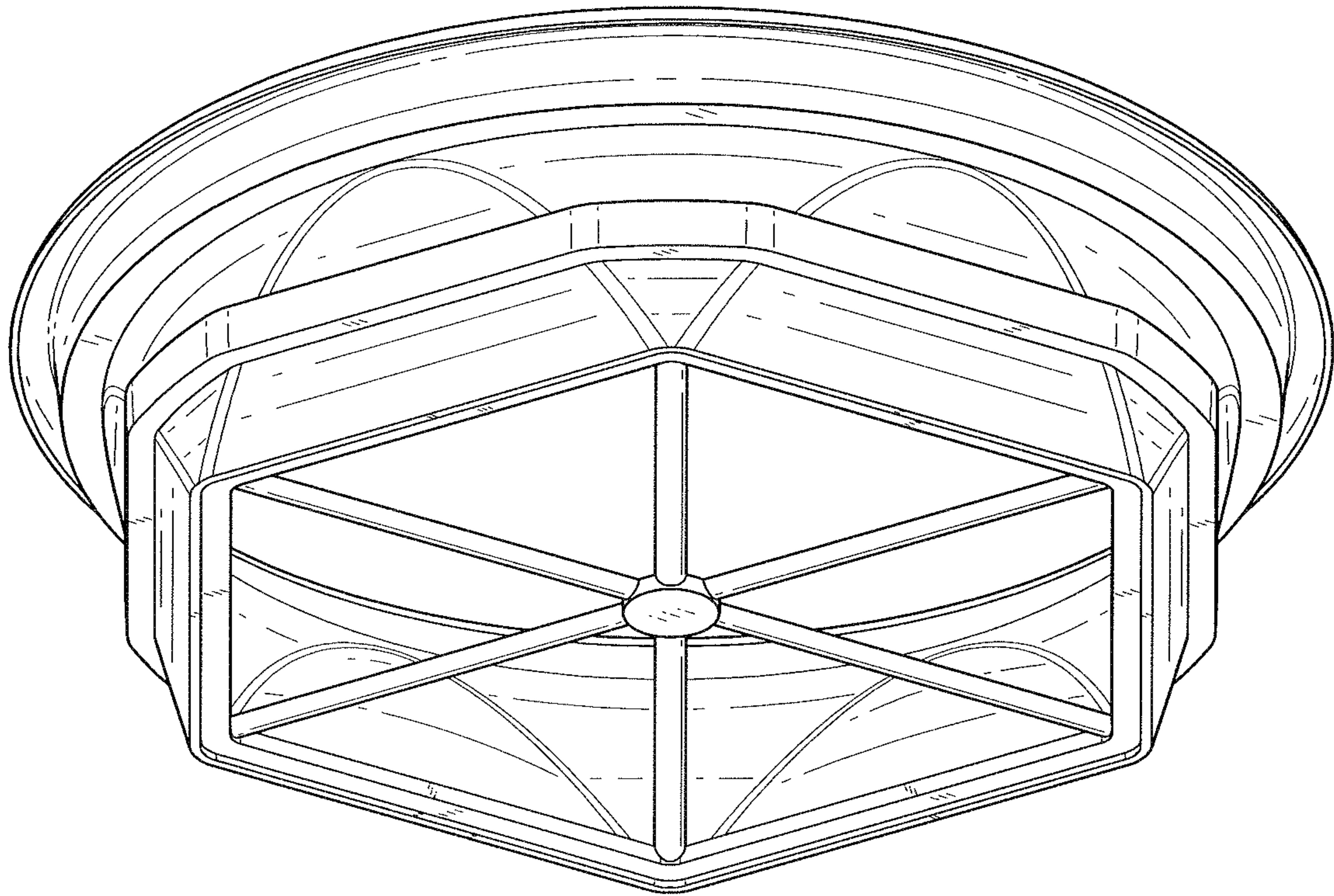


FIG. 6