



US00D942814S

(12) **United States Design Patent**
Yao

(10) **Patent No.:** **US D942,814 S**

(45) **Date of Patent:** **** Feb. 8, 2022**

(54) **SOFT COOLER BAG**

(71) Applicant: **HANGZHOU APOCALYPSE
HOUSEWARE CO., LTD., Zhejiang
(CN)**

(72) Inventor: **Oliver Yao, Quzhou (CN)**

(73) Assignee: **HANGZHOU APOCALYPSE
HOUSEWARE CO., LTD., Zhejiang
(CN)**

(**) Term: **15 Years**

(21) Appl. No.: **29/692,083**

(22) Filed: **May 22, 2019**

(51) **LOC (13) Cl.** **07-07**

(52) **U.S. Cl.**
USPC **D7/607; D3/202**

(58) **Field of Classification Search**
USPC **D7/601, 602, 603, 605, 607, 624.2, 703;
D3/202**

CPC **B65D 77/24**
See application file for complete search history.

(56) **References Cited**

U.S. PATENT DOCUMENTS

- 4,826,060 A * 5/1989 Hollingsworth A45C 3/00
224/237
- 4,974,761 A * 12/1990 Luque A45C 1/04
224/148.5
- D374,975 S * 10/1996 Vargas D3/202
- 5,864,289 A * 1/1999 Tiemann G07D 9/002
340/568.7
- D414,082 S * 9/1999 Keene D7/607
- 6,082,896 A * 7/2000 Pulli B65D 81/3897
383/110
- D429,448 S * 8/2000 Nottingham D3/276
- D442,833 S * 5/2001 Shuman D7/608
- D567,595 S * 4/2008 Christopher D3/229
- D608,159 S * 1/2010 Whitlock D7/607
- D629,657 S * 12/2010 Carreno D7/629

- D660,084 S * 5/2012 Gilbert D7/538
- D774,362 S * 12/2016 Wahl A47J 33/00
D7/608
- D780,442 S * 3/2017 Tidwell D3/229
- D780,533 S * 3/2017 Seiders D7/624.2
- D786,025 S * 5/2017 Seiders D7/624.2
- D786,562 S * 5/2017 Seiders D3/318

(Continued)

OTHER PUBLICATIONS

Hangzhou Apocalypse Houseware Co., Ltd., Apocalypse 30 QT Beer Can Cooler Bag, Publication date unknown, [site visited Sep. 24, 2020], Available on the Internet URL http://cnoliveryao.waimaotong.com/product/Apocalypse-30-QT-Beer-Can-Cooler-Bag_m1227835m.html (Year: 2020).*

Primary Examiner — S. Bryan Reinholdt, Jr.

(74) *Attorney, Agent, or Firm* — Juan Carlos A. Marquez; Marquez IP Law Office, PLLC

(57) **CLAIM**

The ornamental design for a soft cooler bag, as shown and described.

DESCRIPTION

FIG. 1 is a perspective view of a soft cooler bag, showing the new design;

FIG. 2 is a front view thereof;

FIG. 3 is a rear view thereof;

FIG. 4 is a left-side view thereof;

FIG. 5 is a right-side view thereof;

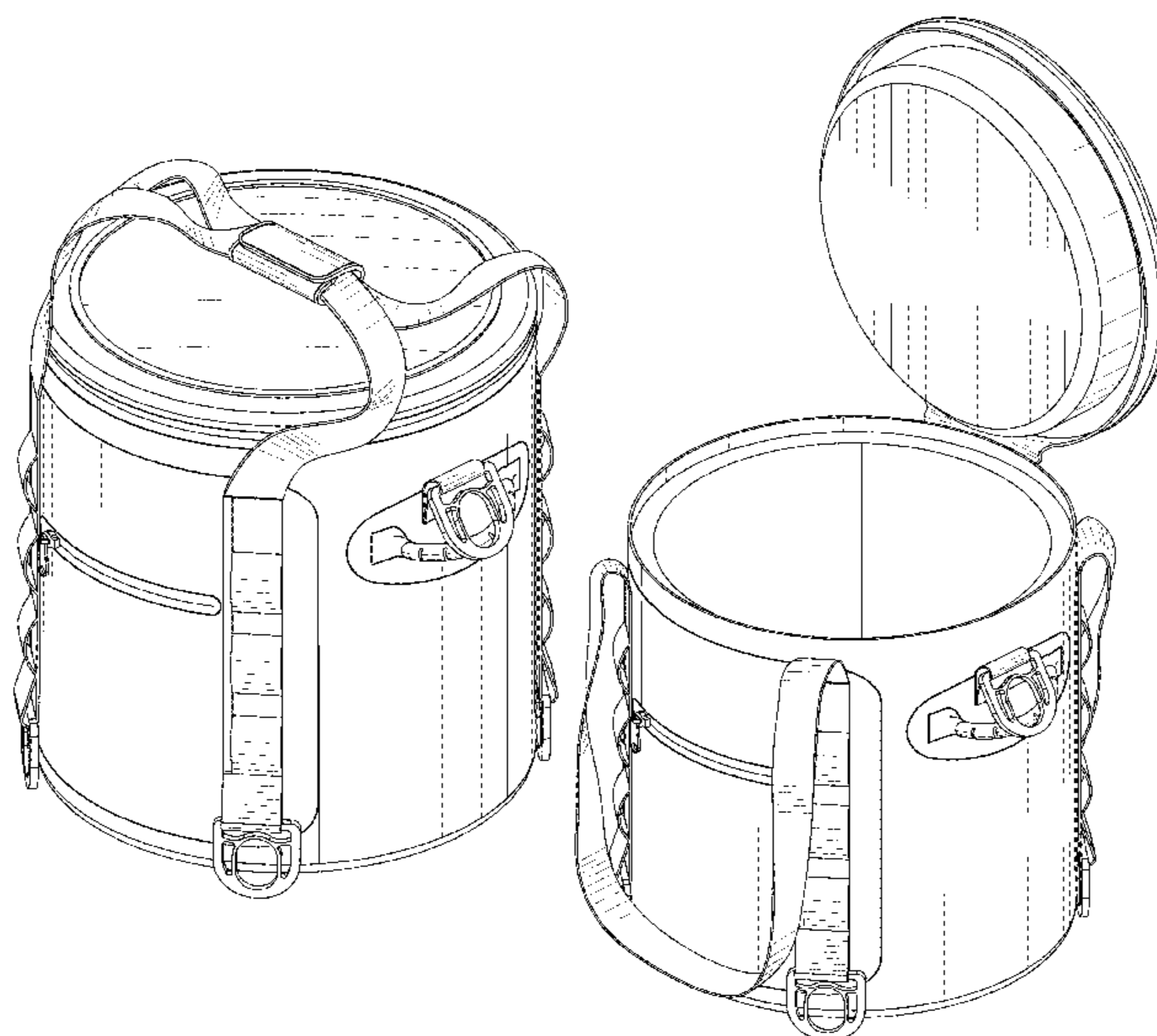
FIG. 6 is a top view thereof;

FIG. 7 is a bottom view thereof; and,

FIG. 8 is a perspective view of the soft cooler bag with the top open.

In FIG. 7, the broken line and areas within and immediately adjacent to the solid line defining the outside edge of the bottom of the article depict portions of the soft cooler bag that form no part of the claimed design.

1 Claim, 8 Drawing Sheets



(56)

References Cited

U.S. PATENT DOCUMENTS

D805,363	S	*	12/2017	Weinberg	D7/703
D825,337	S	*	8/2018	Augustyniak	D9/503
D835,949	S	*	12/2018	Triska	D7/607
D837,000	S	*	1/2019	Jacobsen	D7/607
D859,813	S	*	9/2019	Seiders	D3/201
D868,545	S	*	12/2019	Lin	D7/607
D874,127	S	*	2/2020	Wang	D3/202
D880,254	S	*	4/2020	Jacobsen	D7/607
D886,537	S	*	6/2020	Jacobsen	D7/607
D886,538	S	*	6/2020	Jacobsen	D7/607
D886,539	S	*	6/2020	Jacobsen	D7/607
D894,692	S	*	9/2020	Herold	D7/607
D918,570	S	*	5/2021	Seiders	D3/201
D919,284	S	*	5/2021	Cui	D3/204
D923,323	S	*	6/2021	Seiders	D3/201
2010/0078451	A1	*	4/2010	Mount	B65D 81/3879 224/148.3

* cited by examiner

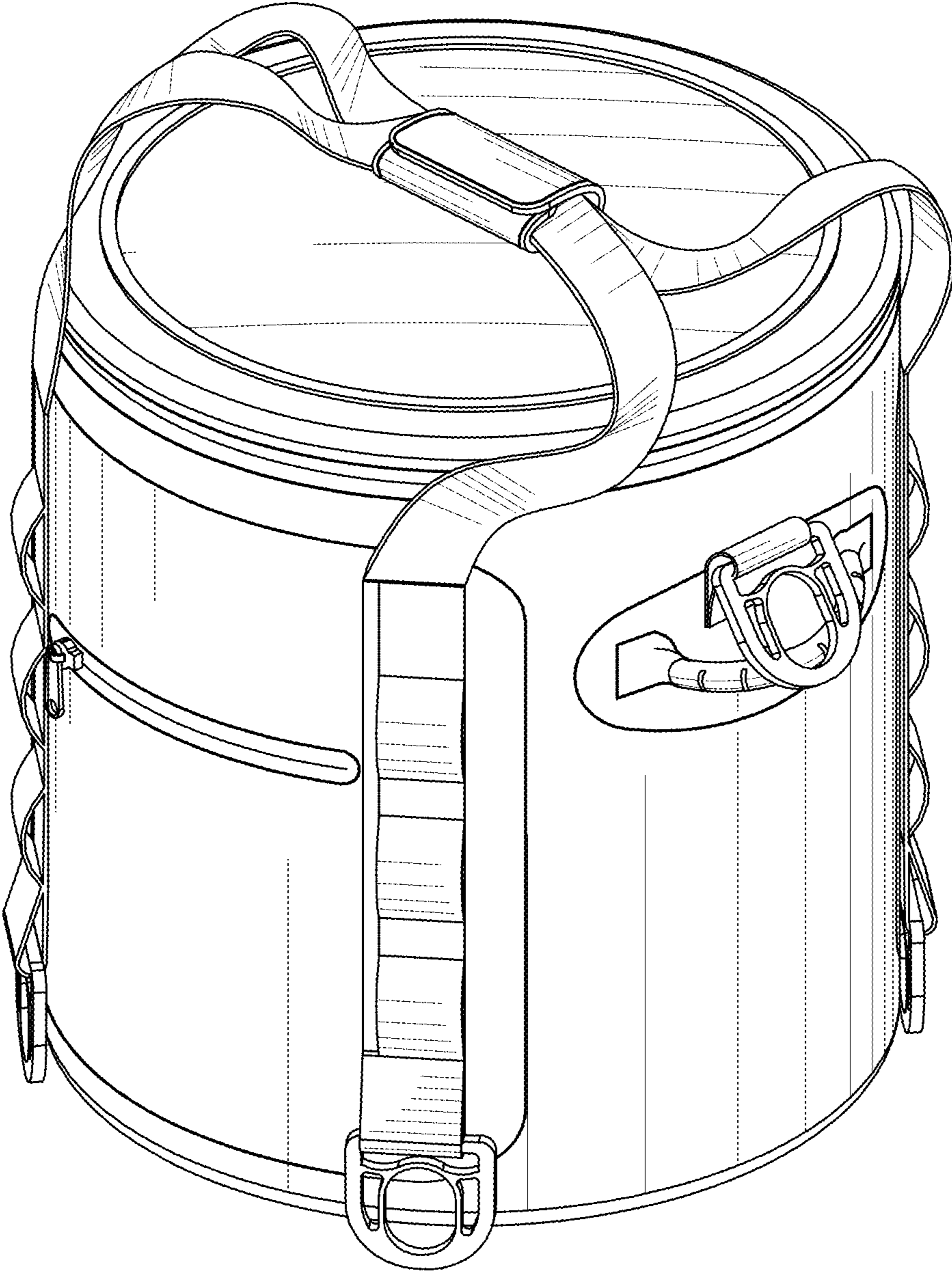


FIG. 1

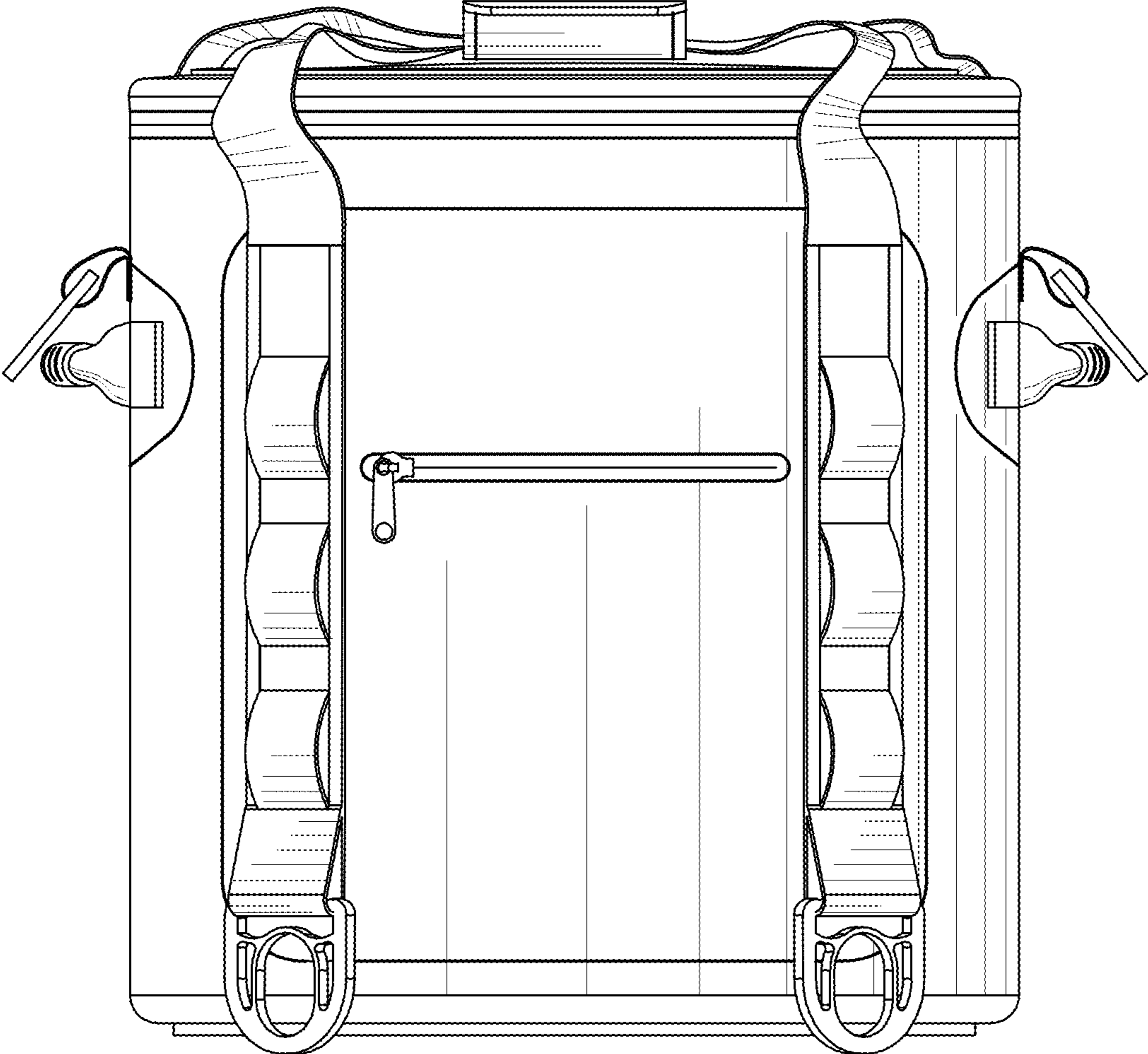


FIG. 2

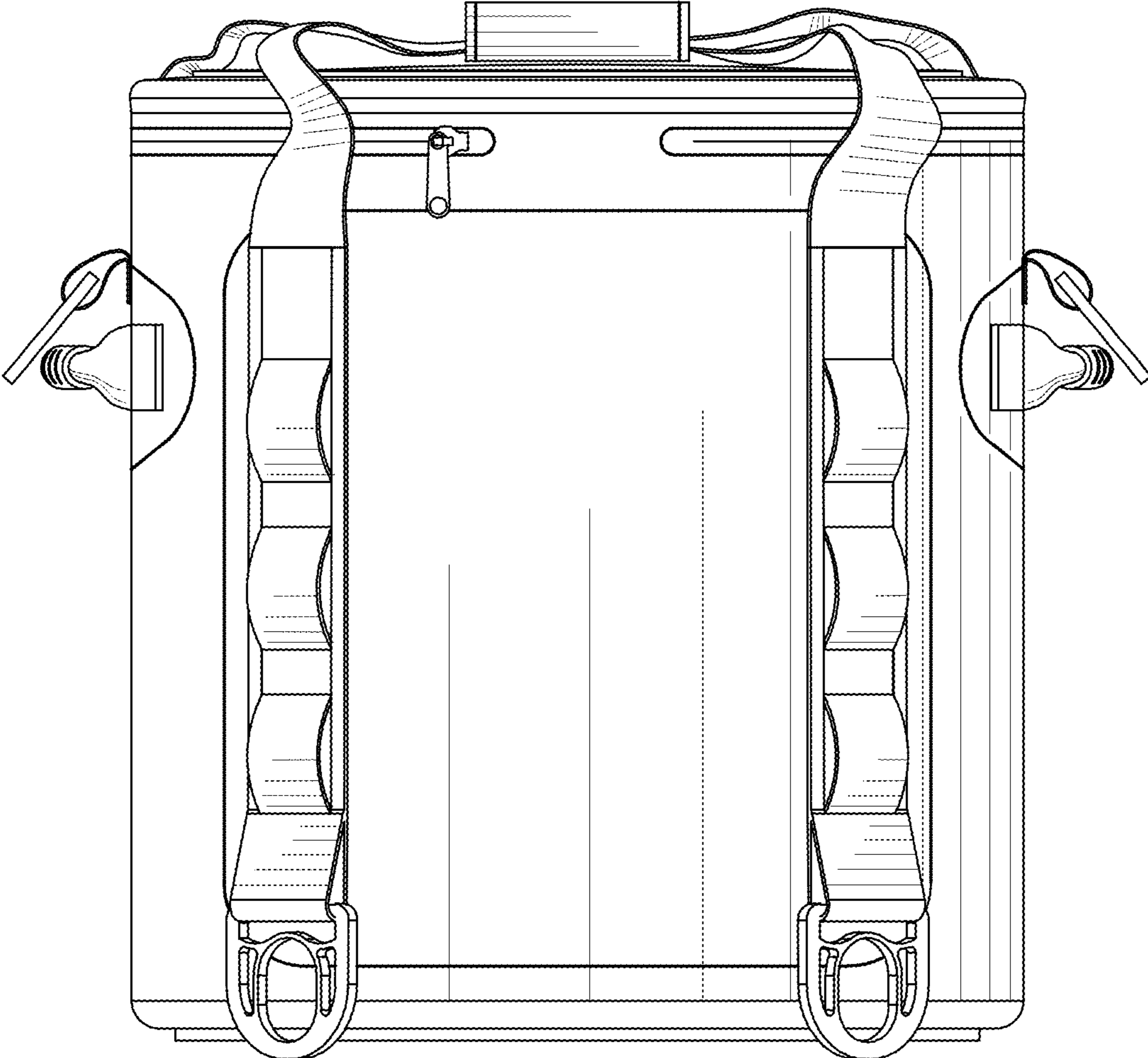


FIG. 3

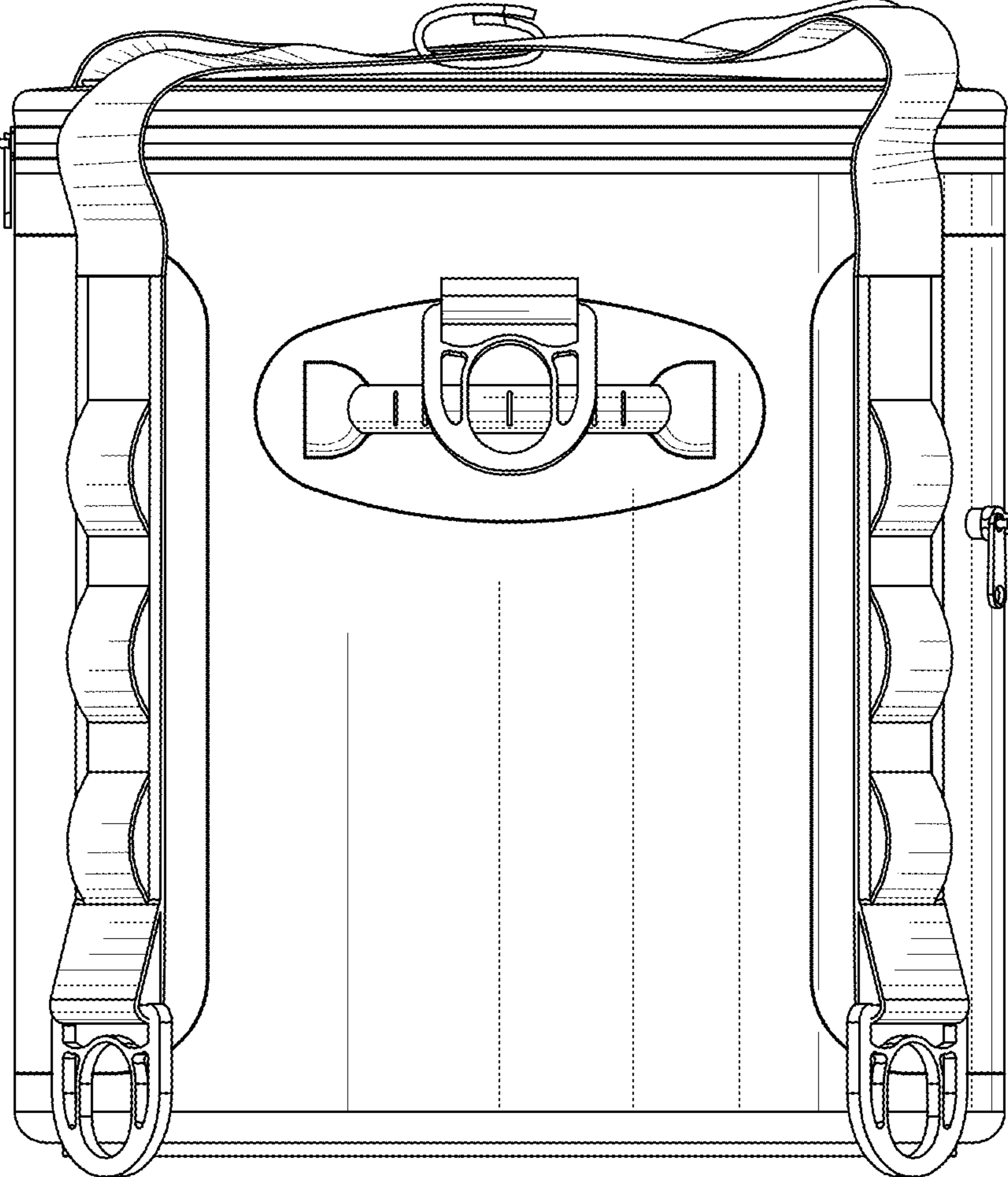


FIG. 4

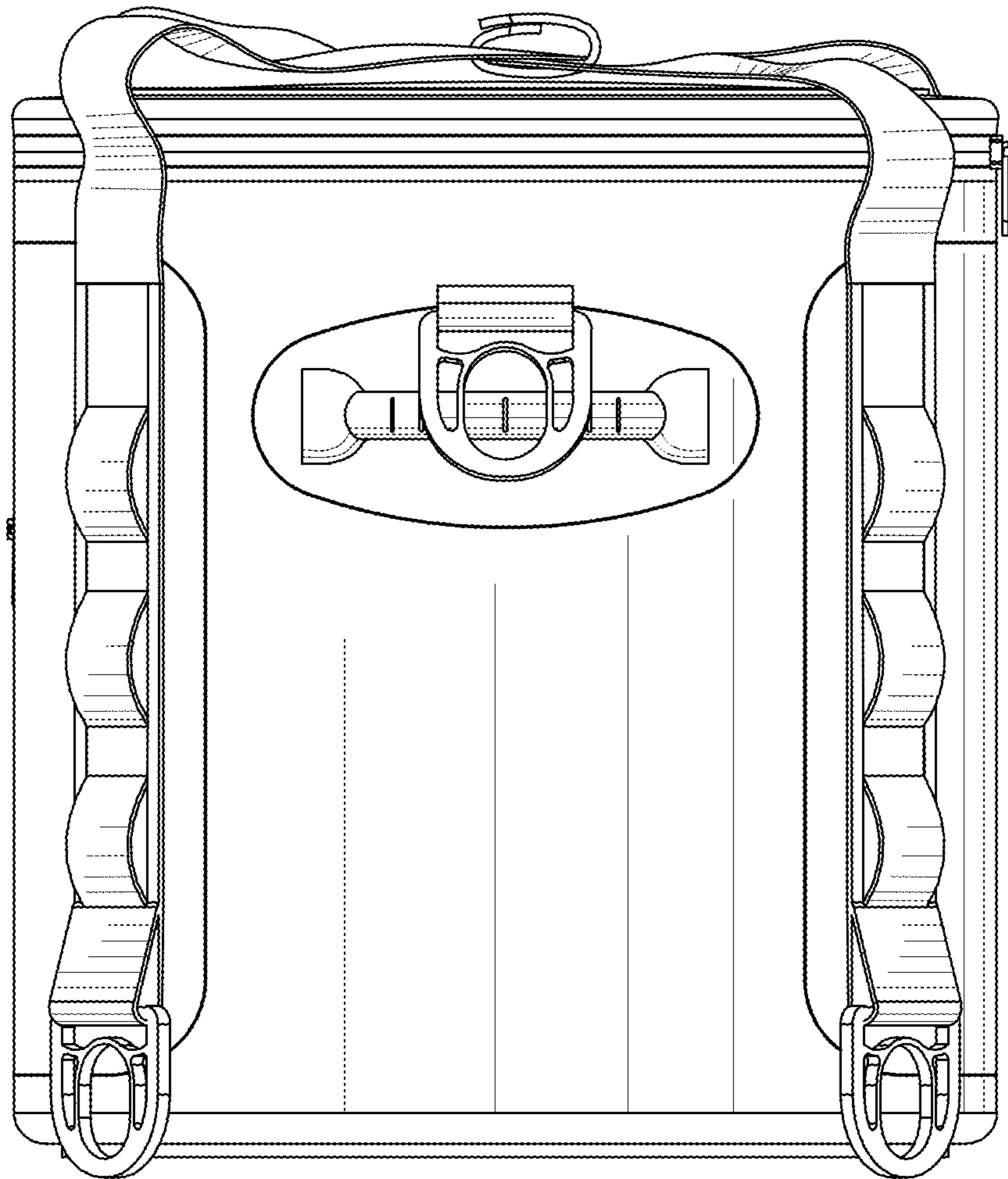


FIG. 5

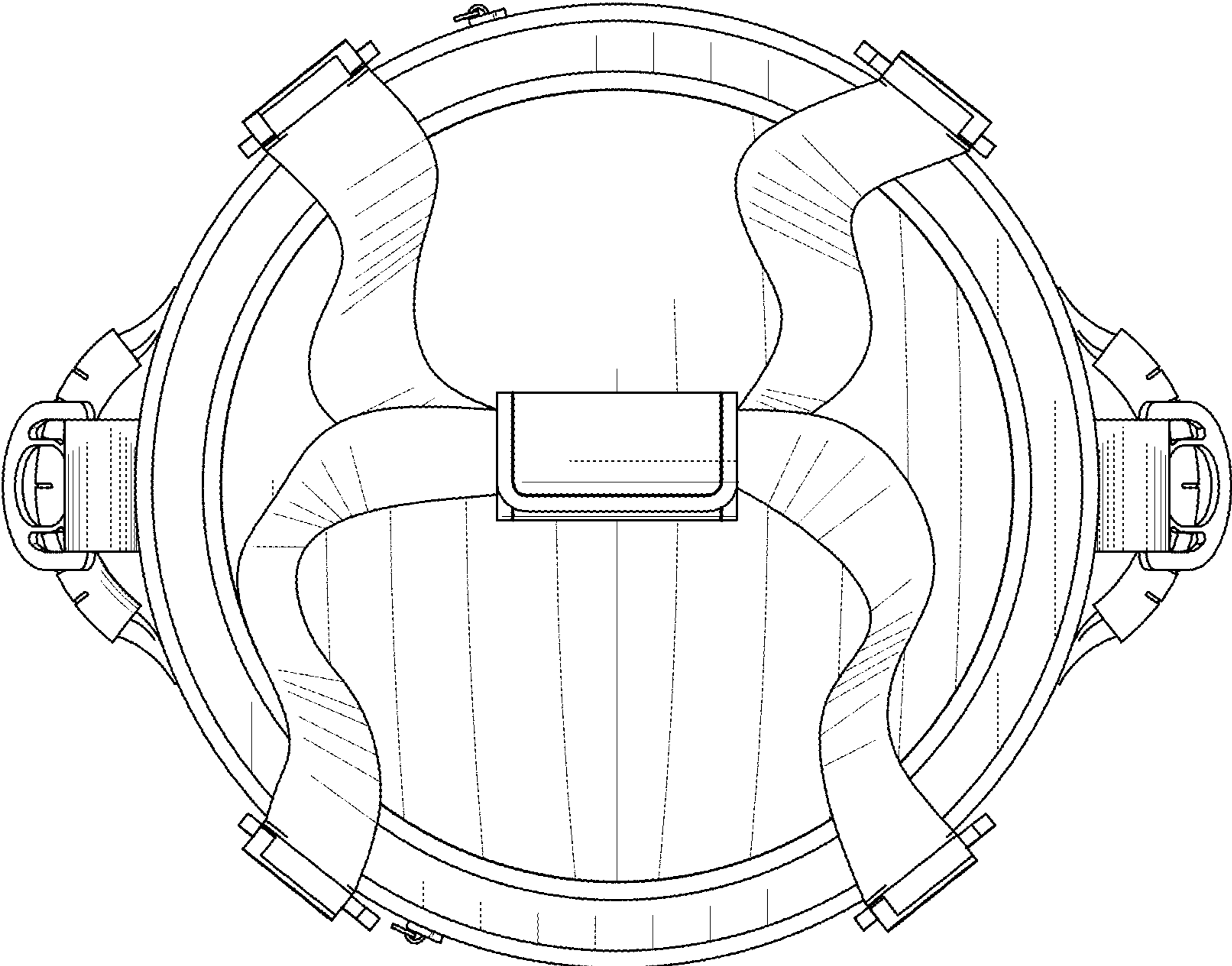


FIG. 6

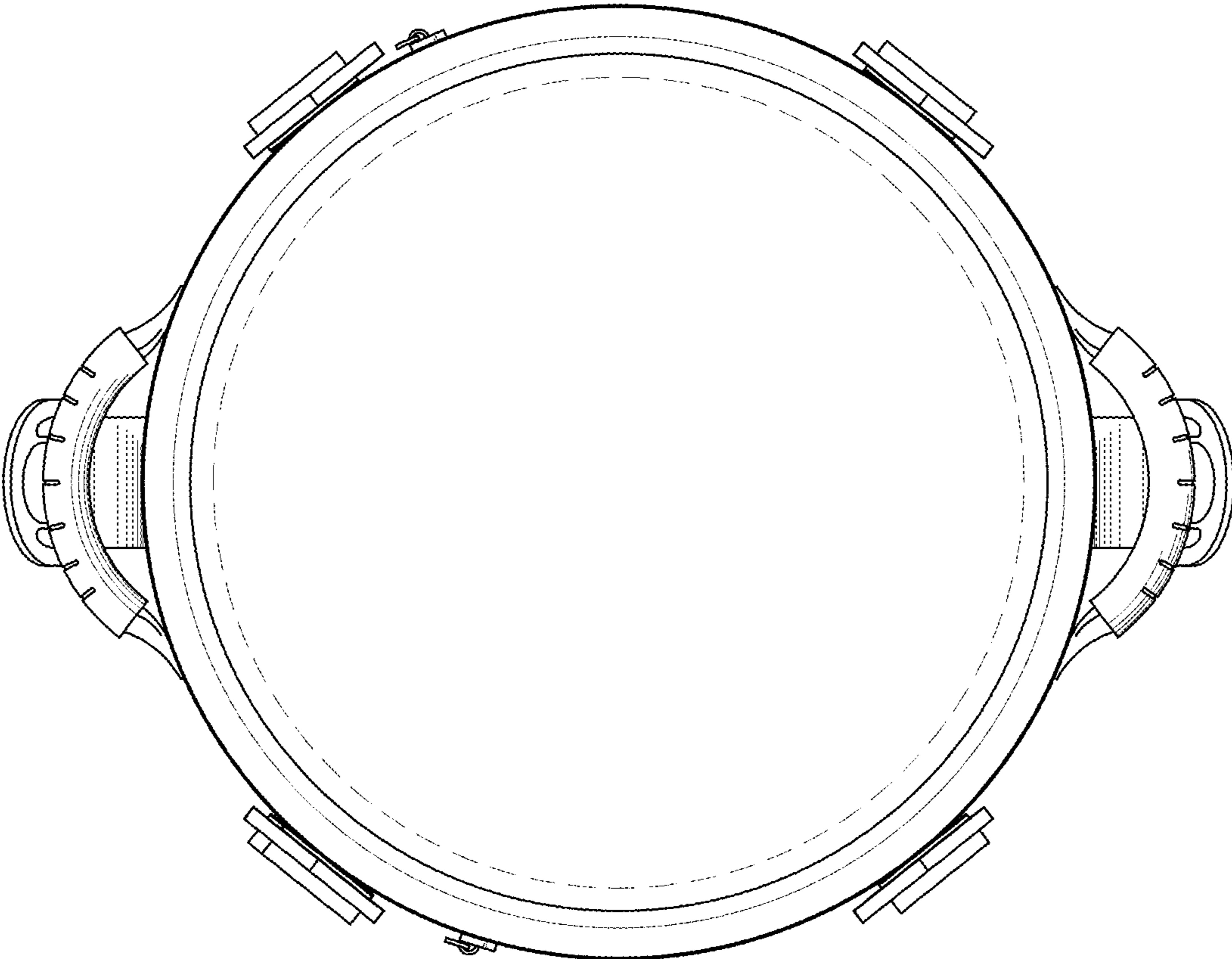


FIG. 7

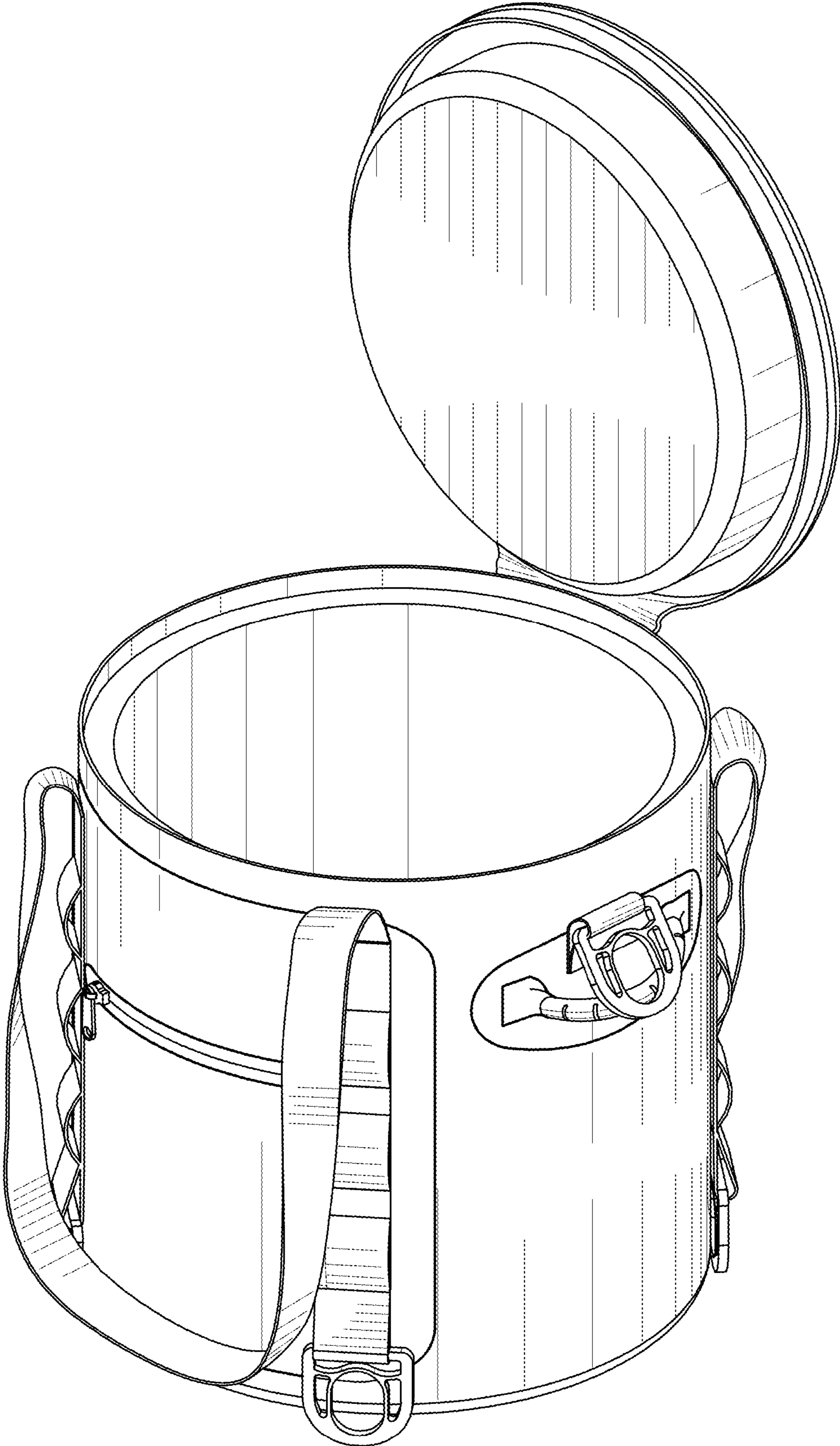


FIG. 8