



US00D942813S

(12) **United States Design Patent** (10) **Patent No.:** **US D942,813 S**
Sena Gonzalez (45) **Date of Patent:** **** Feb. 8, 2022**

(54) **COOLER**

(71) Applicant: **Mario A Sena Gonzalez**, Toney, AL
(US)

(72) Inventor: **Mario A Sena Gonzalez**, Toney, AL
(US)

(**) Term: **15 Years**

(21) Appl. No.: **29/695,053**

(22) Filed: **Jun. 14, 2019**

(51) **LOC (13) Cl.** **07-07**

(52) **U.S. Cl.**
USPC **D7/606**

(58) **Field of Classification Search**
USPC D7/601, 602, 603, 605, 607, 624.2, 703,
D7/334; D6/686, 668
CPC B65D 77/24; B65D 85/816; B65D 1/0207;
F25D 2331/809
See application file for complete search history.

(56) **References Cited**

U.S. PATENT DOCUMENTS

1,858,029	A *	5/1932	Ames	137/170.1
D123,637	S *	11/1940	Karoff	D9/633
2,663,157	A *	12/1953	Laramy	F25D 3/08
				62/329
D220,462	S *	4/1971	De Van et al.	D7/301
D263,529	S *	3/1982	Magyar	D6/407
4,826,029	A *	5/1989	Skoglie	B65D 39/00
				215/355
D344,204	S *	2/1994	Dixon	D34/39
D348,182	S *	6/1994	Young	D6/674
D389,601	S *	1/1998	Bartolotta	D27/188
D539,384	S *	3/2007	Bogison	D23/213
7,269,969	B2 *	9/2007	Strickland	B65D 25/282
				220/592.16
D603,575	S *	11/2009	Kerman	D23/202
D640,033	S *	6/2011	Magrenan	D34/39
D765,232	S *	8/2016	Horsfield	D23/343

D781,931	S *	3/2017	Sherman	D15/80
D800,411	S *	10/2017	Cutler	D34/39
D843,842	S *	3/2019	Perez	D9/633
D872,411	S *	1/2020	Houchens	D34/39
D896,733	S *	9/2020	Postlethwait	D12/401
D904,885	S *	12/2020	Bedford	D9/451

(Continued)

OTHER PUBLICATIONS

Mantitlement website, Reclaimed Tequila Barrel Cooler, Earliest comment date Feb. 25, 2016, [site visited Dec. 19, 2020], Available on the Internet URL <https://www.mantitlement.com/reclaimed-tequilla-barrel-cooler/> (Year: 2016).*

Primary Examiner — S. Bryan Reinholdt, Jr.

(74) *Attorney, Agent, or Firm* — Cynthia R. Wright

(57) **CLAIM**

The ornamental design for a cooler, as shown and described.

DESCRIPTION

FIG. 1 is a top view of a cooler in a closed configuration showing my new design.

FIG. 2 is a front view thereof.

FIG. 3 is a bottom view thereof.

FIG. 4 is a top view of FIG. 1 in an open configuration.

FIG. 5 is a front view thereof.

FIG. 6 is a bottom view thereof.

FIG. 7 is a left side view of FIG. 2.

FIG. 8 is a right side view thereof.

FIG. 9 is a left side view of FIG. 5.

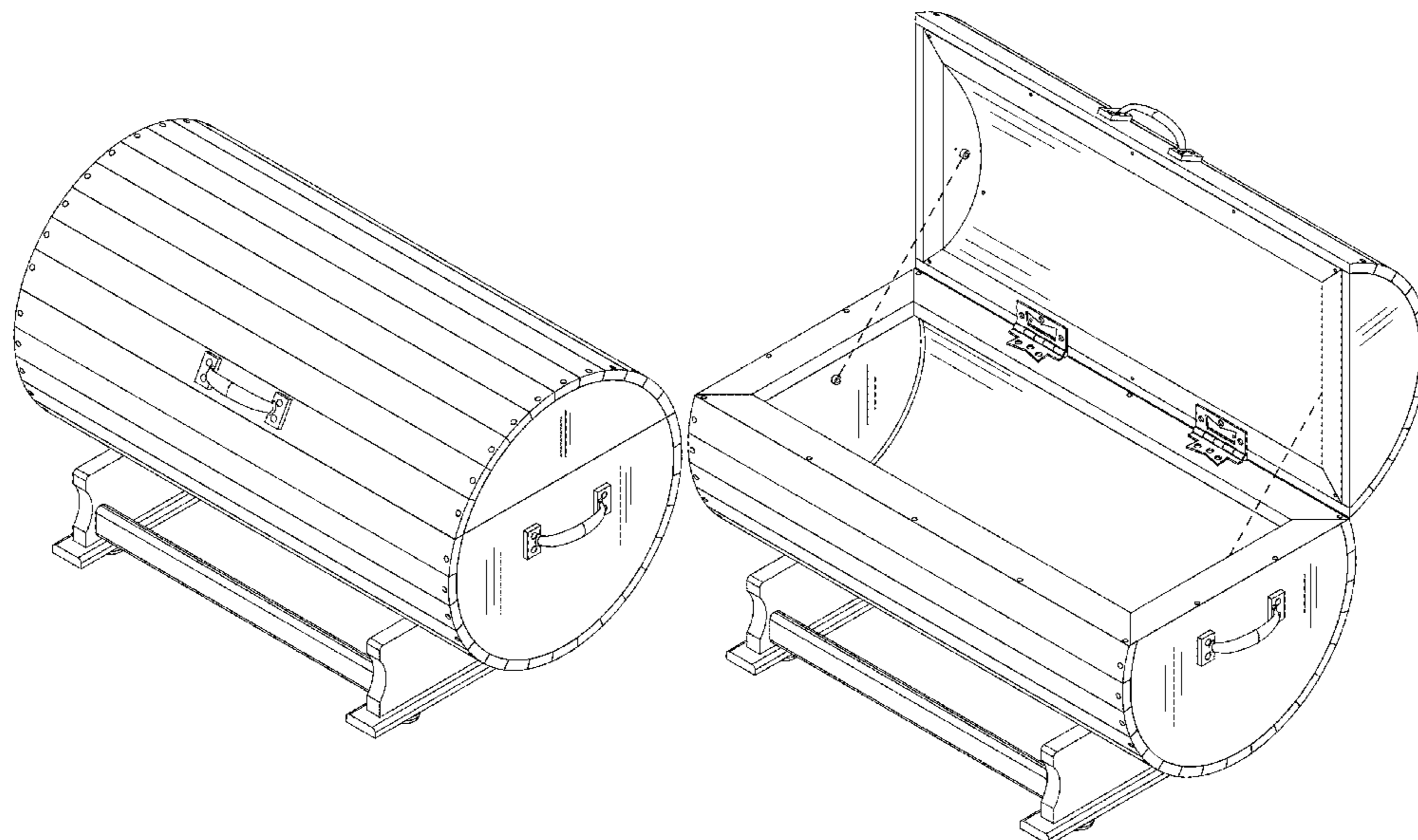
FIG. 10 is a right side view thereof.

FIG. 11 is a front, right, and top perspective view of FIG. 2; and,

FIG. 12 is a front, right, and top perspective view thereof shown in an open configuration.

The broken lines in the figures depict portions of the cooler that form no part of the claimed design.

1 Claim, 12 Drawing Sheets



(56)

References Cited

U.S. PATENT DOCUMENTS

2009/0136885 A1* 5/2009 Manno B27H 5/08
432/37
2020/0190451 A1* 6/2020 Molnar B65D 9/04

* cited by examiner

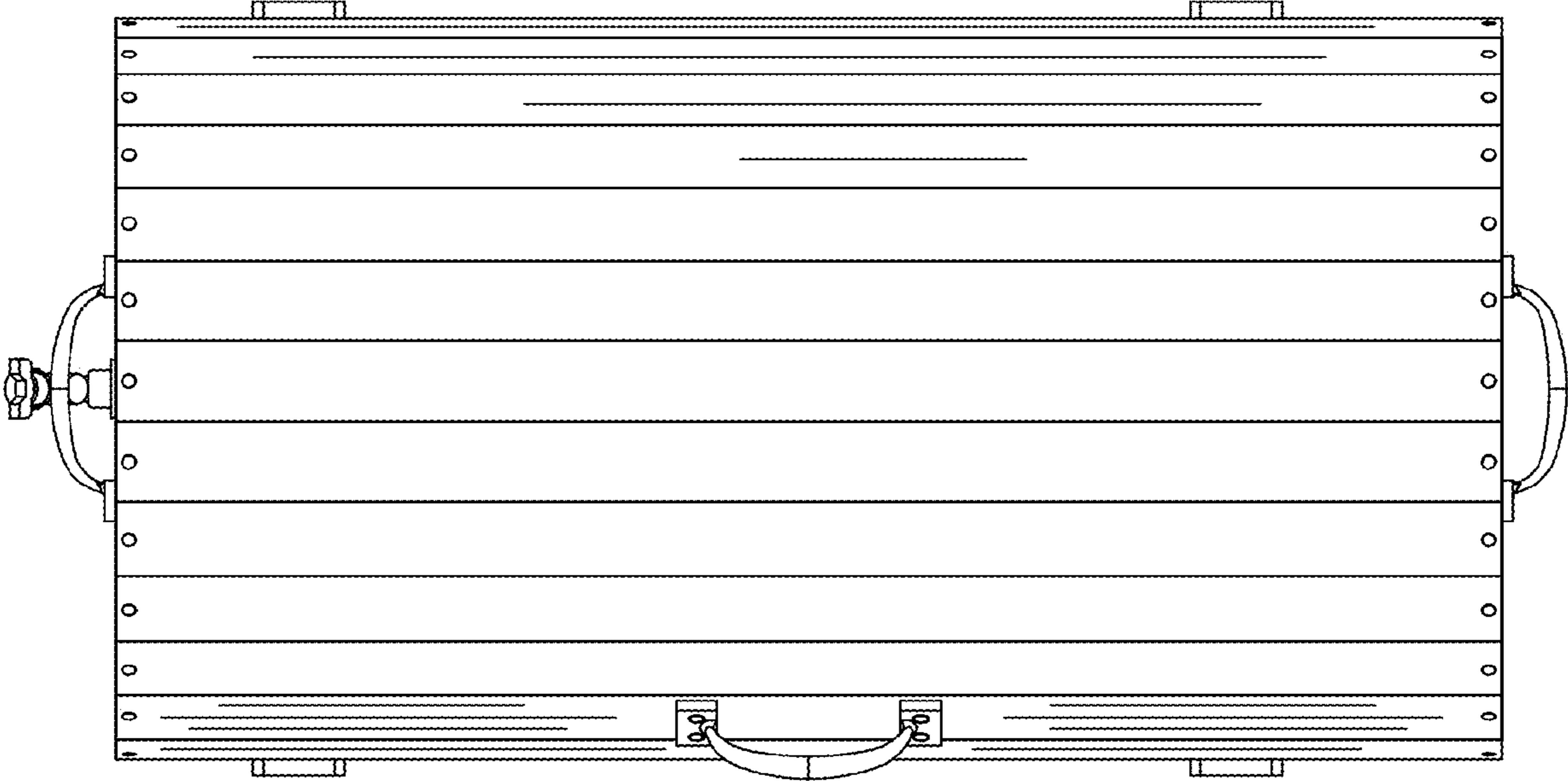


FIG. 1

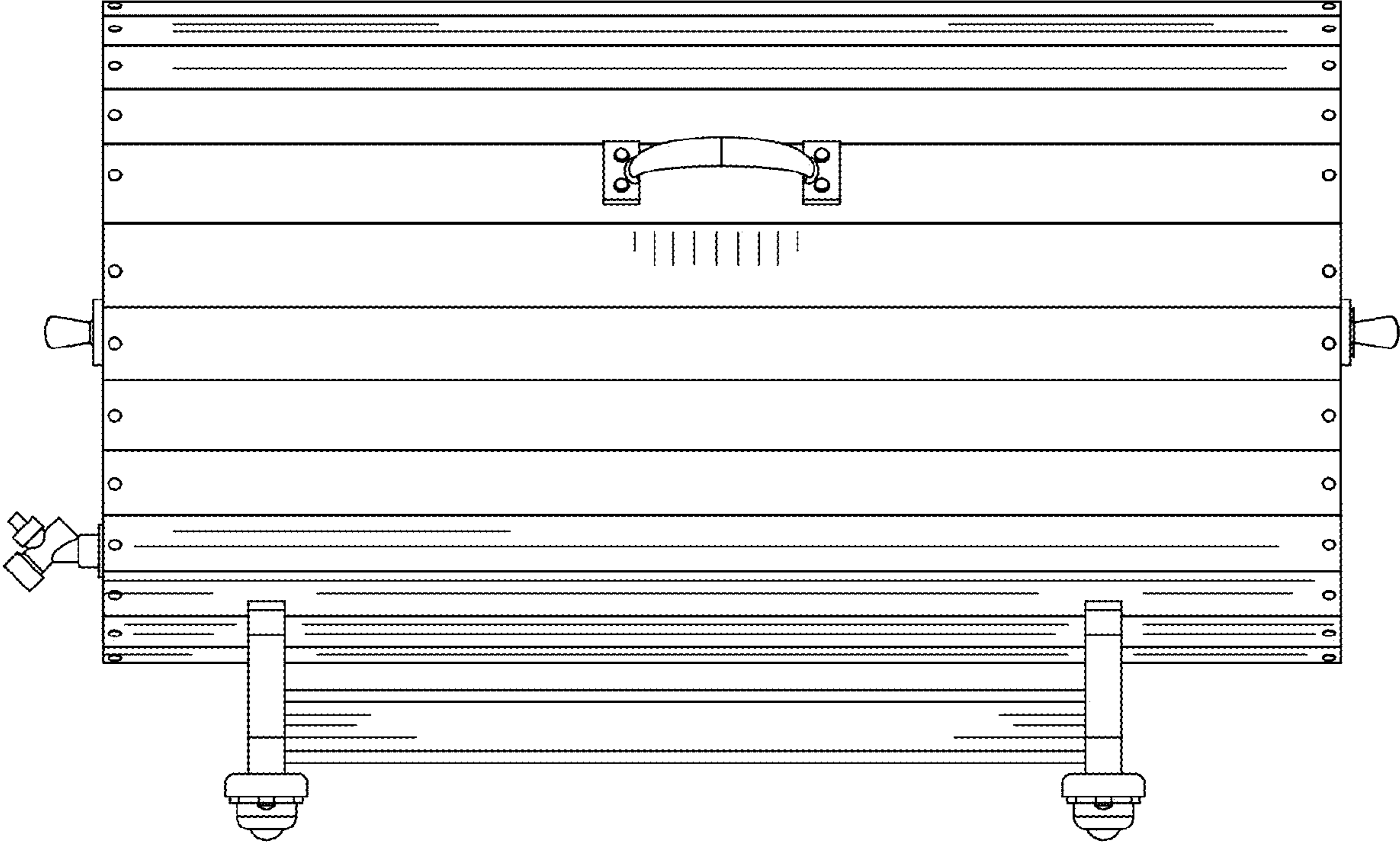


FIG. 2

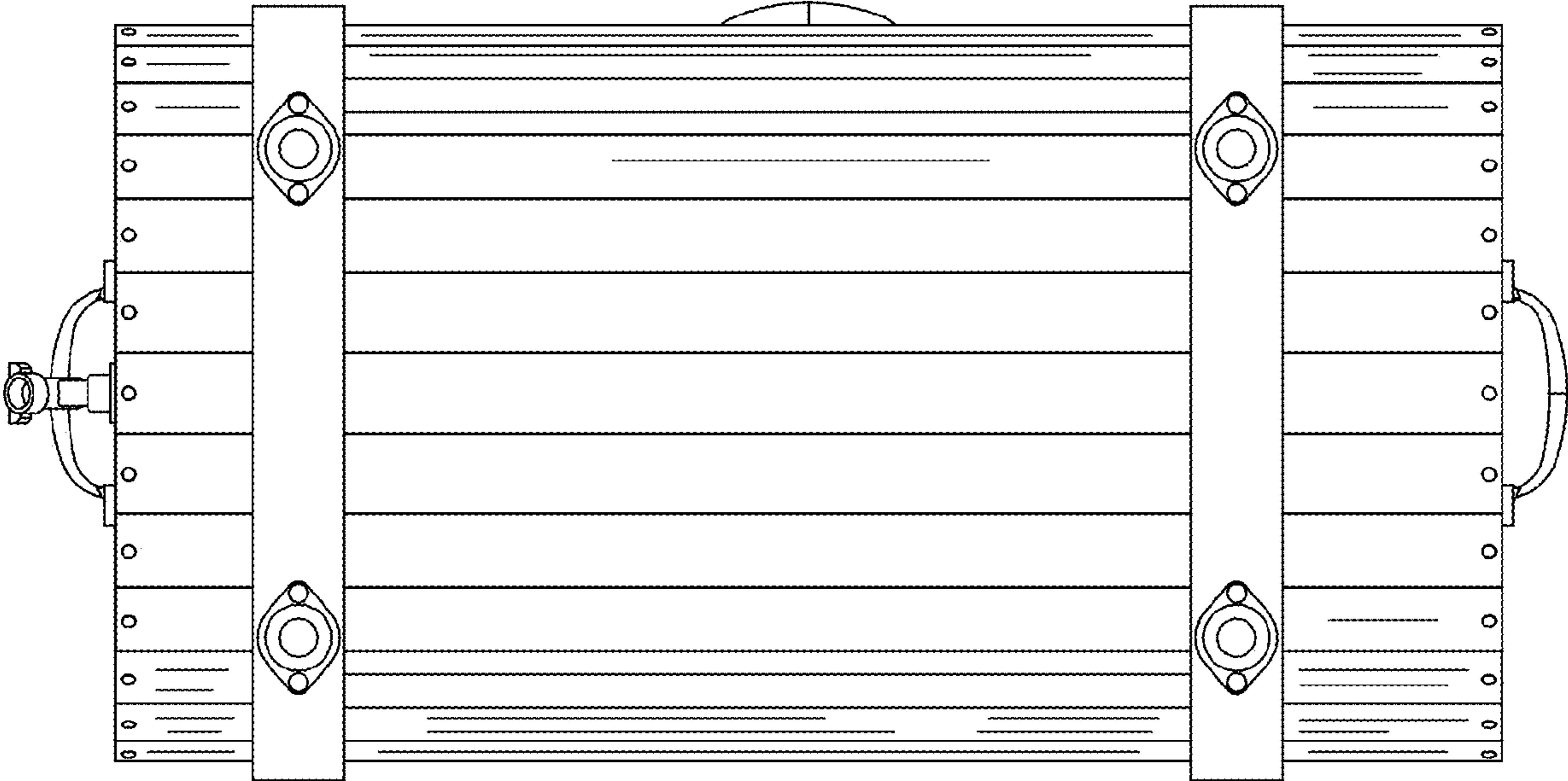


FIG. 3

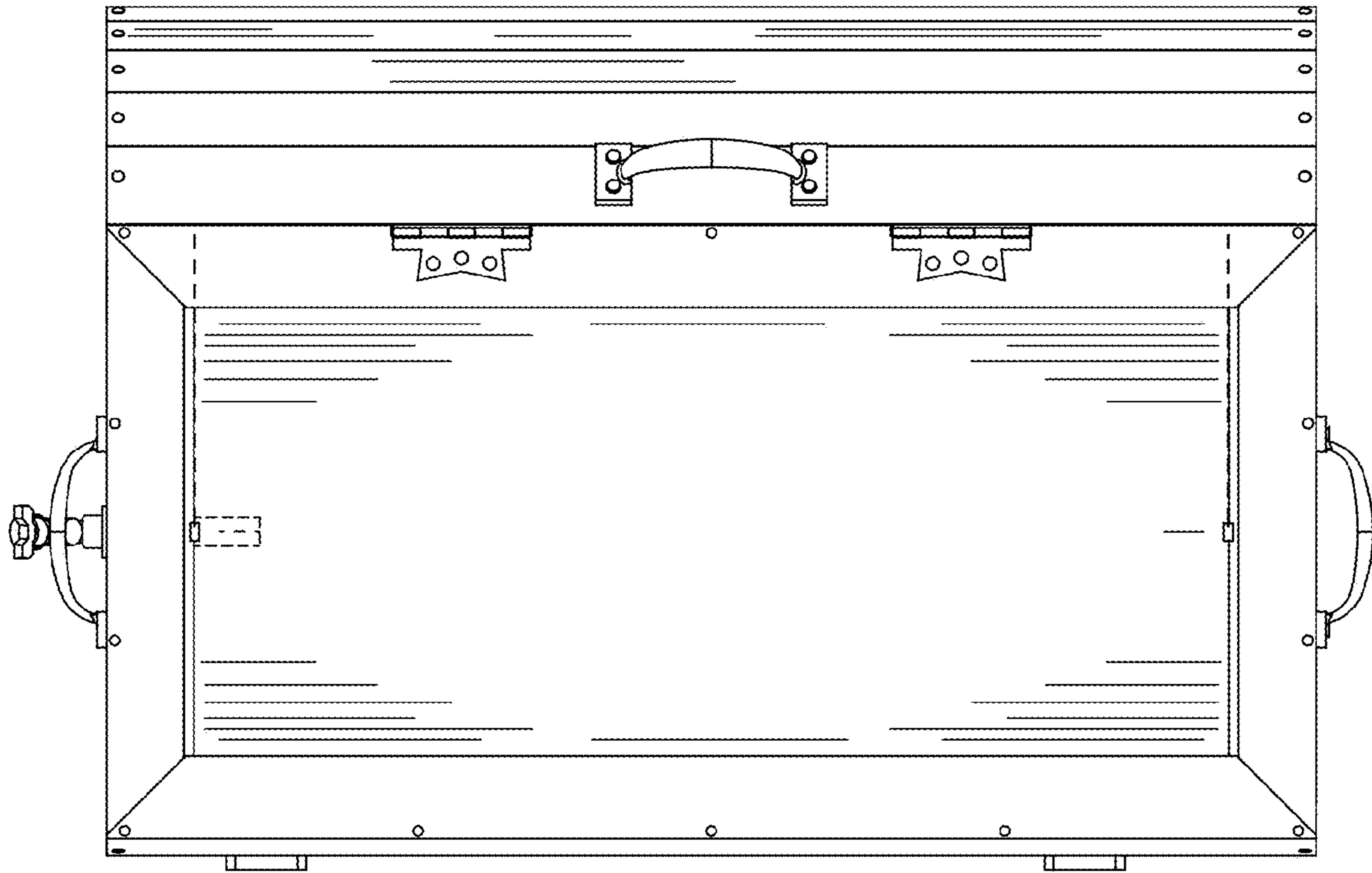


FIG. 4

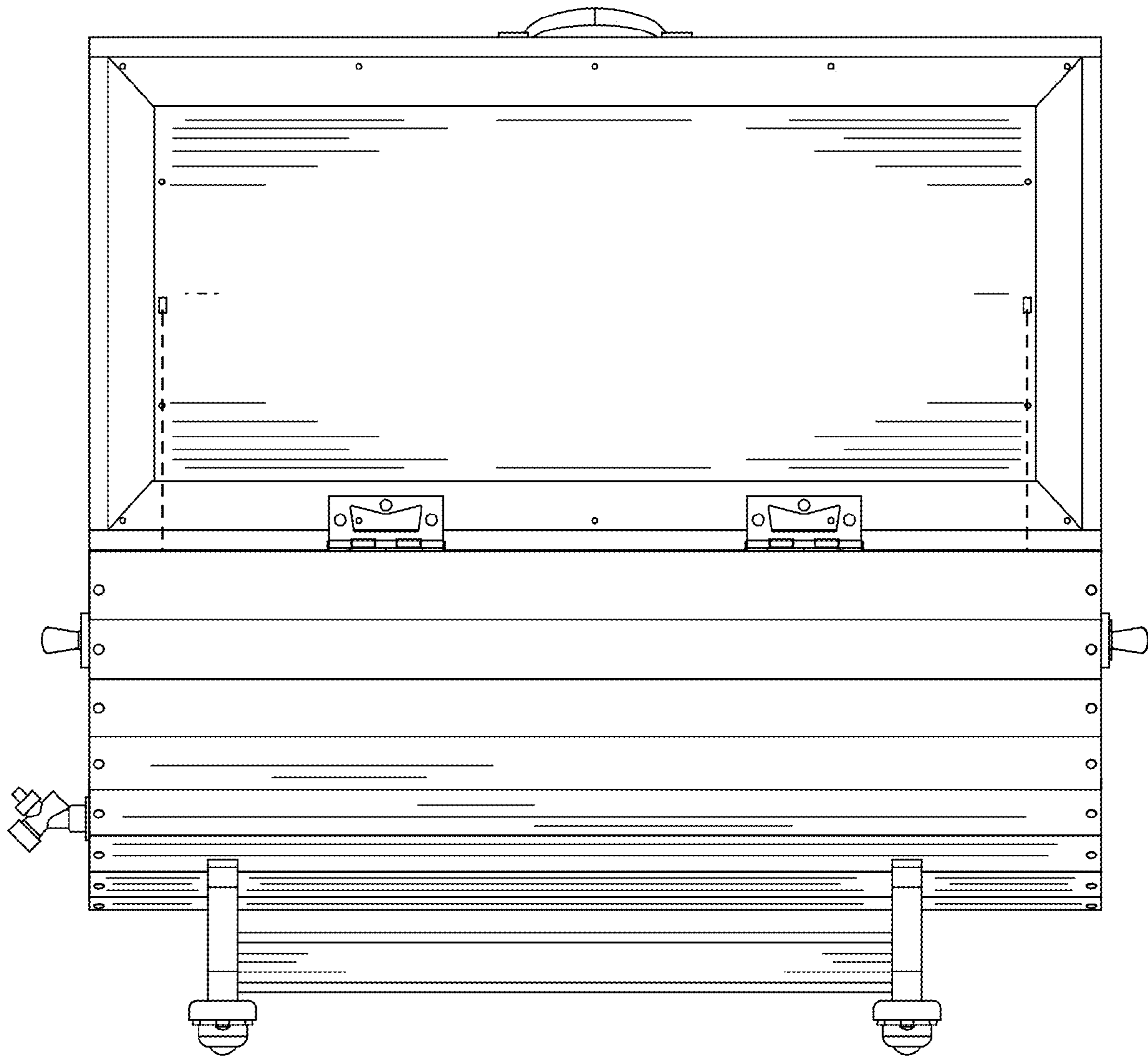


FIG. 5

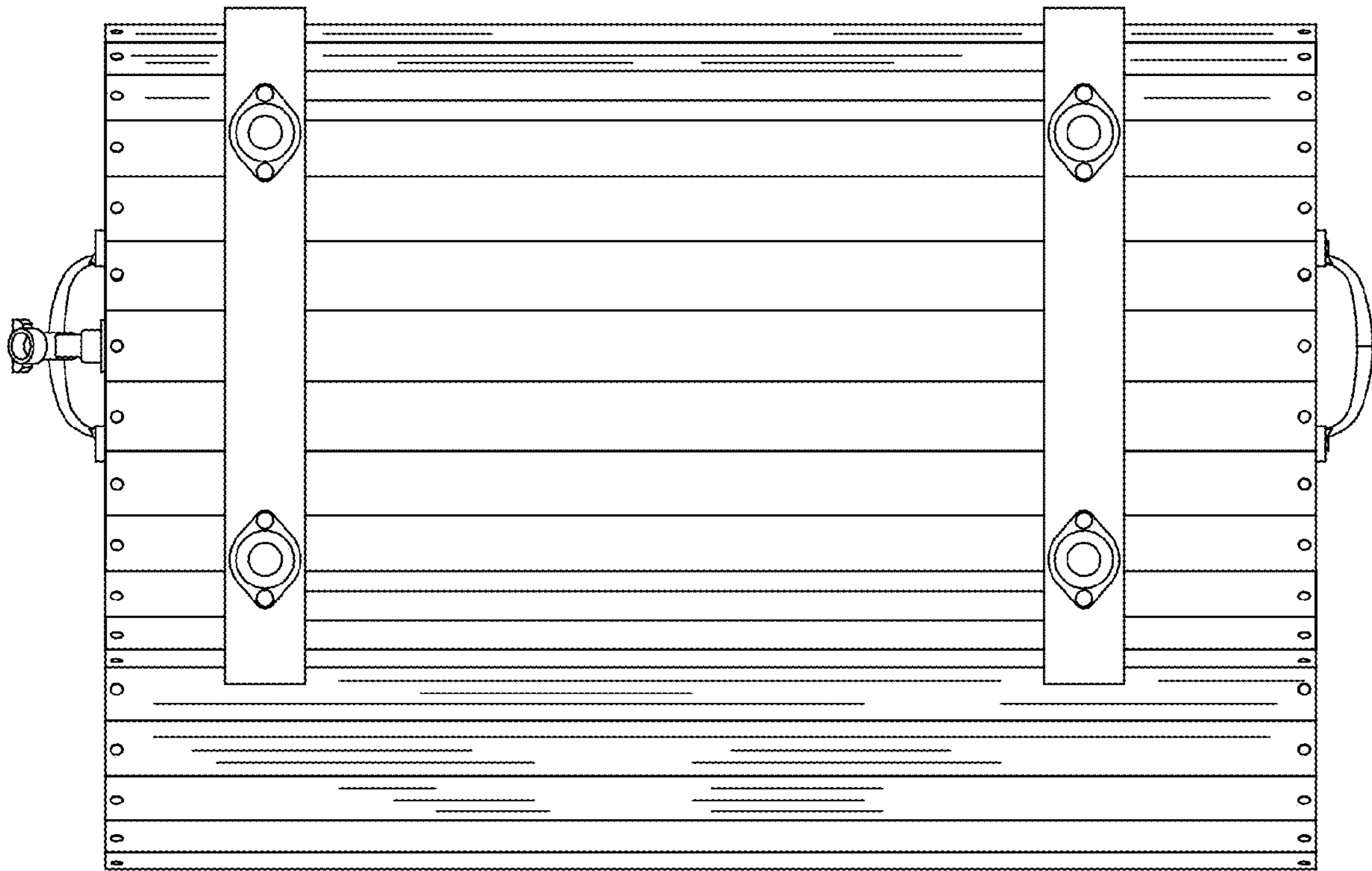


FIG. 6

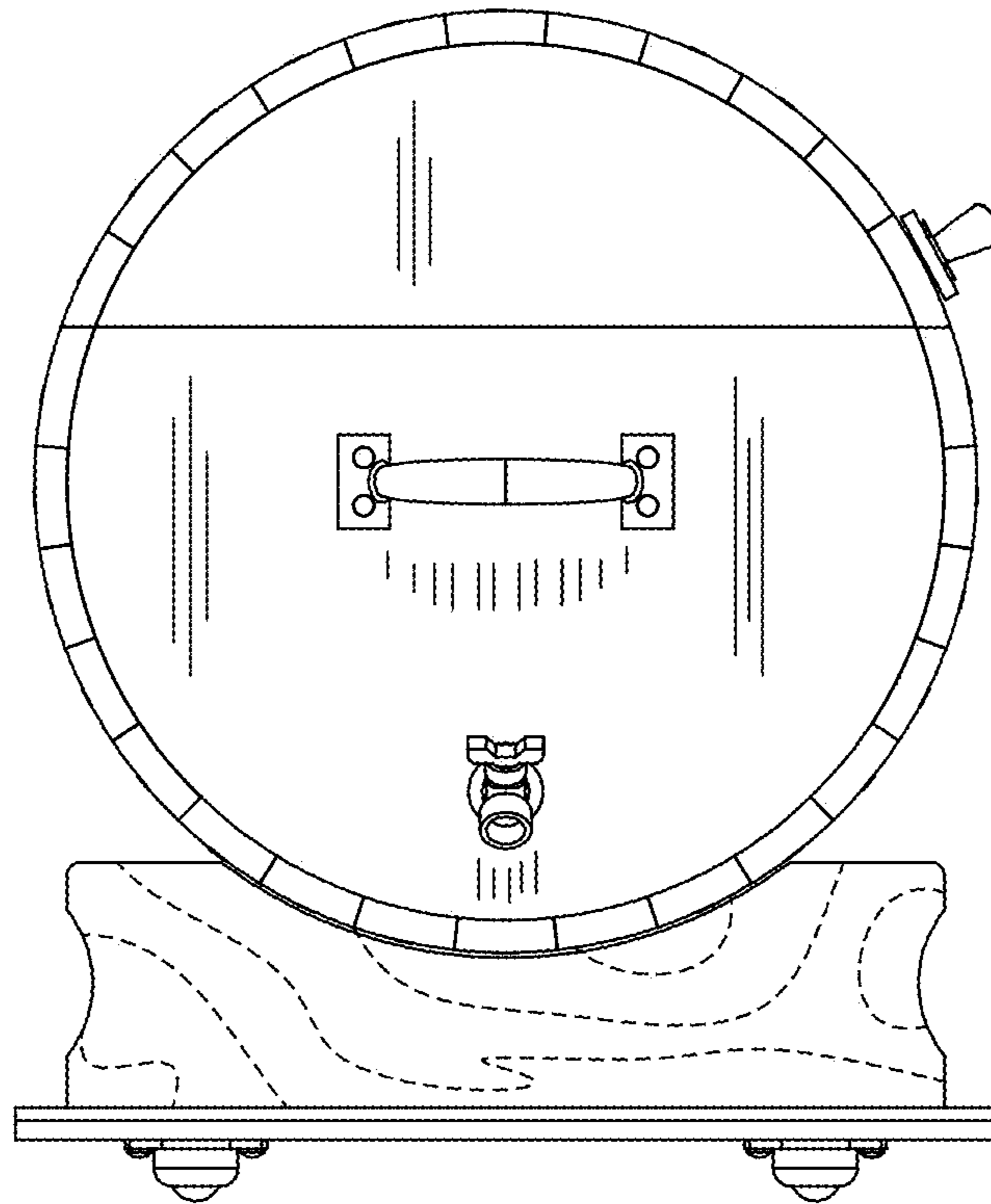


FIG. 7

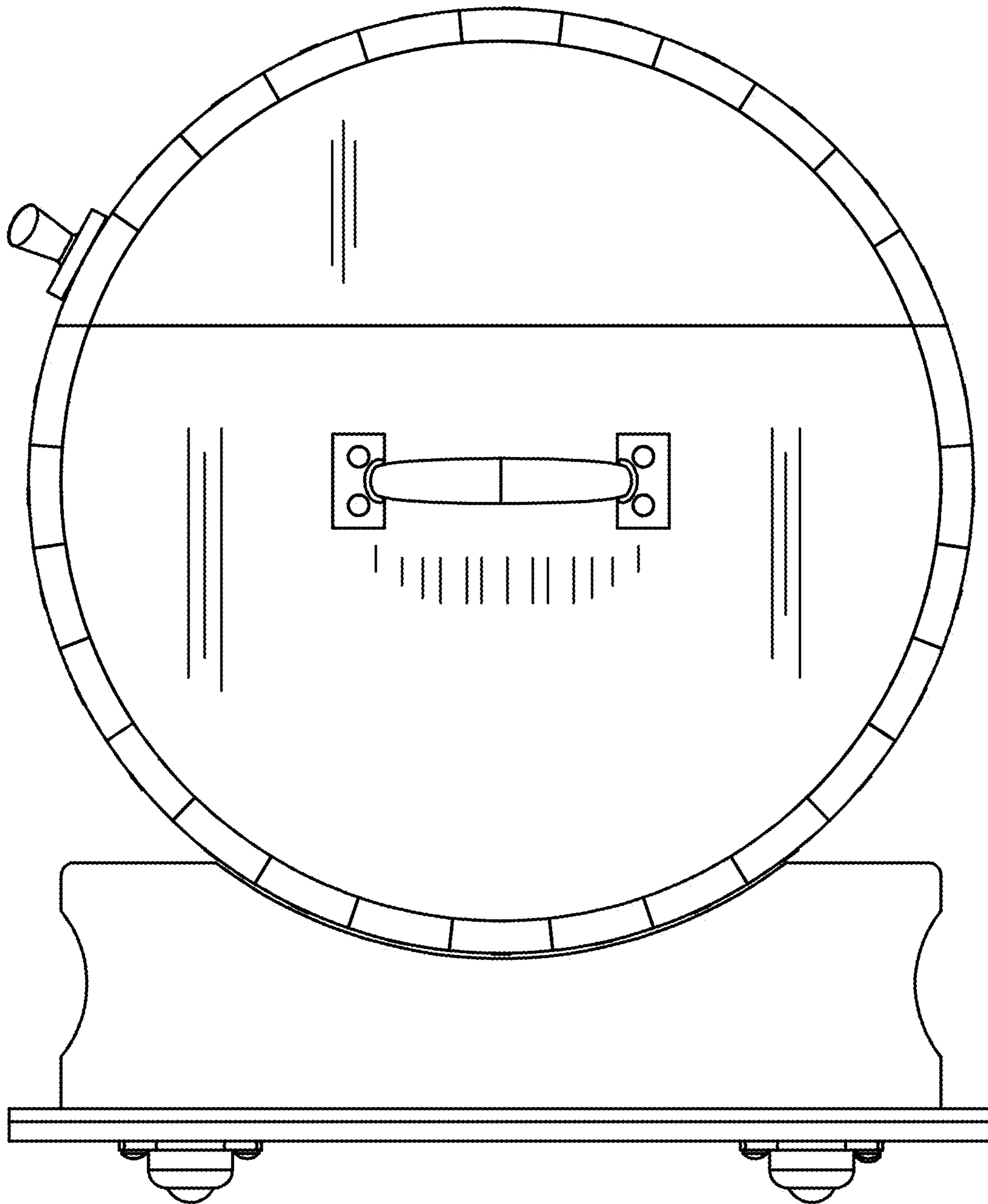


FIG. 8

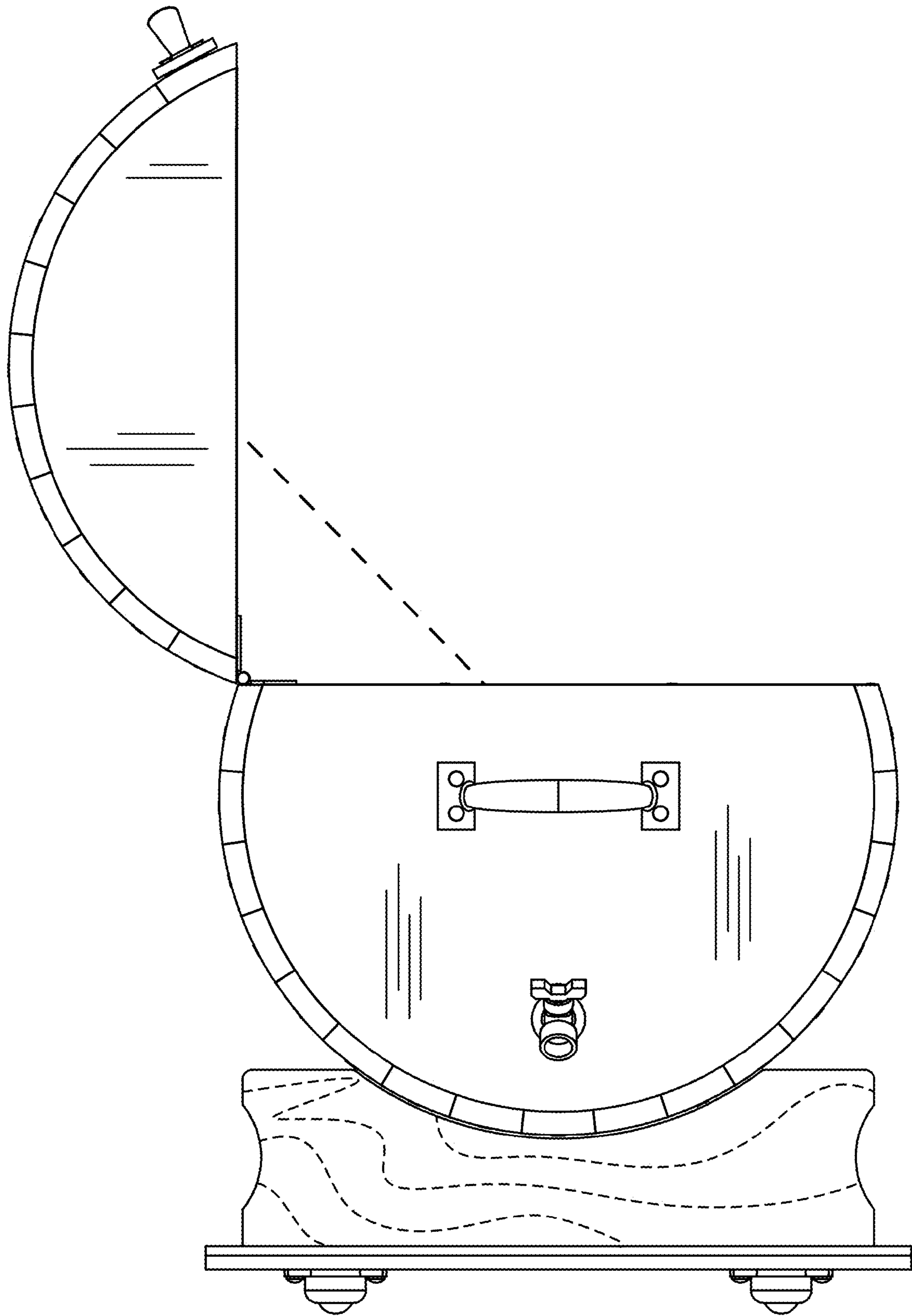


FIG. 9

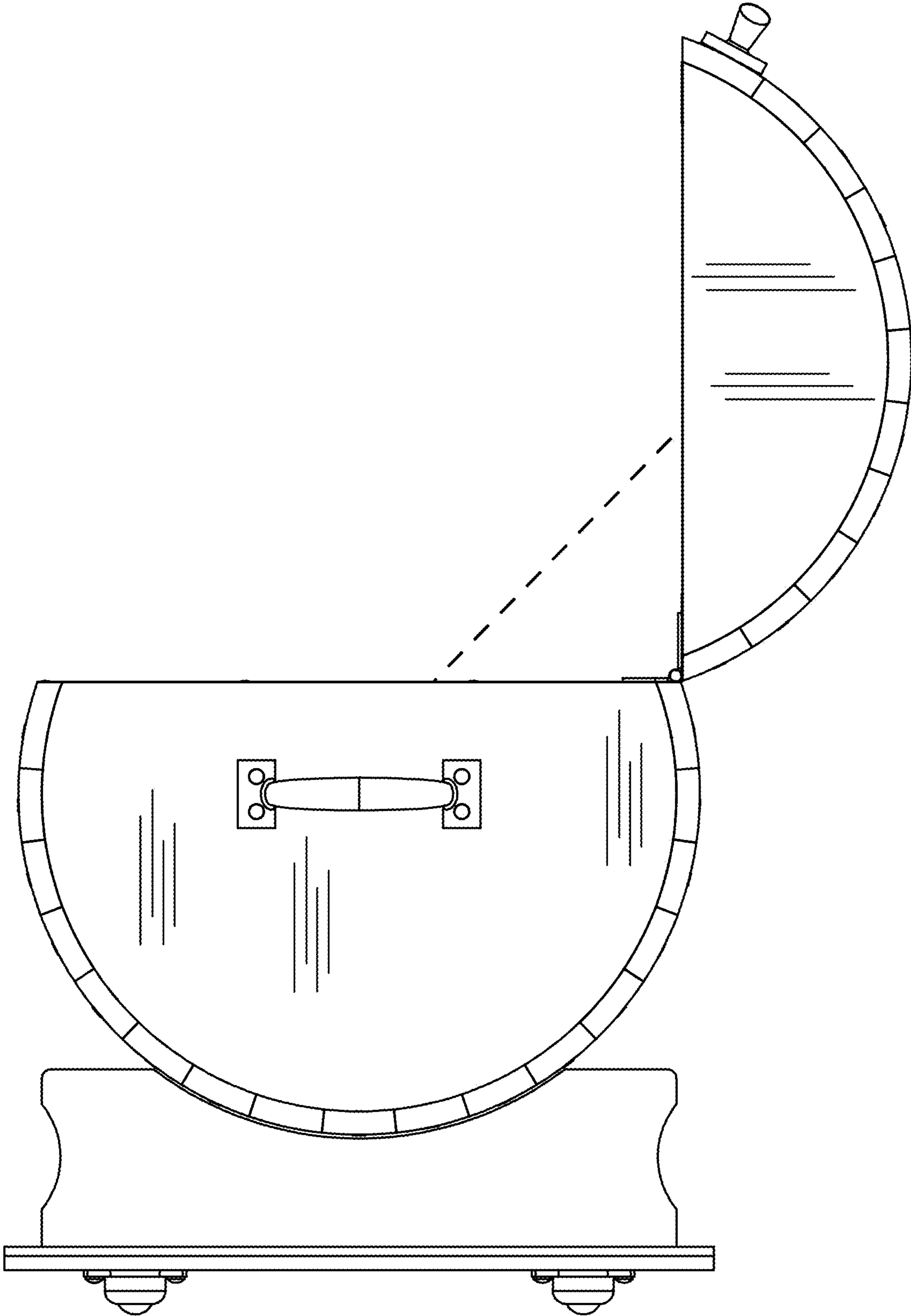


FIG. 10

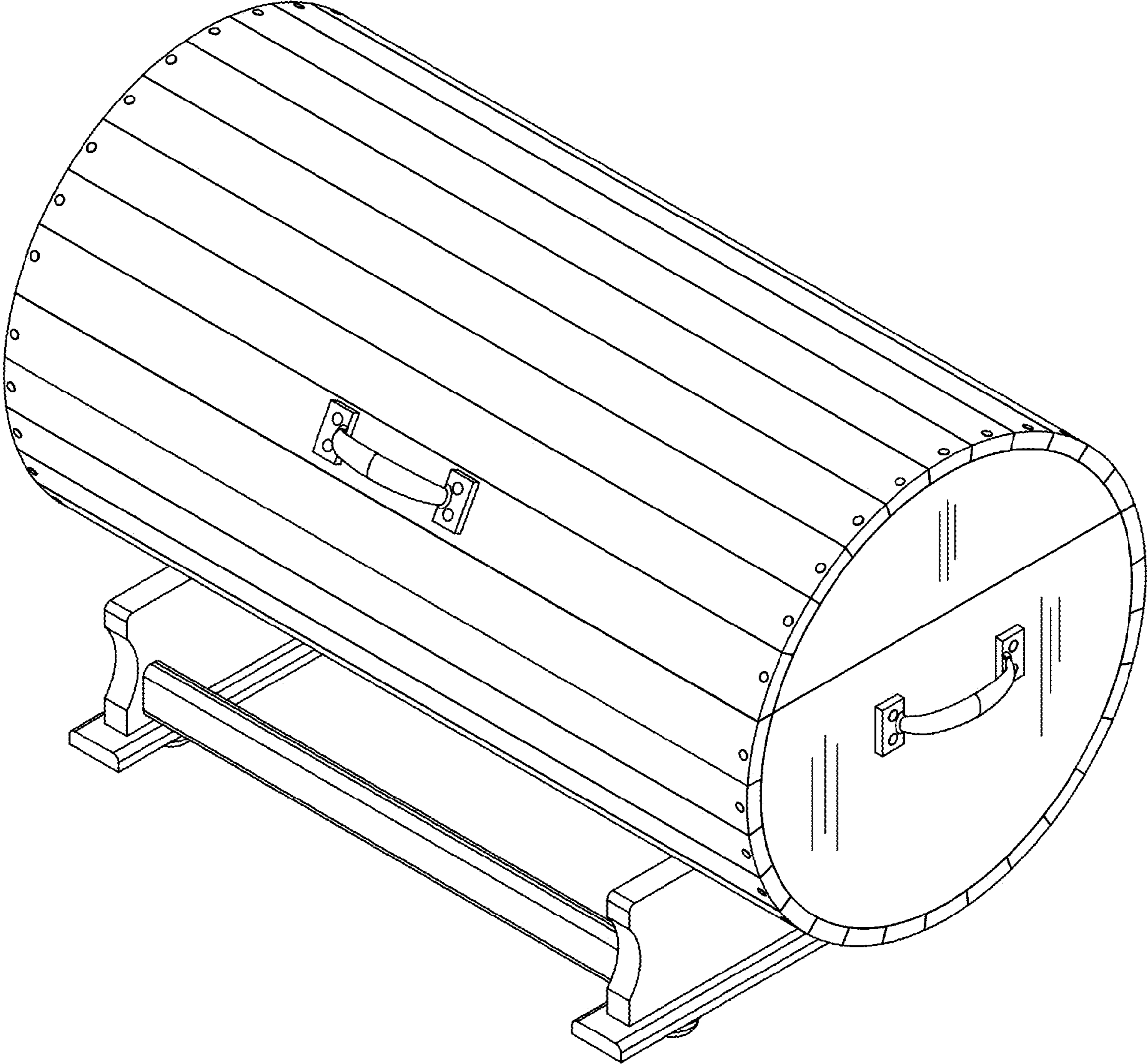


FIG. 11

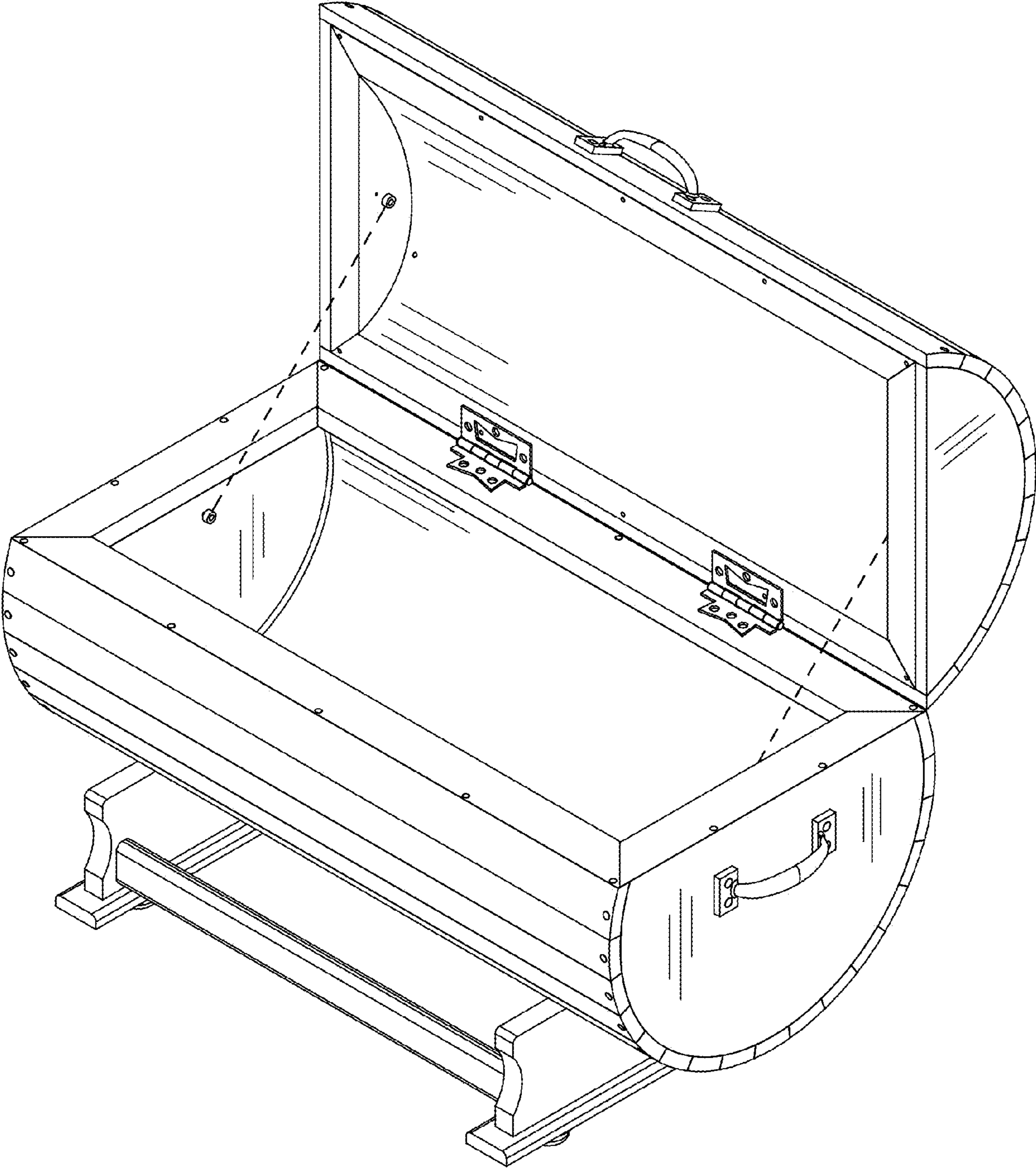


FIG. 12