



US00D942812S

(12) **United States Design Patent**
Luo et al.

(10) **Patent No.:** **US D942,812 S**

(45) **Date of Patent:** **** Feb. 8, 2022**

(54) **COOLER BOX**

(71) Applicant: **Ningbo Kuer Plastic Technology Co., Ltd, Cixi (CN)**

(72) Inventors: **Saijun Luo, Ningbo (CN); Shengli Huang, Ningbo (CN)**

(**) Term: **15 Years**

(21) Appl. No.: **29/696,172**

(22) Filed: **Jun. 25, 2019**

(30) **Foreign Application Priority Data**

Jun. 20, 2019 (CN) 201930322411.6

(51) **LOC (13) Cl.** **07-07**

(52) **U.S. Cl.**
USPC **D7/605**

(58) **Field of Classification Search**
USPC D7/601, 602, 603, 605, 607, 624.2, 703
CPC B65D 77/24
See application file for complete search history.

(56) **References Cited**

U.S. PATENT DOCUMENTS

D232,798 S *	9/1974	Roche	D7/605
D319,016 S *	8/1991	Kahl	D7/605
D325,324 S *	4/1992	Kahl	D7/605
D326,815 S *	6/1992	Meisner	D7/605
D340,167 S *	10/1993	Kahl	D7/605
D352,208 S *	11/1994	Brookshire	D7/605
D361,511 S *	8/1995	Dickinson	D7/605
D398,816 S *	9/1998	Koutsouflakis	D7/605
D415,393 S *	10/1999	Kei	D7/605
D420,860 S *	2/2000	Golichowski	D7/605
D429,966 S *	8/2000	Israel	D7/605
D527,225 S *	8/2006	Krieger	D7/605
D536,580 S *	2/2007	Krieger	D7/605
D784,089 S *	4/2017	Furneaux	D7/605
D803,631 S *	11/2017	Min	D7/605

D805,356 S *	12/2017	Li	D7/605
D805,357 S *	12/2017	Li	D7/605
D806,483 S *	1/2018	Stanford	D7/605
D807,123 S *	1/2018	Carey	D7/605
D827,386 S *	9/2018	Ichikawa	D7/605
D831,352 S *	10/2018	Brunner	D3/281
D835,948 S *	12/2018	Jacobsen	D7/605
D836,402 S *	12/2018	Jacobsen	D7/605
D836,995 S *	1/2019	Carey	D7/605
D839,681 S *	2/2019	Evron	D7/605
D845,080 S *	4/2019	Jacobsen	D7/605

(Continued)

OTHER PUBLICATIONS

Alibaba website, 45QT roto-molded cooler box, Publication date unknown, [site visited Sep. 28, 2020], Available on the Internet URL https://www.alibaba.com/product-detail/45QT-roto-molded-customized-plastic-cooler_60614032510.html (Year: 2020).*

(Continued)

Primary Examiner — S. Bryan Reinholdt, Jr.

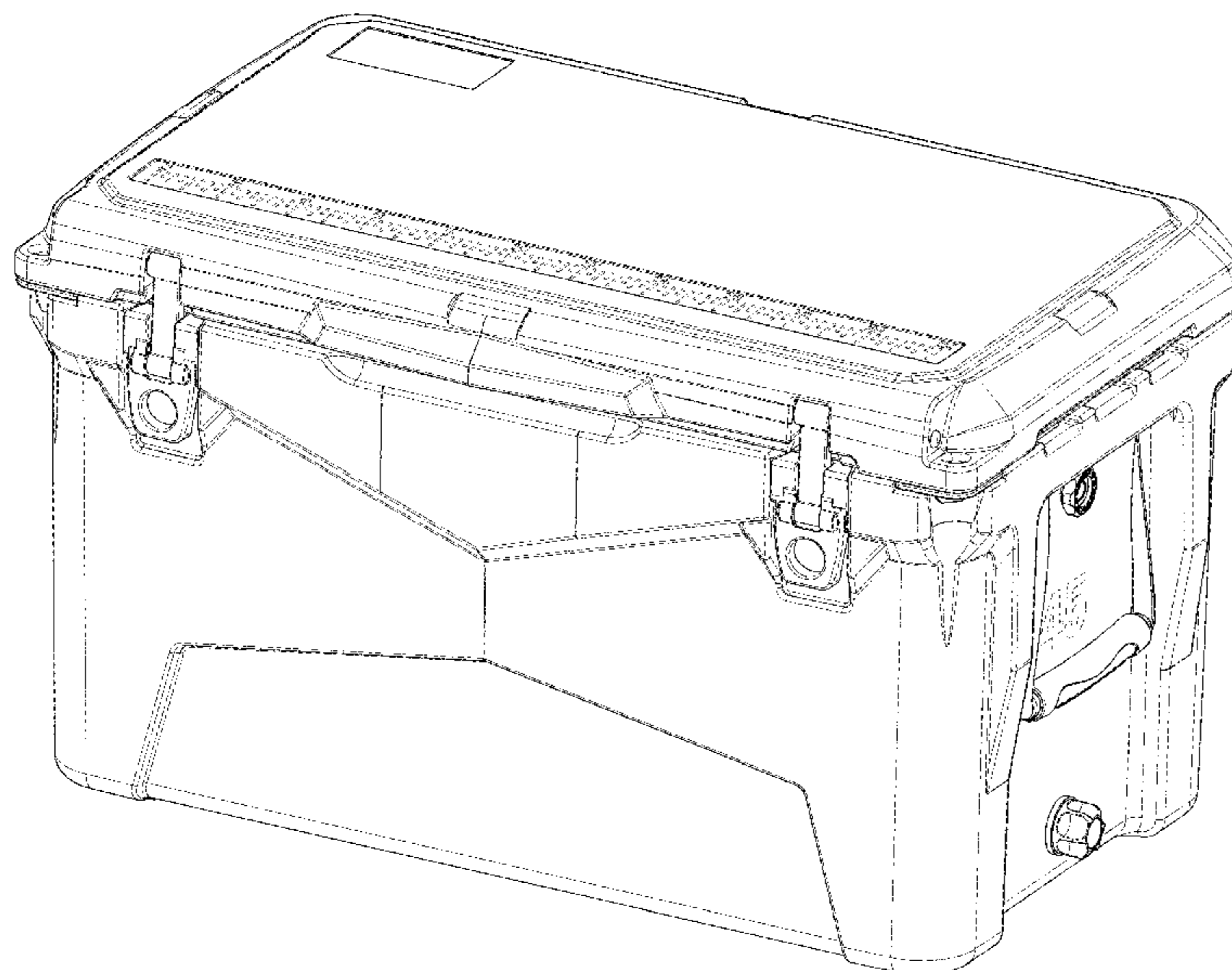
(57) **CLAIM**

The ornamental design for a cooler box, as shown and described.

DESCRIPTION

FIG. 1 is a front view of a cooler box showing our new design;
FIG. 2 is a top view thereof;
FIG. 3 is a left side view thereof;
FIG. 4 is a right side view thereof;
FIG. 5 is a bottom view thereof;
FIG. 6 is a rear view thereof; and,
FIG. 7 is a front perspective view thereof.
The broken lines and areas within them in the drawings depict portions of the cooler box that form no part of the claimed design.

1 Claim, 7 Drawing Sheets



(56)

References Cited

U.S. PATENT DOCUMENTS

D845,081 S * 4/2019 Jacobsen D7/605
 D866,267 S * 11/2019 Carey D7/605
 D873,085 S * 1/2020 DeFrancia D7/605
 D880,252 S * 4/2020 Jacobsen D7/605
 D880,951 S * 4/2020 Jacobsen D7/605
 D883,752 S * 5/2020 Carey D7/605
 D887,788 S * 6/2020 Meda D7/605
 D888,503 S * 6/2020 Meda D7/605
 D891,193 S * 7/2020 Stanford D7/605
 D891,195 S * 7/2020 Zhou D7/605
 D891,875 S * 8/2020 Olson D7/605
 D892,565 S * 8/2020 Astle D7/605
 D895,375 S * 9/2020 Hurley, Jr. D7/605
 D895,966 S * 9/2020 Brunner D3/294
 D896,517 S * 9/2020 Brunner D3/294
 D917,977 S * 5/2021 Brunner D7/605
 D922,065 S * 6/2021 Yang D3/260

D929,190 S * 8/2021 Stanford D7/605
 D929,813 S * 9/2021 Stanford D7/605
 2012/0132657 A1* 5/2012 Seiders B65D 81/3816
 2012/0292213 A1* 11/2012 Brunner B25H 3/028
 206/349
 2013/0062356 A1* 3/2013 Deka F25D 3/08
 220/592.2
 2017/0313492 A1* 11/2017 Seiders B65D 81/3818
 2020/0243925 A1* 7/2020 Polakowski H01M 10/658
 2020/0299027 A1* 9/2020 Brunner A45C 13/02

OTHER PUBLICATIONS

Kuer Group website, China Cheap Marine Commercial Fishing Ice cooler box, Publication date unknown, [site visited Sep. 28, 2020], Available on the Internet <https://www.kuer-group.com/china-cheap-marine-commercial-fishing-ice-cooler-box.html> (Year: 2020).*

* cited by examiner

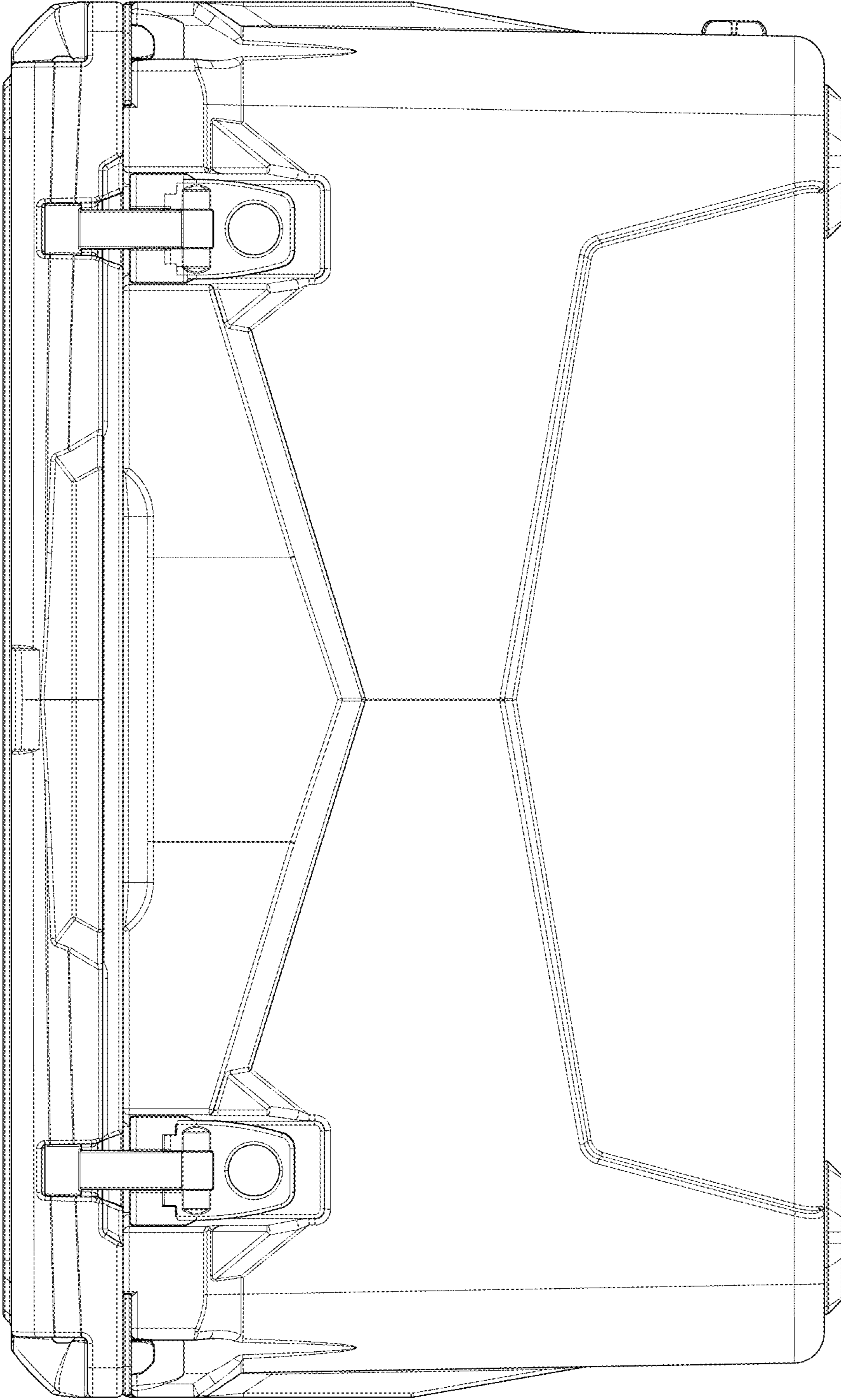


FIG. 1

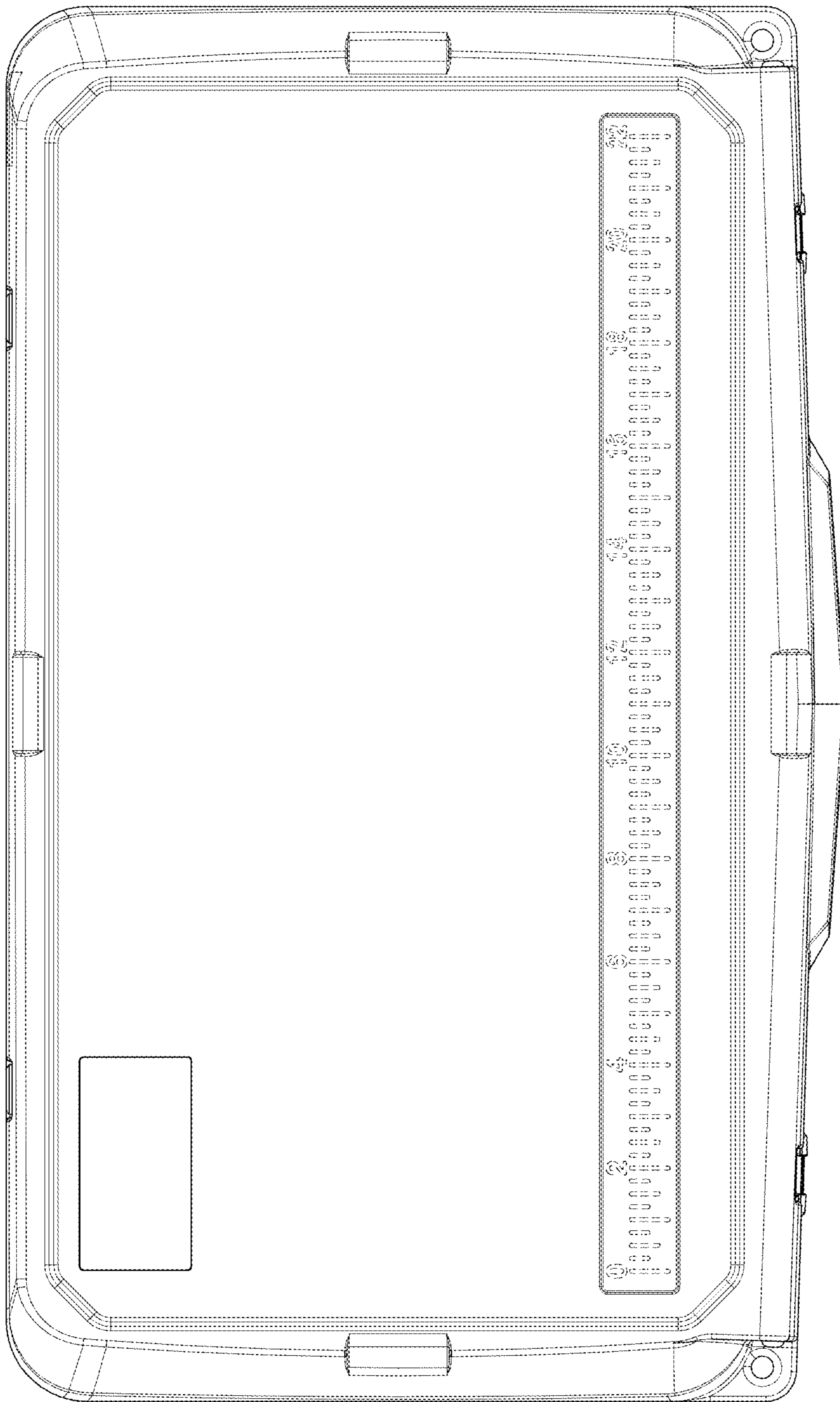


FIG. 2



FIG. 3

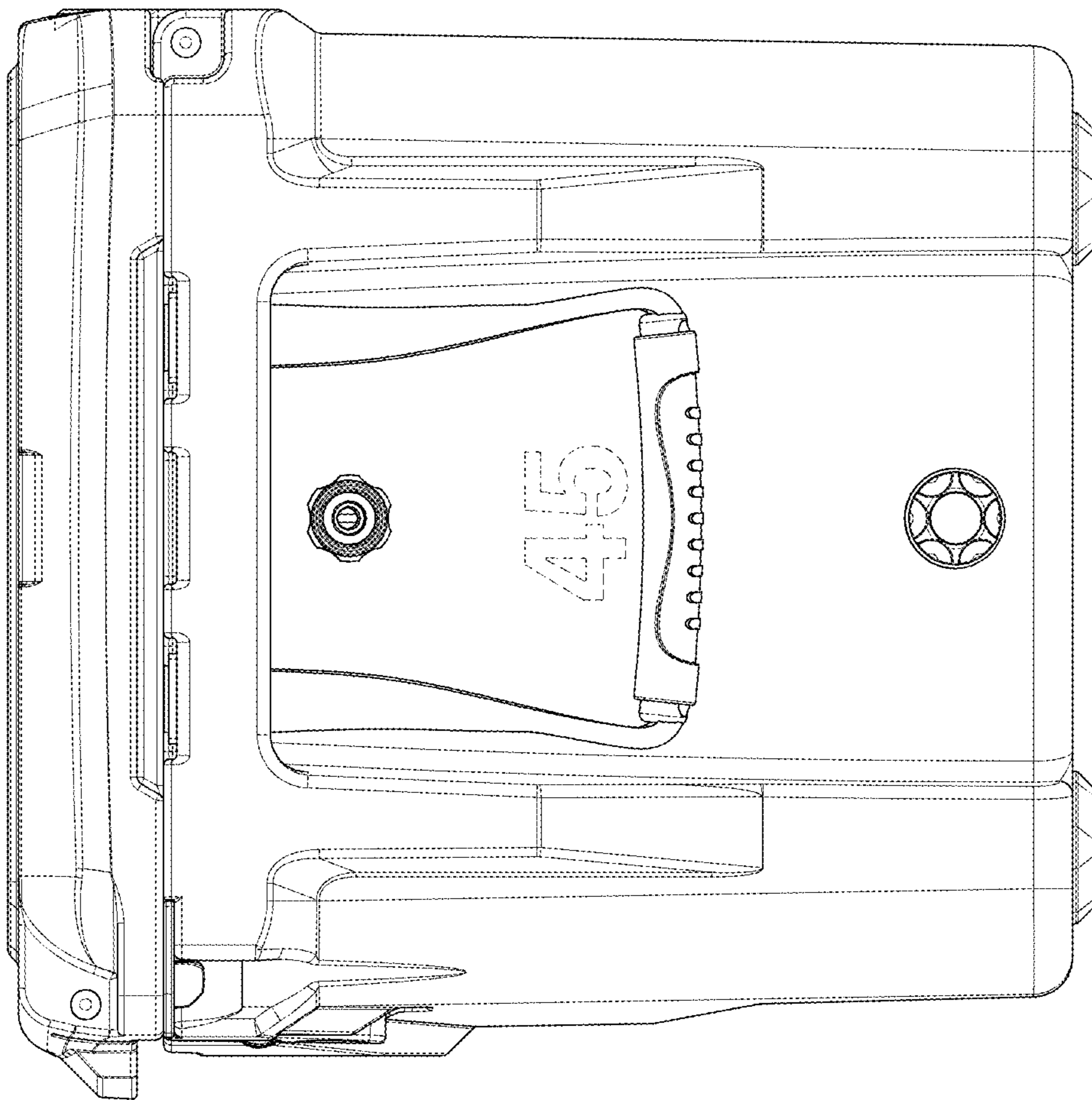


FIG. 4

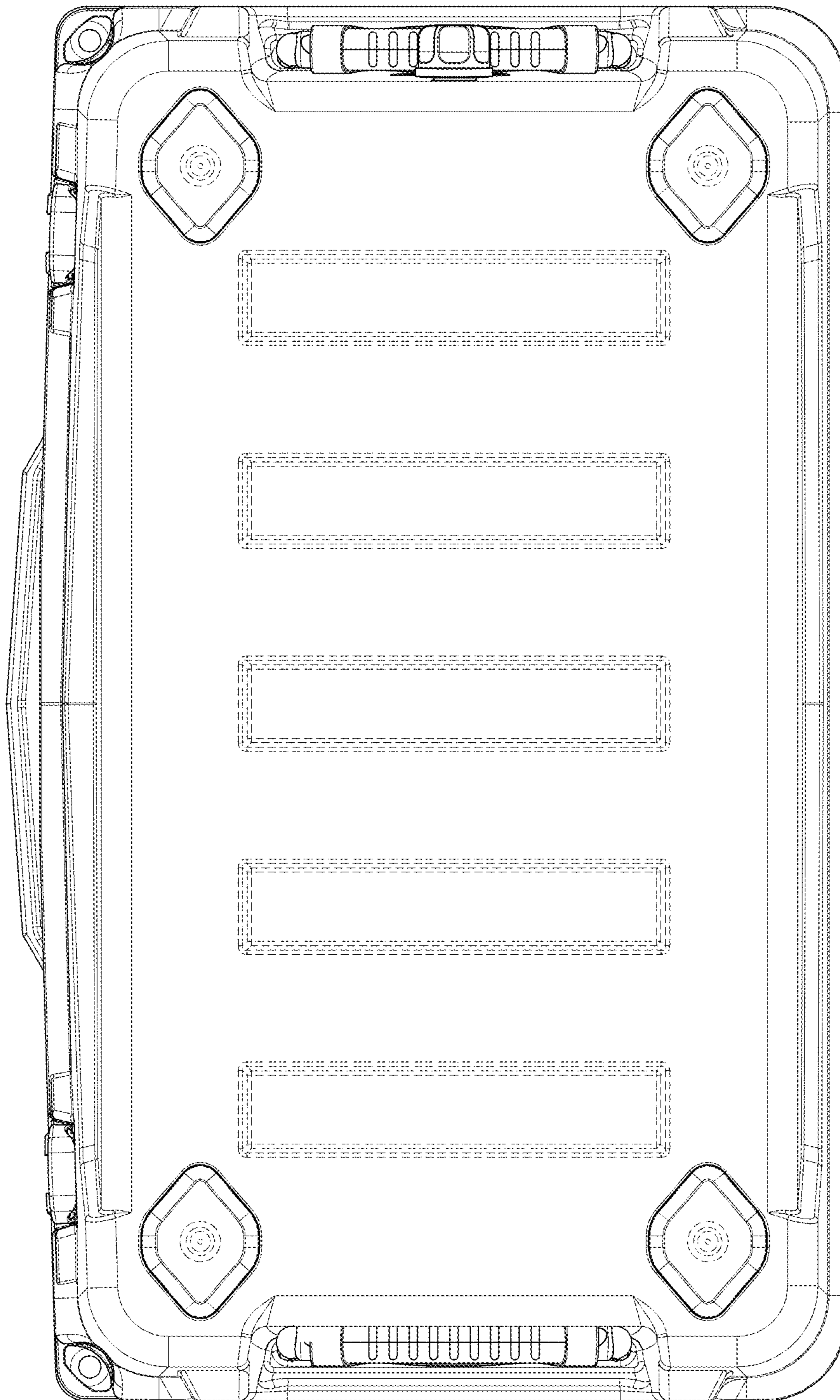


FIG. 5

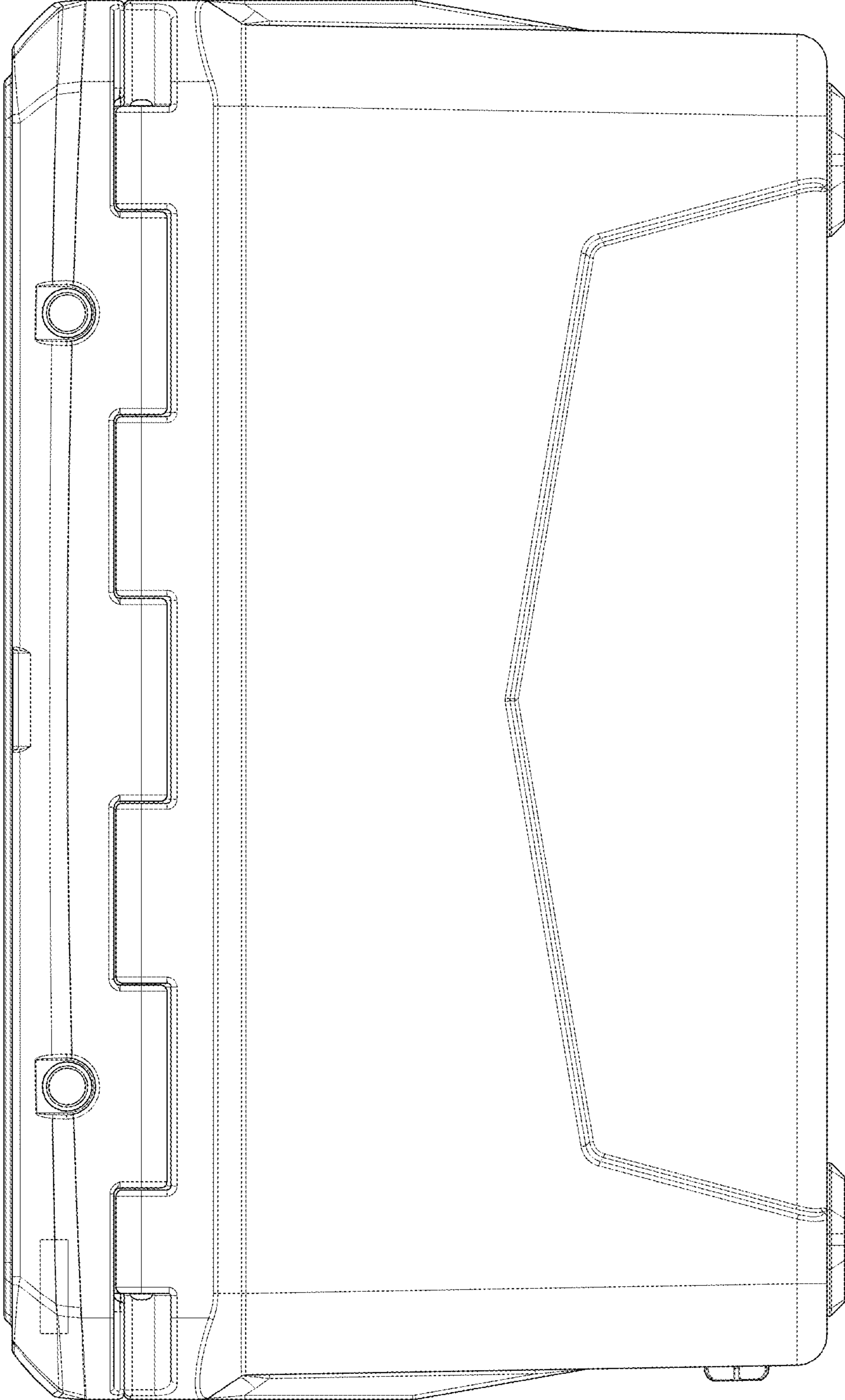


FIG. 6

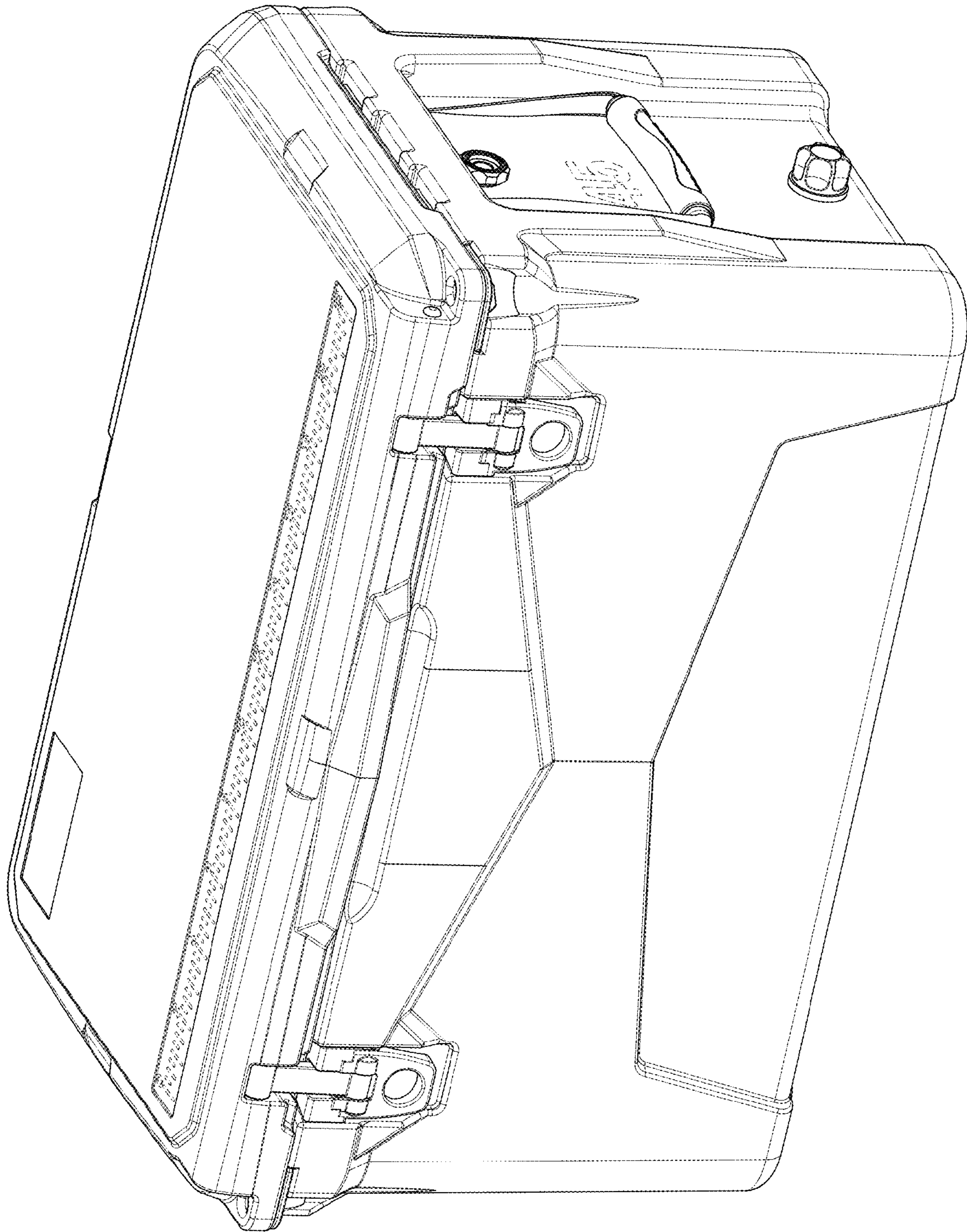


FIG. 7