



US00D942811S

(12) **United States Design Patent** (10) **Patent No.:** **US D942,811 S**
Hamilton (45) **Date of Patent:** **** Feb. 8, 2022**

(54) **COOLER INSERT**

(71) Applicant: **William Todd Hamilton**, Brentwood, TN (US)

(72) Inventor: **William Todd Hamilton**, Brentwood, TN (US)

(**) Term: **15 Years**

(21) Appl. No.: **29/685,866**

(22) Filed: **Apr. 1, 2019**

(51) **LOC (13) Cl.** **07-07**

(52) **U.S. Cl.**
USPC **D7/605**

(58) **Field of Classification Search**
USPC D7/601, 602, 603, 605, 607, 624.2, 703, D7/334; D6/686, 668
CPC B65D 77/24; B65D 85/816
See application file for complete search history.

(56) **References Cited**

U.S. PATENT DOCUMENTS

D174,506 S *	4/1955	Levenhagen	D7/602
3,799,386 A *	3/1974	Madalin	B65D 81/3834 206/564
D239,695 S *	4/1976	Fier	D7/605
D316,513 S *	4/1991	Wolff	D9/424
D384,555 S *	10/1997	Bradley	D7/360
D415,935 S *	11/1999	Martinez	D7/602
6,691,884 B1	2/2004	Dwyer		
D559,042 S *	1/2008	de Groote	D7/602
D574,179 S *	8/2008	DeLuca	D7/354
D581,204 S *	11/2008	Simon	D7/354
D631,300 S *	1/2011	Samartgis	D7/602

D643,251 S *	8/2011	Stamper	D7/602
D649,839 S *	12/2011	Stamper	D7/602
D653,901 S *	2/2012	Sarnoff	D7/354
D708,911 S	7/2014	Rodriguez		
D709,336 S	7/2014	Leibenthal		
D826,620 S *	8/2018	Mirchandani	D7/354
D828,108 S	9/2018	Bowling		
D902,668 S *	11/2020	Zemel	D7/629
D913,044 S *	3/2021	Samartgis	D7/602
2020/0062452 A1 *	2/2020	Taylor	A45C 13/02

OTHER PUBLICATIONS

Amazon website, Yeti Tundra Haul Cooler, Earliest comment date Aug. 10, 2020, [site visited Jan. 1, 2021], Available on the Internet URL <https://www.amazon.com/Goods-Tray-Yeti-Tundra-Cooler/dp/B07QQ2PQ7F> (Year: 2020).*

* cited by examiner

Primary Examiner — S. Bryan Reinholdt, Jr.
(74) *Attorney, Agent, or Firm* — Ross Brandborg

(57) **CLAIM**

I Claim the ornamental design for a cooler insert, as shown and described.

DESCRIPTION

FIG. 1 shows a bottom perspective view of a cooler insert showing my new design; FIG. 2 shows a top and side perspective view thereof; and, FIG. 3 shows a top perspective view thereof. The oblique shading lines in the drawing depict surfaces that are translucent. The broken lines in FIG. 1 depict portions of the cooler insert that form no part of the claimed design.

1 Claim, 3 Drawing Sheets

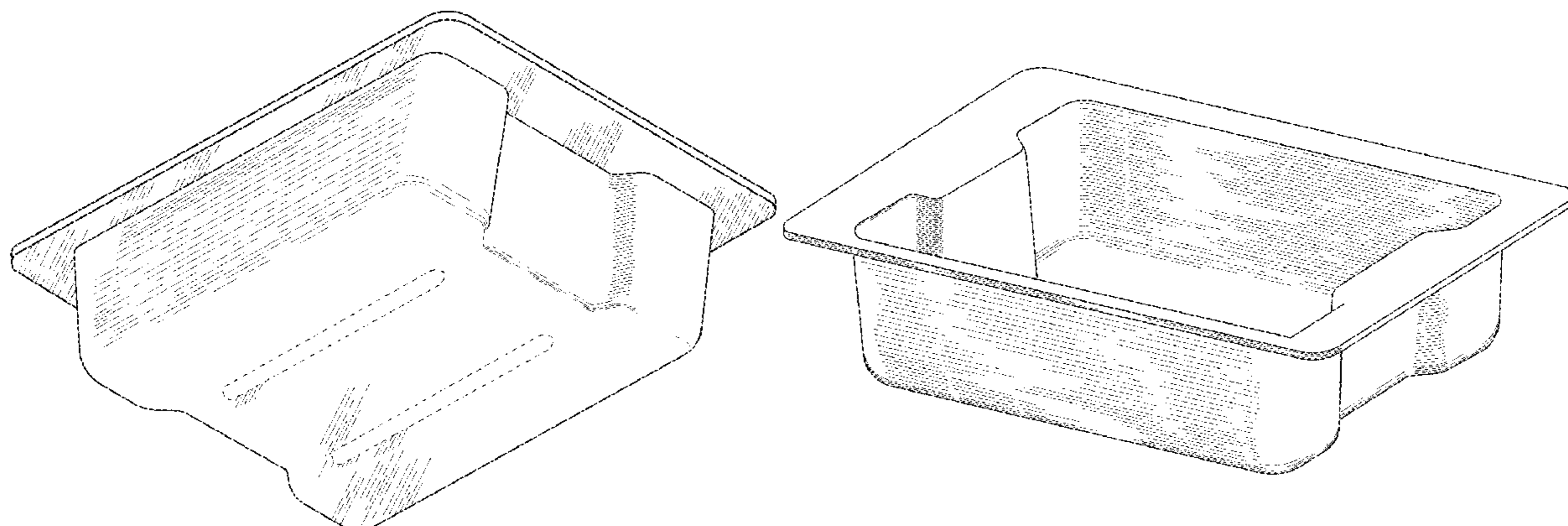


FIG.1

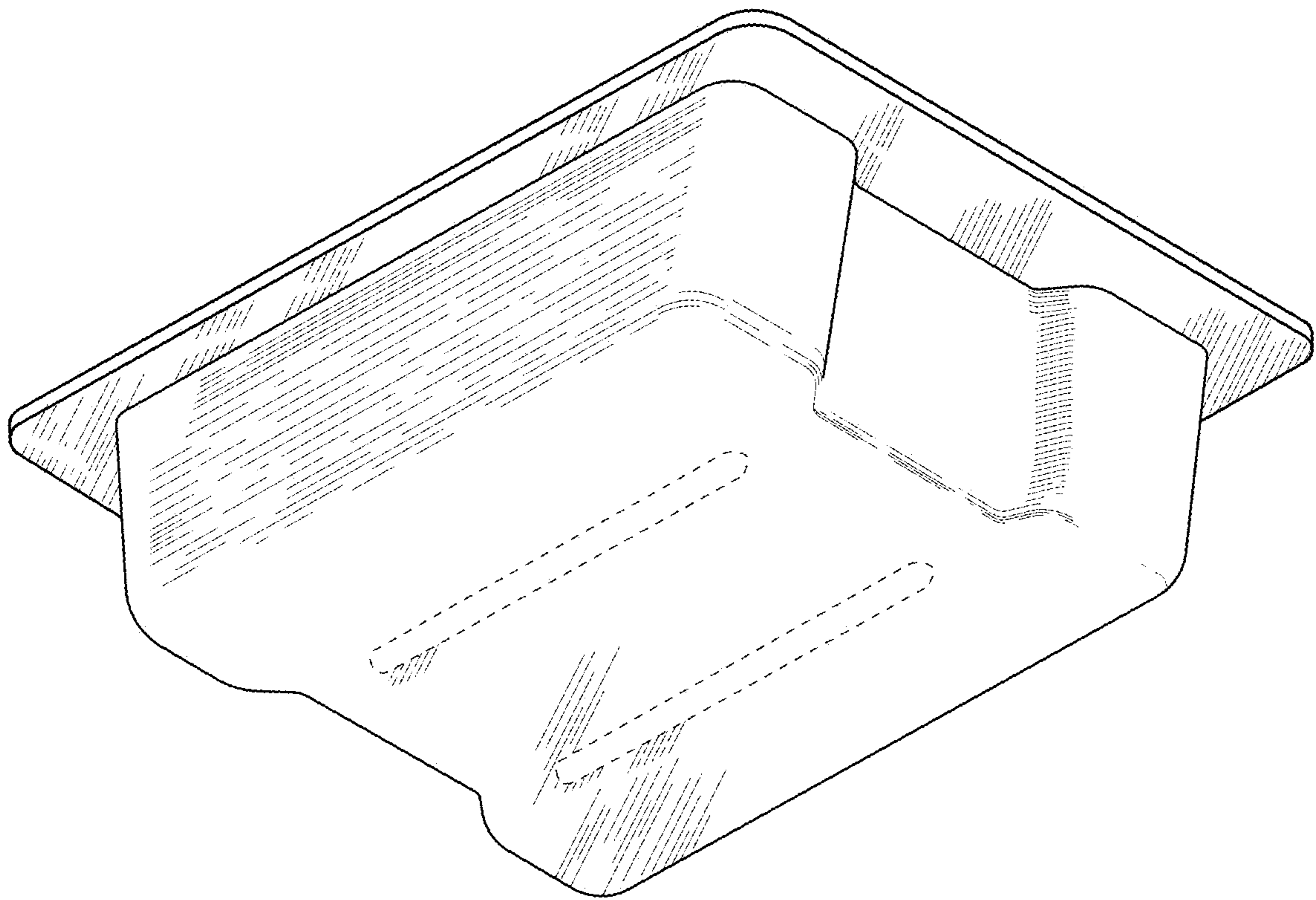


FIG.2

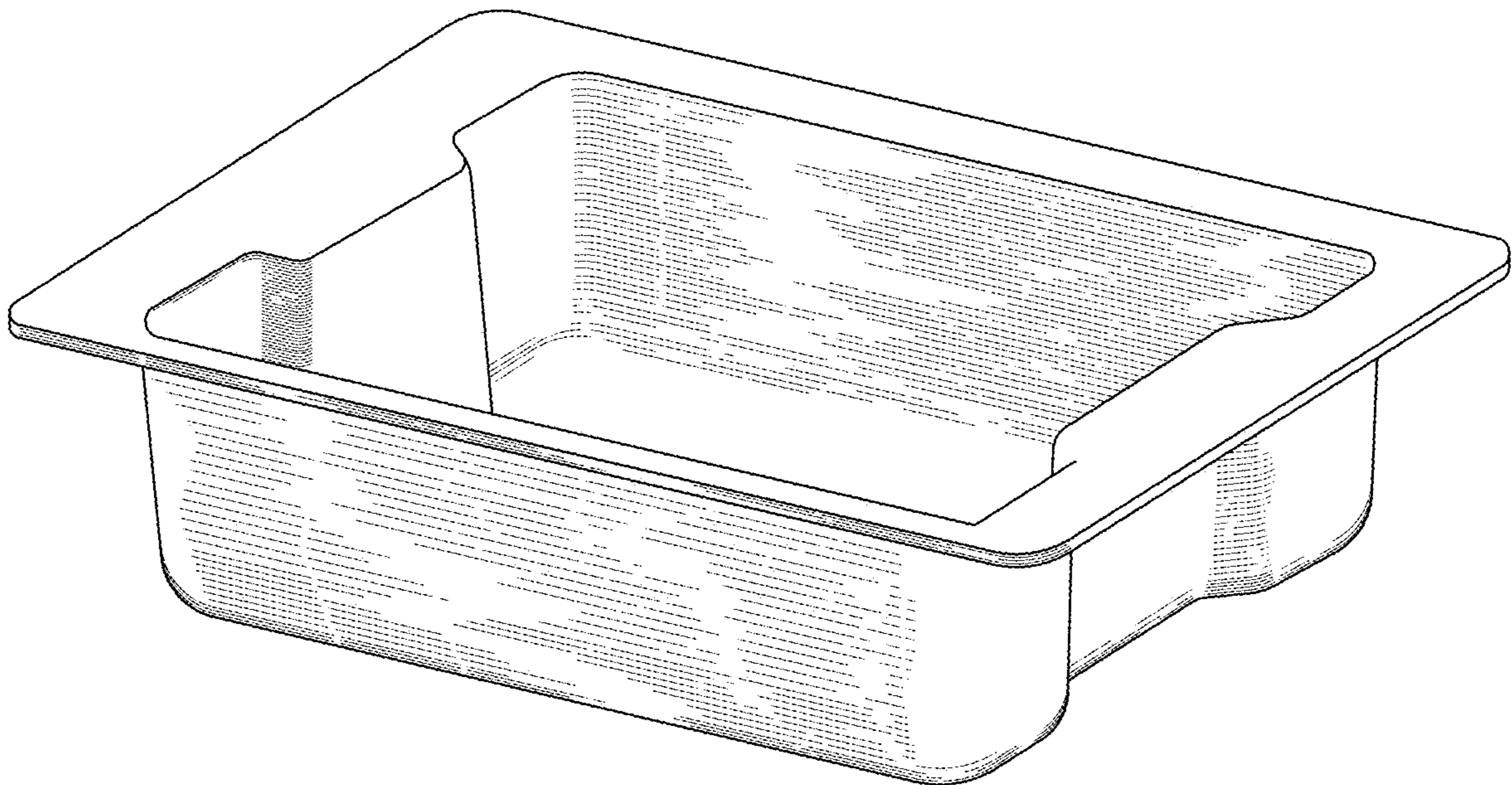


FIG.3

