



US00D942808S

(12) **United States Design Patent** (10) **Patent No.:** **US D942,808 S**
Wang (45) **Date of Patent:** **** Feb. 8, 2022**

(54) **WATER BOTTLE LID**
(71) Applicant: **Ningbo Holy Bull Plastic Industry Co., Ltd., Zhejiang (CN)**
(72) Inventor: **Lei Wang, Zhejiang (CN)**
(**) Term: **15 Years**
(21) Appl. No.: **29/741,168**
(22) Filed: **Jul. 10, 2020**
(51) **LOC (13) Cl.** **09-07**
(52) **U.S. Cl.**
USPC **D7/392.1; D9/443; D7/396.2**
(58) **Field of Classification Search**
USPC D9/439, 440, 442-449, 682, 685, 686, D9/435, 450, 454; D6/515; D7/507, D7/509-511, 523, 391, 392, 392.1, 396.2, D7/605, 608
CPC B65D 83/205; B65D 83/206; B65D 83/40; B65D 2543/00046; A47G 19/2272
See application file for complete search history.

D822,429 S * 7/2018 Washburn D7/396.2
D839,044 S * 1/2019 Potter D7/392
10,172,488 B2 * 1/2019 Sorensen B65D 43/26
D849,481 S * 5/2019 Washburn D7/510
D853,784 S * 7/2019 Wu D7/392.1
D855,388 S * 8/2019 Potter D7/392
D889,910 S * 7/2020 Wang D7/511
D892,557 S * 8/2020 Wang D7/510
D892,558 S * 8/2020 Wang D7/510
D899,188 S * 10/2020 Wang D7/510
D902,648 S * 11/2020 Wang D7/392.1
D903,404 S * 12/2020 Bram D7/392.1

(Continued)

FOREIGN PATENT DOCUMENTS

CN 301444451 * 1/2011
CN 301444452 * 1/2011
CN 304183561 * 6/2017

Primary Examiner — Brett Miller
Assistant Examiner — Rani J Abdallah
(74) *Attorney, Agent, or Firm* — Prakash Nama; Global IP Services, PLLC

(57) **CLAIM**

The ornamental design for a water bottle lid, as shown and described.

(56) **References Cited**

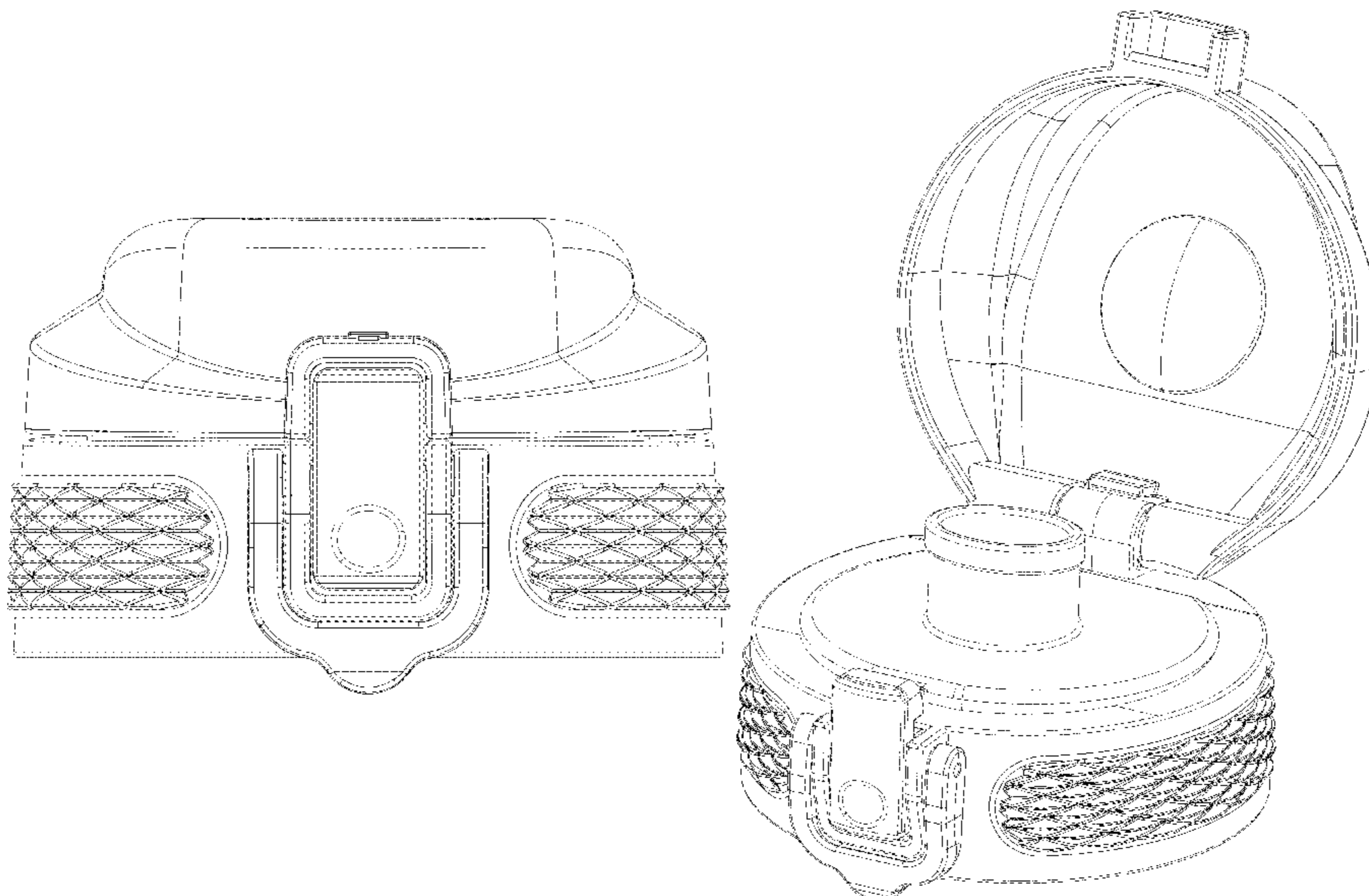
U.S. PATENT DOCUMENTS

D529,339 S * 10/2006 Carreno D7/511
D590,661 S * 4/2009 Kitamura D7/510
RE42,484 E * 6/2011 Kitamura D7/510
D676,708 S * 2/2013 Lane D7/510
D686,871 S * 7/2013 Lane D7/392.1
D690,557 S * 10/2013 Carreno D7/510
8,602,238 B2 * 12/2013 El-Saden B65D 51/242
215/389
D702,505 S * 4/2014 Nakatani D7/605
D710,653 S * 8/2014 Goto D7/608
D778,117 S * 2/2017 Du D7/608
D780,517 S * 3/2017 Boroski D7/511
D787,268 S * 5/2017 Matsuo D7/510
D794,453 S * 8/2017 Boroski D7/396.2
D795,011 S * 8/2017 Pisarevsky D7/510
D814,236 S * 4/2018 Rolfson D7/392.1

DESCRIPTION

FIG. 1 is a front elevational view of a water bottle lid showing my new design;
FIG. 2 is a rear elevational view thereof;
FIG. 3 is a left side view thereof;
FIG. 4 is a right side view thereof;
FIG. 5 is a top plan view thereof;
FIG. 6 is a bottom plan view thereof;
FIG. 7 is a perspective view thereof; and,
FIG. 8 is a perspective view with the cover opened.
The broken lines shown in water bottle lid form no part of the claimed design.

1 Claim, 8 Drawing Sheets



(56)

References Cited

U.S. PATENT DOCUMENTS

D903,418 S * 12/2020 Hu D7/510
D905,498 S * 12/2020 Zhang D7/392.1
D909,810 S * 2/2021 Lin D7/396.2
D909,815 S * 2/2021 Gui D7/510
D918,652 S * 5/2021 Pearce D7/396.2
D922,136 S * 6/2021 Lin D7/392.1
D925,279 S * 7/2021 Wang D7/396.2
D926,521 S * 8/2021 Gronkowski D7/510
2013/0319966 A1* 12/2013 Lane A45F 3/18
215/237
2014/0175098 A1* 6/2014 Lane A45F 3/16
220/212.5
2015/0282654 A1* 10/2015 Kurabe B65D 43/163
220/254.5
2016/0207672 A1* 7/2016 Wong B65D 43/0225
2017/0313478 A1* 11/2017 El-Saden A45F 3/16

* cited by examiner

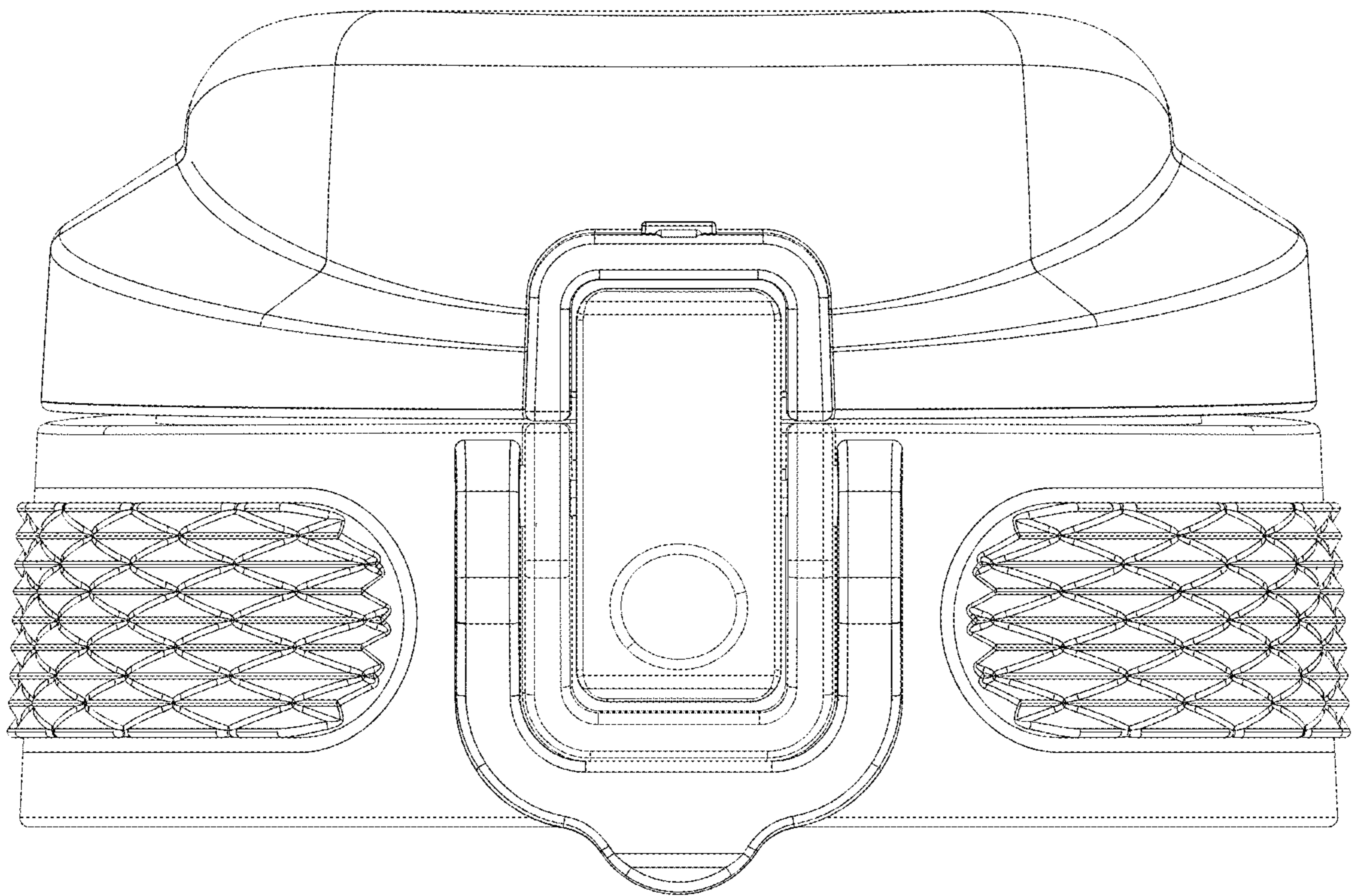


FIG. 1

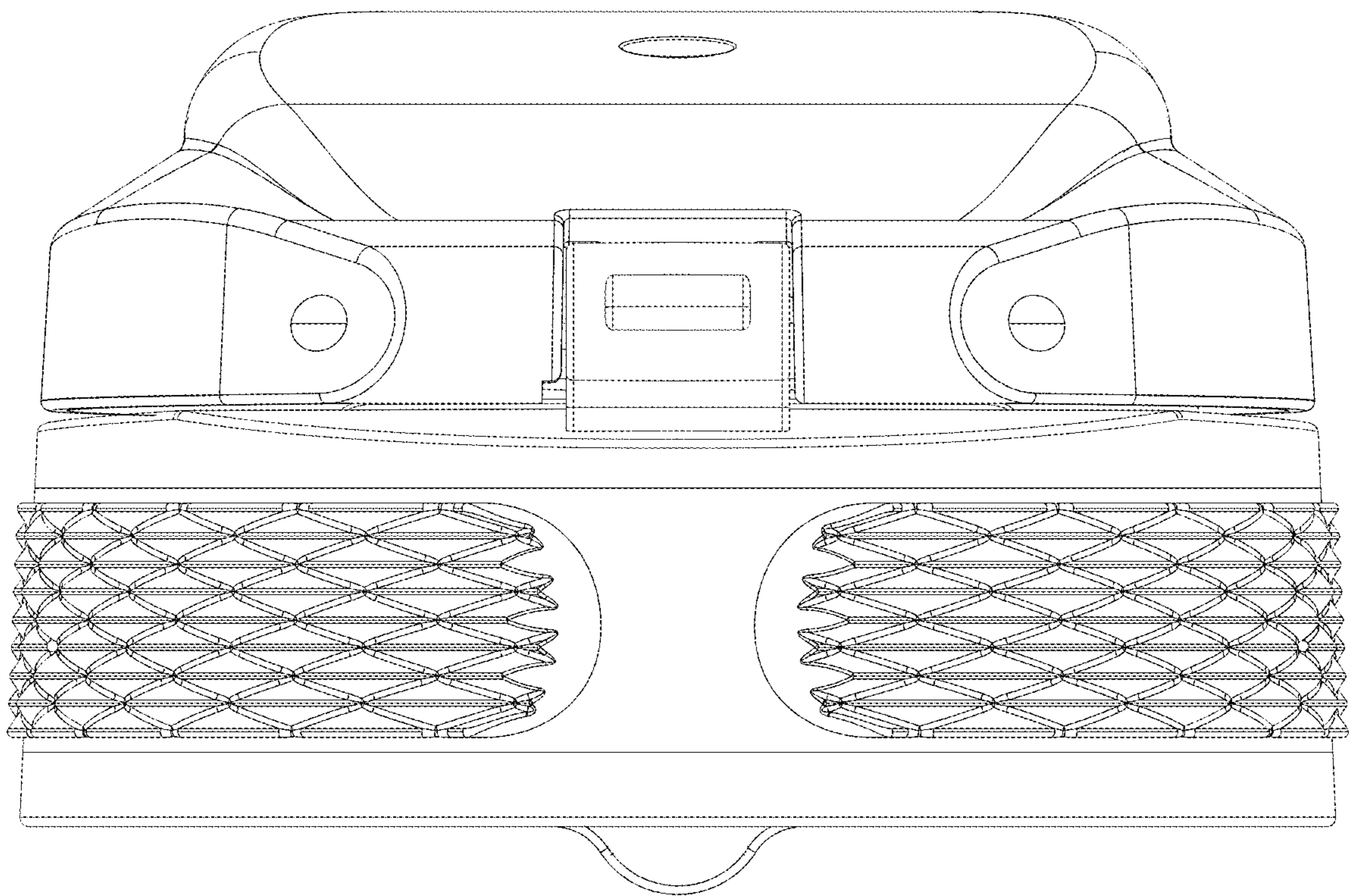


FIG. 2

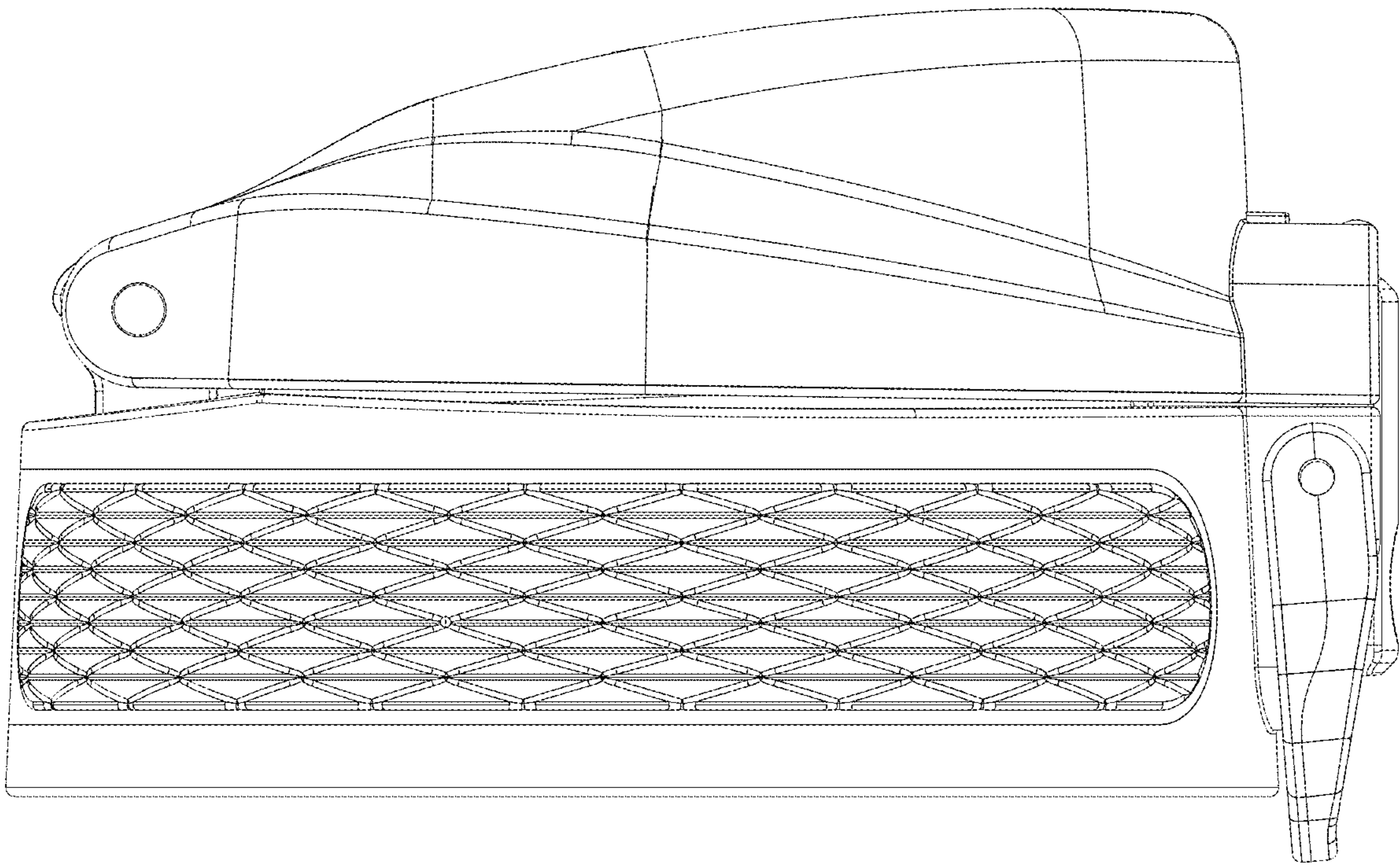


FIG. 3

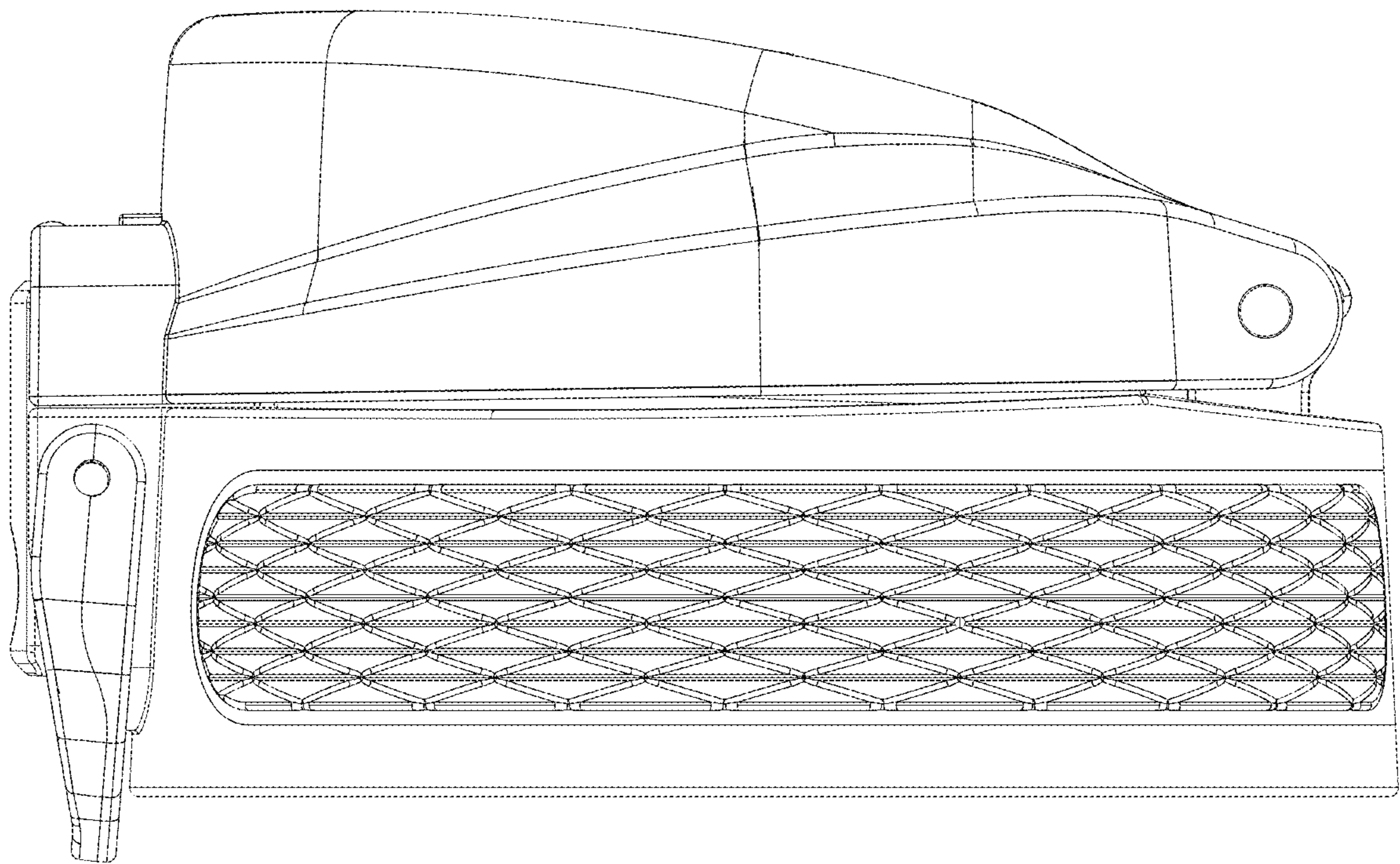


FIG. 4

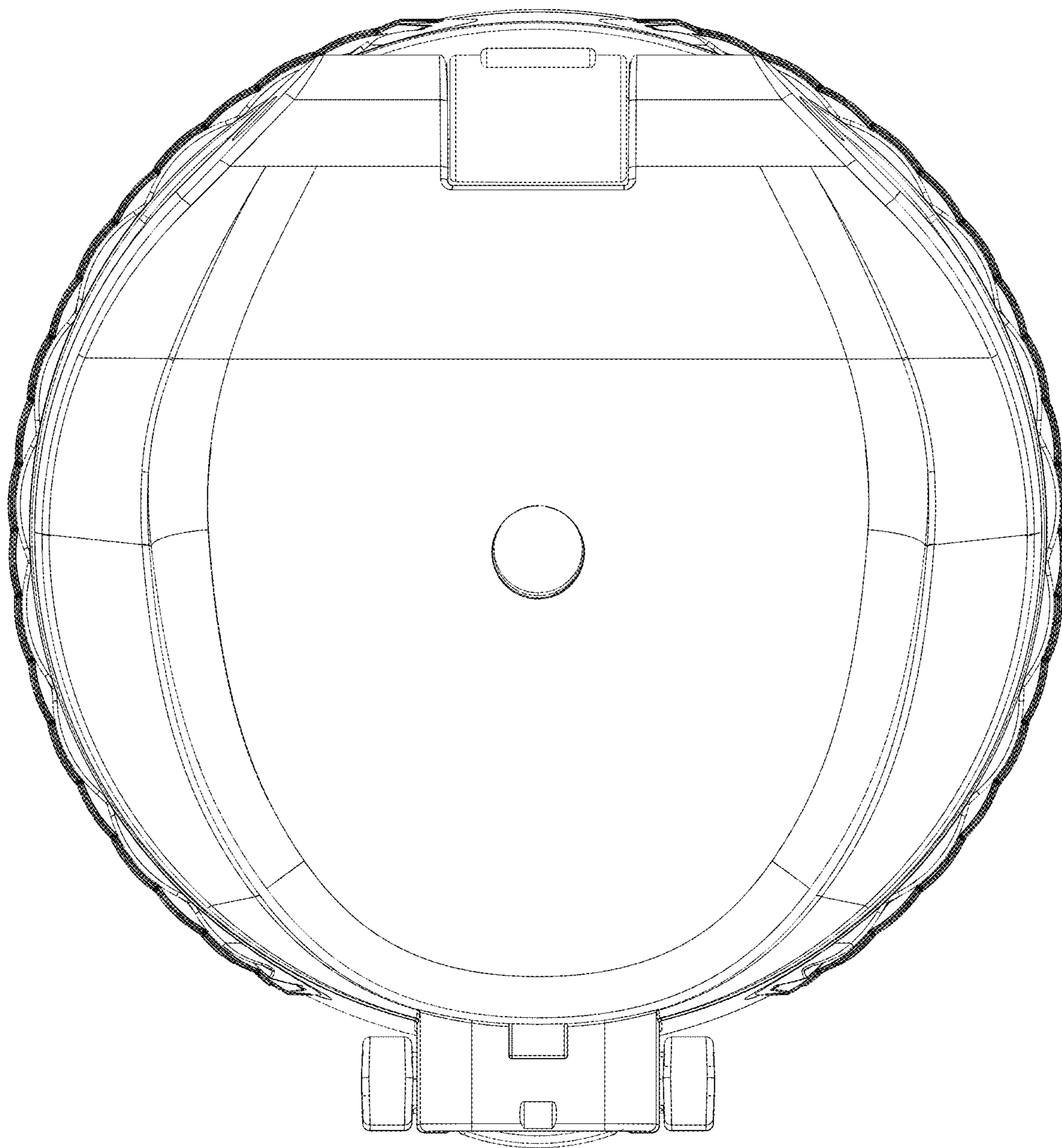


FIG. 5

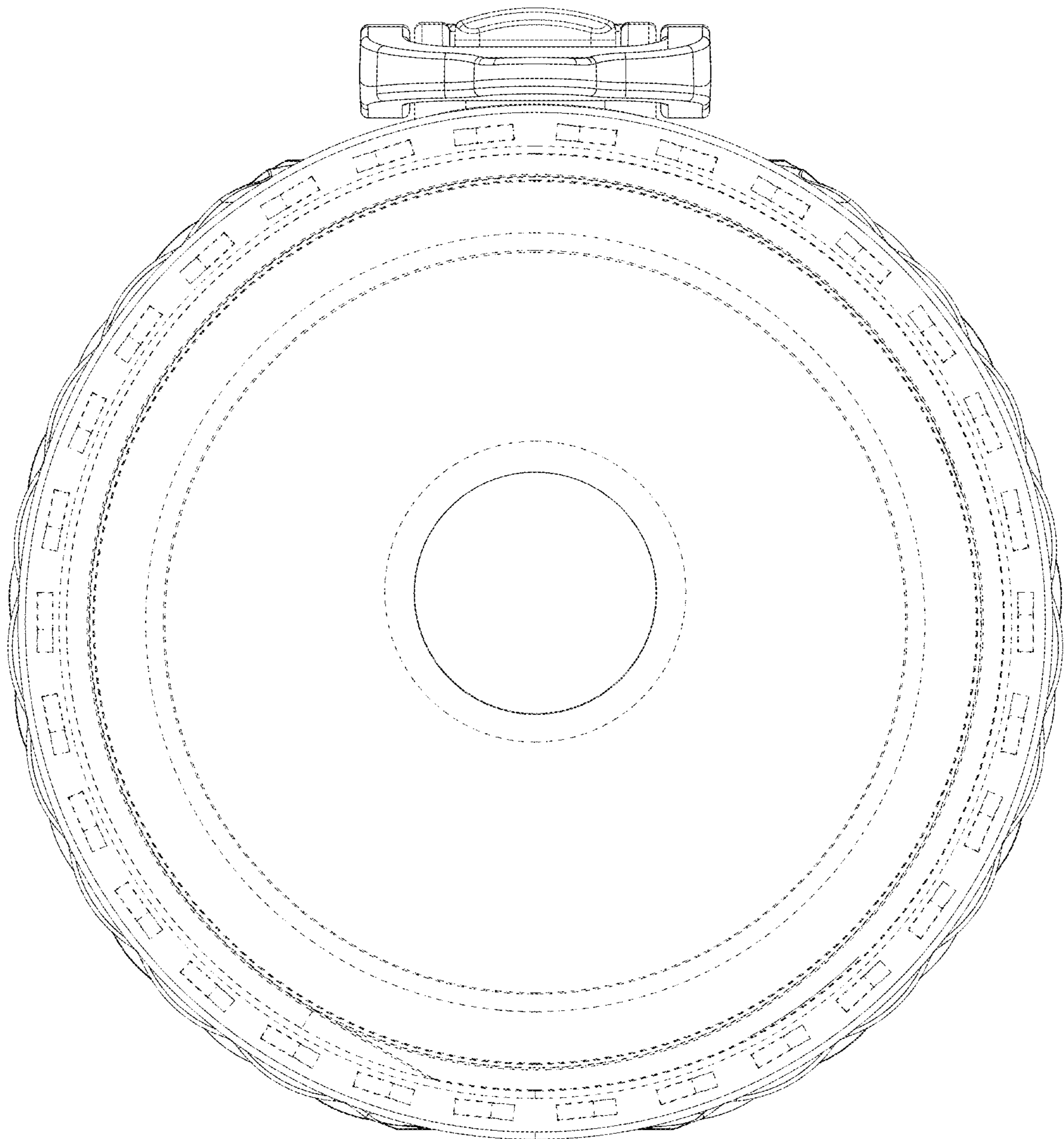


FIG. 6

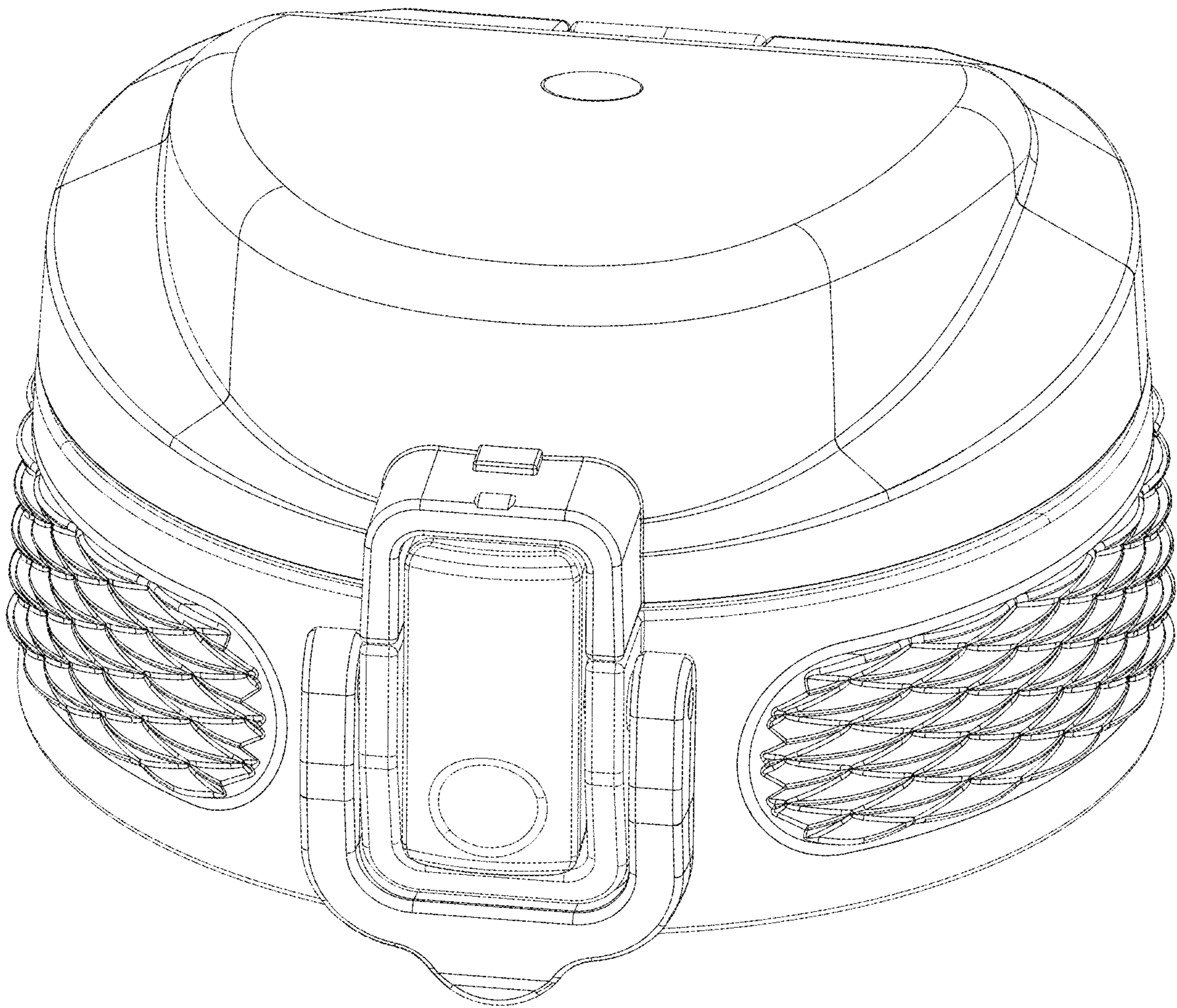


FIG. 7

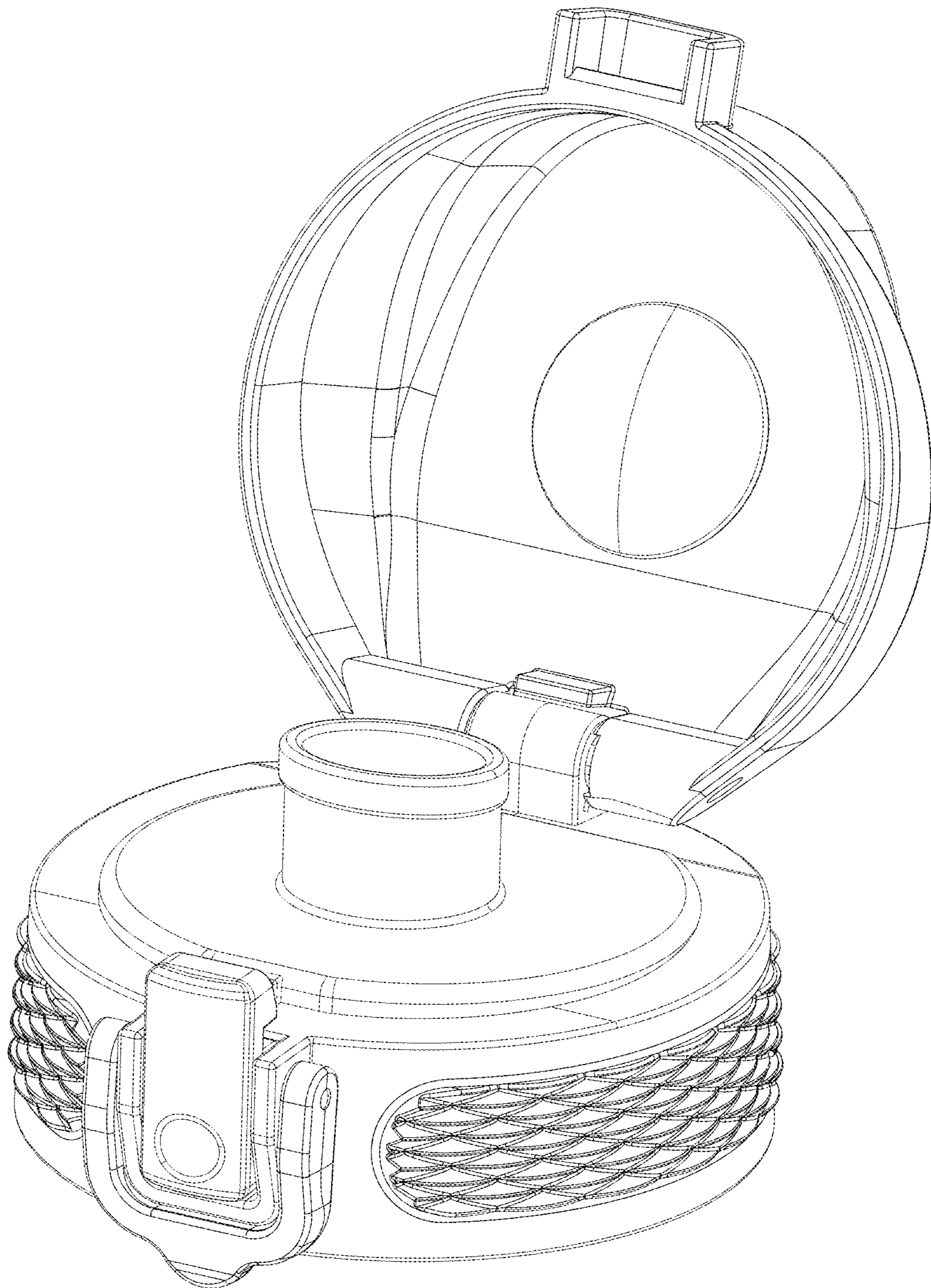


FIG. 8