



US00D942807S

(12) **United States Design Patent** (10) **Patent No.:** **US D942,807 S**
Dippel et al. (45) **Date of Patent:** **** Feb. 8, 2022**

- (54) **BOTTLE LID**
- (71) Applicants: **Karen A. Dippel**, San Jose, CA (US);
Donna Stewart, Mountain View, CA (US)
- (72) Inventors: **Karen A. Dippel**, San Jose, CA (US);
Donna Stewart, Mountain View, CA (US)
- (73) Assignee: **GEARPROZ, INC.**, San Jose, CA (US)
- (**) Term: **15 Years**
- (21) Appl. No.: **29/734,457**
- (22) Filed: **May 12, 2020**
- (51) **LOC (13) Cl.** **07-01**
- (52) **U.S. Cl.**
USPC **D7/392.1**
- (58) **Field of Classification Search**
USPC D7/392, 392.1, 396.1, 396.2, 397, 509,
D7/510, 533, 619.1, 622; D9/435, 443,
D9/516
CPC B65D 47/066; B65D 47/2037; A47G
19/2272
See application file for complete search history.

- 2010/0170902 A1* 7/2010 Britto B65D 47/066
220/367.1
2014/0138395 A1* 5/2014 Joy A47G 19/2272
220/715
2015/0307265 A1* 10/2015 Winn C02F 1/002
426/66

OTHER PUBLICATIONS

“Gearproz Straw Lid, Paracord Handle”. Found online Apr. 16, 2021 at amazon.com. Reference dated May 25, 2020. Retrieved from <https://www.amazon.com/Gearproz-Paracord-Standard-Shoulder-Cleaning/dp/B08CDFP976?>.*

(Continued)

Primary Examiner — Kendra Leslie Hamilton
(74) *Attorney, Agent, or Firm* — Foundation Law Group
LLP; Sevag Demirjian; JD Harriman

(57) **CLAIM**

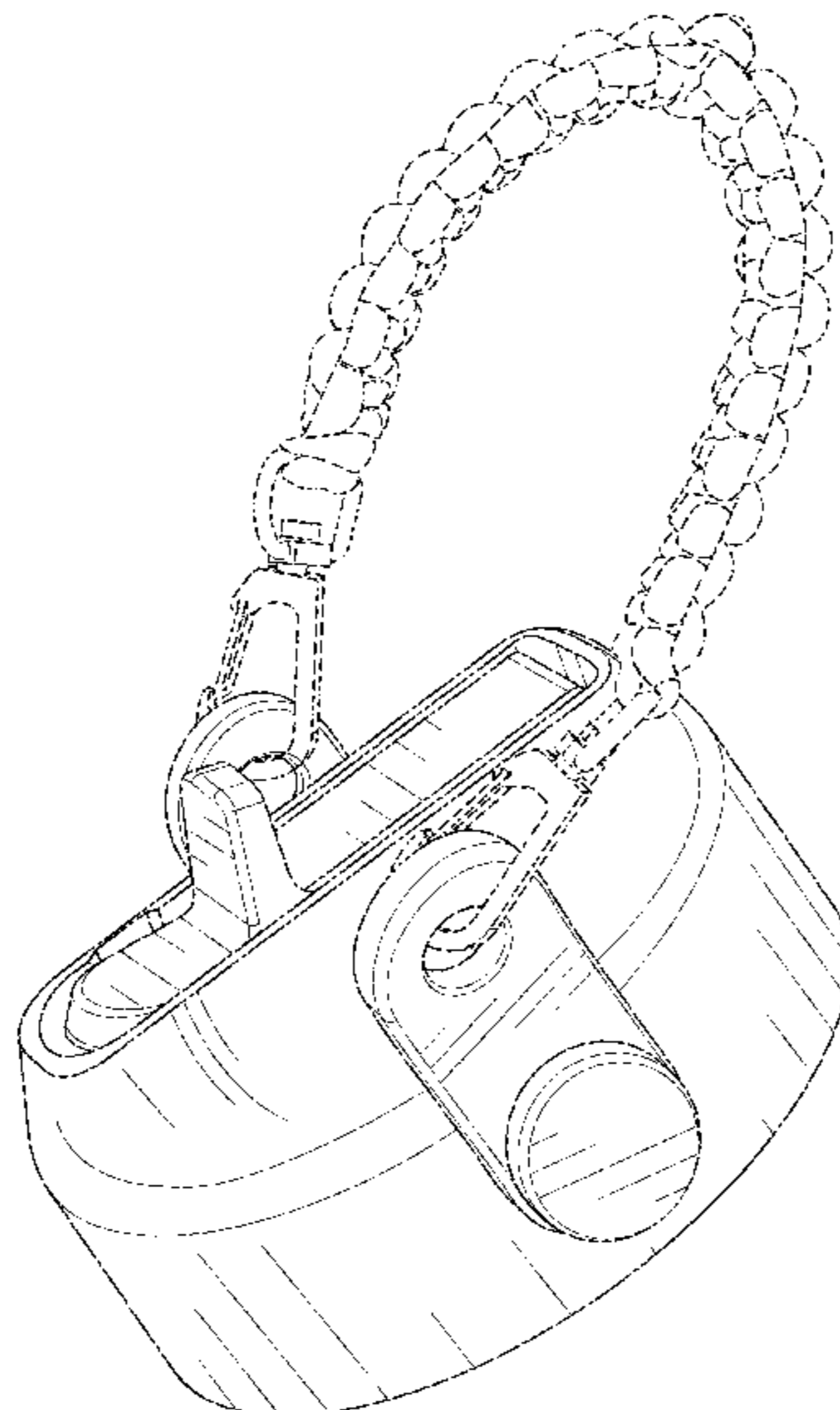
We claim the ornamental design for a bottle lid, as shown and described.

DESCRIPTION

FIG. 1 is a top, front, left side perspective view of a bottle lid, showing our new design;
FIG. 2 is a front elevation view thereof;
FIG. 3 is a rear elevation view thereof;
FIG. 4 is a left side elevation view thereof;
FIG. 5 is a right side elevation view thereof;
FIG. 6 is a top plan view thereof;
FIG. 7 is a bottom plan view thereof;
FIG. 8 is a top, front perspective view of the bottle lid of FIG. 1, shown in a condition for use; and,
FIG. 9 is a side view of the bottle lid of FIG. 1, shown in a second configuration.
The broken lines in FIGS. 7 and 8 are for illustrative purposes only, the broken lines form no part of the claimed design.

- (56) **References Cited**
- U.S. PATENT DOCUMENTS
- 5,203,468 A * 4/1993 Hsu A47G 19/2272
220/254.3
D387,621 S * 12/1997 Sullivan D7/510
D747,136 S * 1/2016 Lane D7/396.2
D807,692 S * 1/2018 Yao D7/392.1
D815,889 S * 4/2018 Xu D7/392.1
D855,388 S * 8/2019 Potter D7/392
D893,245 S * 8/2020 Zhang D7/392.1
D894,672 S * 9/2020 Huang D7/392.1
D897,146 S * 9/2020 Lane D7/392
2003/0168455 A1* 9/2003 Zettle B65D 47/0895
220/254.3

1 Claim, 9 Drawing Sheets



(56)

References Cited

OTHER PUBLICATIONS

“Waterfit: Paracord Handle with Safety Ring and Carabiner for Wide Mouth Water Bottles”. Found online Jun. 17, 2017 at amazon.com. Reference dated Aug. 26, 2016. Retrieved from https://www.amazon.com/WaterFit-Paracord-Carabiner-12-Ounce-64-Ounce/dp/B011NB4P7Q/ref=cm_cr_arp_d_product_top?ie=UTF8.*

“Takeya: Actives Straw Lid”. Found online Jan. 3, 2020 at amazon.com. Reference dated Apr. 5, 2018. Retrieved from <https://www.amazon.com/...1lxVzVLVEIyTTVMNSZ3aWRnZXROYW1IPXNwX2RldGFpbF90aGVtYXRpYyZhY3Rpb249Y2xpY2tSZWRpcmVjdCZkb05vdExvZ0NsaWNrPXRydWU=>.*

“SendeStar Straw Lid”. Found online Apr. 16, 2021 at amazon.com. Reference dated Nov. 28, 2019. Retrieved from <https://www.amazon.com/Sendestar-Straw-Sports-Bottle-Straws/dp/B0823B9XJ3>.*

* cited by examiner

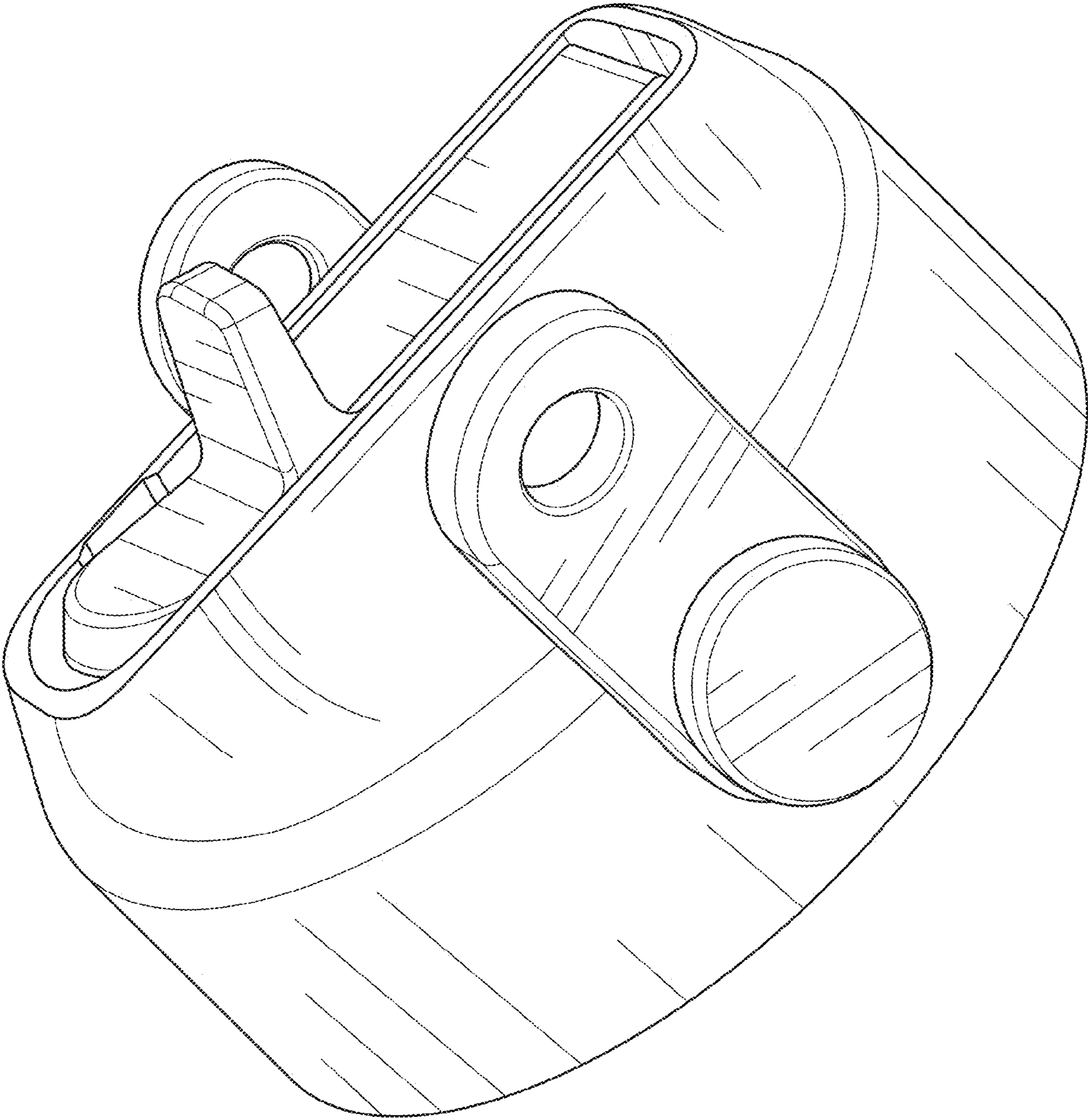


FIG. 1

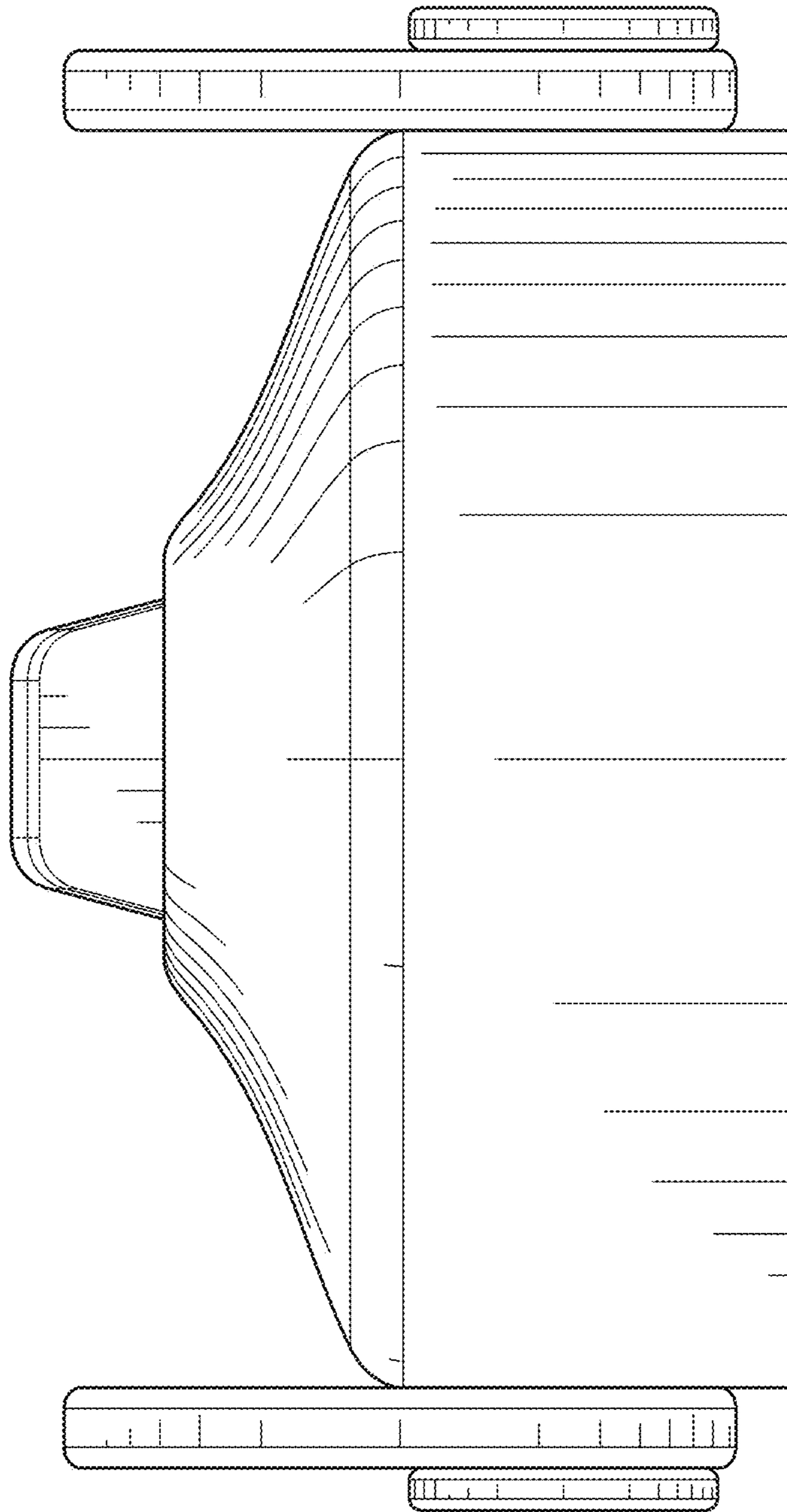


FIG. 2

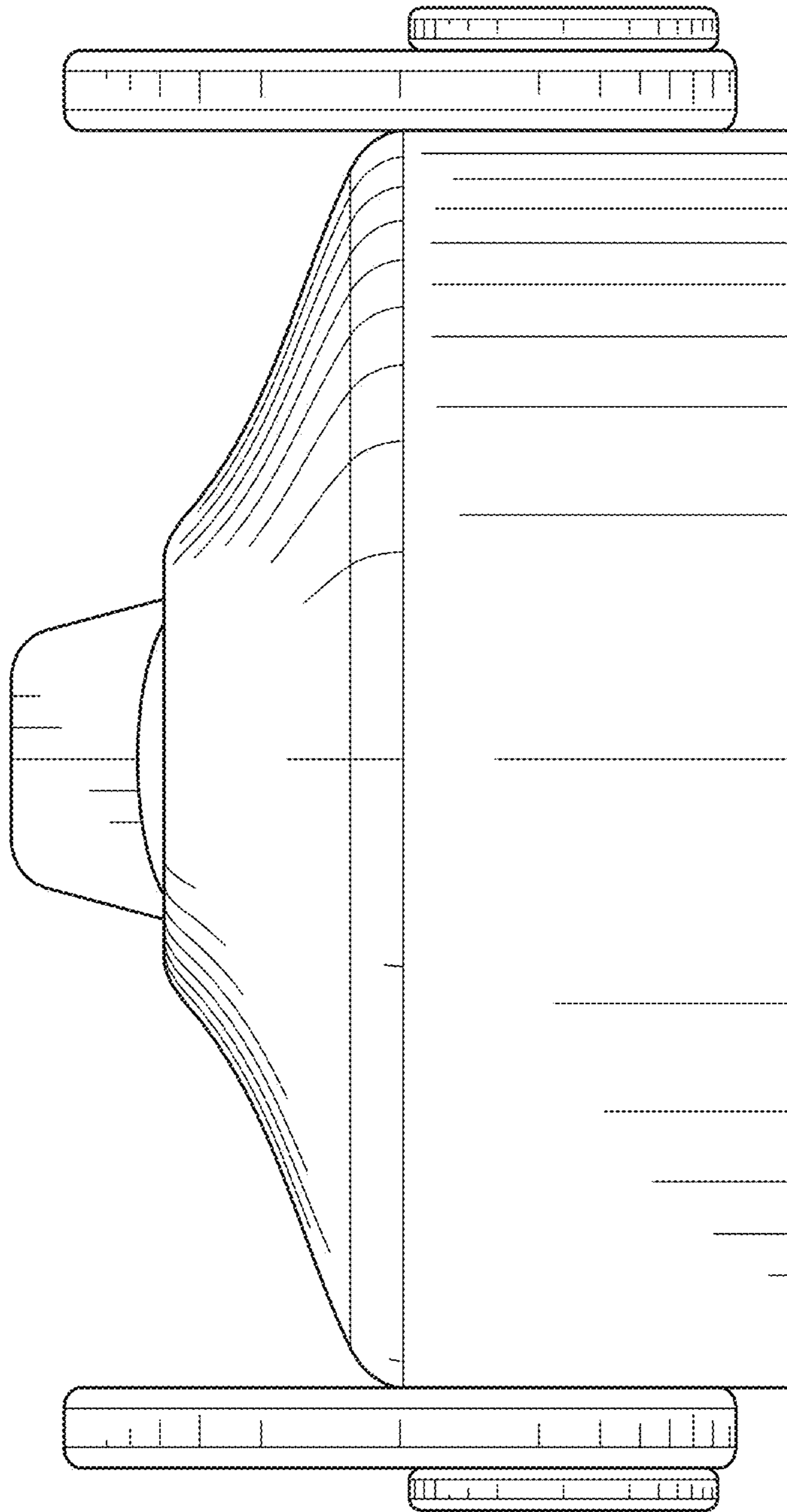


FIG. 3

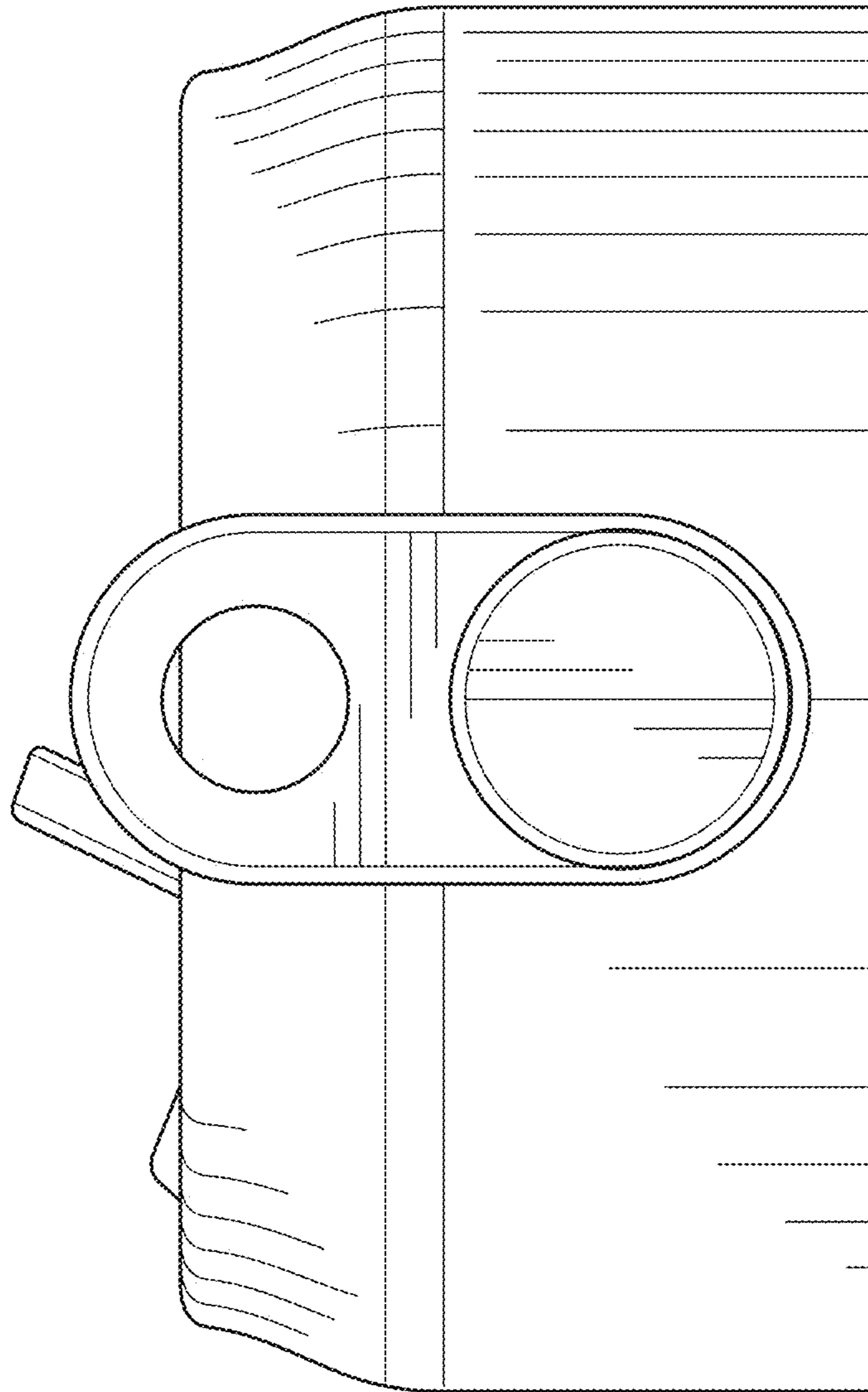


FIG. 4

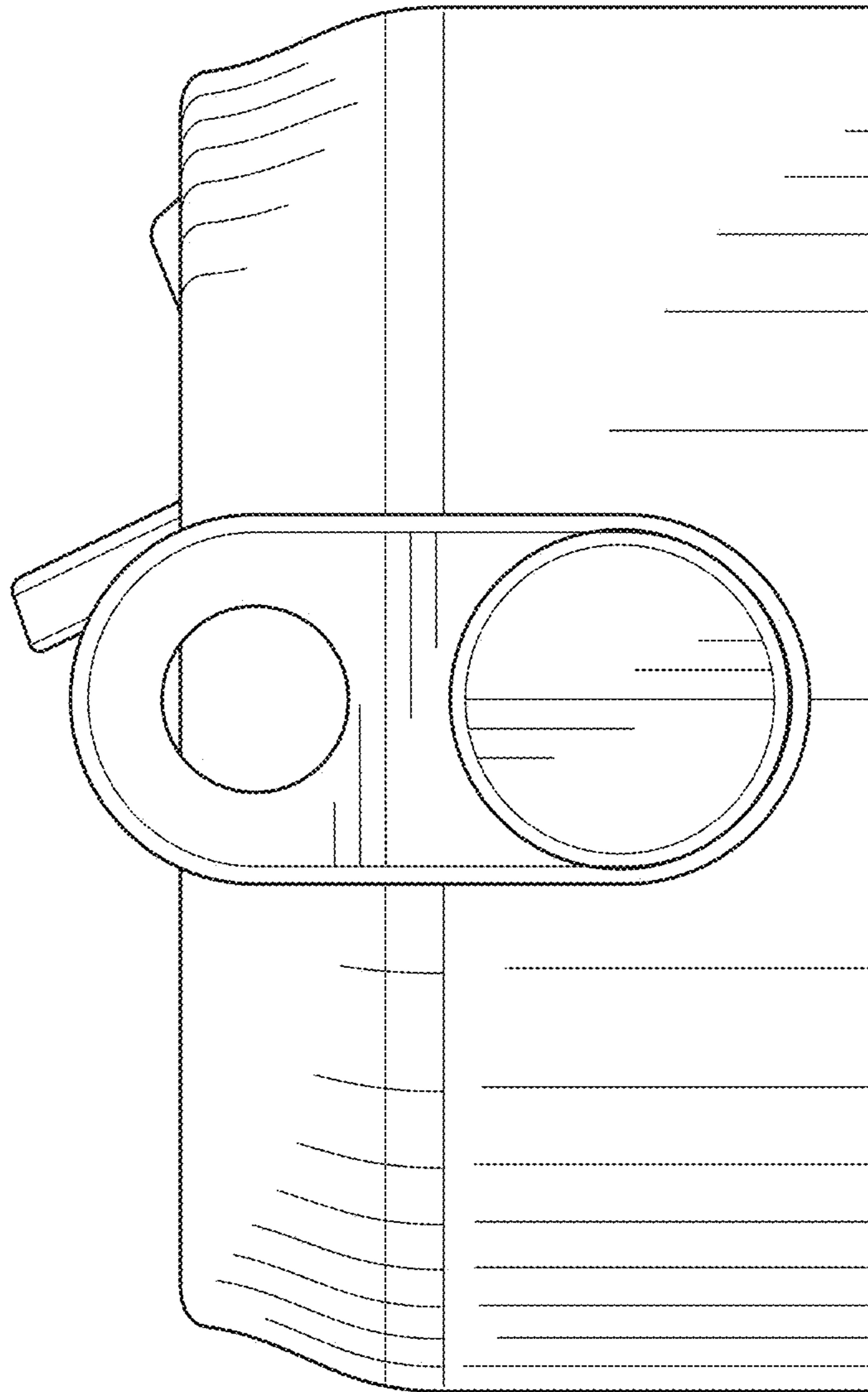


FIG. 5

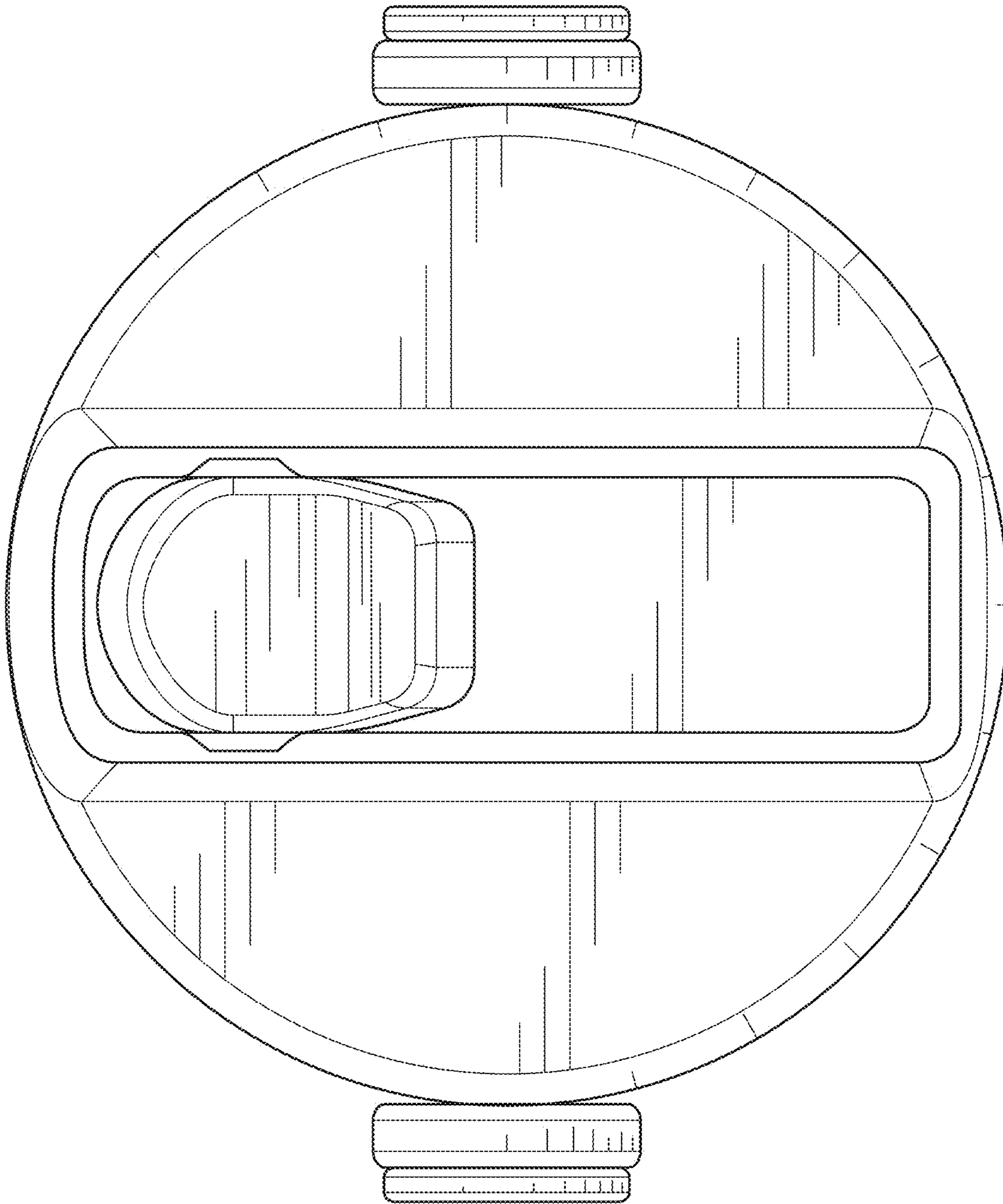


FIG. 6

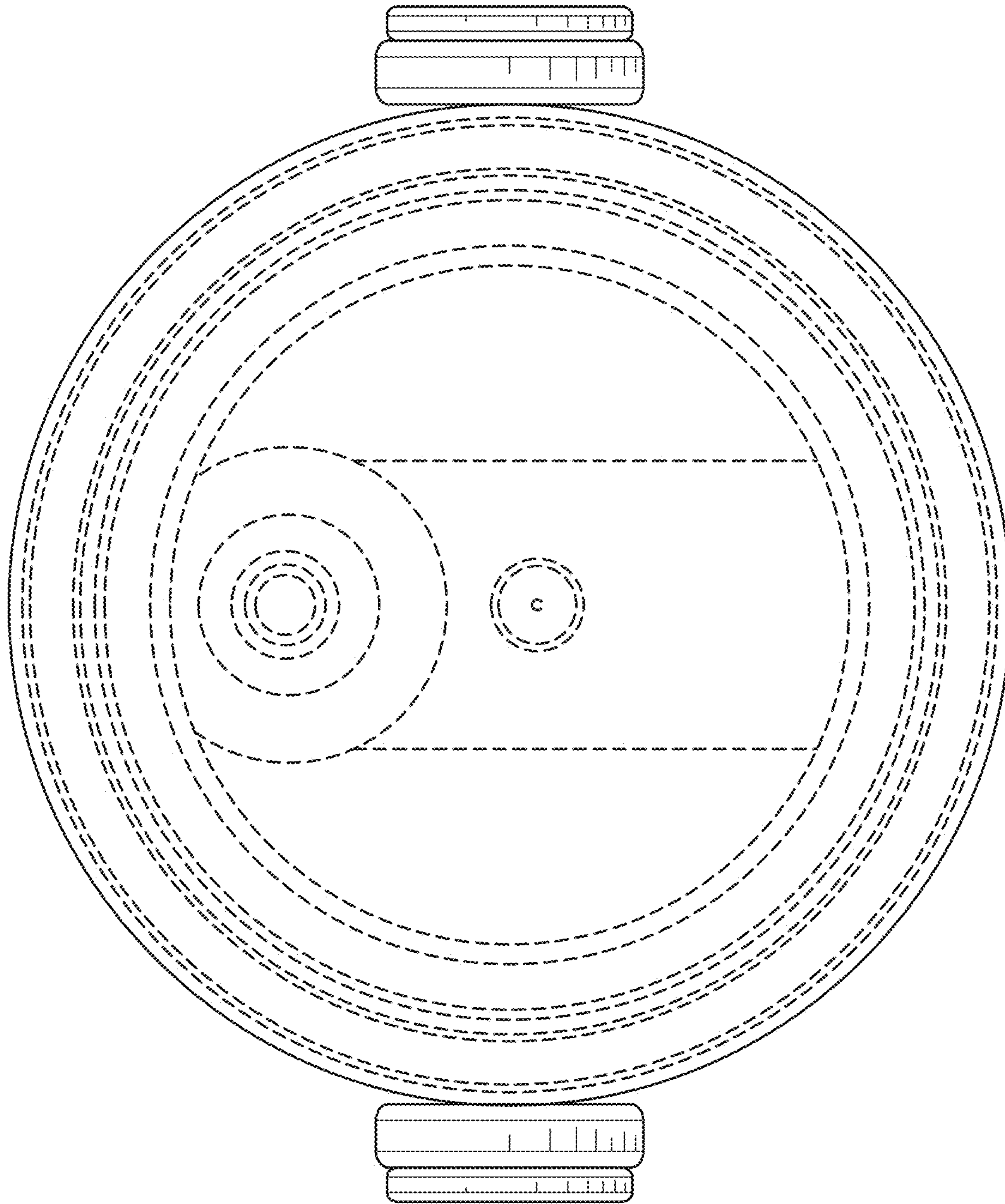


FIG. 7

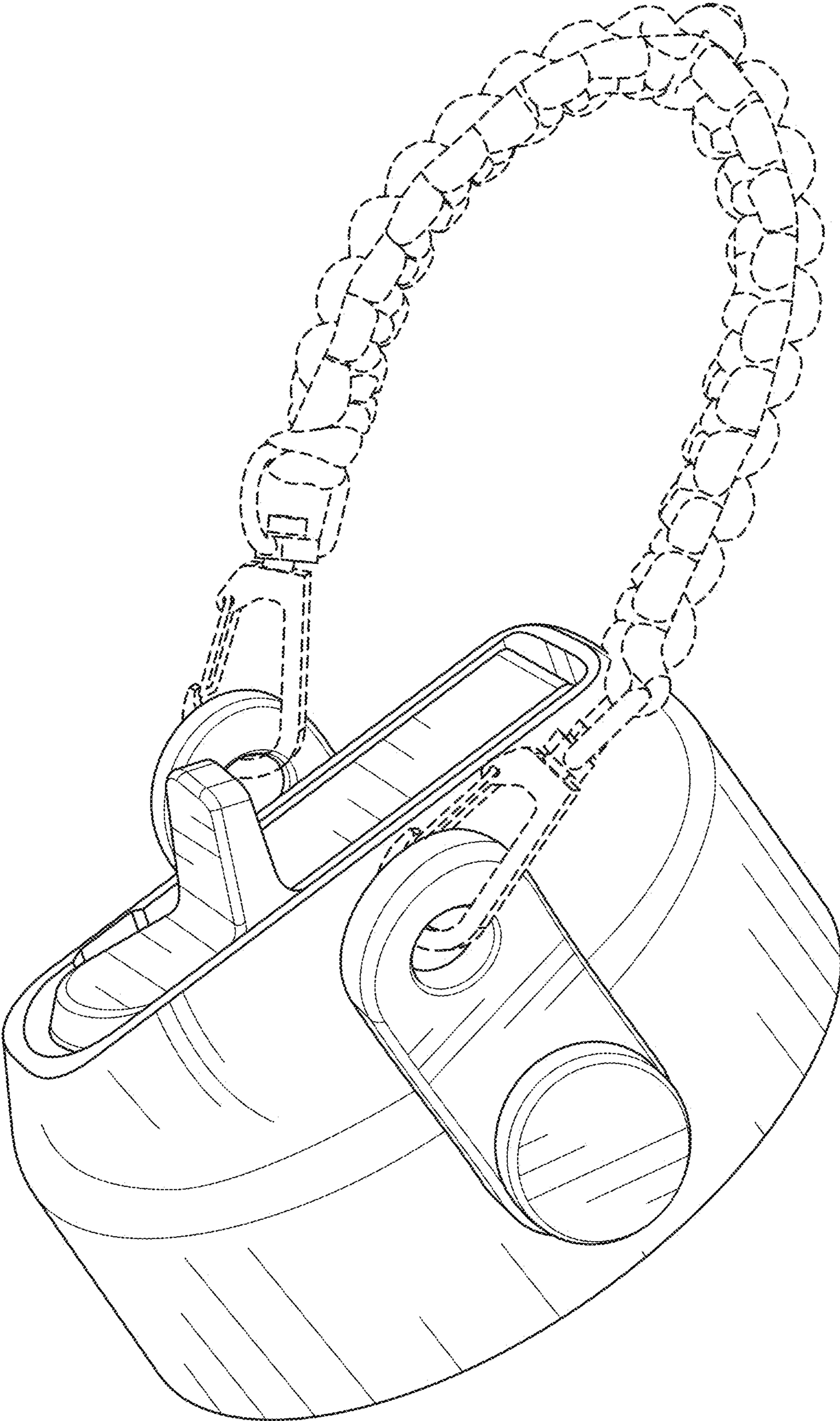


FIG. 8

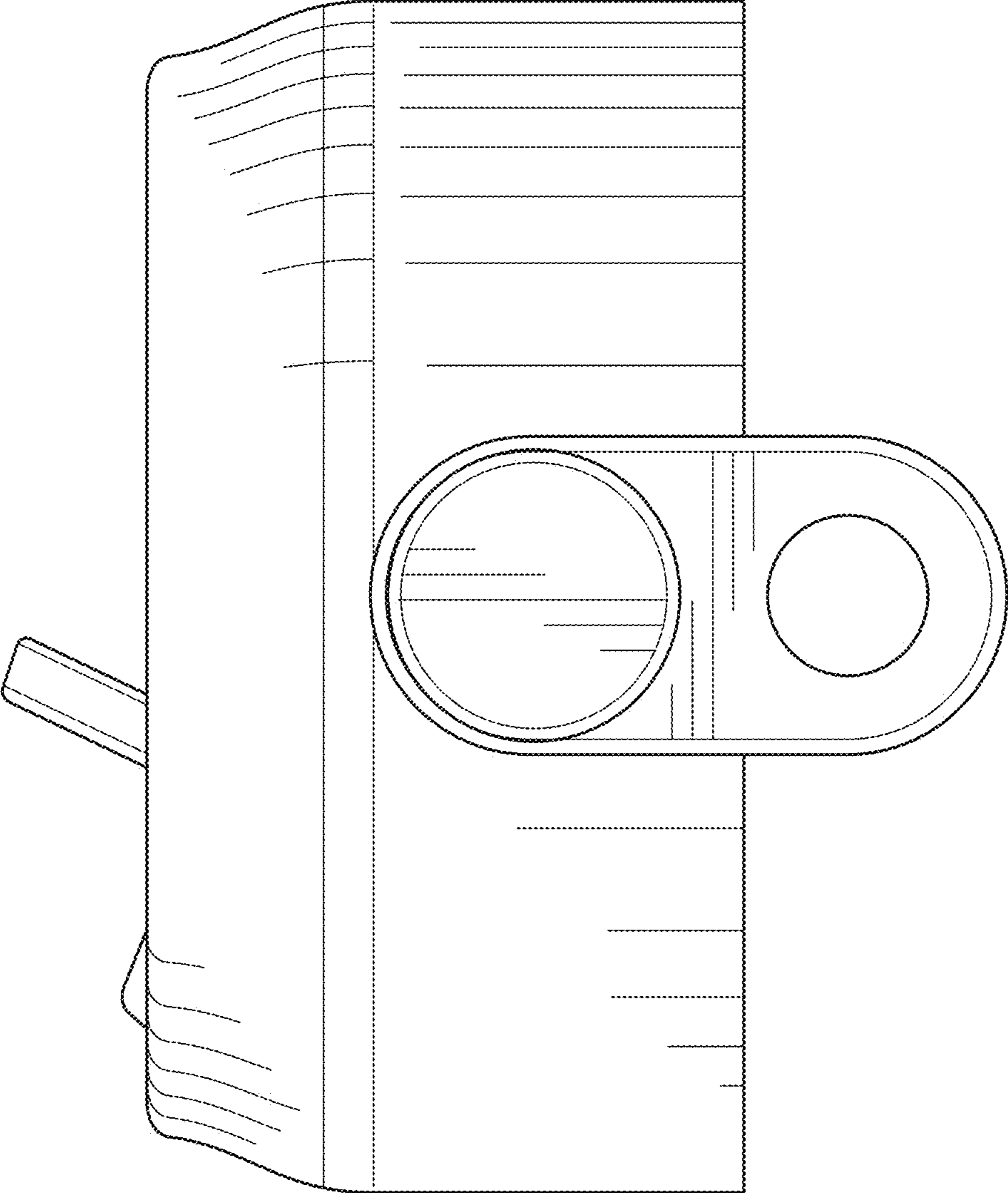


FIG. 9