



US00D942806S

(12) **United States Design Patent** (10) **Patent No.:** **US D942,806 S**
Dean et al. (45) **Date of Patent:** **** Feb. 8, 2022**

(54) **LID**
(71) Applicant: **The Coleman Company, Inc.**, Wichita, KS (US)
(72) Inventors: **Matthew Brian Dean**, Parchment, MI (US); **Sean Thomas Eurich**, Portage, MI (US)
(73) Assignee: **The Coleman Company, Inc.**, Wichita, KS (US)

D527,576 S * 9/2006 Gluck D7/392.1
D533,452 S * 12/2006 Vogel D9/449
D612,197 S * 3/2010 Chan D7/392.1
D631,284 S * 1/2011 Fuller D7/392.1
D677,119 S * 3/2013 Ying D7/392.1
D805,837 S * 12/2017 Hager D7/392.1
D836,387 S * 12/2018 Silsby D7/392.1
D915,820 S * 4/2021 Ni D7/392.1
2006/0231559 A1* 10/2006 Allen B65D 47/06
220/501

(**) Term: **15 Years**

CN 306159170 * 11/2020

* cited by examiner

(21) Appl. No.: **29/708,578**

(22) Filed: **Oct. 8, 2019**

Primary Examiner — S. Bryan Reinholdt, Jr.

(74) *Attorney, Agent, or Firm* — Husch Blackwell LLP

(51) **LOC (13) Cl.** **07-99**

(52) **U.S. Cl.**
USPC **D7/392.1**

(57) **CLAIM**

We claim the ornamental design for a lid, as shown and described.

(58) **Field of Classification Search**
USPC D7/392, 392.1, 509, 510, 534; D9/435, D9/447, 449
CPC A47G 19/2272; A47G 19/22; B65D 43/02; B65D 47/08
See application file for complete search history.

DESCRIPTION

FIG. 1 is a front perspective view of a lid according to our new design;
FIG. 2 is a top plan view thereof;
FIG. 3 is a front elevation view thereof;
FIG. 4 is a left side elevation view thereof;
FIG. 5 is a rear elevation view thereof; and,
FIG. 6 is a right side elevation view thereof.

(56) **References Cited**

U.S. PATENT DOCUMENTS

D413,485 S * 9/1999 Much D7/392.1
D463,207 S * 9/2002 Norris D7/392.1

1 Claim, 4 Drawing Sheets

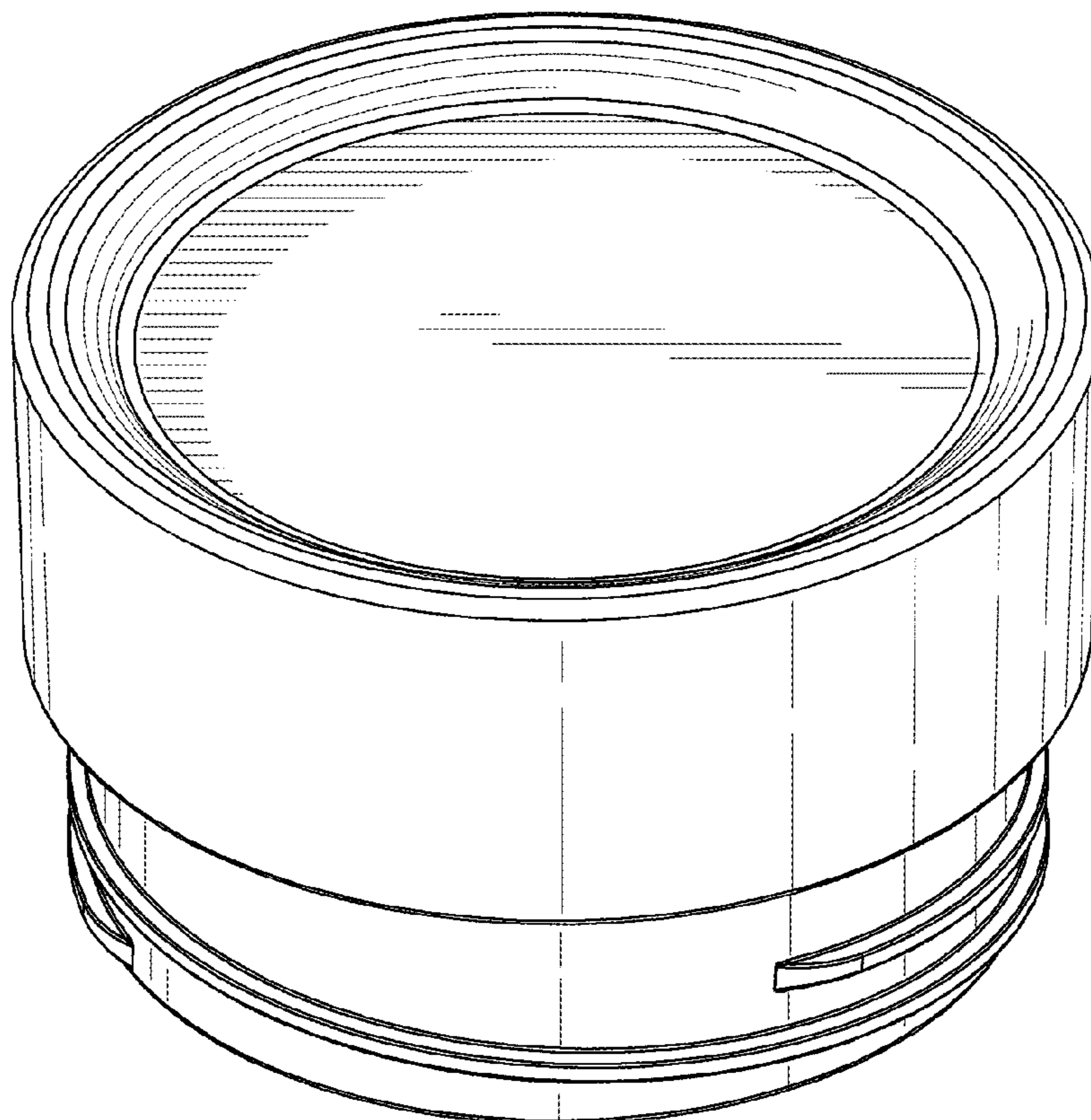


FIG. 1

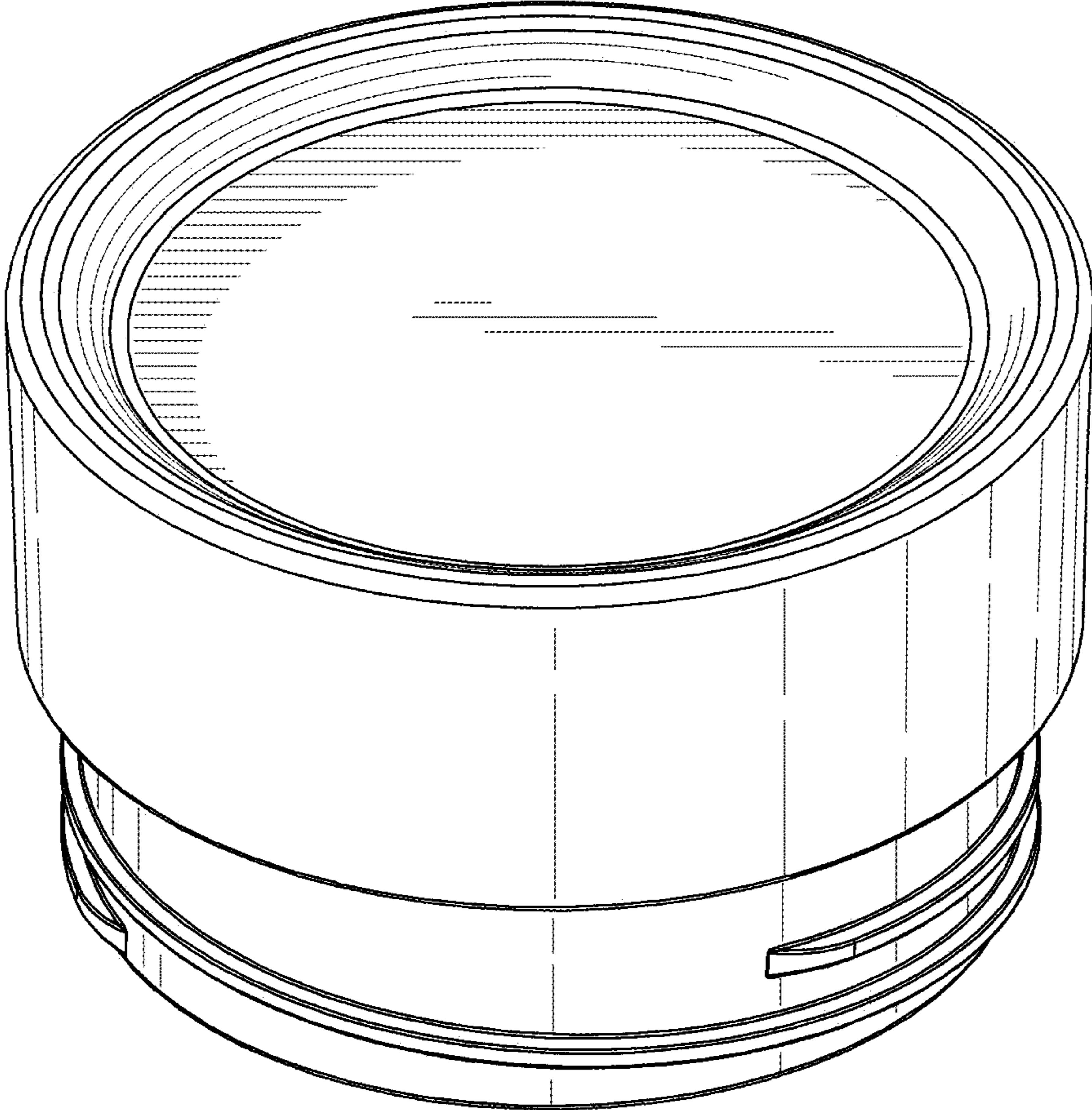


FIG. 2

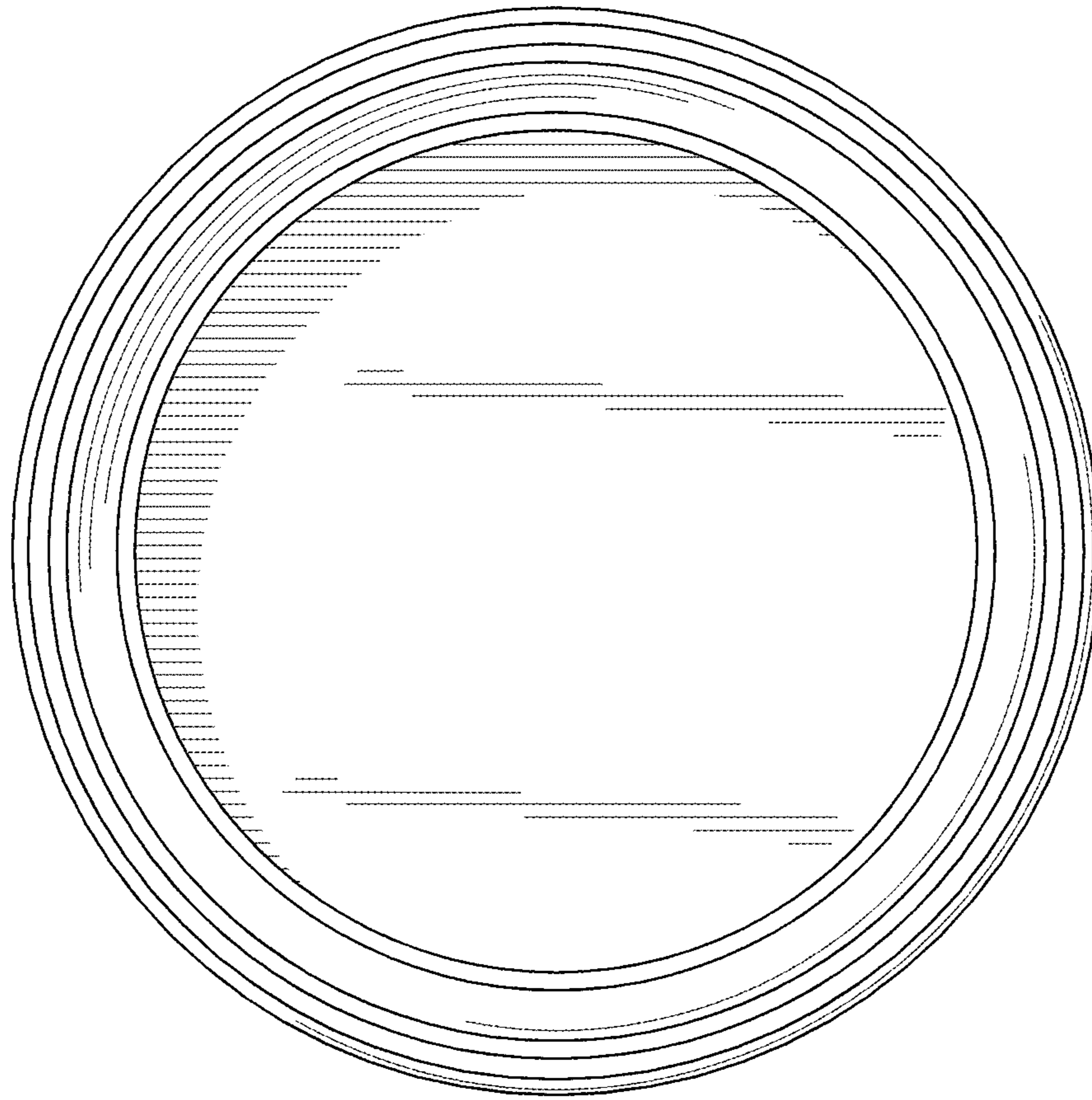


FIG. 3

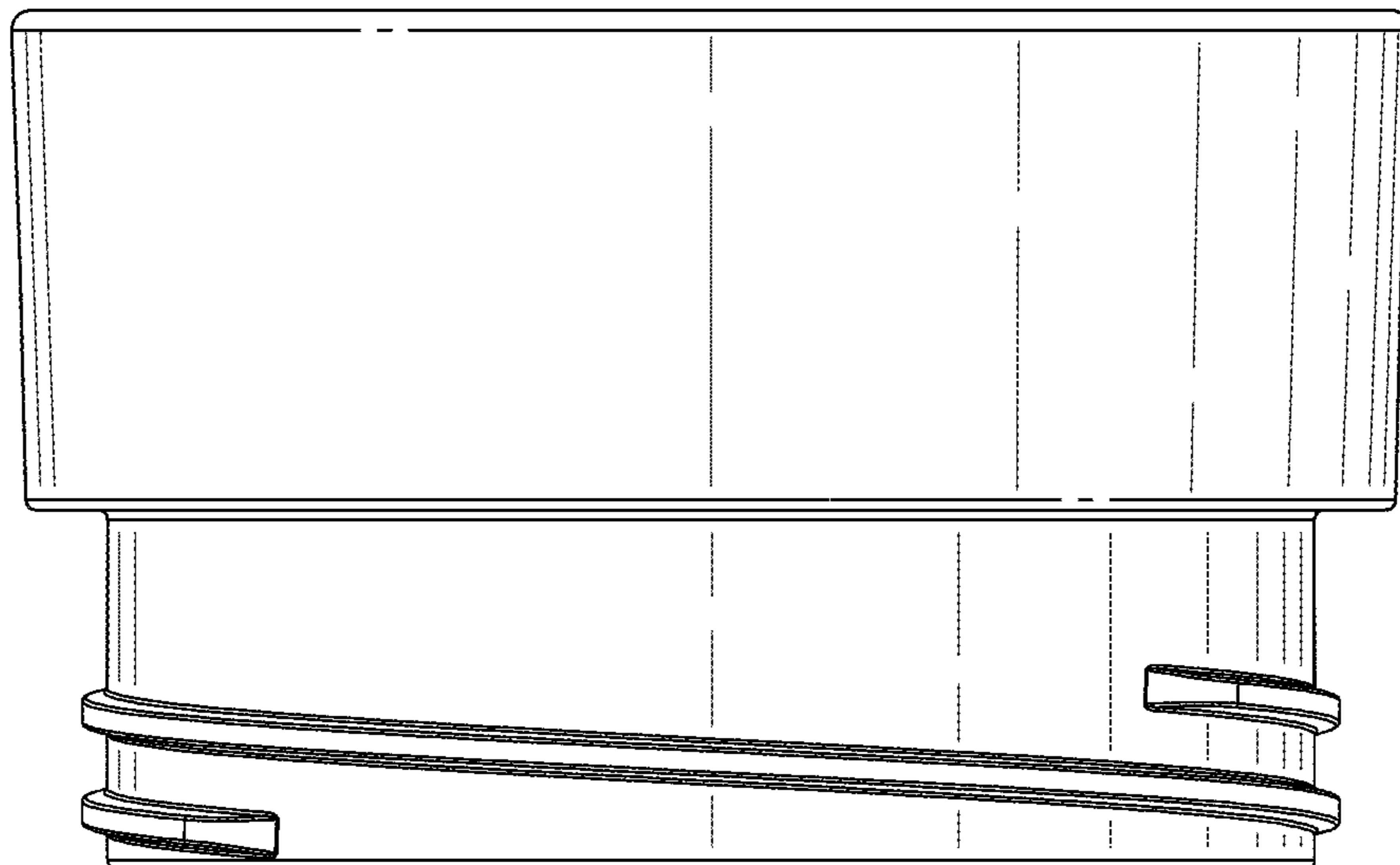


FIG. 4

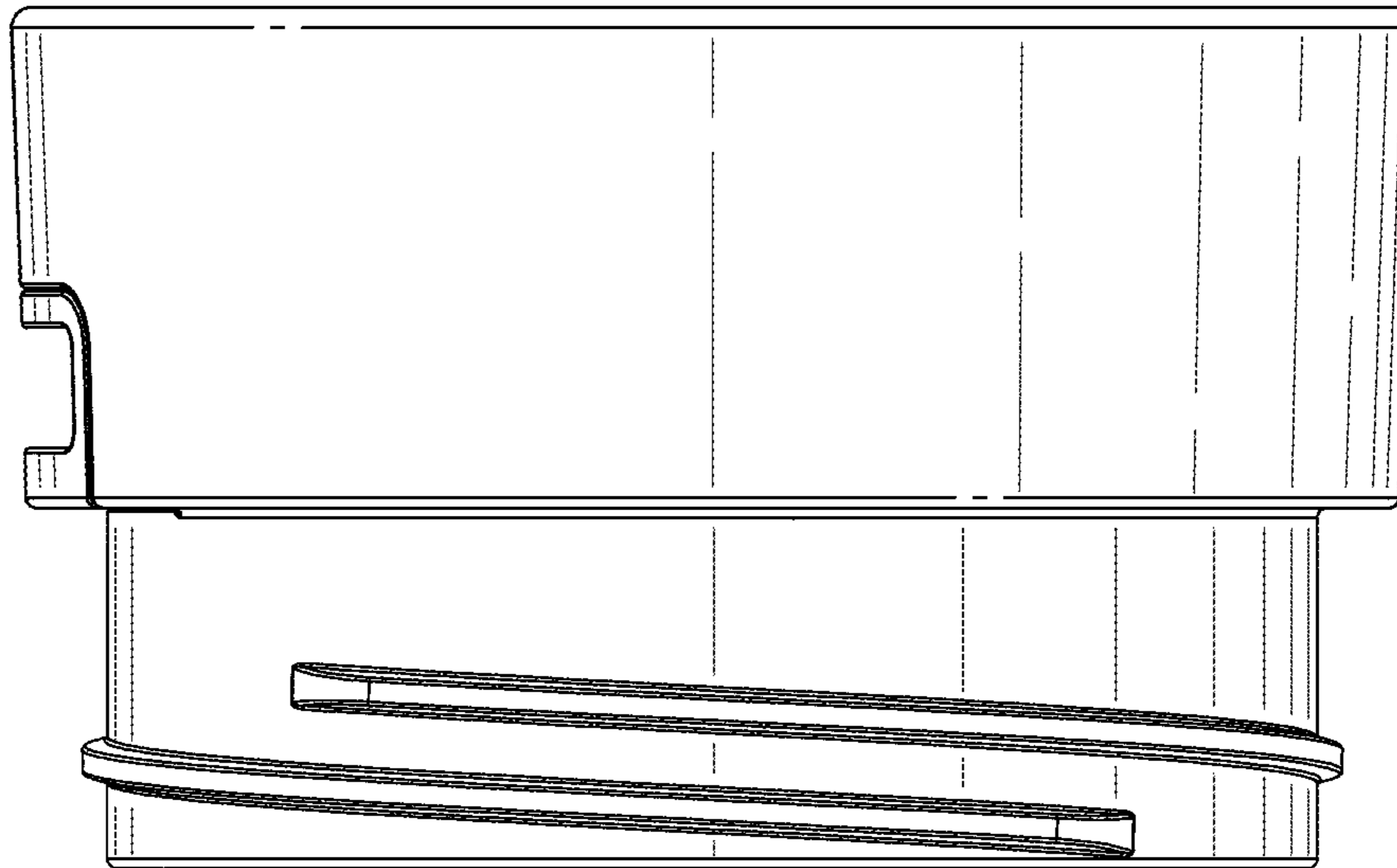


FIG. 5

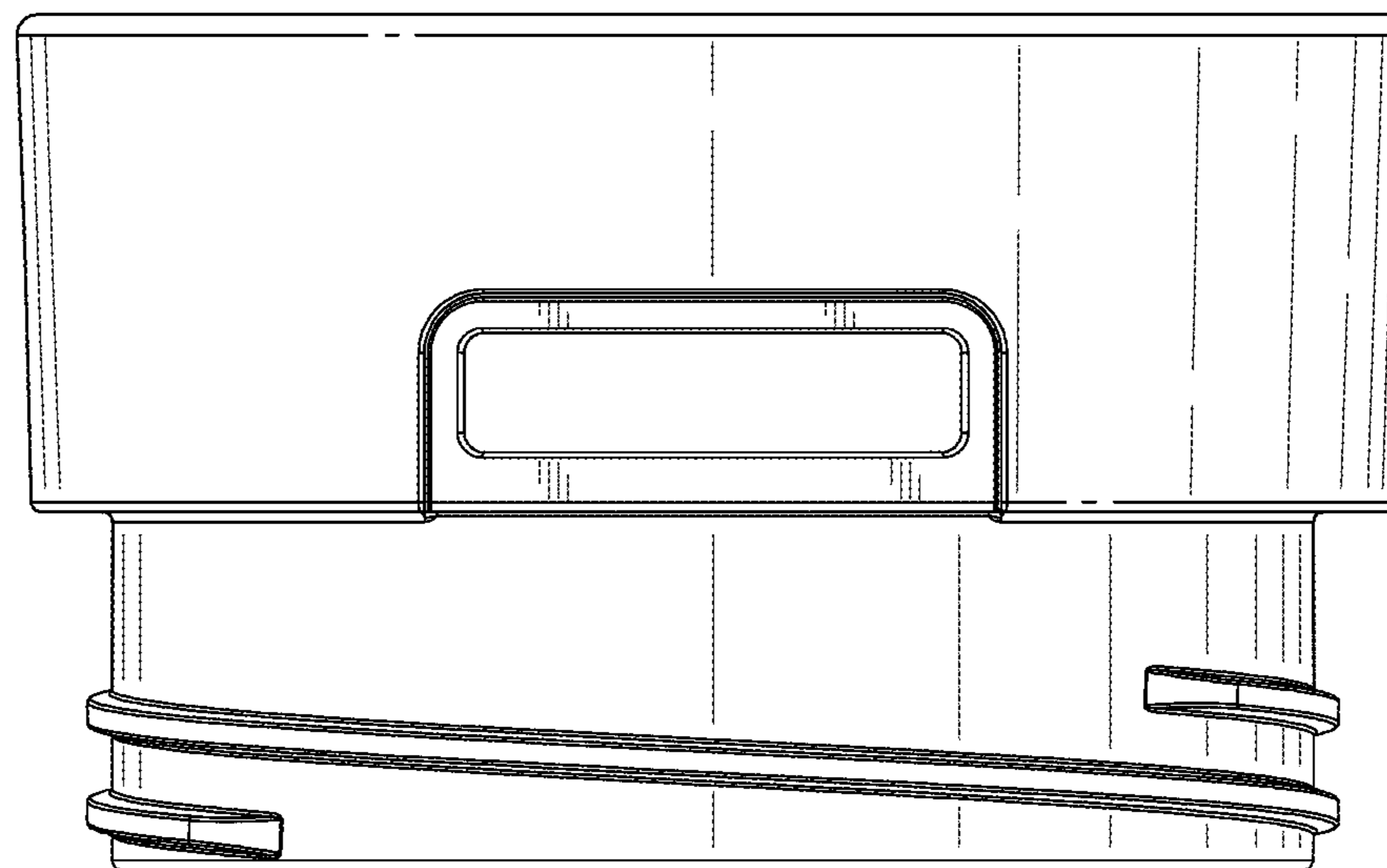


FIG. 6

