



US00D942803S

(12) **United States Design Patent** (10) **Patent No.:** **US D942,803 S**
DeLeo et al. (45) **Date of Patent:** **** Feb. 8, 2022**

(54) **BLENDER BASE**

(56) **References Cited**

(71) Applicant: **Sunbeam Products, Inc.**, Boca Raton, FL (US)

U.S. PATENT DOCUMENTS

(72) Inventors: **Anthony Michael DeLeo**, Portage, MI (US); **Adam Gralewski**, Kalamazoo, MI (US)

| | | | | | |
|------------|---|---------|-------------|-------|--------|
| D466,362 S | * | 12/2002 | Moore | | D7/378 |
| D473,100 S | * | 4/2003 | Sakai | | D7/378 |
| D533,020 S | * | 12/2006 | Kassenaar | | D7/378 |
| D613,547 S | * | 4/2010 | Day | | D7/378 |
| D749,893 S | * | 2/2016 | Bazzicalupo | | D7/378 |
| D784,071 S | * | 4/2017 | Davies | | D7/386 |
| D805,344 S | * | 12/2017 | Yuan | | D7/378 |
| D811,808 S | * | 3/2018 | Palermo | | D7/386 |
| D811,809 S | * | 3/2018 | Palermo | | D7/386 |
| D842,643 S | * | 3/2019 | Mullen | | D7/378 |
| D844,372 S | * | 4/2019 | De | | D7/386 |
| D904,822 S | * | 12/2020 | Koszylko | | D7/386 |
| D920,734 S | * | 6/2021 | Steiner | | D7/386 |

(73) Assignee: **Sunbeam Products, Inc.**, Boca Raton, FL (US)

(**) Term: **15 Years**

* cited by examiner

(21) Appl. No.: **29/748,420**

(22) Filed: **Aug. 28, 2020**

Primary Examiner — Ricky Pham

(51) **LOC (13) Cl.** **31-00**

(74) *Attorney, Agent, or Firm* — Husch Blackwell LLP

(52) **U.S. Cl.**
USPC **D7/386; D7/376; D7/378; D7/412; D7/413**

(57) **CLAIM**

We claim the ornamental design for a blender base, as shown and described.

(58) **Field of Classification Search**

DESCRIPTION

USPC D7/372, 376–386, 412–413, 602, 629, D7/665–666, 669, 679, 693–694
CPC A21C 1/02; A21C 1/04; A23N 1/00; A23N 1/02; A47J 43/04; A47J 43/25; A47J 43/27; A47J 43/042; A47J 43/044; A47J 43/046; A47J 43/075; A47J 43/0722; A47J 43/0727; A47J 45/08; B01F 3/00; B01F 3/0807; B01F 3/0853; B01F 13/0059; B01F 13/0064; B02C 1/08; B02C 2/04; B02C 4/42; B02C 4/142; B02C 4/143; B02C 4/423; B02C 13/1835; B28C 5/10; B28C 5/12; B28C 5/14; B28C 5/16

FIG. 1 is a perspective view of a blender base according to our new design;
FIG. 2 is a front elevation view thereof;
FIG. 3 is a top plan view thereof;
FIG. 4 is a right side elevation view thereof;
FIG. 5 is a rear elevation view thereof; and,
FIG. 6 is a left side elevation view thereof.
The broken lines in the figures illustrate unclaimed environment and form no part of the claimed design.

See application file for complete search history.

1 Claim, 6 Drawing Sheets

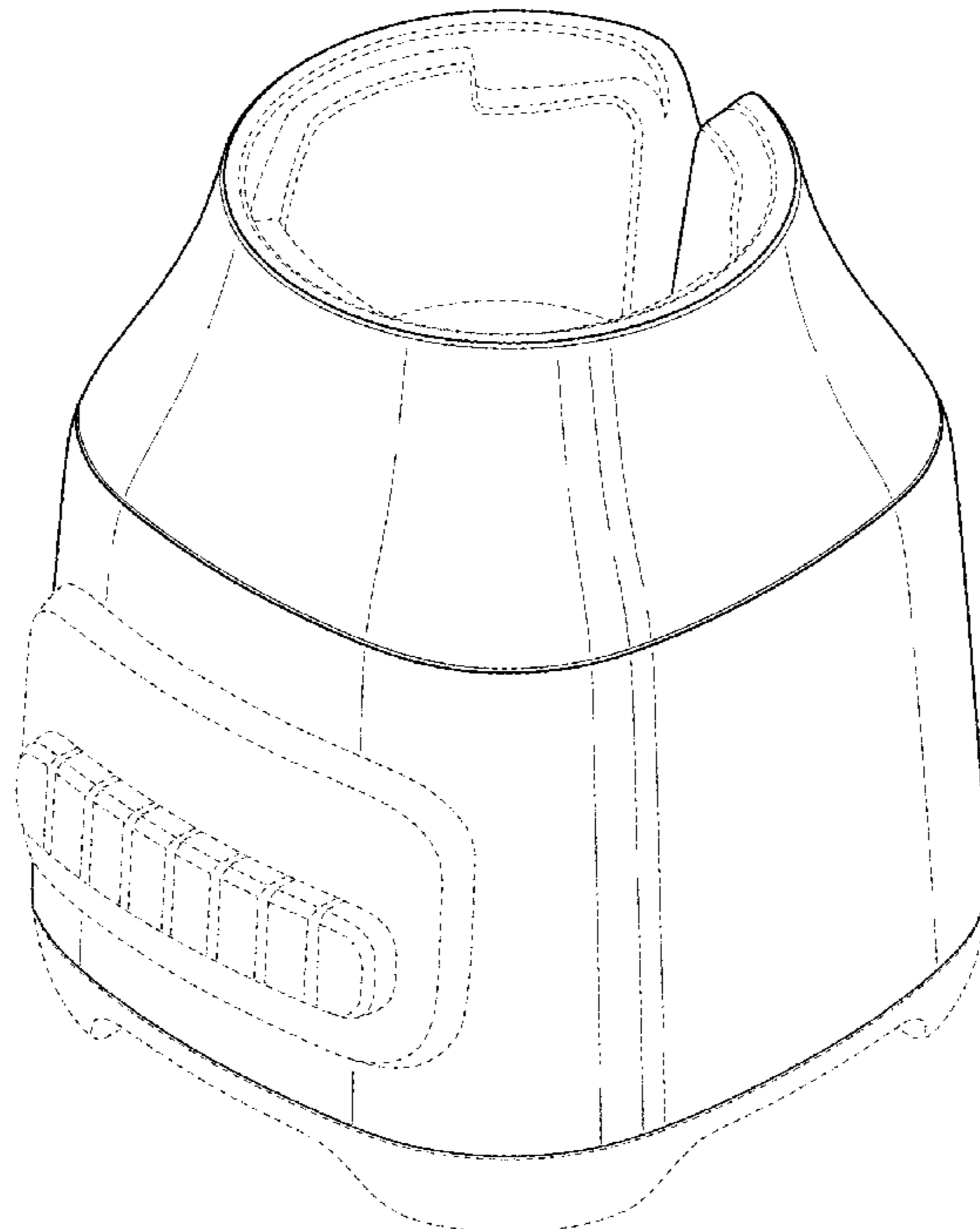


FIG. 1

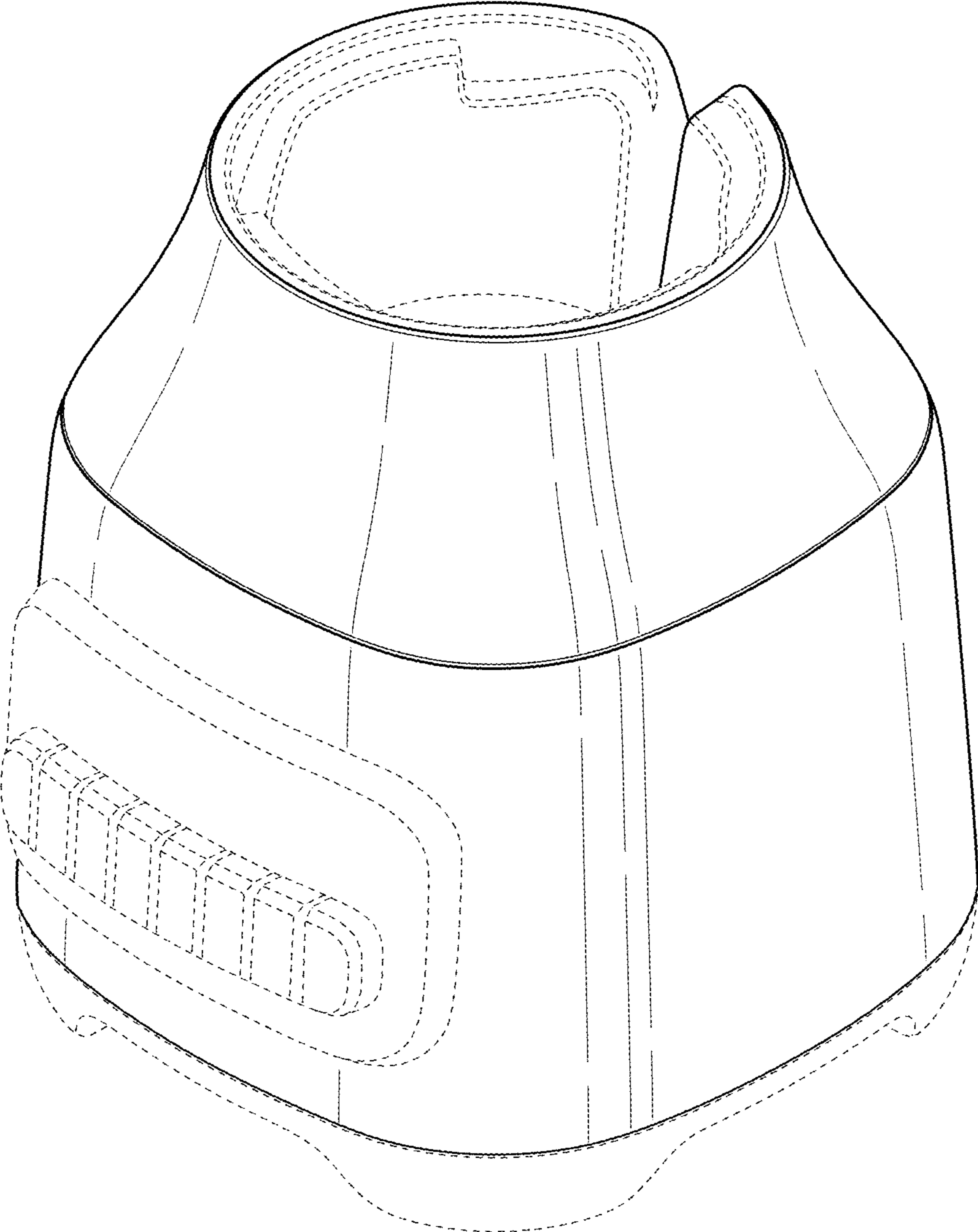


FIG. 2

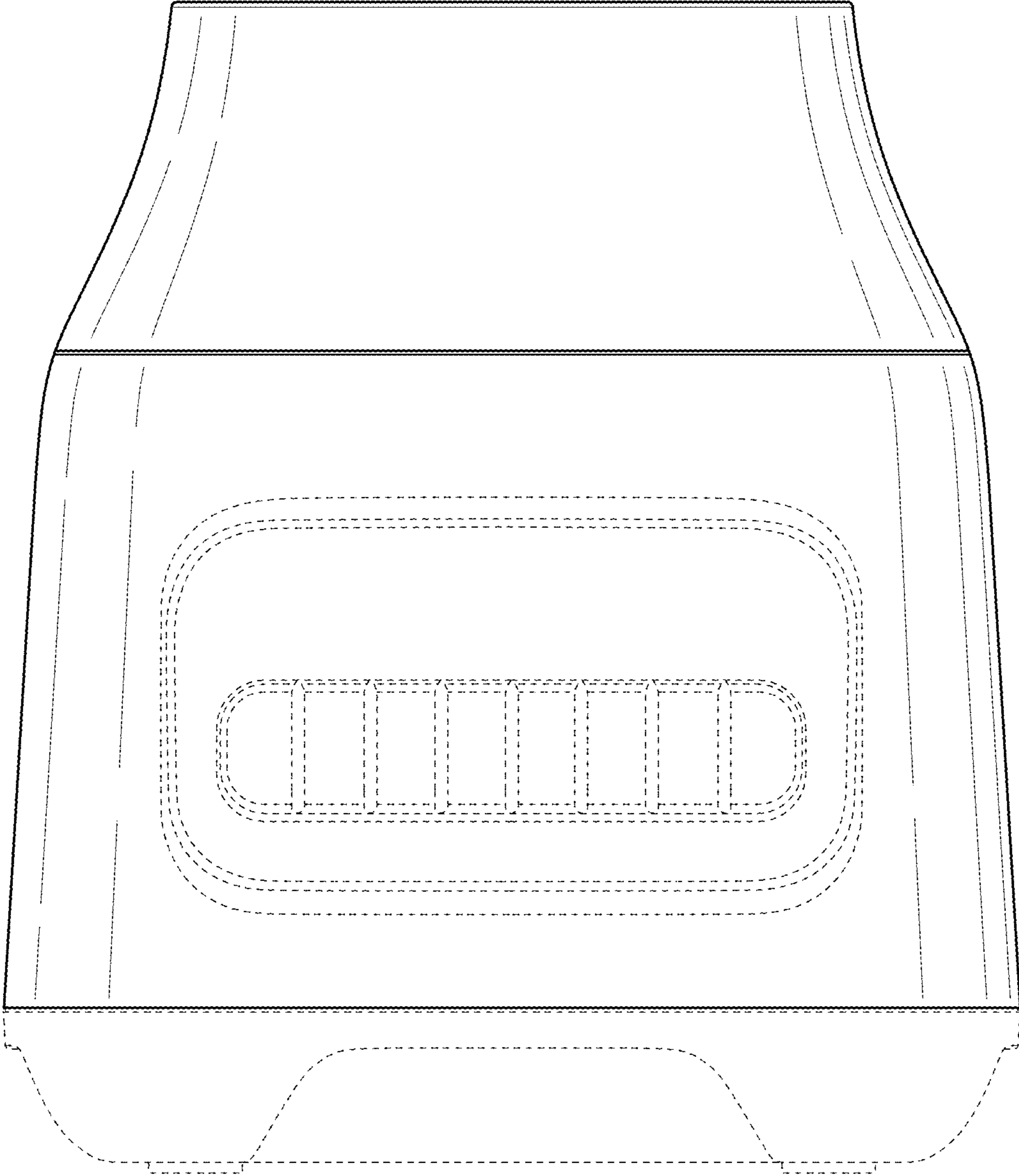


FIG. 3

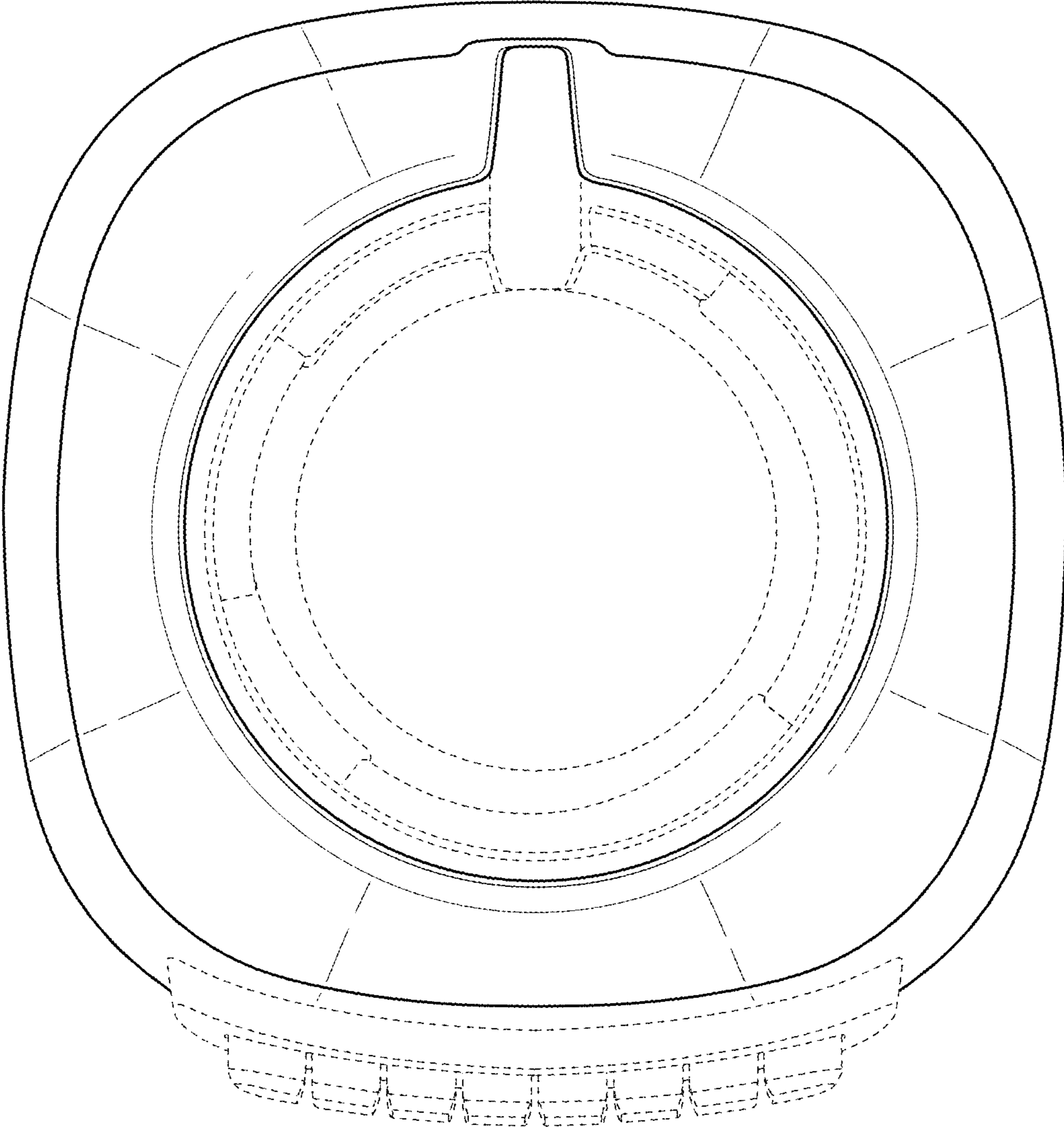


FIG. 4

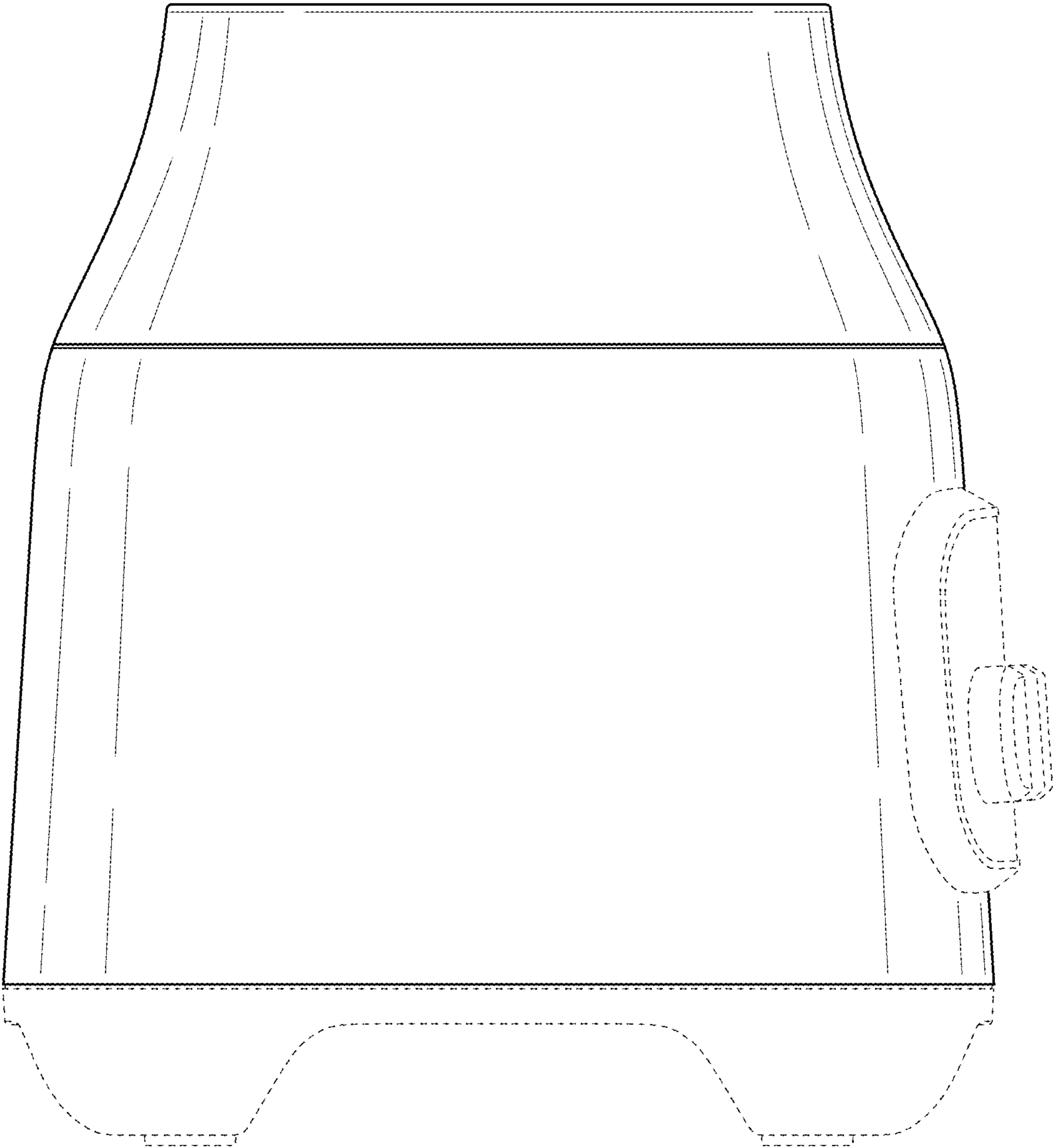


FIG. 5

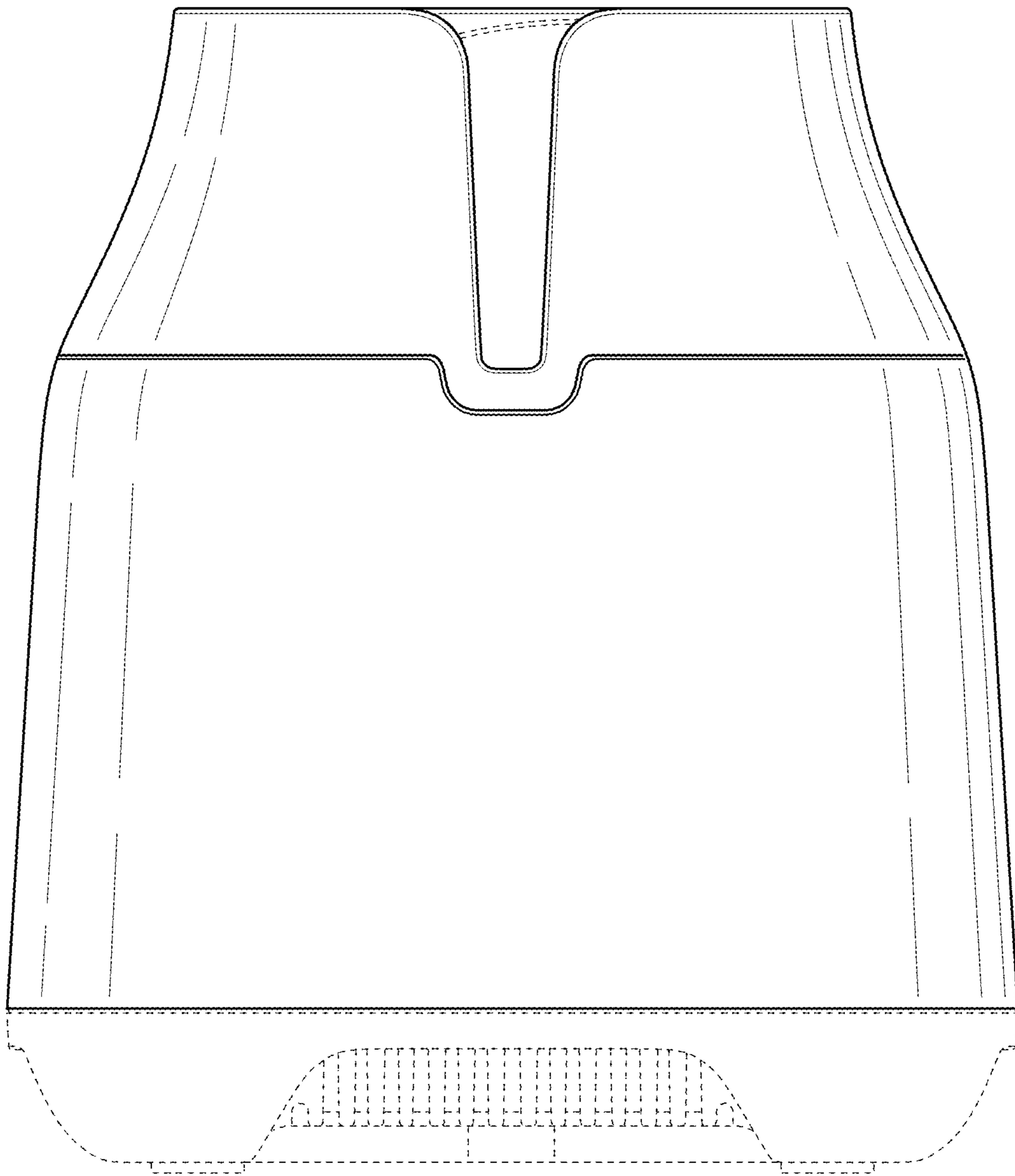


FIG. 6

