



US00D942802S

(12) **United States Design Patent** (10) **Patent No.:** **US D942,802 S**  
**DeLeo et al.** (45) **Date of Patent:** **\*\* Feb. 8, 2022**

(54) **BLENDER BASE**

(56) **References Cited**

(71) Applicant: **Sunbeam Products, Inc.**, Boca Raton, FL (US)

U.S. PATENT DOCUMENTS

(72) Inventors: **Anthony M. DeLeo**, Portage, MI (US);  
**Elliott G. Copier**, Grand Rapids, MI (US)

D466,362 S *	12/2002	Moore	.....	D7/378
D473,100 S *	4/2003	Sakai	.....	D7/378
D533,020 S *	12/2006	Kassenaar	.....	D7/378
D613,547 S *	4/2010	Day	.....	D7/378
D749,893 S *	2/2016	Bazzicalupo	.....	D7/378
D784,071 S *	4/2017	Davies	.....	D7/386
D805,344 S *	12/2017	Yuan	.....	D7/378
D811,808 S *	3/2018	Palermo	.....	D7/386
D811,809 S *	3/2018	Palermo	.....	D7/386
D842,643 S *	3/2019	Mullen	.....	D7/378
D844,372 S *	4/2019	DeLeo	.....	D7/386
D904,822 S *	12/2020	Koszylko	.....	D7/386
D920,734 S *	6/2021	Steiner	.....	D7/386

(73) Assignee: **Sunbeam Products, Inc.**, Boca Raton, FL (US)

(\*\*) Term: **15 Years**

\* cited by examiner

(21) Appl. No.: **29/746,343**

(22) Filed: **Aug. 13, 2020**

*Primary Examiner* — Ricky Pham

(51) **LOC (13) Cl.** ..... **31-00**

(74) *Attorney, Agent, or Firm* — Husch Blackwell LLP

(52) **U.S. Cl.**  
USPC ..... **D7/386; D7/376; D7/378; D7/412; D7/413**

(57) **CLAIM**

We claim the ornamental design for a blender base, as shown and described.

(58) **Field of Classification Search**

**DESCRIPTION**

USPC ..... D7/372, 376–386, 412–413, 602, 629, D7/665–666, 669, 679, 693–694  
CPC .... A21C 1/02; A21C 1/04; A23N 1/00; A23N 1/02; A47J 43/04; A47J 43/25; A47J 43/27; A47J 43/042; A47J 43/044; A47J 43/046; A47J 43/075; A47J 43/0722; A47J 43/0727; A47J 45/08; B01F 3/00; B01F 3/0807; B01F 3/0853; B01F 13/0059; B01F 13/0064; B02C 1/08; B02C 2/04; B02C 4/42; B02C 4/142; B02C 4/143; B02C 4/423; B02C 13/1835; B28C 5/10; B28C 5/12; B28C 5/14; B28C 5/16

FIG. 1 is a perspective view of a blender base according to our new design;  
FIG. 2 is a front elevation view thereof;  
FIG. 3 is a top plan view thereof;  
FIG. 4 is a right side elevation view thereof;  
FIG. 5 is a rear elevation view thereof; and,  
FIG. 6 is a left side elevation view thereof.  
The broken lines in the figures illustrate unclaimed environment and form no part of the claimed design.

See application file for complete search history.

**1 Claim, 6 Drawing Sheets**

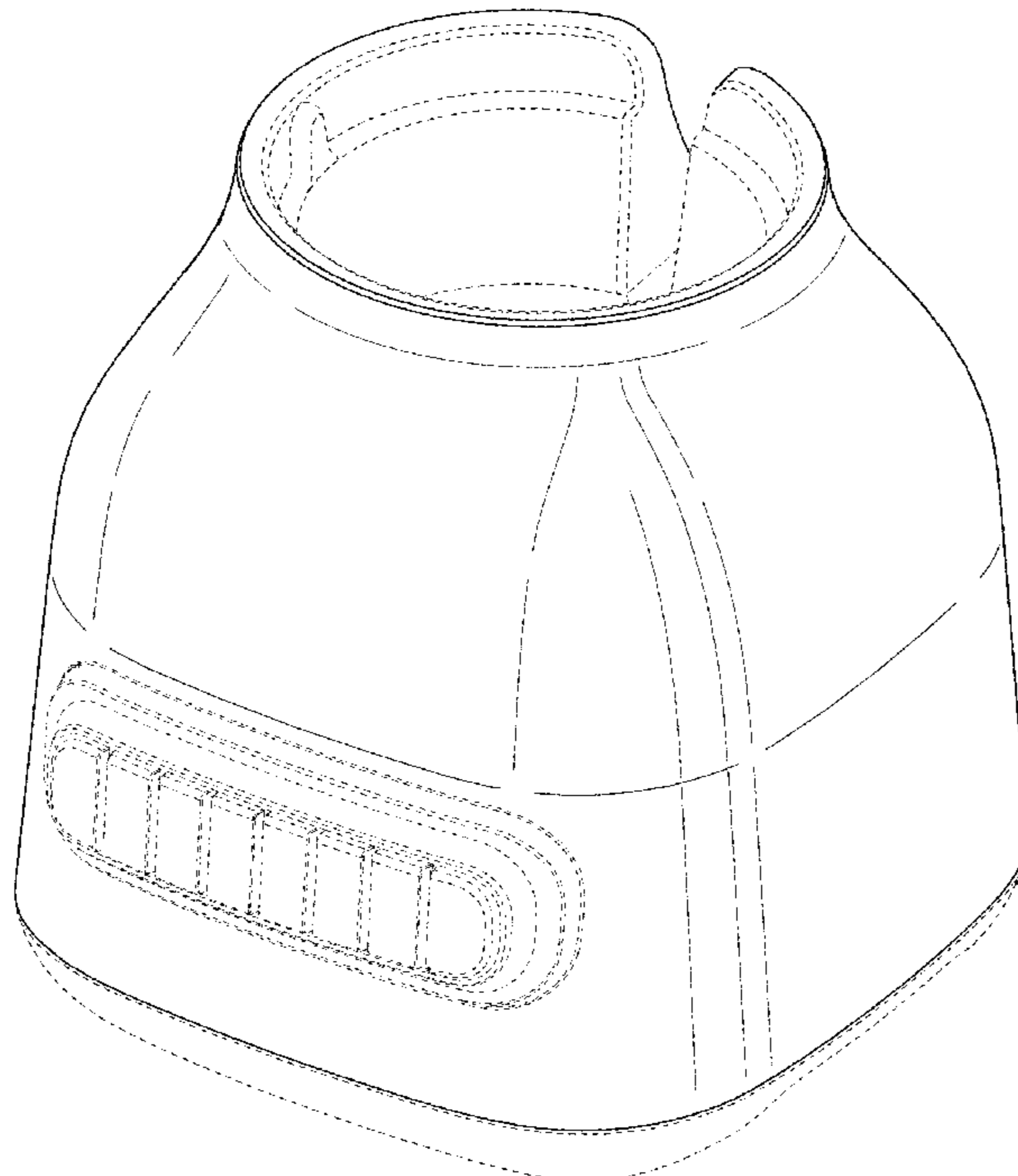


FIG. 1

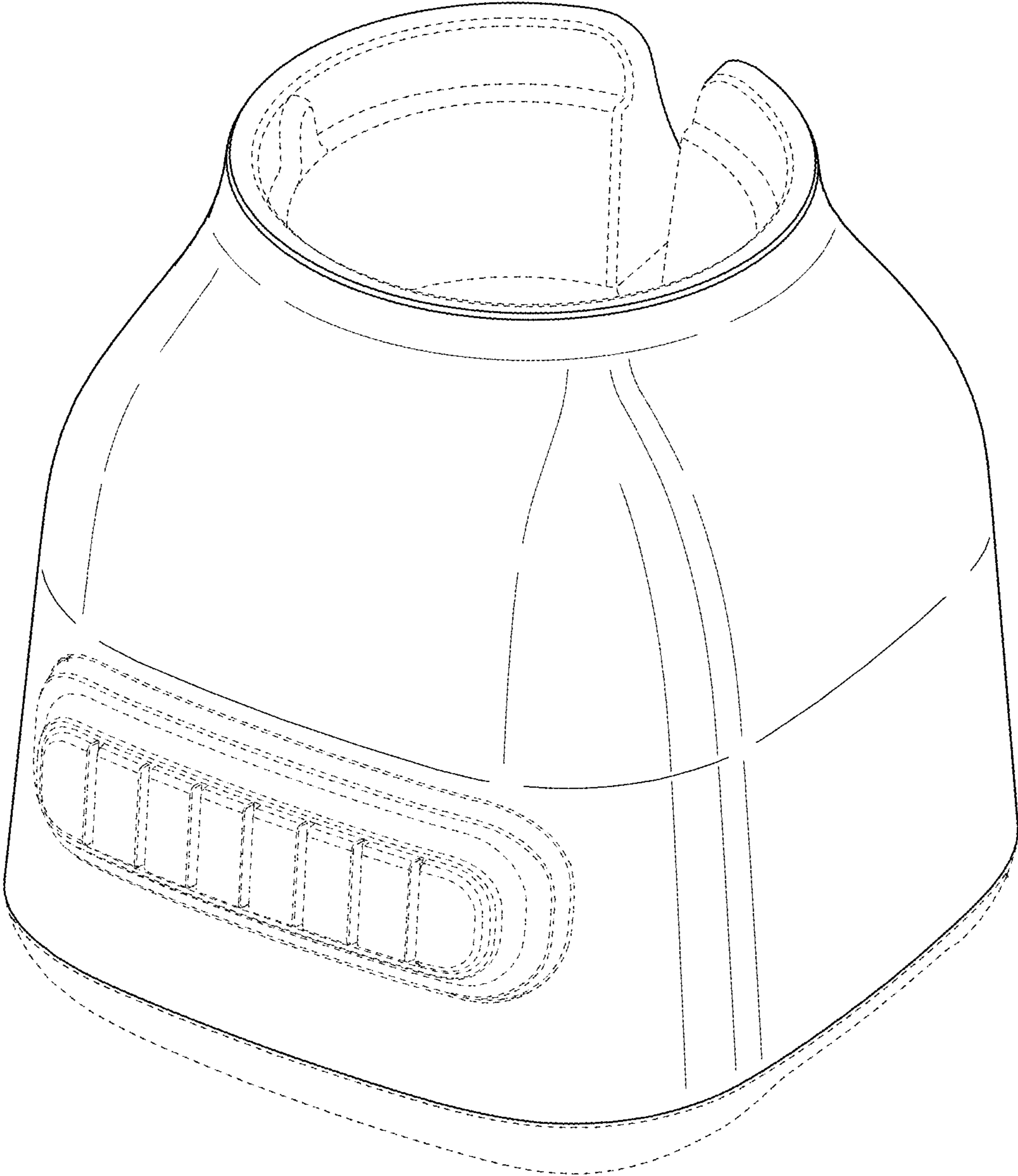
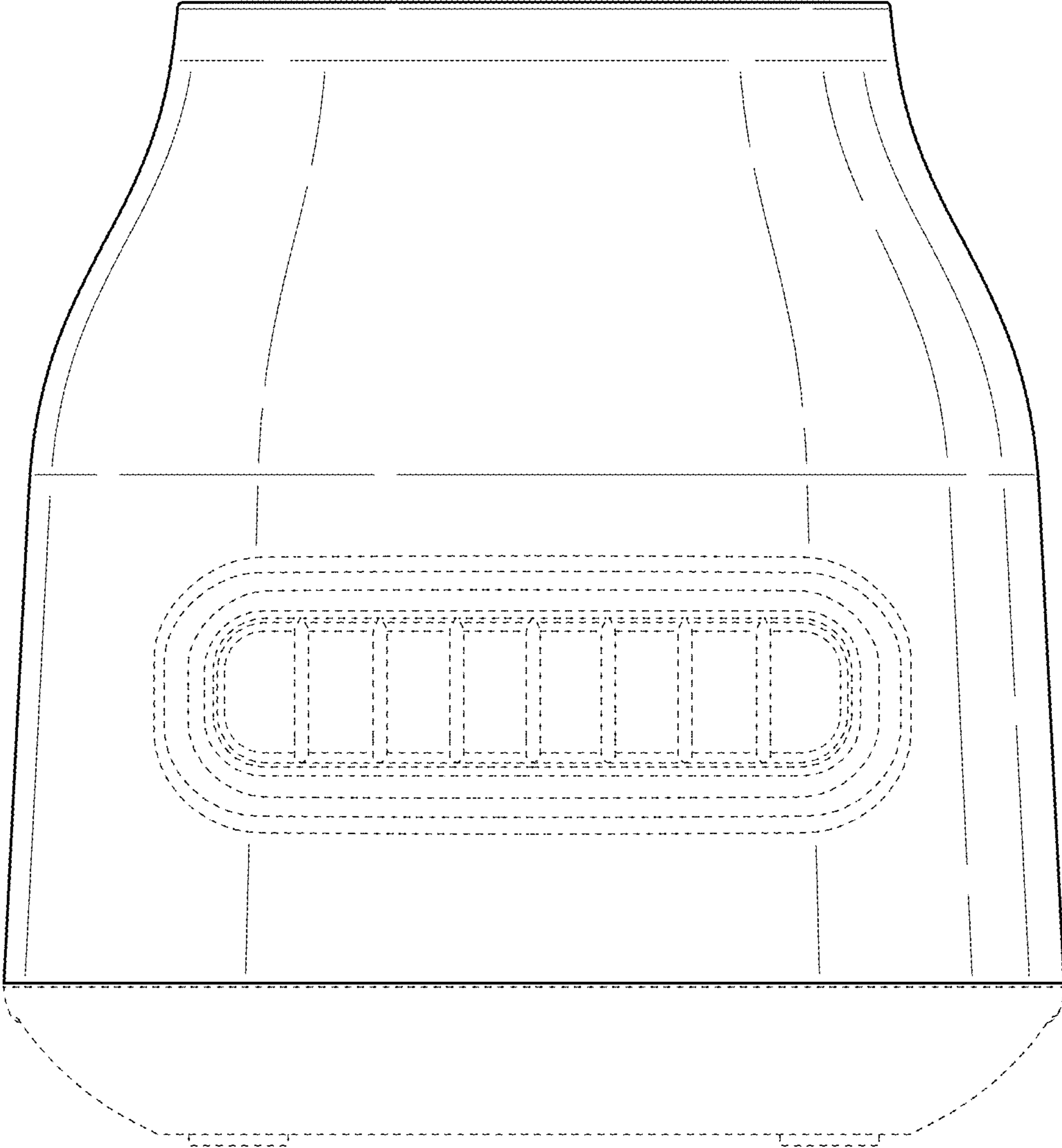


FIG. 2



**FIG. 3**

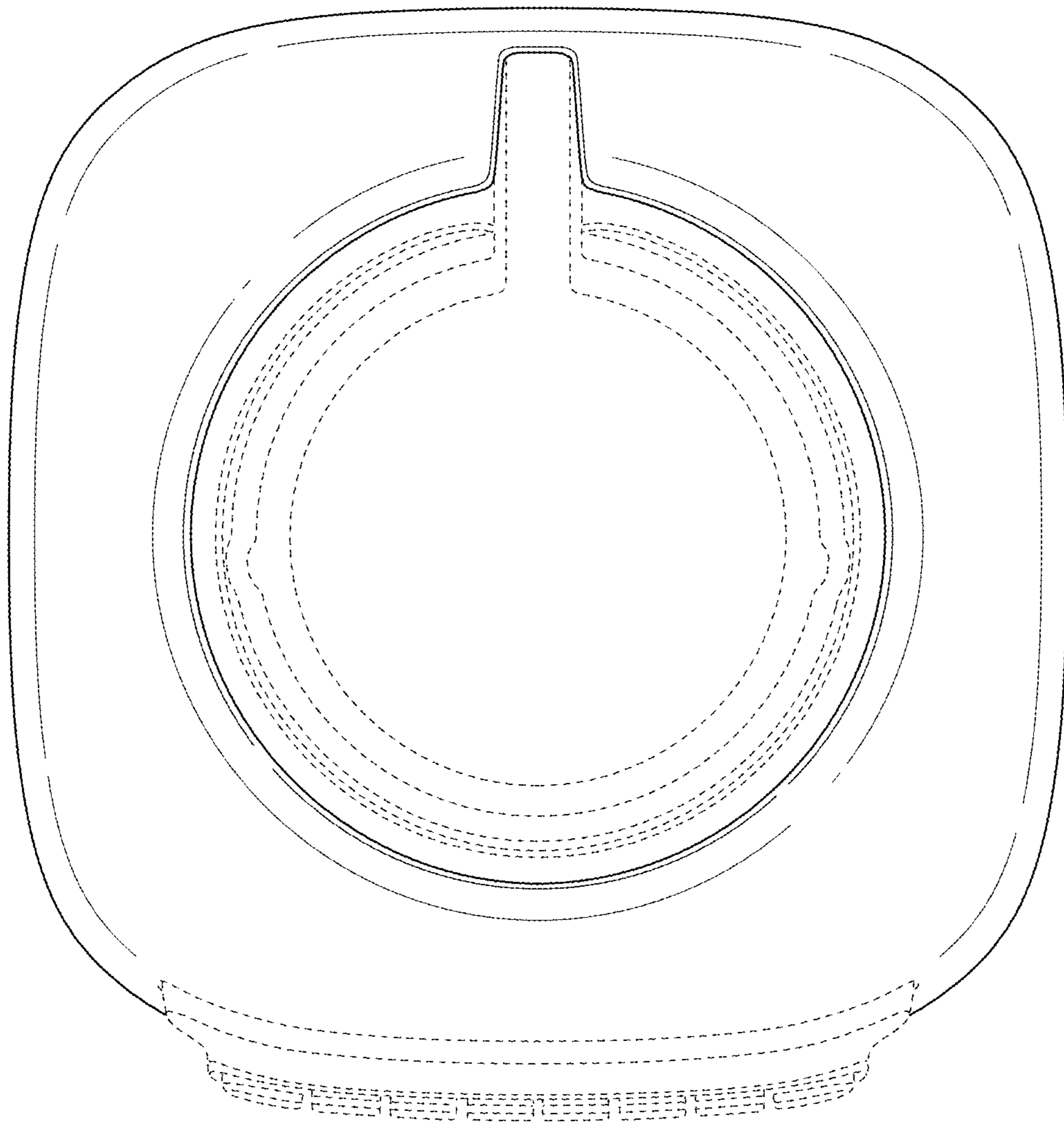


FIG. 4

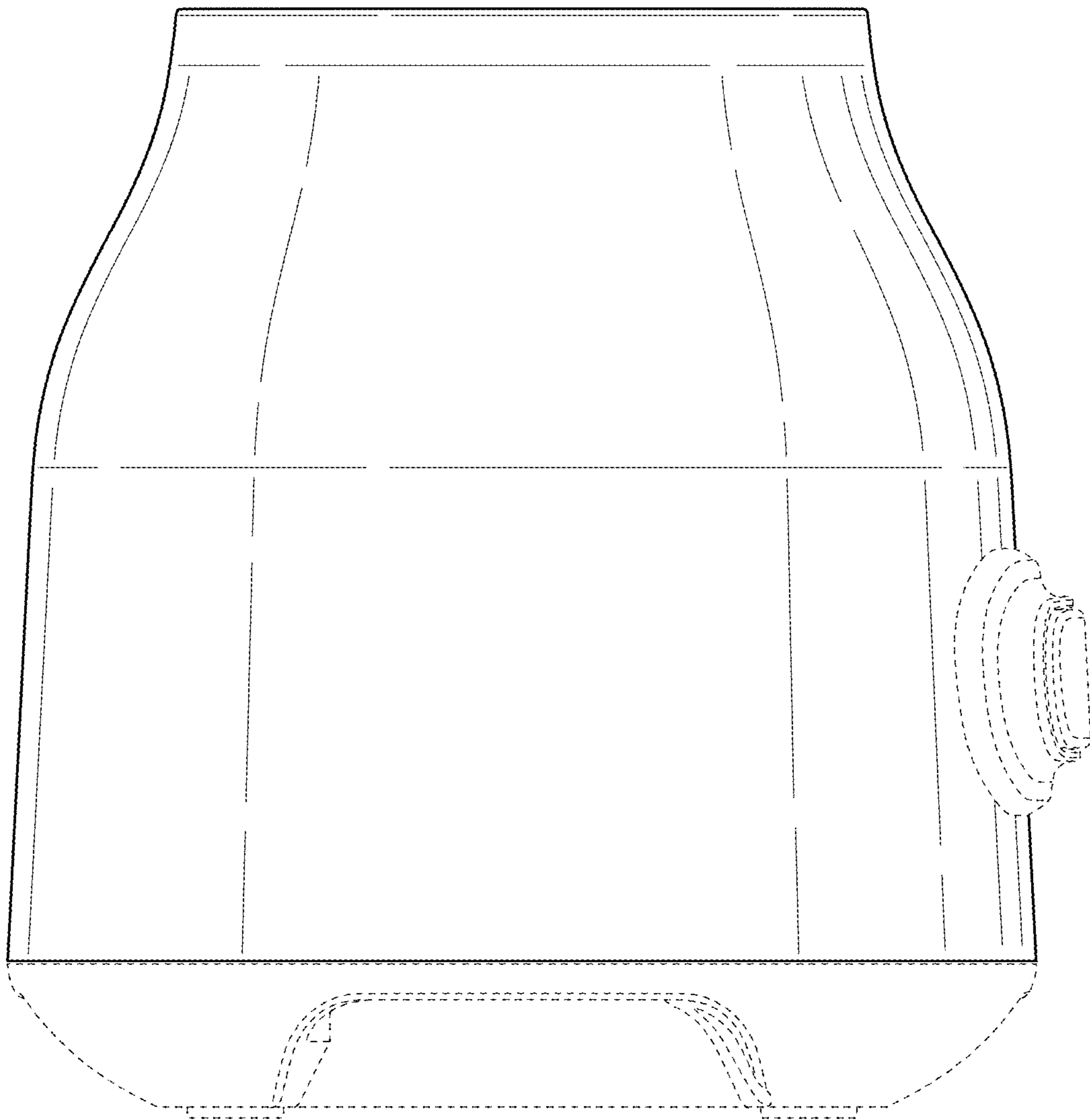


FIG. 5

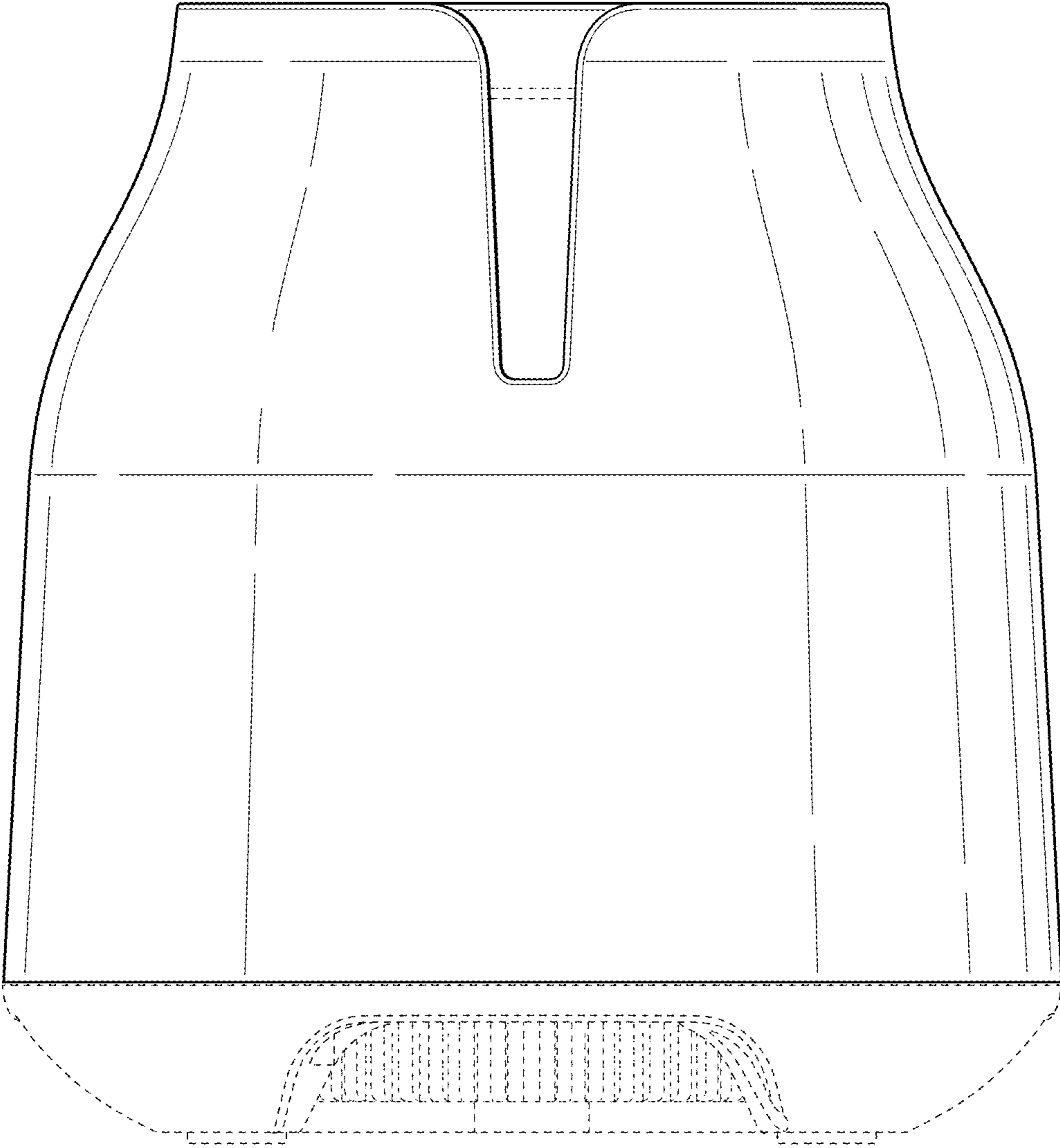


FIG. 6

