

US00D942801S

(12) **United States Design Patent** (10) **Patent No.:** **US D942,801 S**  
**Chen** (45) **Date of Patent:** **\*\* Feb. 8, 2022**

(54) **FOOD PROCESSOR**

(71) Applicant: **Shuangma Plastic Manufacturing Inc., Zhejiang (CN)**

(72) Inventor: **Cuihong Chen, Zhejiang (CN)**

(\*\*) Term: **15 Years**

(21) Appl. No.: **29/752,485**

(22) Filed: **Sep. 28, 2020**

(30) **Foreign Application Priority Data**

Jun. 15, 2020 (CN) ..... 202030304151.2

(51) **LOC (13) Cl.** ..... **31-00**

(52) **U.S. Cl.**  
USPC ..... **D7/384; D7/376; D7/378**

(58) **Field of Classification Search**  
USPC ..... D7/372, 376-386, 391, 412-413, 602, D7/629, 665-666, 669, 673, 679, D7/693-694; D9/428  
CPC .... A21C 1/02; A21C 1/04; A23N 1/00; A23N 1/02; A47J 43/04; A47J 43/24; A47J 43/25; A47J 43/27; A47J 43/042; A47J 43/044; A47J 43/046; A47J 43/075; A47J 43/0722; A47J 43/0727; B01F 3/00; B01F 3/0807; B01F 3/0853; B01F 13/0059; B01F 13/0064; B02C 1/08; B02C 2/04; B02C 4/42; B02C 4/142; B02C 4/143; B02C 4/423; B02C 13/1835; B28C 5/10; B28C 5/12; B28C 5/14; B28C 5/16  
See application file for complete search history.

(56) **References Cited**

**U.S. PATENT DOCUMENTS**

D241,495 S \* 9/1976 Mantelet ..... D7/665  
6,622,618 B1 \* 9/2003 Glucksman ..... A47J 43/24  
210/360.1  
D538,606 S \* 3/2007 Hood ..... D7/665

D603,226 S \* 11/2009 Hood ..... D7/629  
7,621,213 B2 \* 11/2009 Wong ..... A47J 43/24  
34/58  
D614,457 S \* 4/2010 Jossem ..... D7/679  
D672,211 S \* 12/2012 Nie ..... D7/665  
D708,903 S \* 7/2014 Wong ..... D7/413  
D821,828 S \* 7/2018 Chen ..... D7/693  
D843,164 S \* 3/2019 Chen ..... D7/391  
D859,978 S \* 9/2019 Barrett ..... D9/428  
D873,628 S \* 1/2020 Chen ..... D7/673  
D906,066 S \* 12/2020 Lu ..... D7/693

**OTHER PUBLICATIONS**

Cambom Manual Food Chopper. Date First Available on Amazon.com Oct. 28, 2017. <https://www.amazon.com/dp/B076Y86MTT/ref> (Year: 2017).\*

\* cited by examiner

*Primary Examiner* — Ricky Pham  
(74) *Attorney, Agent, or Firm* — Prakash Nama; Global IP Services, PLLC

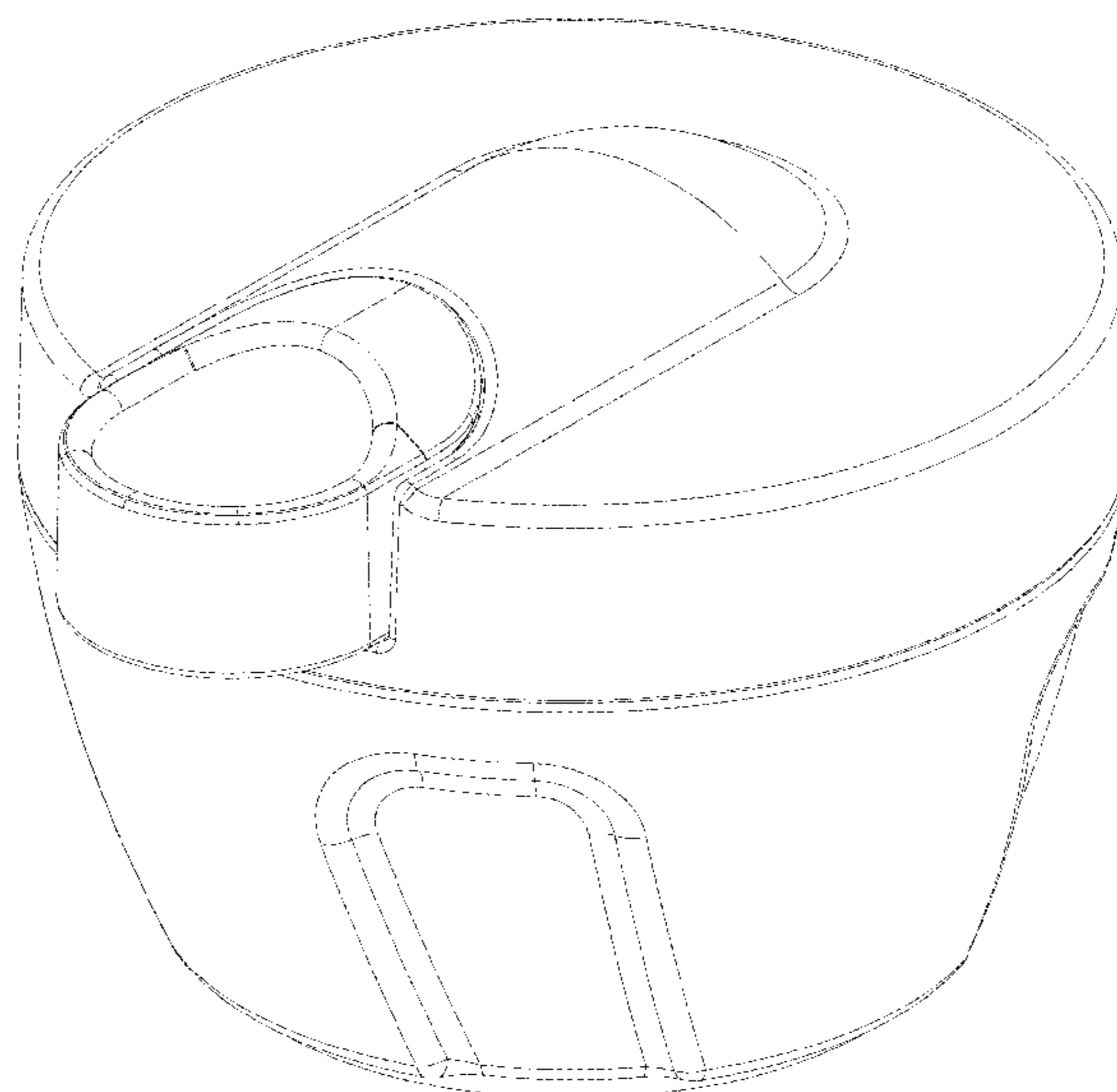
(57) **CLAIM**

The ornamental design for a food processor, as shown and described.

**DESCRIPTION**

FIG. 1 is a front elevational view of a food processor showing my new design;  
FIG. 2 is a rear elevational view thereof;  
FIG. 3 is a left side view thereof;  
FIG. 4 is a right side view thereof;  
FIG. 5 is a top plan view thereof;  
FIG. 6 is a bottom plan view thereof;  
FIG. 7 is a perspective view thereof; and,  
FIG. 8 is another perspective view thereof.  
The broken lines shown in food processor form no part of the claimed design.

**1 Claim, 8 Drawing Sheets**



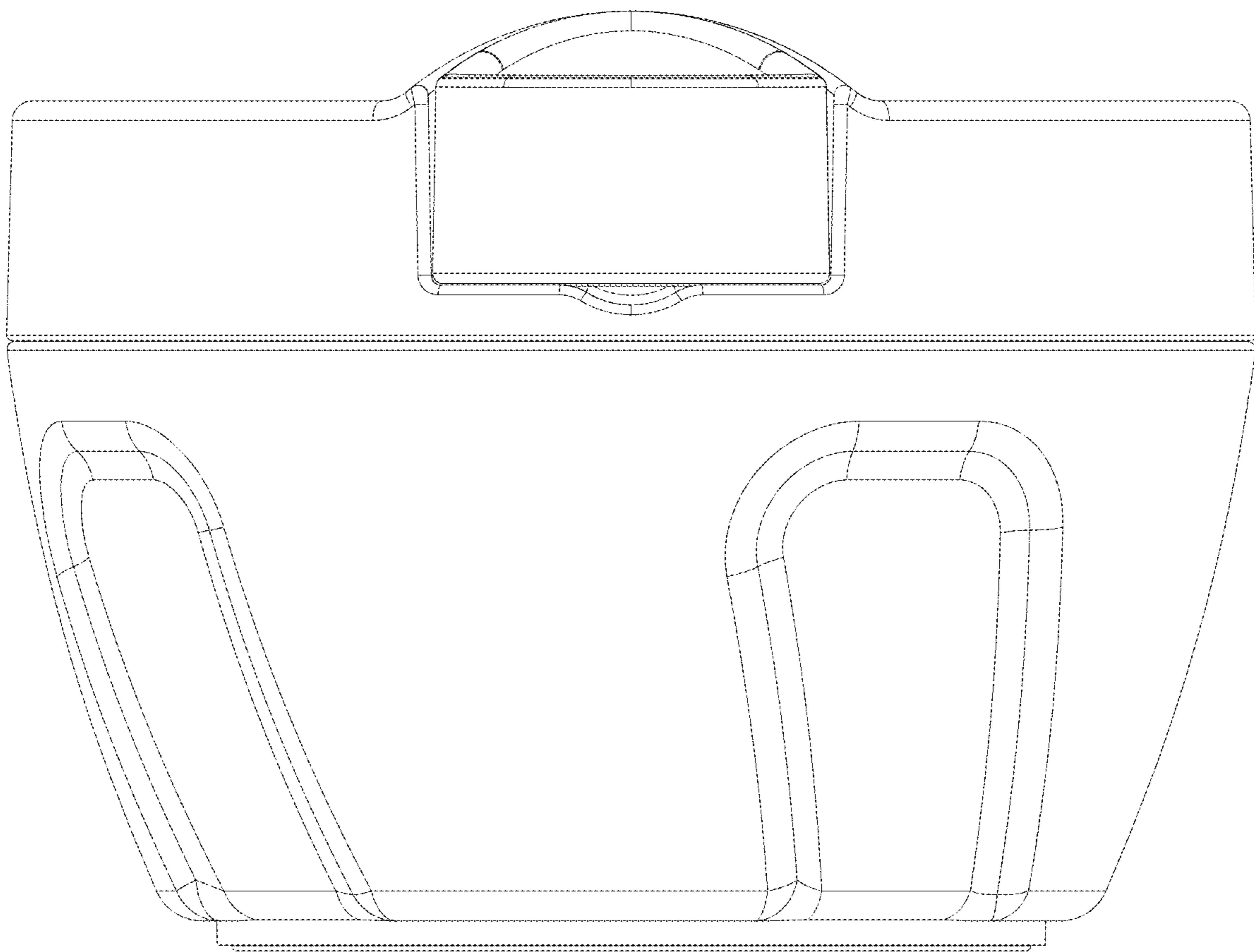


FIG. 1

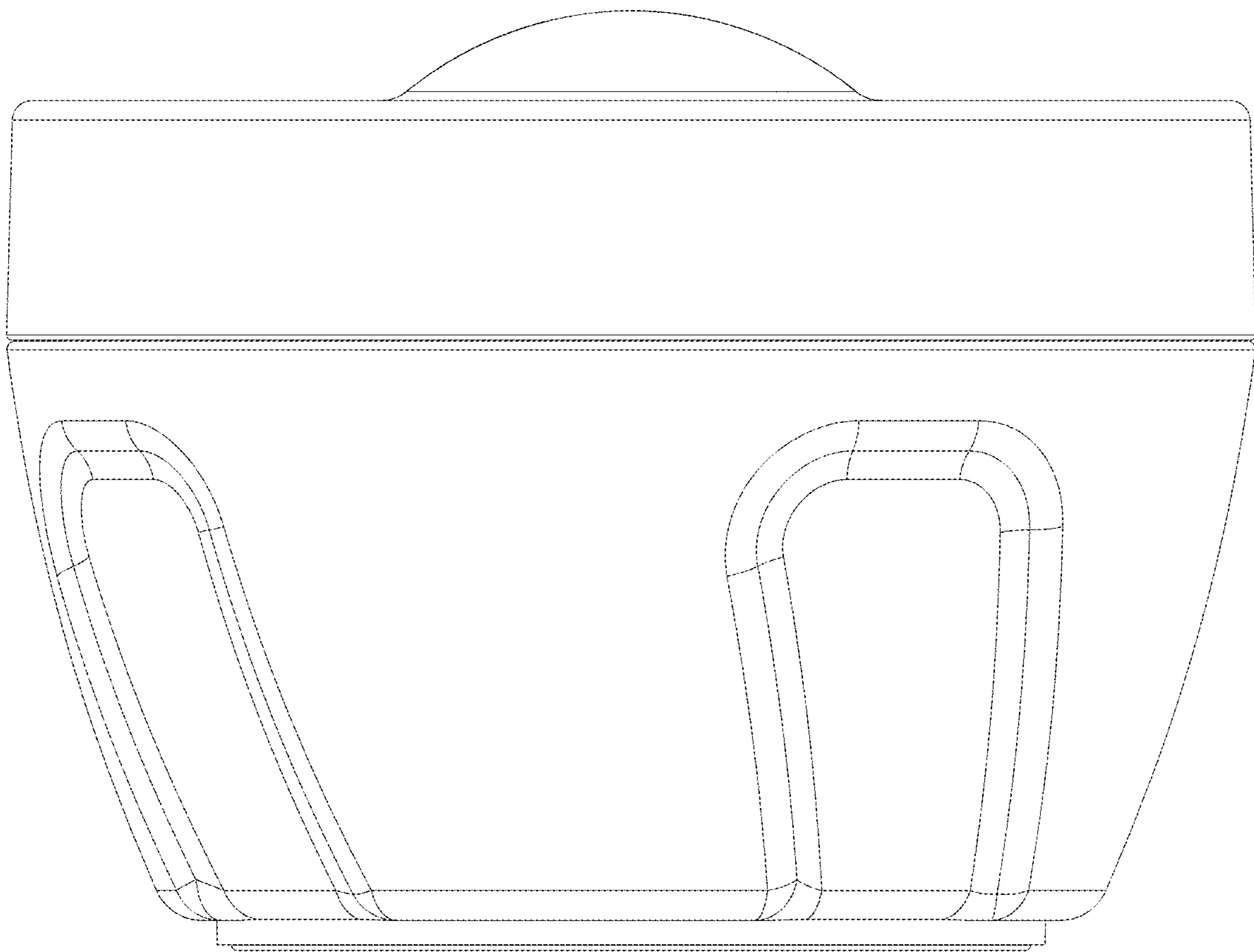


FIG. 2

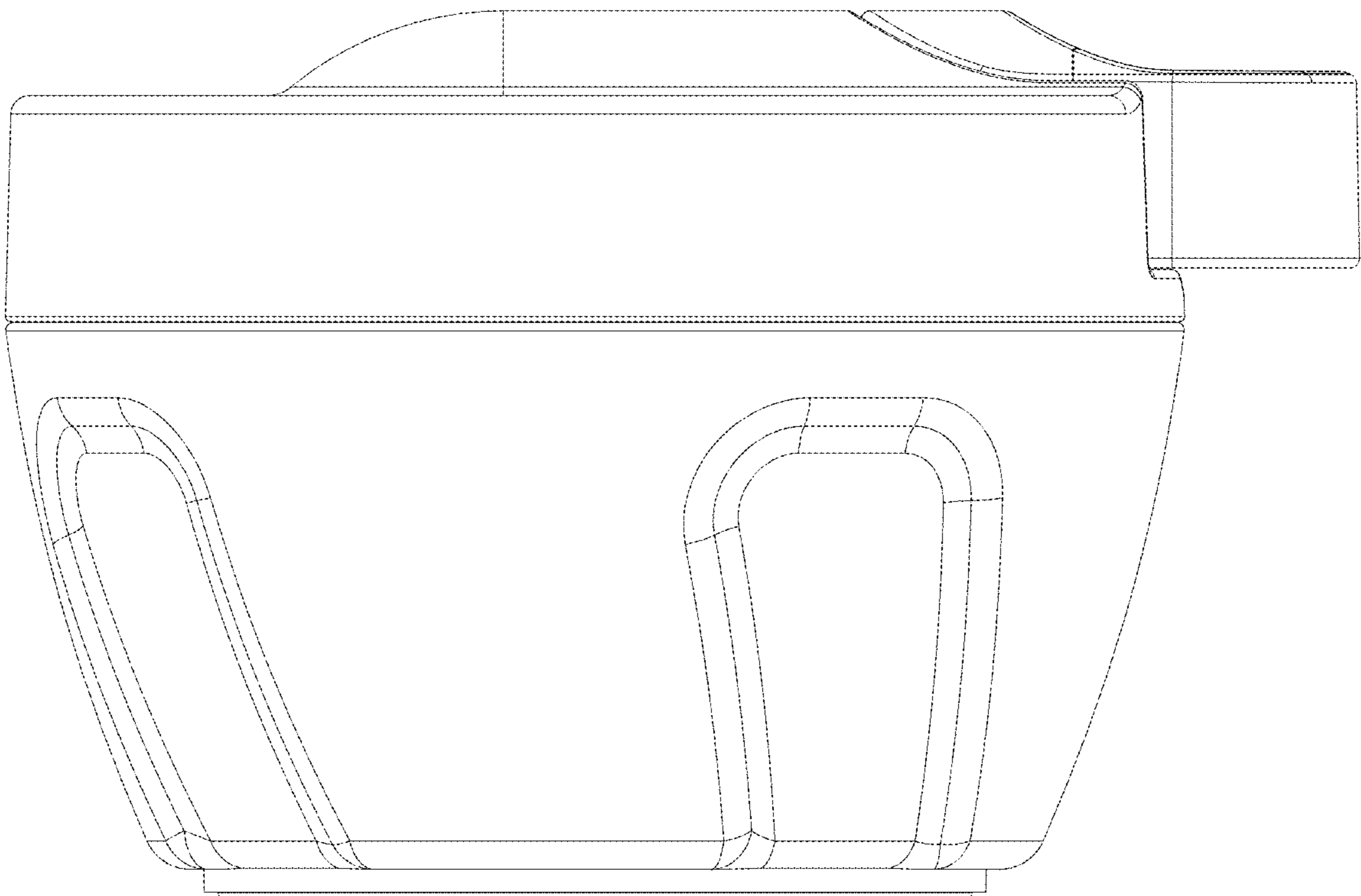


FIG. 3

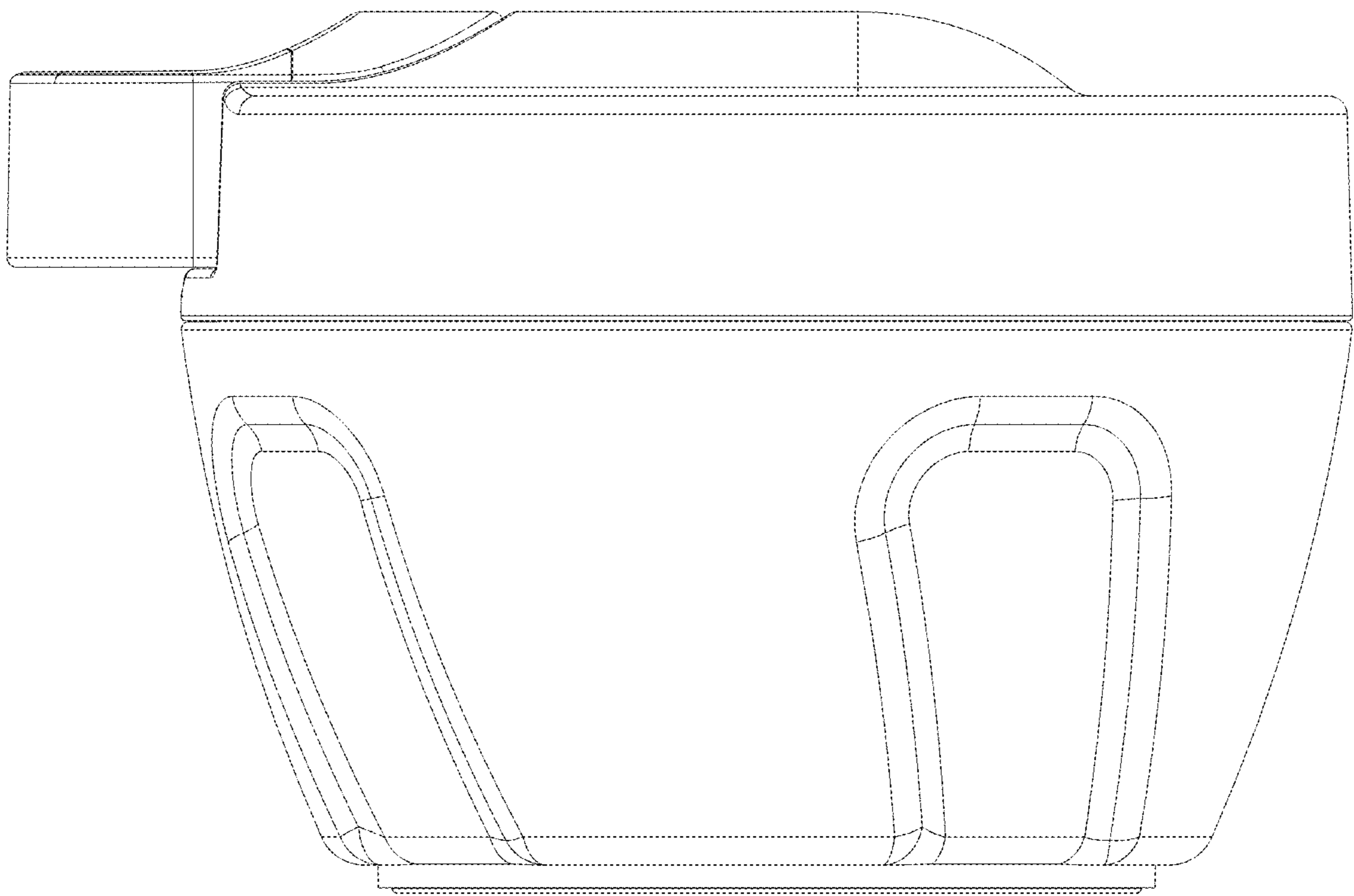


FIG. 4

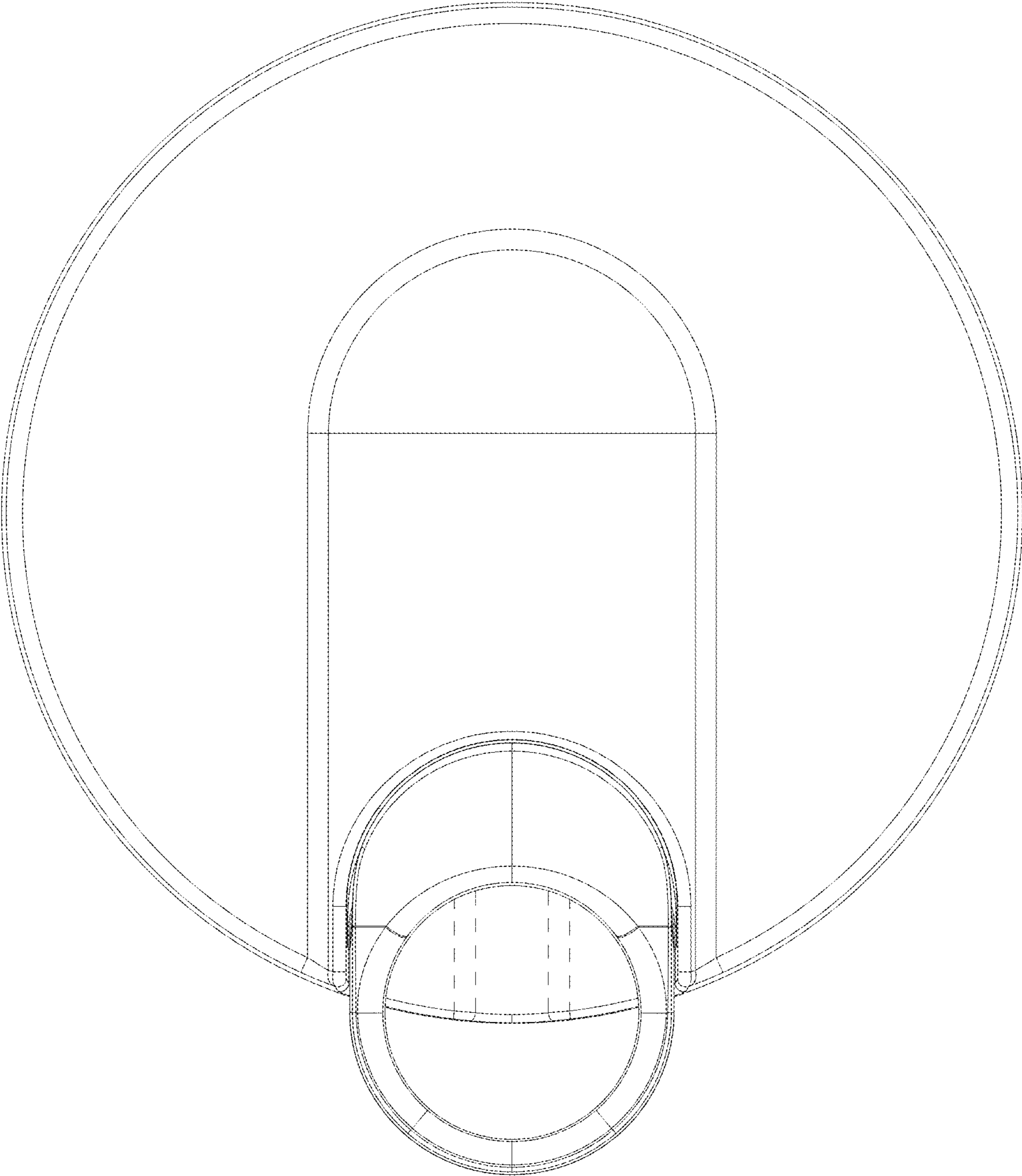


FIG. 5

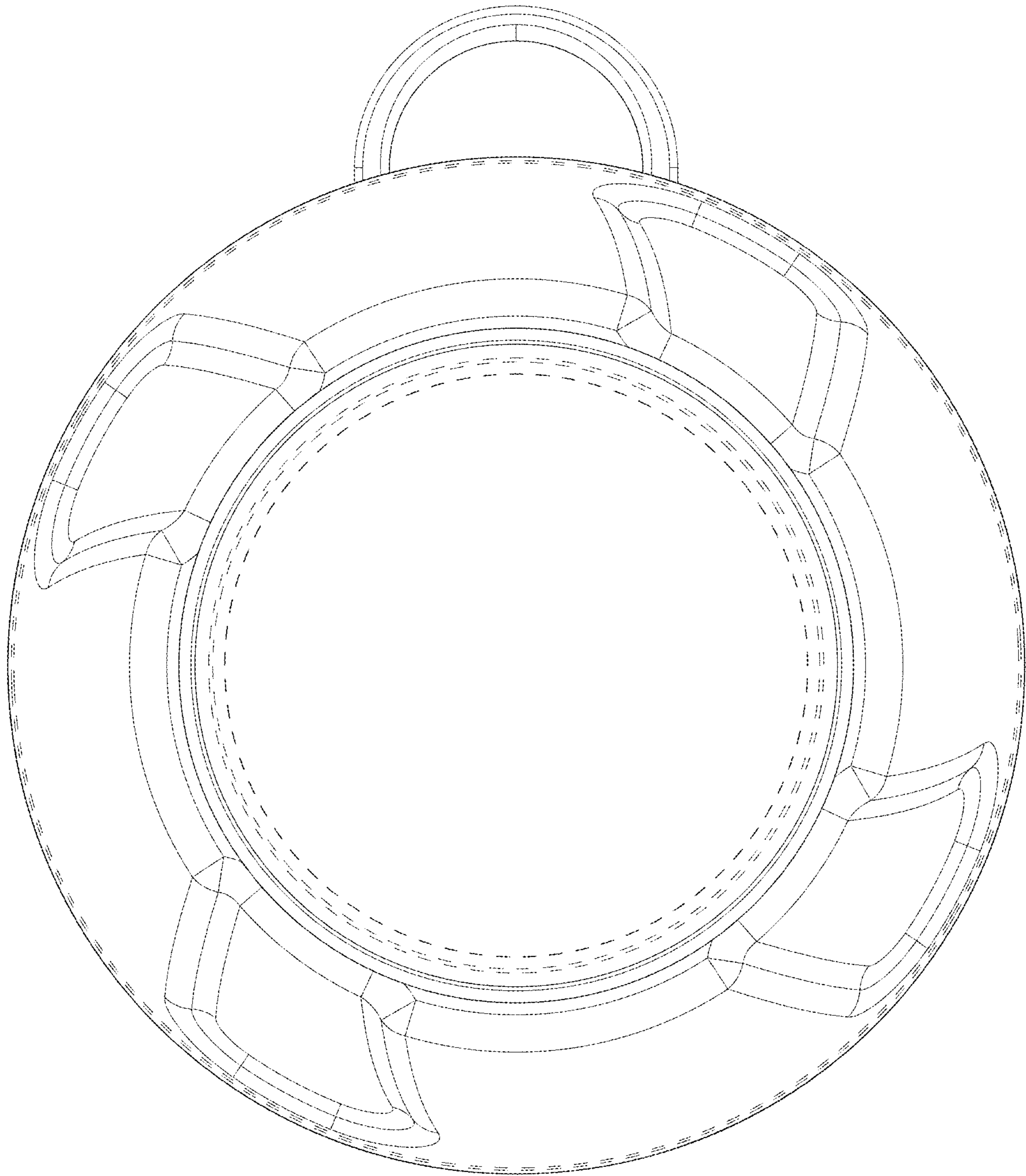


FIG. 6

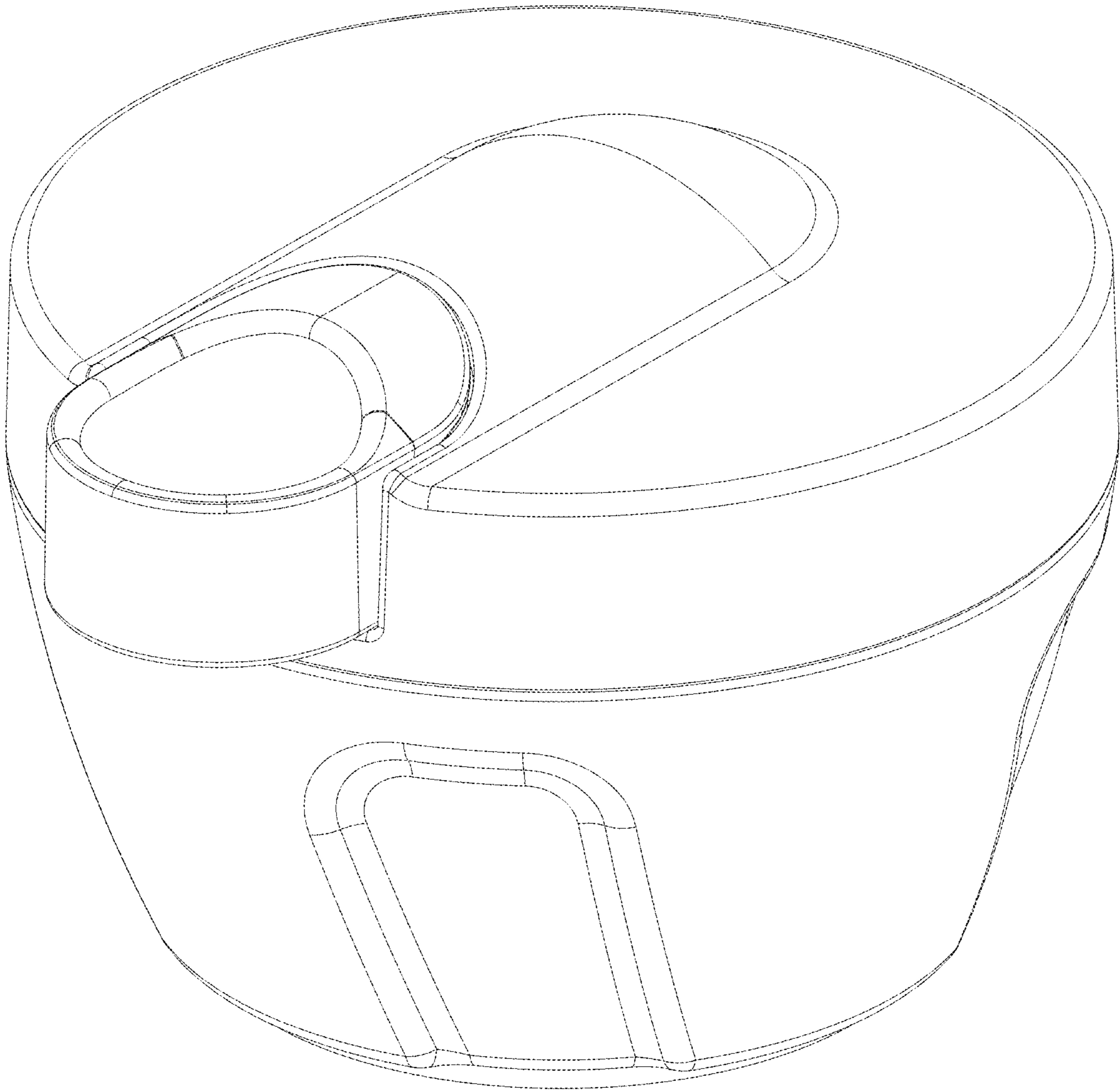


FIG. 7



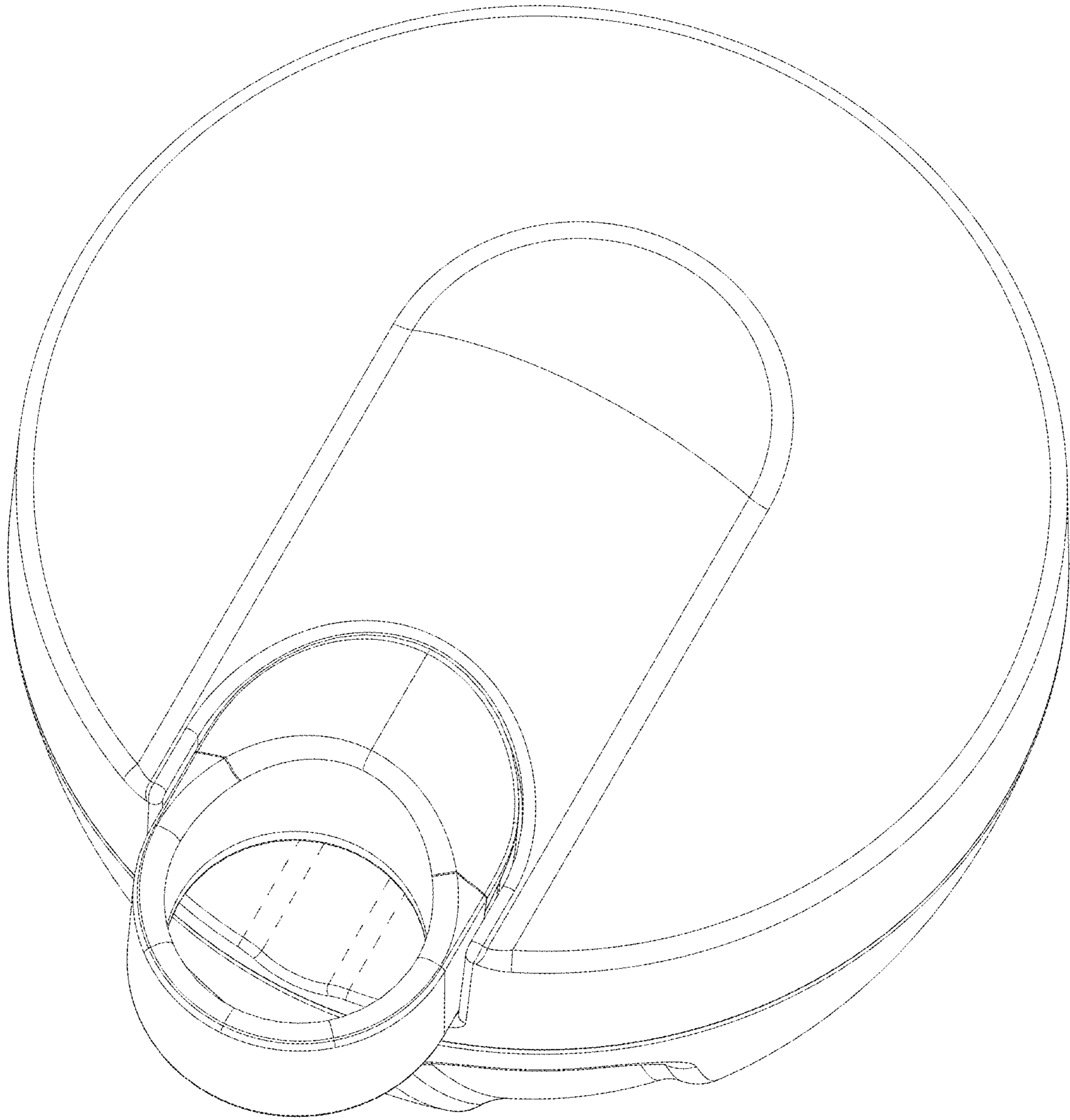


FIG. 8