



US00D942800S

(12) **United States Design Patent** (10) **Patent No.:** **US D942,800 S**  
**Chen** (45) **Date of Patent:** **\*\* Feb. 8, 2022**

(54) **MINI FOOD PROCESSOR** 4,332,188 A \* 6/1982 Rhear ..... A47J 37/0623  
99/323.5  
(71) Applicant: **Shuangma Plastic Manufacturing** D301,364 S \* 5/1989 Hunter ..... D22/122  
**Inc., Zhejiang (CN)** D304,262 S \* 10/1989 Mays ..... D3/271.9  
D434,264 S \* 11/2000 Mixides ..... D7/330  
(72) Inventor: **Cuihong Chen, Zhejiang (CN)** D450,219 S \* 11/2001 Smith ..... D7/538  
D521,796 S \* 5/2006 Bertulis ..... D7/325  
(\*\*) Term: **15 Years** D565,145 S \* 3/2008 Studer ..... D22/122  
D598,226 S \* 8/2009 Byers ..... D6/552  
(21) Appl. No.: **29/752,476** D733,498 S \* 7/2015 Matharu ..... D7/510  
D789,481 S \* 6/2017 Rubel ..... D22/122  
(22) Filed: **Sep. 28, 2020** 9,795,158 B2 \* 10/2017 Carlson ..... A23L 7/187

(30) **Foreign Application Priority Data**  
May 9, 2020 (CN) ..... 202030208101.4  
(51) **LOC (13) Cl.** ..... **31-00**  
(52) **U.S. Cl.**  
USPC ..... **D7/384; D7/376; D7/378**  
(58) **Field of Classification Search**  
USPC ..... D3/271.9; D6/552; D7/325, 330, 372,  
D7/376-386, 391, 412-413, 510, 538,  
D7/602, 629, 665-666, 669, 673, 679,  
D7/693-694; D9/428; D22/122  
CPC .. A01K 93/00; A21C 1/02; A21C 1/04; A23L  
7/187; A23N 1/00; A23N 1/02; A47J  
43/04; A47J 43/24; A47J 43/25; A47J  
43/27; A47J 43/042; A47J 43/044; A47J  
43/046; A47J 43/0623; A47J 43/0704;  
A47J 43/075; A47J 43/0722; A47J  
43/0727; B01F 3/00; B01F 3/0807; B01F  
3/0853; B01F 13/0059; B01F 13/0064;  
B02C 1/08; B02C 2/04; B02C 4/42;  
B02C 4/142; B02C 4/143; B02C 4/423;  
B02C 13/1835; B28C 5/10; B28C 5/12;  
B28C 5/14; B28C 5/16  
See application file for complete search history.

(56) **References Cited**  
U.S. PATENT DOCUMENTS  
3,168,790 A \* 2/1965 Creasey ..... A01K 93/00  
43/43.11  
3,330,266 A \* 7/1967 Stephen ..... A47J 37/0704  
126/25 R

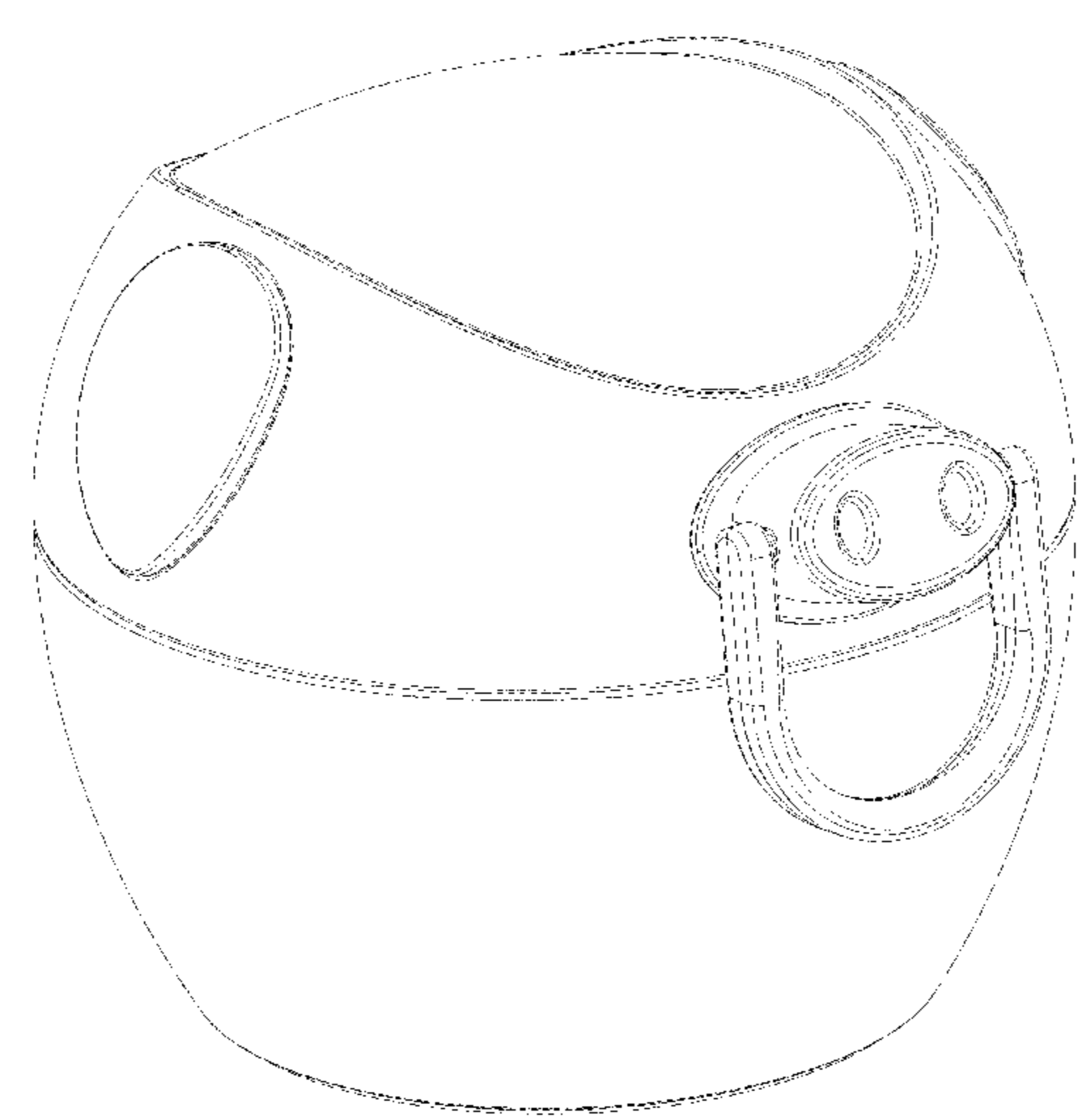
**OTHER PUBLICATIONS**  
Mini Food Chopper Manual, HOPENE Hand Pull Food Processor.  
Date First Available on Amazon.com Jun. 4, 2021 <https://www.amazon.com/dp/B096MG5MFM/ref> (Year: 2021).\*

\* cited by examiner  
*Primary Examiner* — Ricky Pham  
(74) *Attorney, Agent, or Firm* — Prakash Nama; Global IP Services, PLLC

(57) **CLAIM**  
The ornamental design for a mini food processor, as shown and described.

**DESCRIPTION**  
FIG. 1 is a front elevational view of a mini food processor showing my new design;  
FIG. 2 is a rear elevational view thereof;  
FIG. 3 is a left side view thereof;  
FIG. 4 is a right side view thereof;  
FIG. 5 is a top plan view thereof;  
FIG. 6 is a bottom plan view thereof; and,  
FIG. 7 is a perspective view thereof.  
The broken lines shown in mini food processor form no part of the claimed design.

**1 Claim, 7 Drawing Sheets**



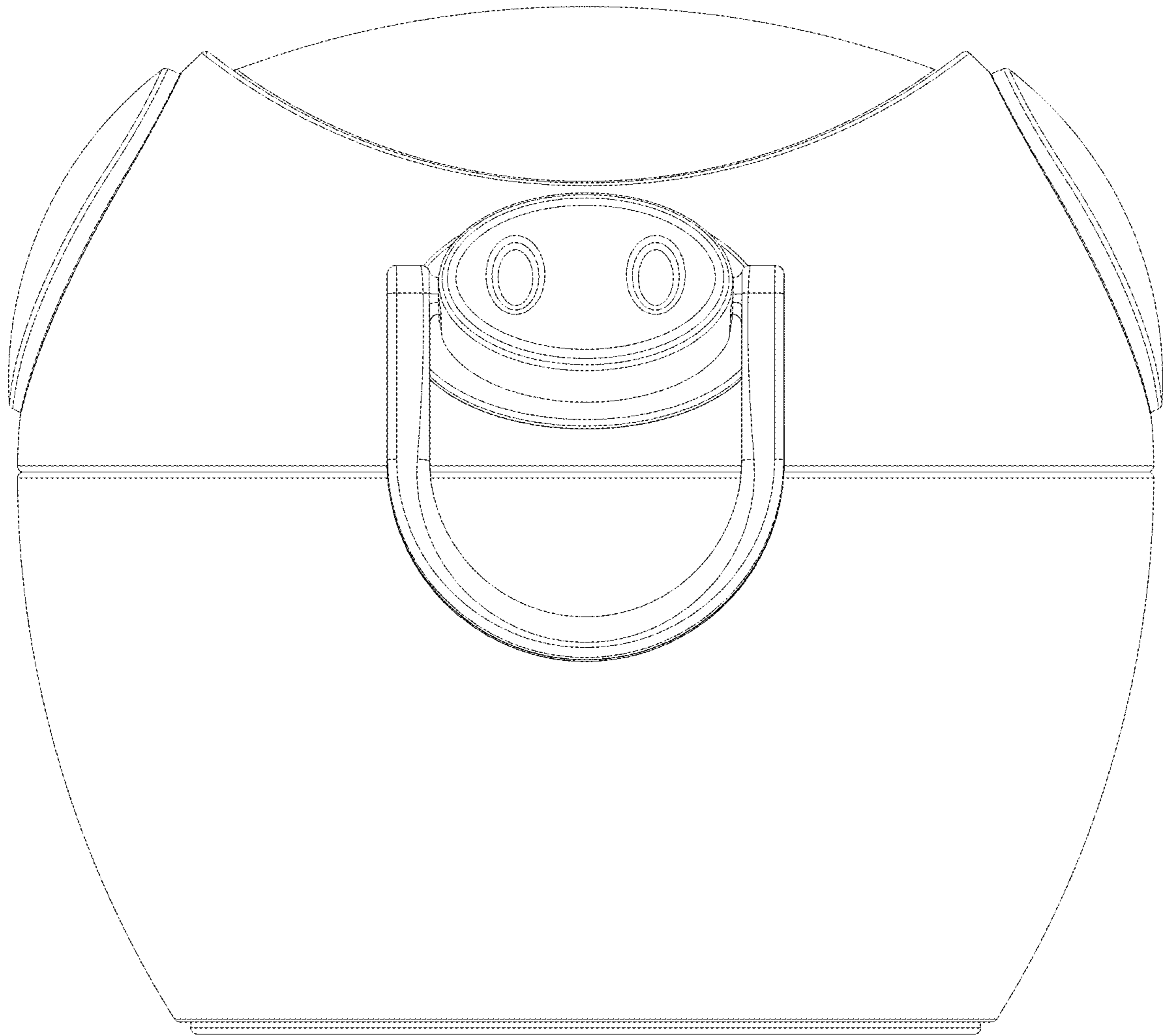


FIG. 1

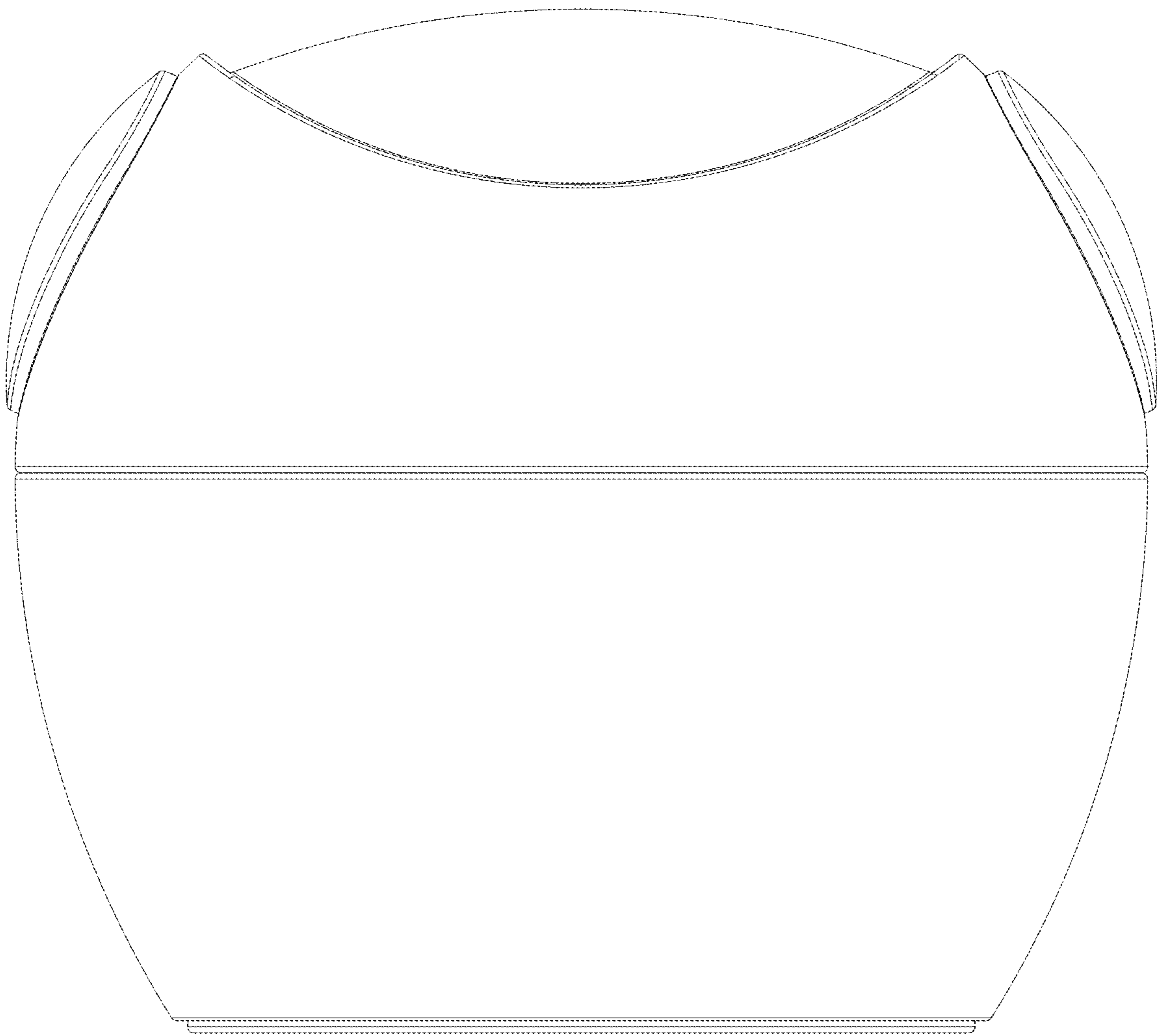


FIG. 2

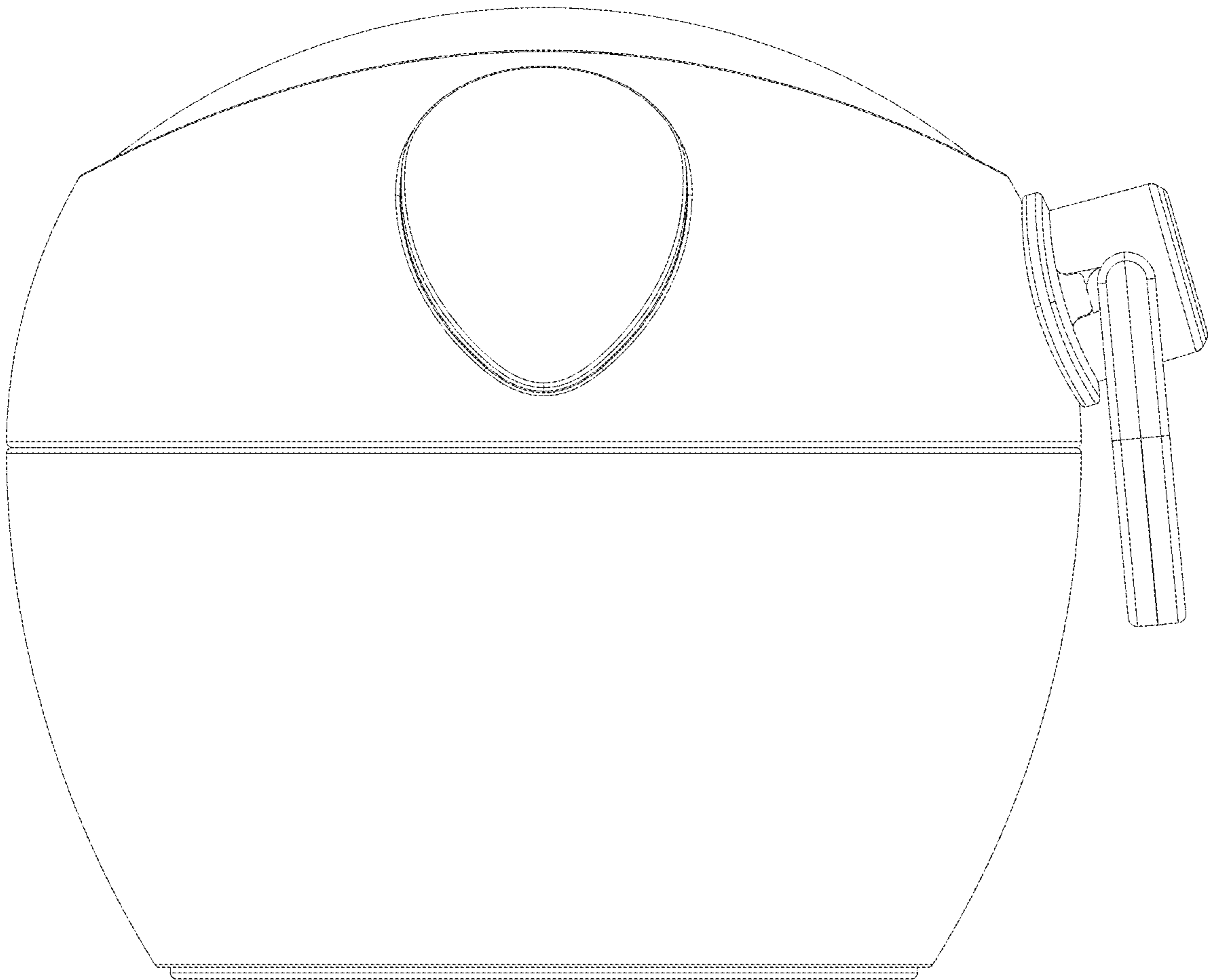


FIG. 3

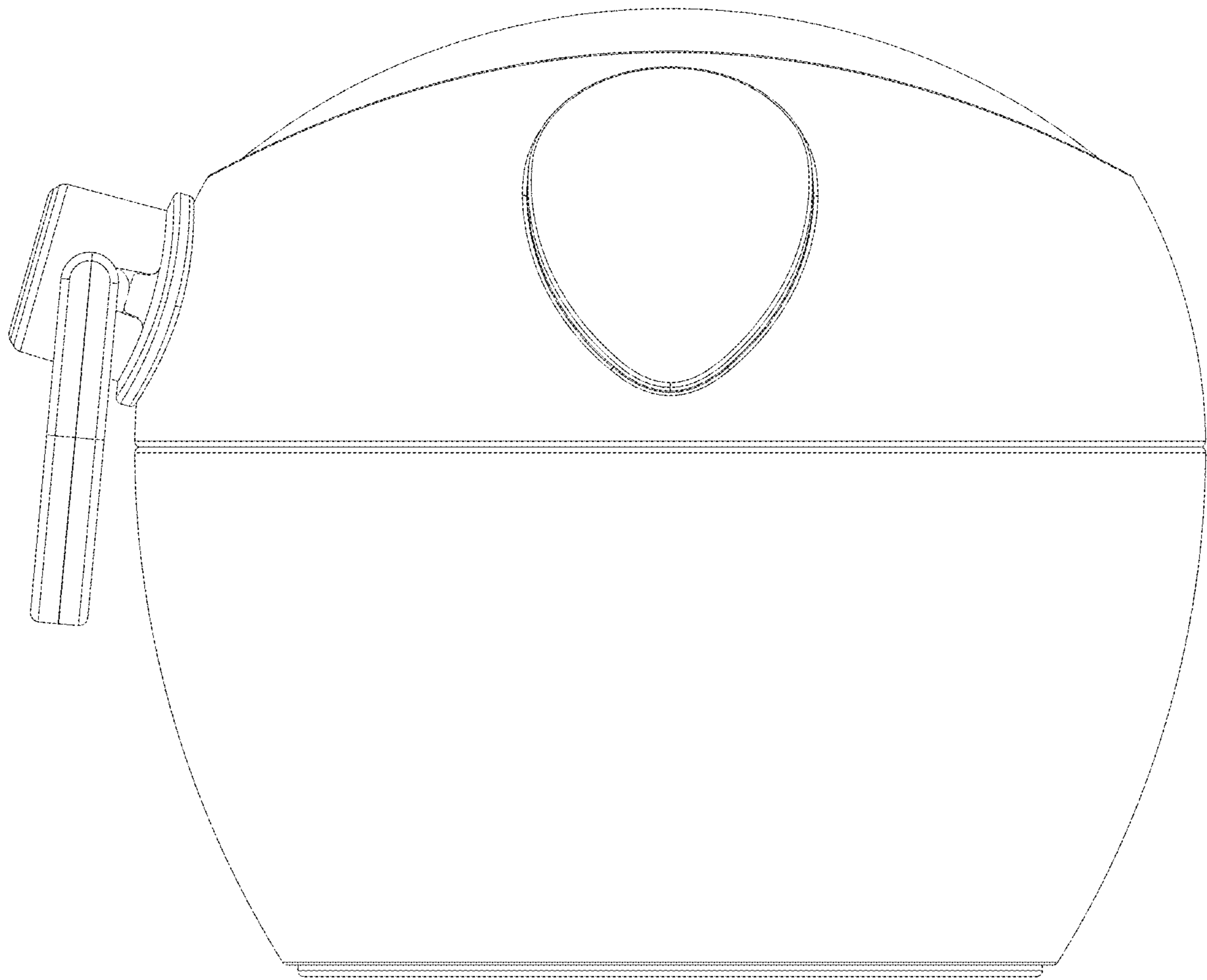


FIG. 4

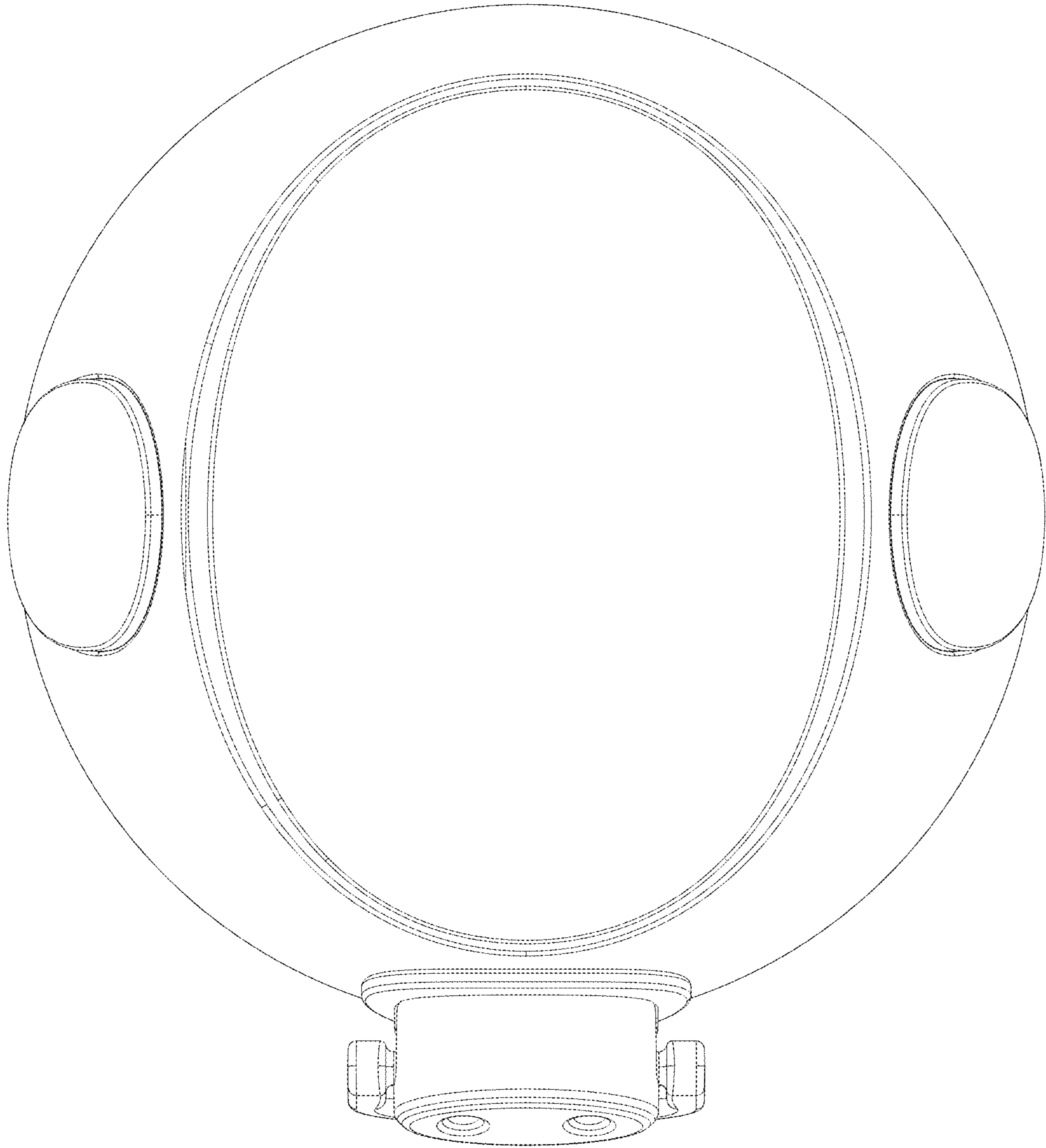


FIG. 5



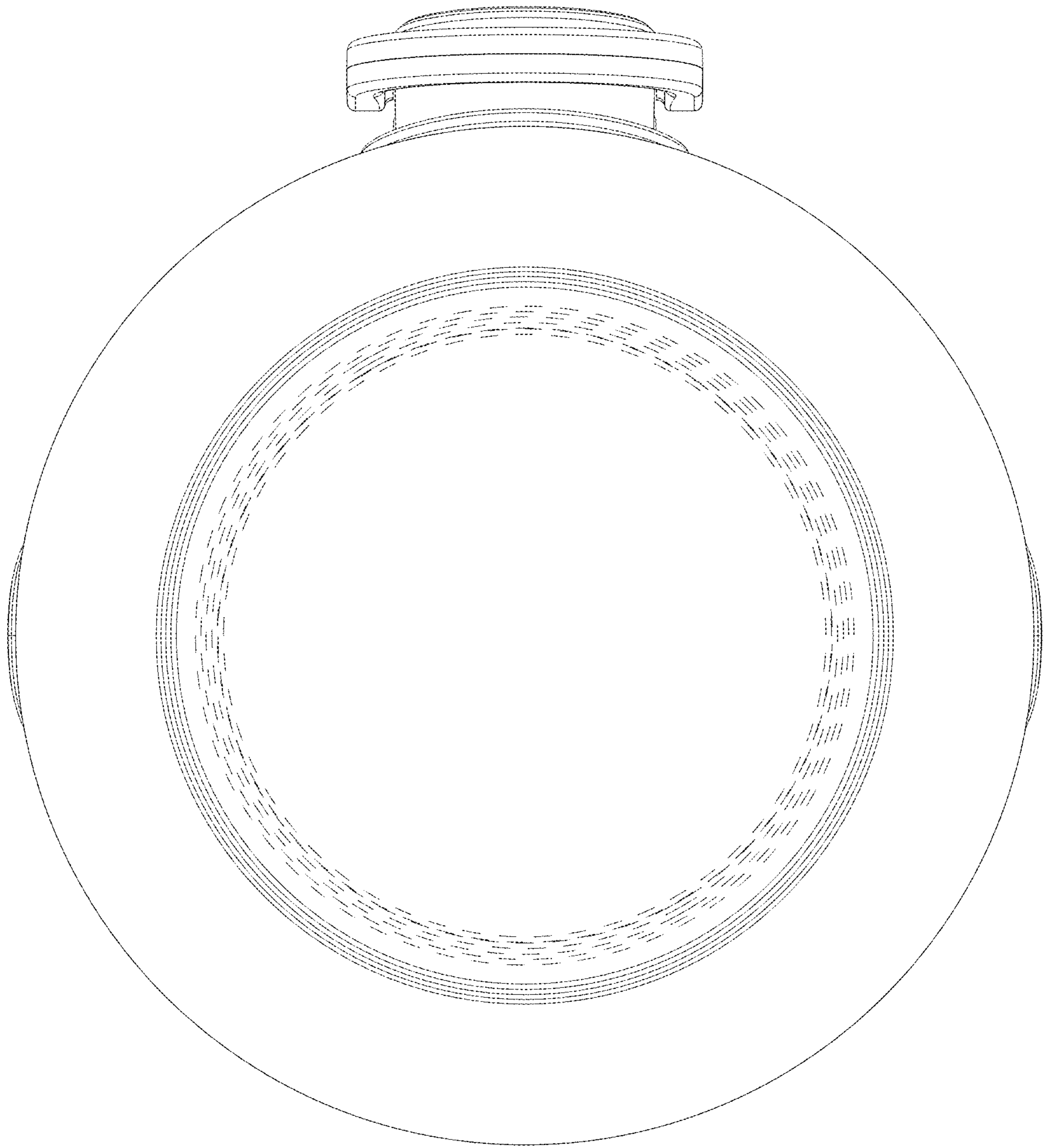


FIG. 6

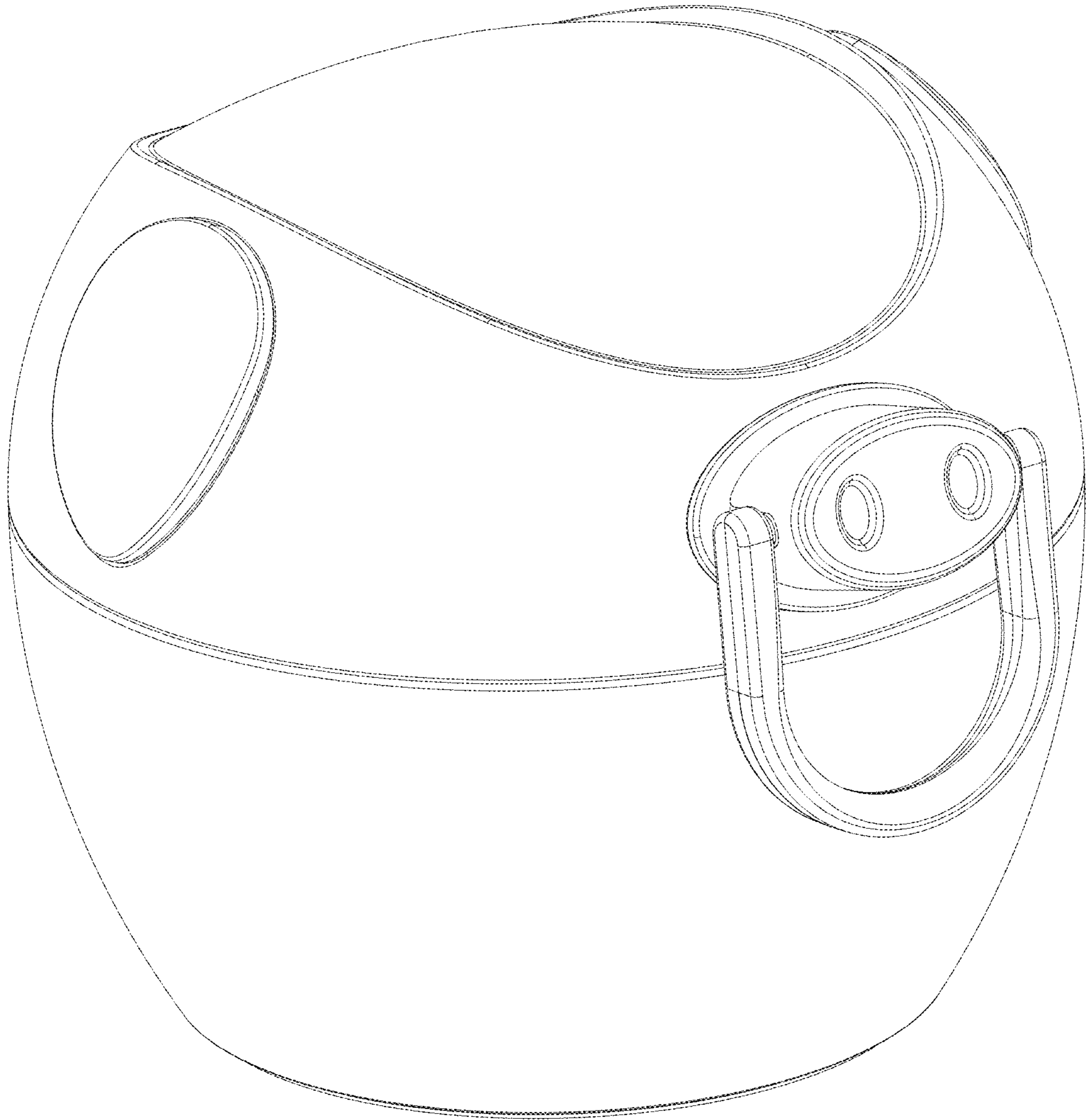


FIG. 7