



US00D942797S

(12) **United States Design Patent** (10) **Patent No.:** **US D942,797 S**  
**Chen** (45) **Date of Patent:** **\*\* Feb. 8, 2022**

(54) **GRILL AND HOT POT**  
(71) Applicant: **TIM MEI TRADE & INVESTMENT LIMITED**, Kowloon (HK)

D590,205 S \* 4/2009 Tetreault ..... D7/360  
D640,086 S \* 6/2011 Day ..... D7/357  
D641,202 S \* 7/2011 Bock ..... D7/357  
D667,680 S \* 9/2012 Bock ..... D7/354  
2005/0145615 A1 \* 7/2005 Schaffeld ..... A47J 36/10  
219/440

(72) Inventor: **Ce Chen**, Kowloon (HK)  
(73) Assignee: **TIM MEI TRADE & INVESTMENT LIMITED**, Kowloon (HK)

(\*\*) Term: **15 Years**

(21) Appl. No.: **29/769,170**

(22) Filed: **Feb. 3, 2021**

(51) **LOC (13) Cl.** ..... **07-02**

(52) **U.S. Cl.**  
USPC ..... **D7/360; D7/354**

(58) **Field of Classification Search**  
USPC ..... D7/323, 354-361  
CPC .. A47J 27/00; A47J 27/04; A47J 27/05; A47J  
27/08; A47J 27/09; A47J 27/092; A47J  
36/025; A47J 36/06; A47J 36/08; A47J  
36/10; A47J 36/12; A47J 37/12; A47J  
37/1204; A47J 37/1209; H05B 6/02;  
H05B 6/06; H05B 6/12

See application file for complete search history.

(56) **References Cited**

**U.S. PATENT DOCUMENTS**

D268,471 S \* 4/1983 Gremontprez ..... D7/352  
D409,042 S 5/1999 Cossy  
D425,360 S \* 5/2000 Dobson ..... D7/360  
D453,091 S 1/2002 Gouthiere  
D520,806 S \* 5/2006 Ryan ..... D7/354  
D545,614 S \* 7/2007 Kim ..... D7/357  
D590,204 S \* 4/2009 Tetreault ..... D7/354

**OTHER PUBLICATIONS**

Food Party 2 in 1 Electric Smokeless Grill and Hot Pot. Date First Available on Amazon.com Jul. 20, 2019. <https://www.amazon.com/Food-Party-Electric-Smokeless-Grill/dp/B07VBSX6XN/ref> (Year: 2019).\*

\* cited by examiner

*Primary Examiner* — Ricky Pham

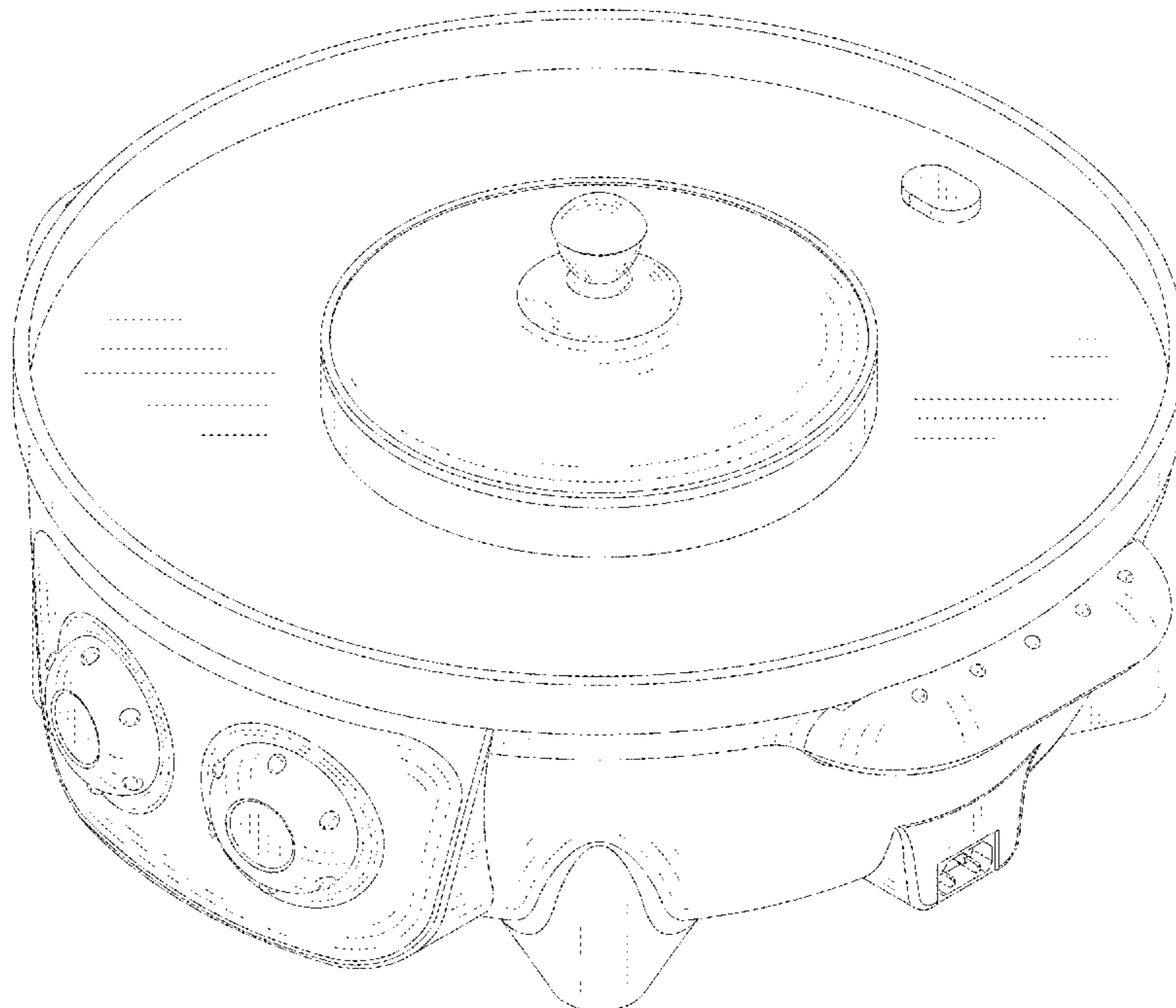
(57) **CLAIM**

The ornamental design for a grill and hot pot, as shown and described.

**DESCRIPTION**

FIG. 1 is a perspective view of a grill and hot pot showing my/our new design;  
FIG. 2 is an alternative perspective view thereof;  
FIG. 3 is a front view thereof;  
FIG. 4 is a back view thereof;  
FIG. 5 is a left side view thereof;  
FIG. 6 is a right side view thereof;  
FIG. 7 is a top view thereof; and,  
FIG. 8 is a bottom view thereof.

**1 Claim, 8 Drawing Sheets**



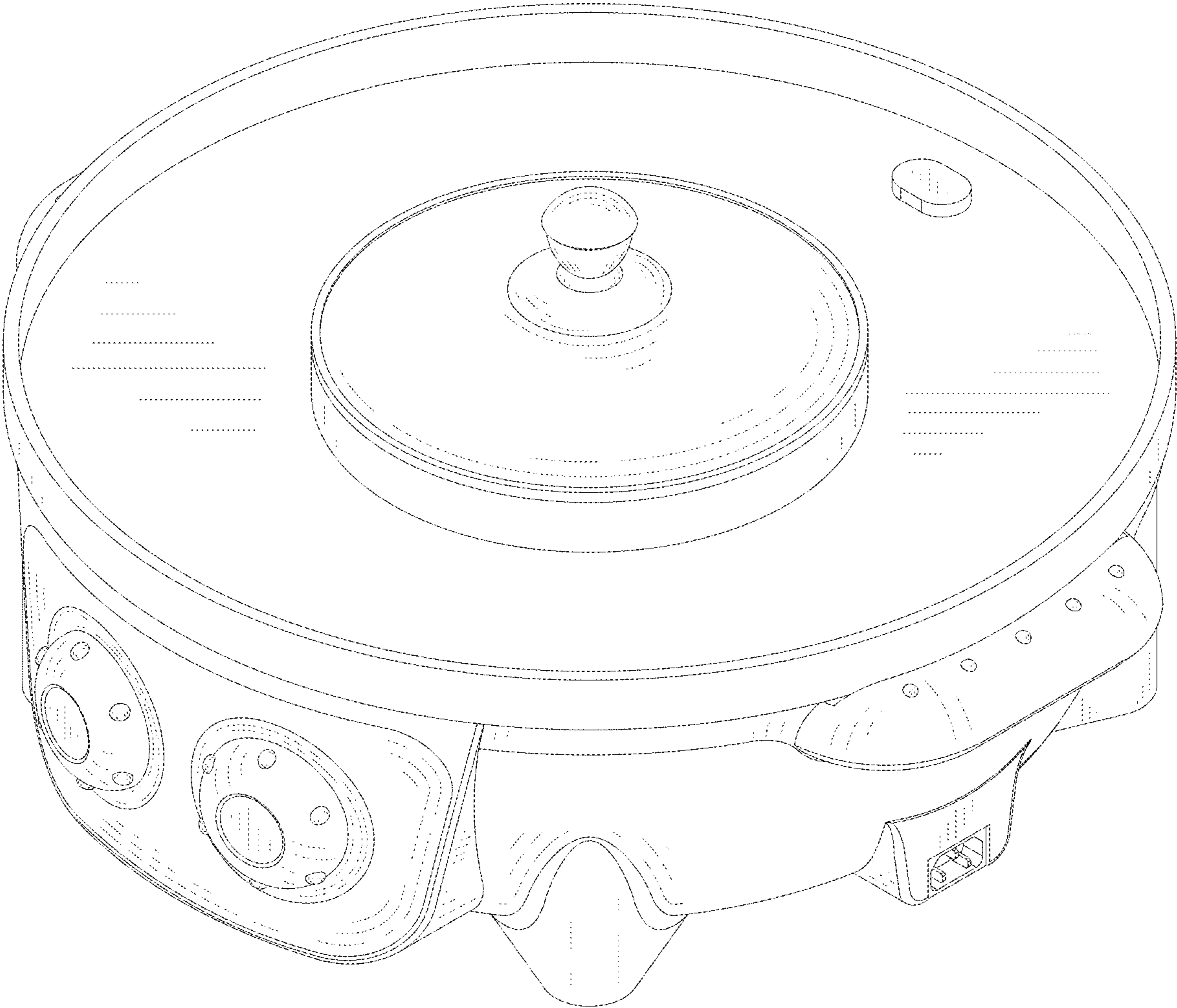


FIG.1

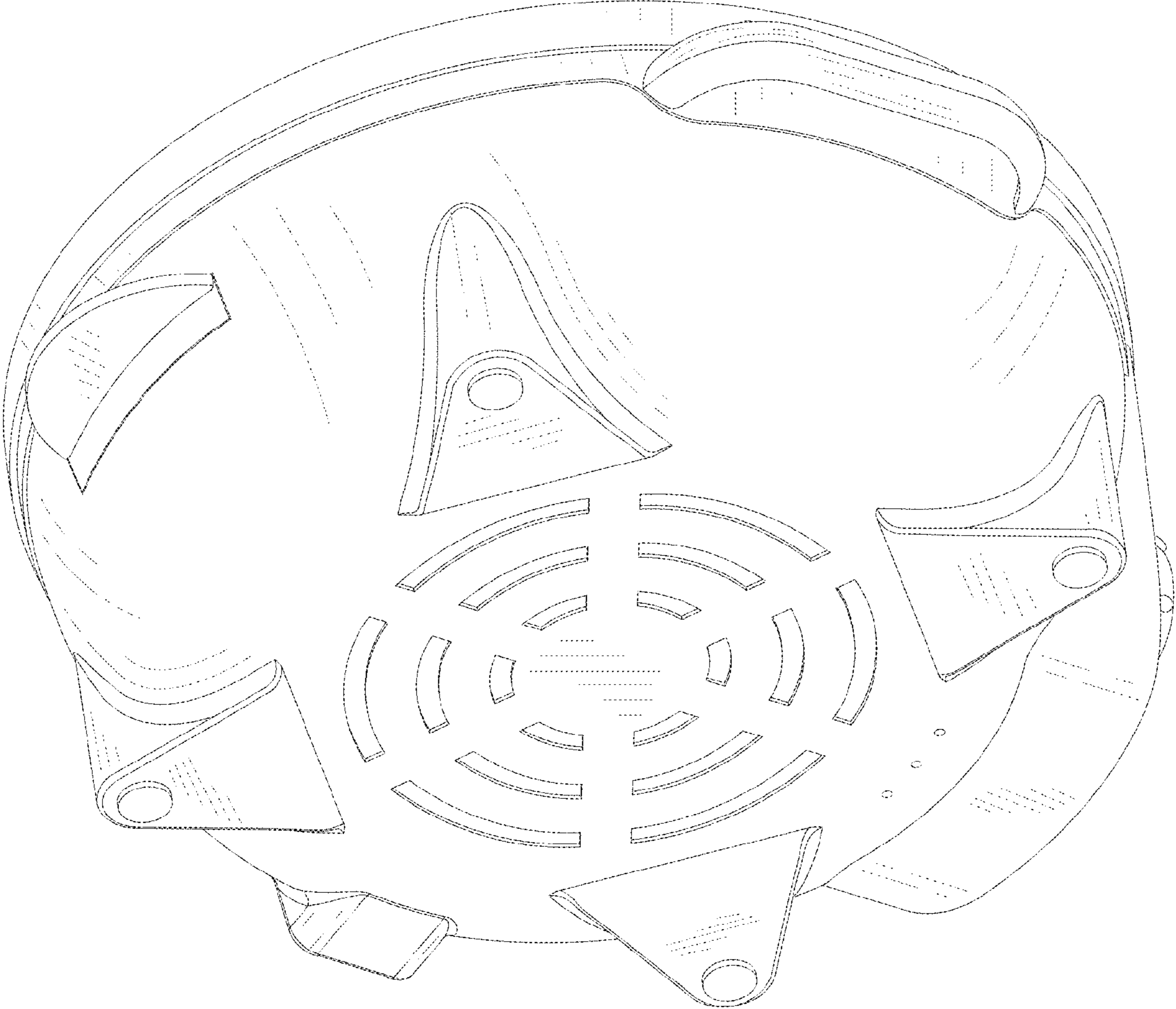


FIG.2

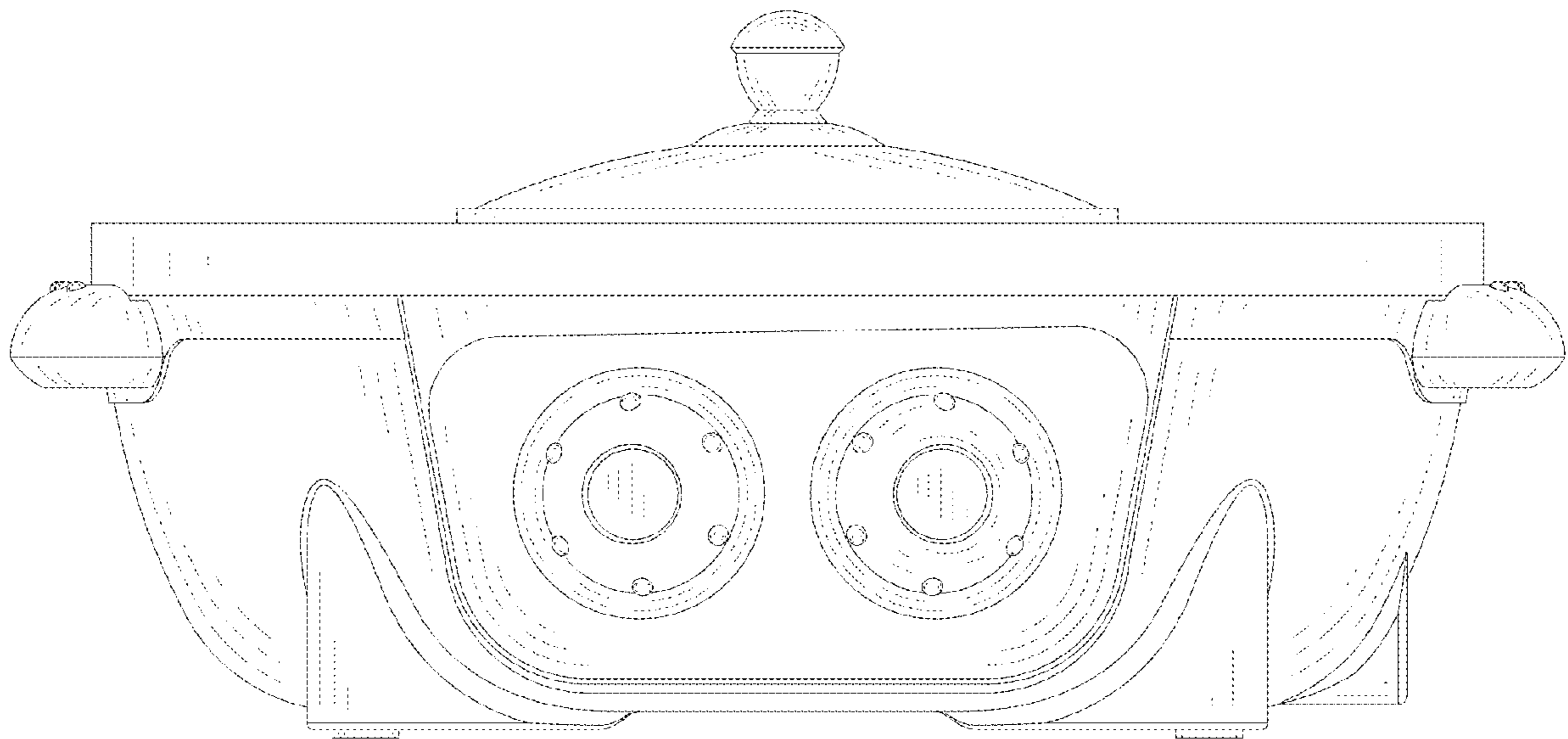


FIG.3

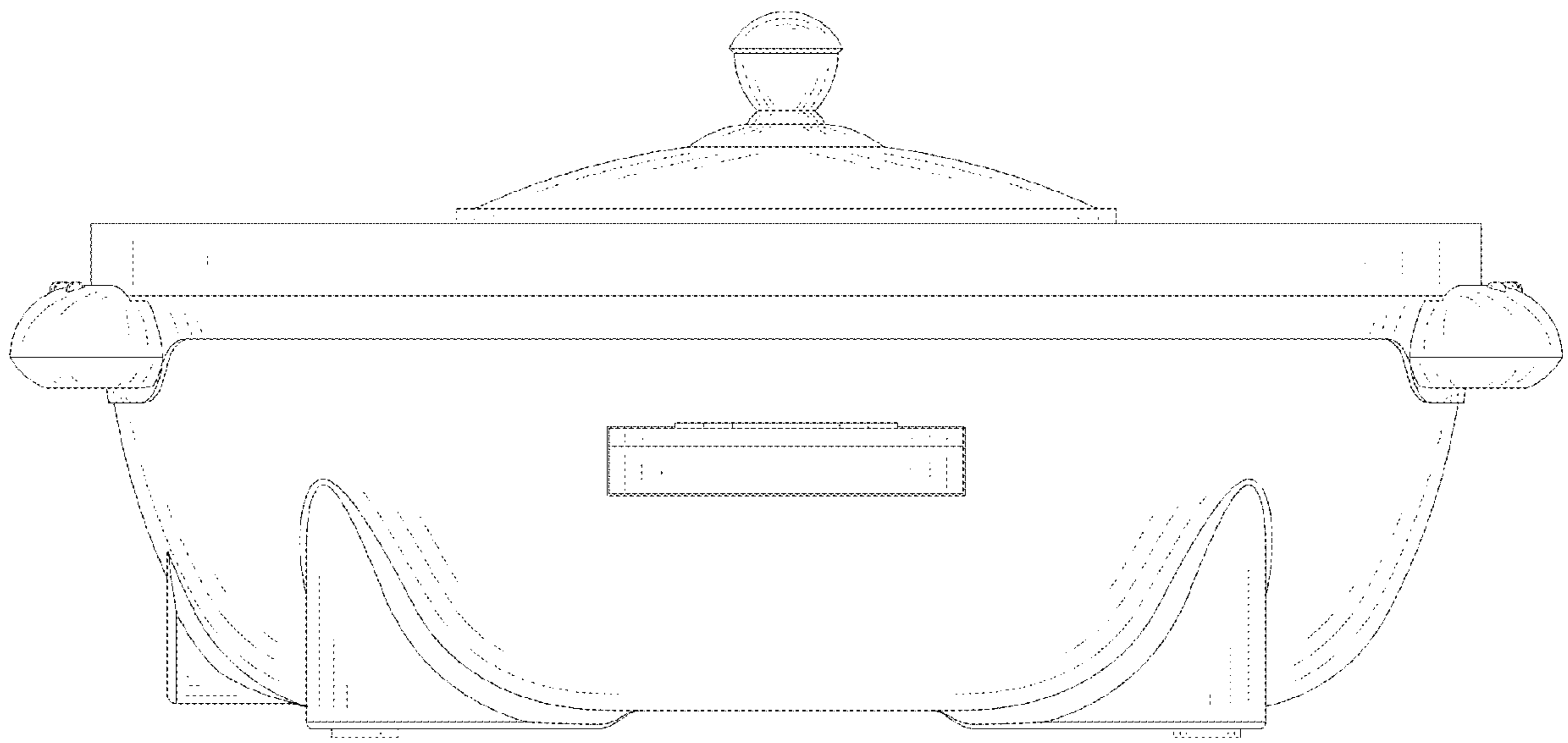


FIG. 4

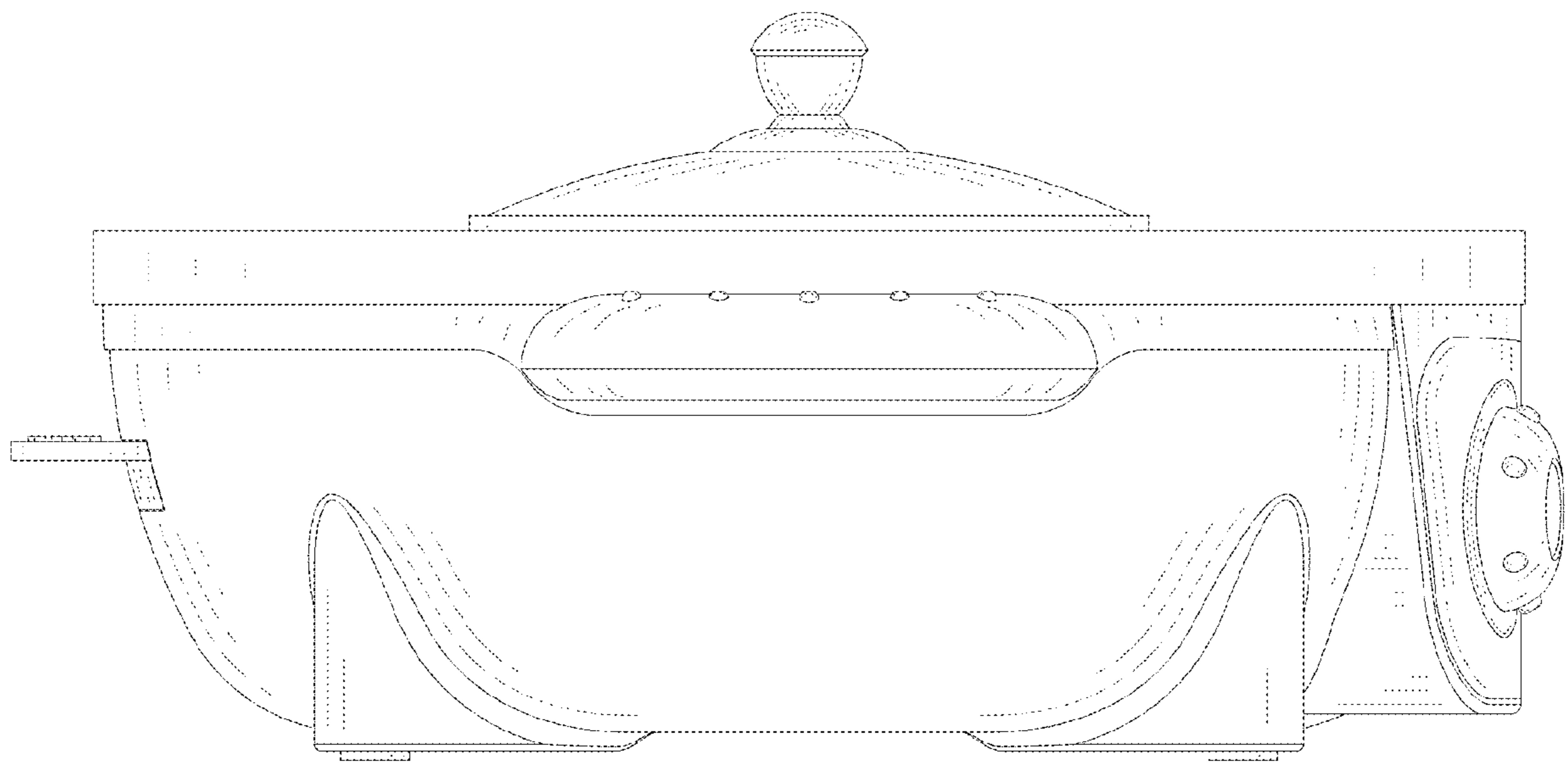


FIG. 5

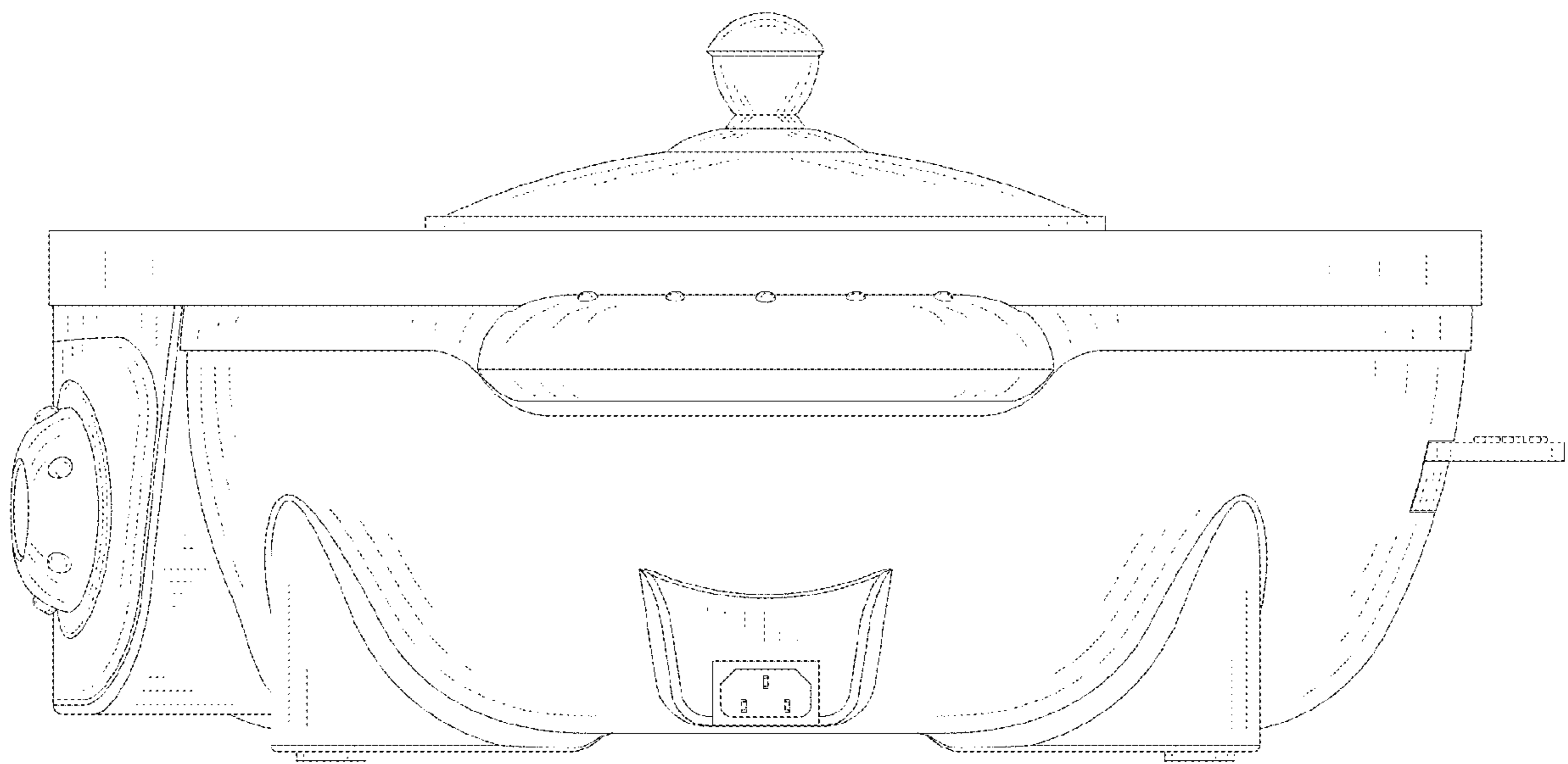


FIG.6

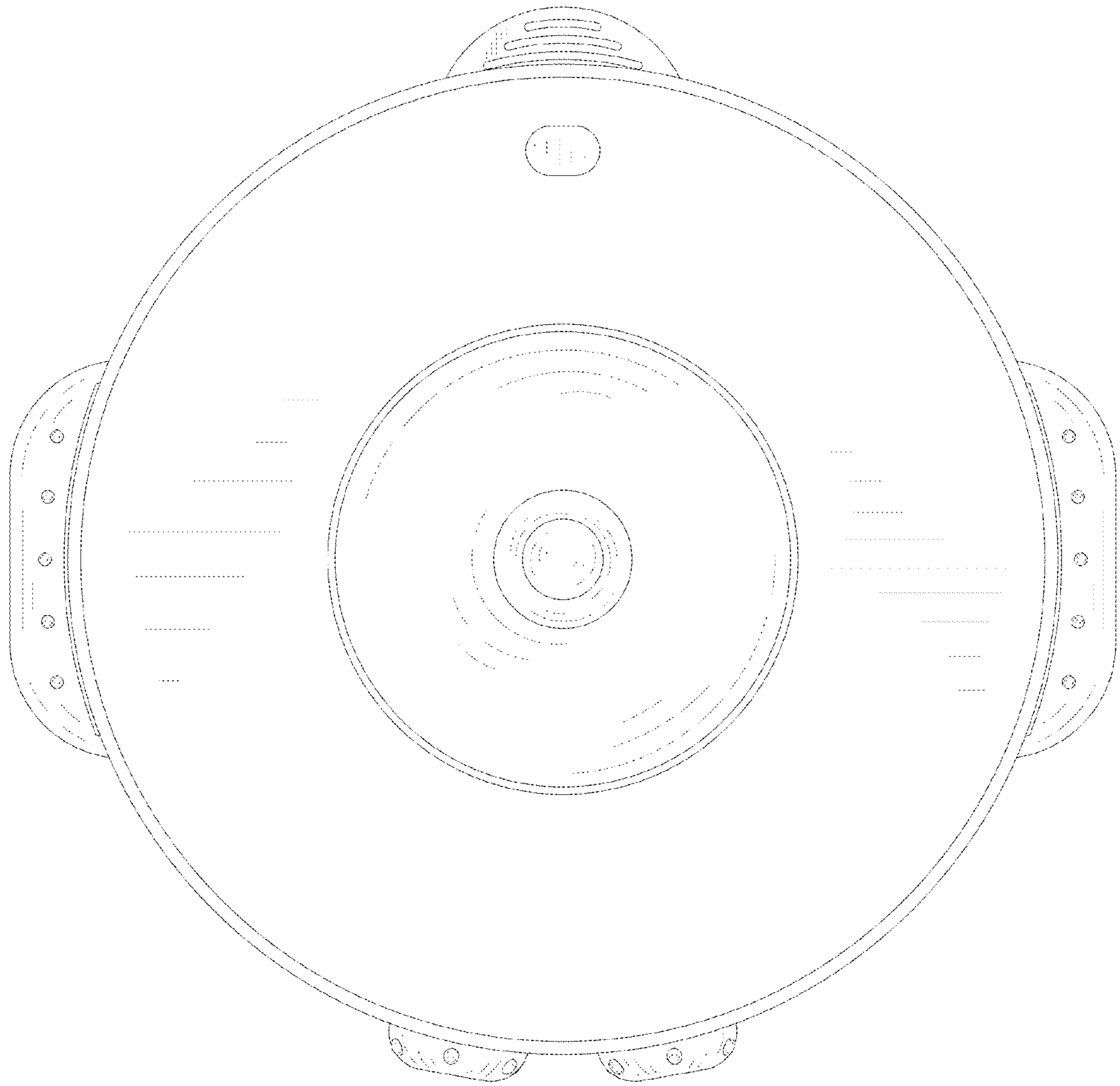


FIG. 7



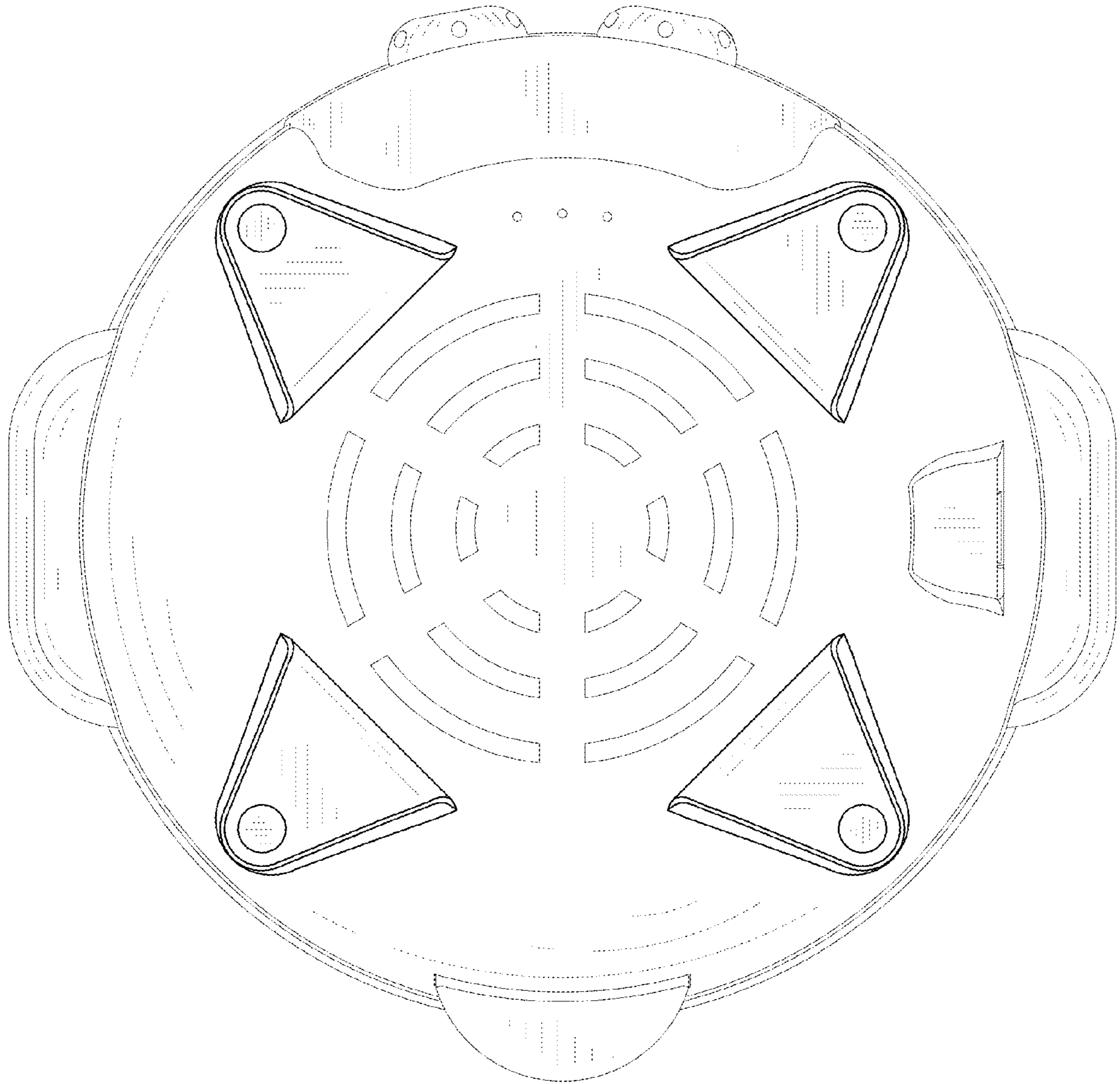


FIG. 8