



US00D942796S

(12) **United States Design Patent**
Jiang et al.

(10) **Patent No.:** **US D942,796 S**
(45) **Date of Patent:** **** Feb. 8, 2022**

(54) **STOVE**

(71) Applicant: **SHENZHEN BAILU OUTDOOR PRODUCTS CO., LTD**, Shenzhen (CN)

(72) Inventors: **Xincheng Jiang**, Shenzhen (CN); **Meng Yu**, Shenzhen (CN)

(73) Assignee: **SHENZHEN BAILU OUTDOOR PRODUCTS CO., LTD**, Shenzhen (CN)

(**) Term: **15 Years**

(21) Appl. No.: **29/778,770**

(22) Filed: **Apr. 14, 2021**

(51) **LOC (13) Cl.** **07-02**

(52) **U.S. Cl.**
USPC **D7/339**

(58) **Field of Classification Search**
USPC D7/323, 328–334, 339–349, 390, D7/402–406; D8/300–306
CPC ... A21B 2/00; A47J 37/00; A47J 37/06; A47J 37/0611; A47J 37/0754; A47J 37/08; A47J 37/0807; A47J 37/0814; A47J 37/0835; A47J 37/0842; A47J 37/085; A47J 37/0864; A47J 37/0878; A47J 37/0885; A47J 37/0892; F24B 1/202; F24B 1/205; F24C 7/00; F24C 7/002; F24C 7/046; F24C 7/067; F24C 15/02; F24C 15/04; F24C 15/10; F24C 15/102

See application file for complete search history.

(56) **References Cited**

U.S. PATENT DOCUMENTS

| | | | | | | |
|--------------|------|---------|------------|-------|--------------|----------|
| 1,955,147 | A * | 4/1934 | Remington | | F24B 1/205 | 126/9 R |
| 2,129,371 | A * | 9/1938 | Robinson | | F24B 1/202 | 126/9 R |
| 4,069,806 | A * | 1/1978 | Landry | | F24B 1/205 | 126/301 |
| 4,911,140 | A * | 3/1990 | Robinson | | F24B 1/205 | 126/59 |
| 5,947,105 | A * | 9/1999 | Scott | | F24B 1/202 | 126/9 R |
| D521,798 | S | 5/2006 | Wright | | | |
| D674,234 | S * | 1/2013 | Todd | | D7/334 | |
| 8,490,614 | B1 * | 7/2013 | Gregory | | A47J 37/0754 | 126/41 R |
| D769,667 | S | 10/2016 | Ting | | | |
| D871,822 | S * | 1/2020 | Hussain | | D7/334 | |
| 2005/0217659 | A1 * | 10/2005 | McClenahan | | F24B 1/202 | 126/25 R |

* cited by examiner

Primary Examiner — Ricky Pham

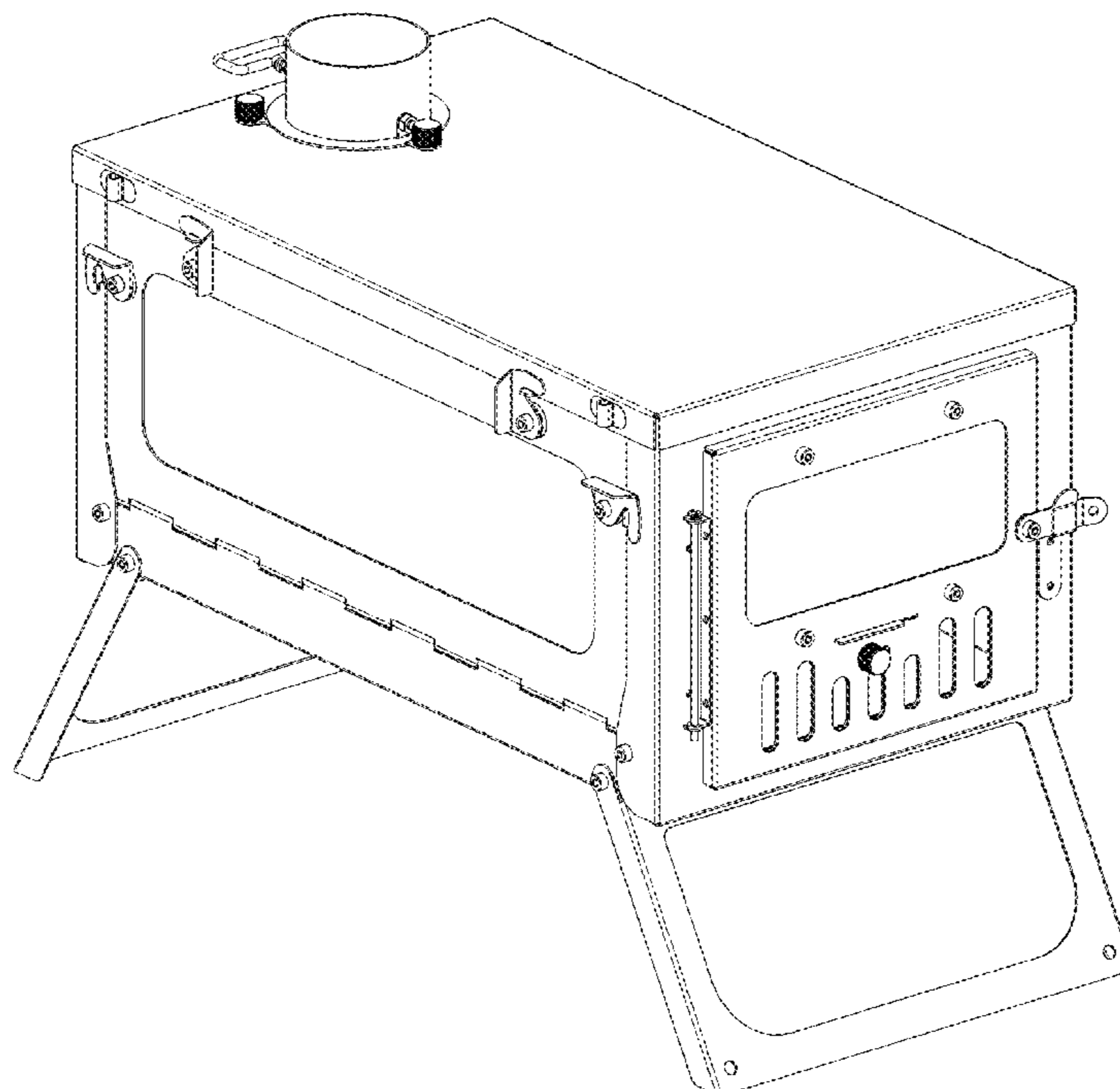
(57) **CLAIM**

The ornamental design for a stove, as shown and described.

DESCRIPTION

FIG. 1 is a perspective view of a stove showing our new design;
FIG. 2 is a right side elevational view thereof;
FIG. 3 is a left side elevational view thereof;
FIG. 4 is a front elevational view thereof;
FIG. 5 is a rear elevational view thereof;
FIG. 6 is a top plan view thereof; and,
FIG. 7 is a bottom plan view thereof.

1 Claim, 7 Drawing Sheets



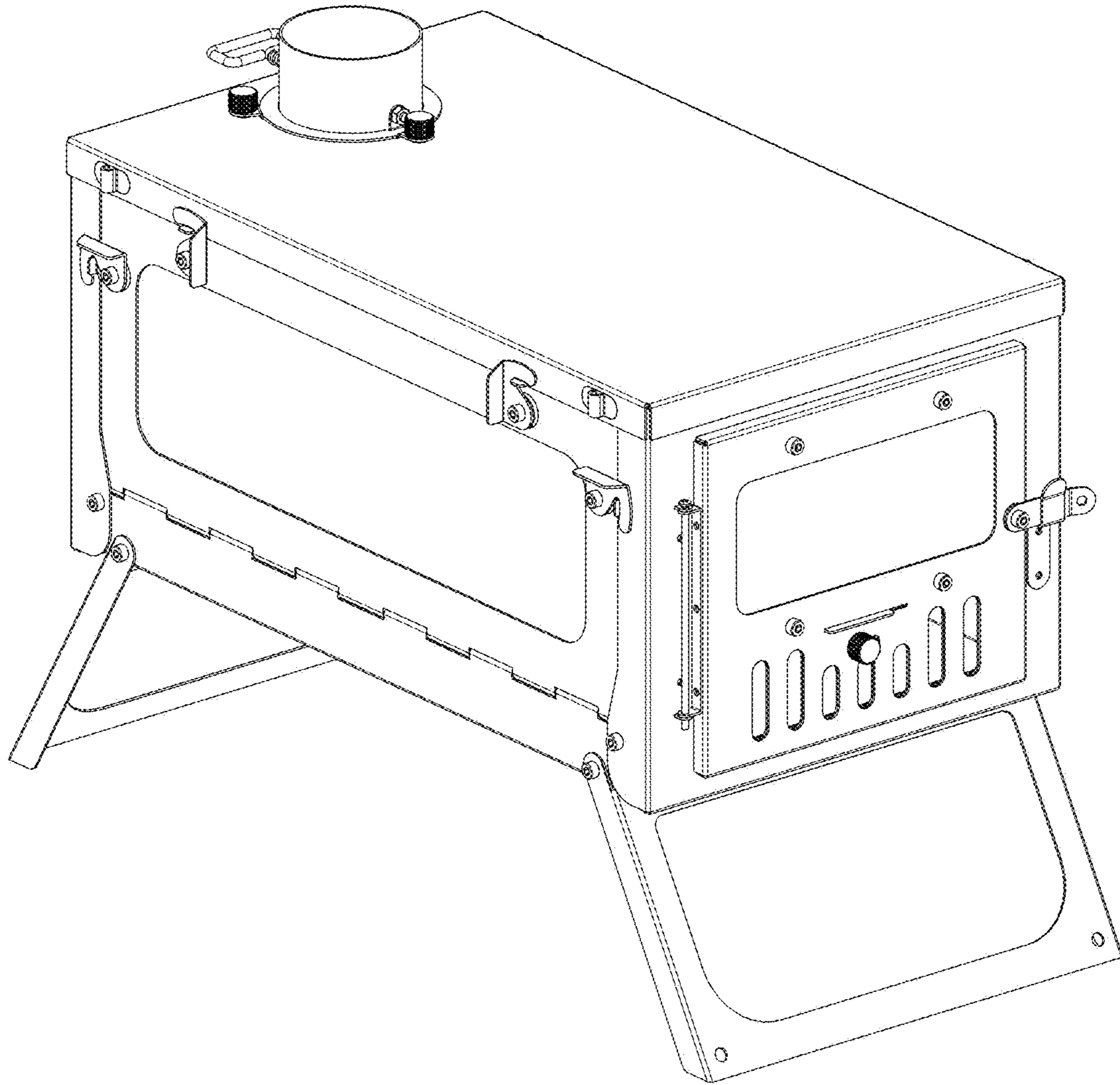


FIG. 1

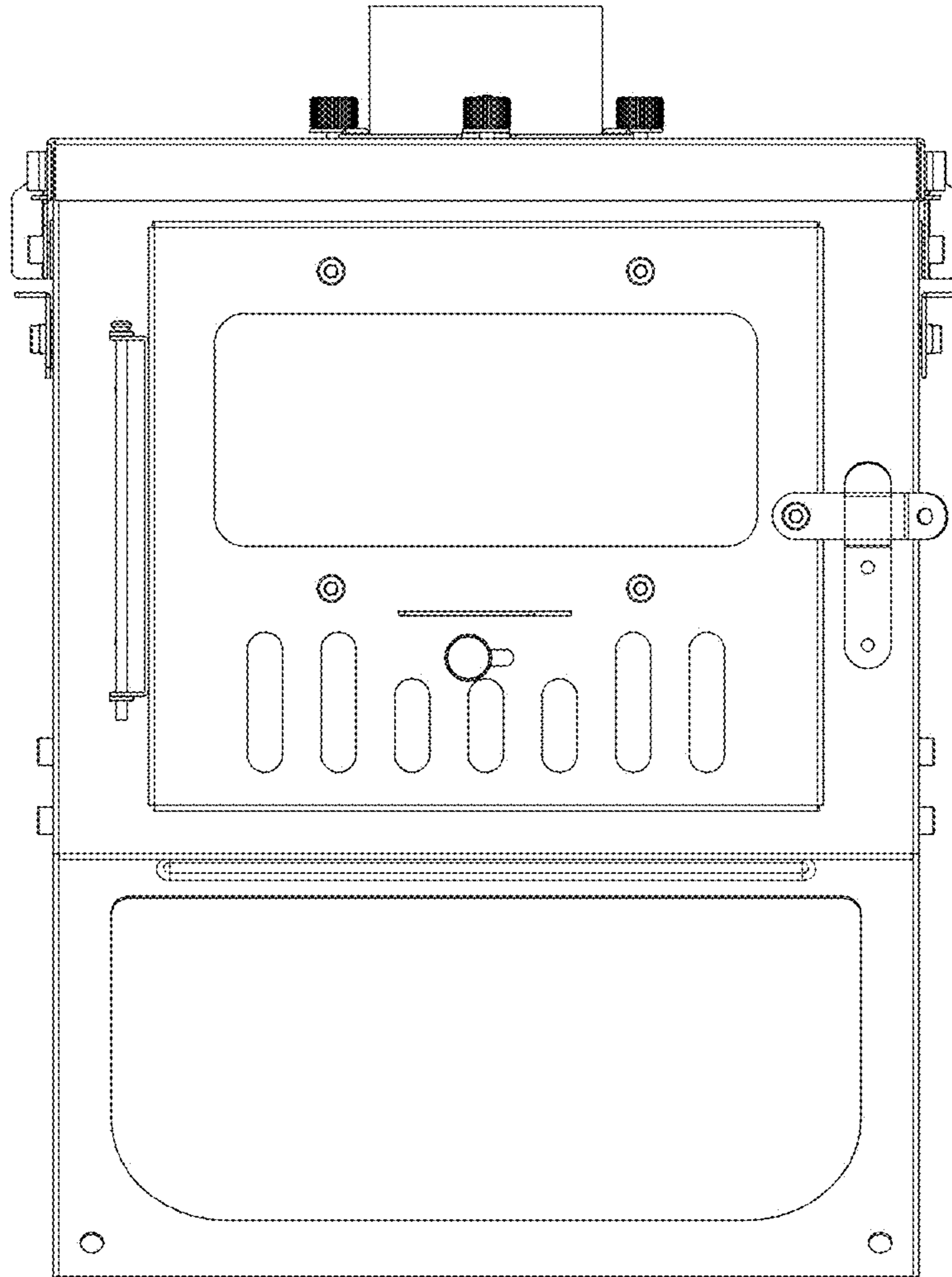


FIG. 2

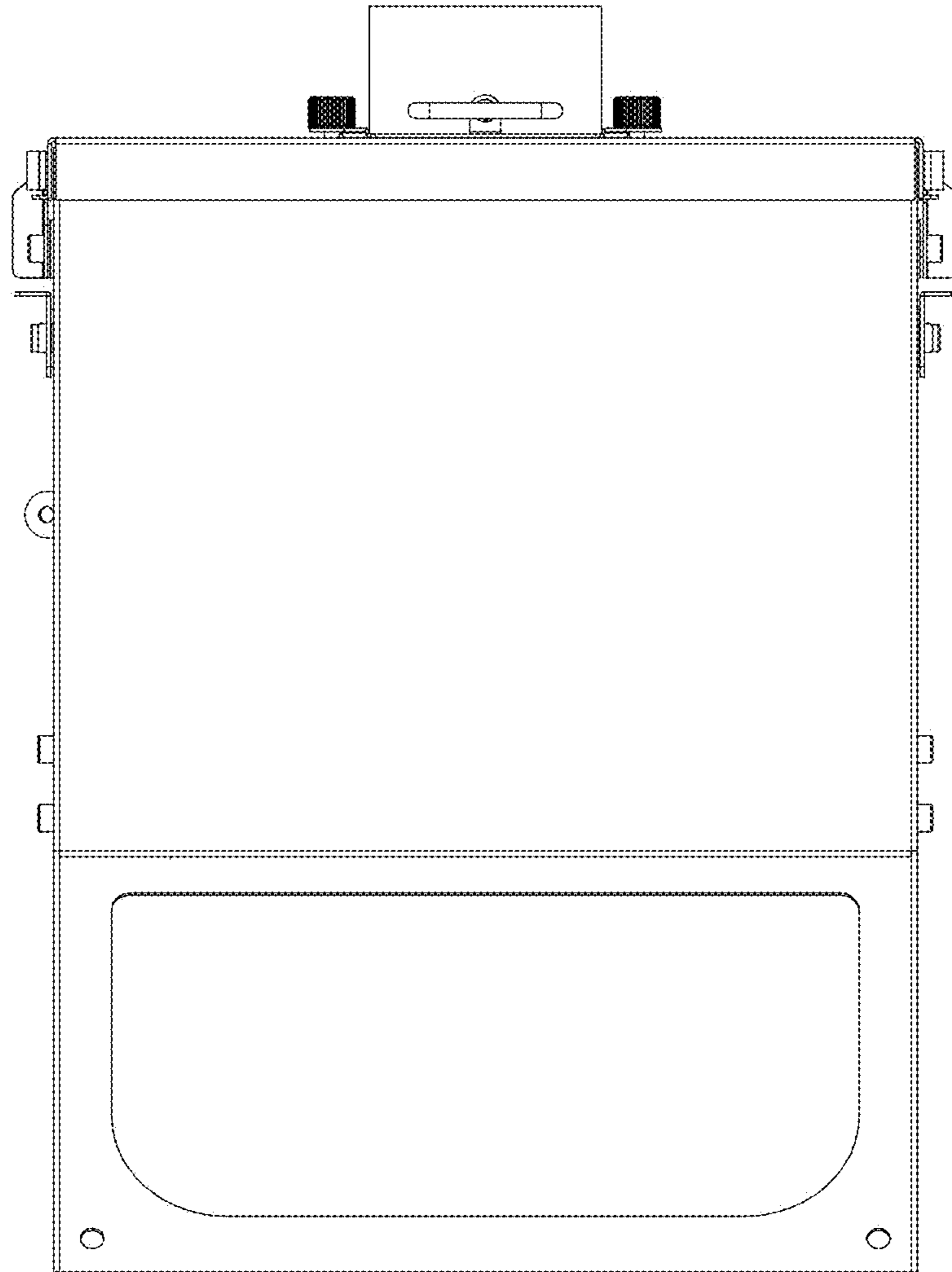


FIG. 3

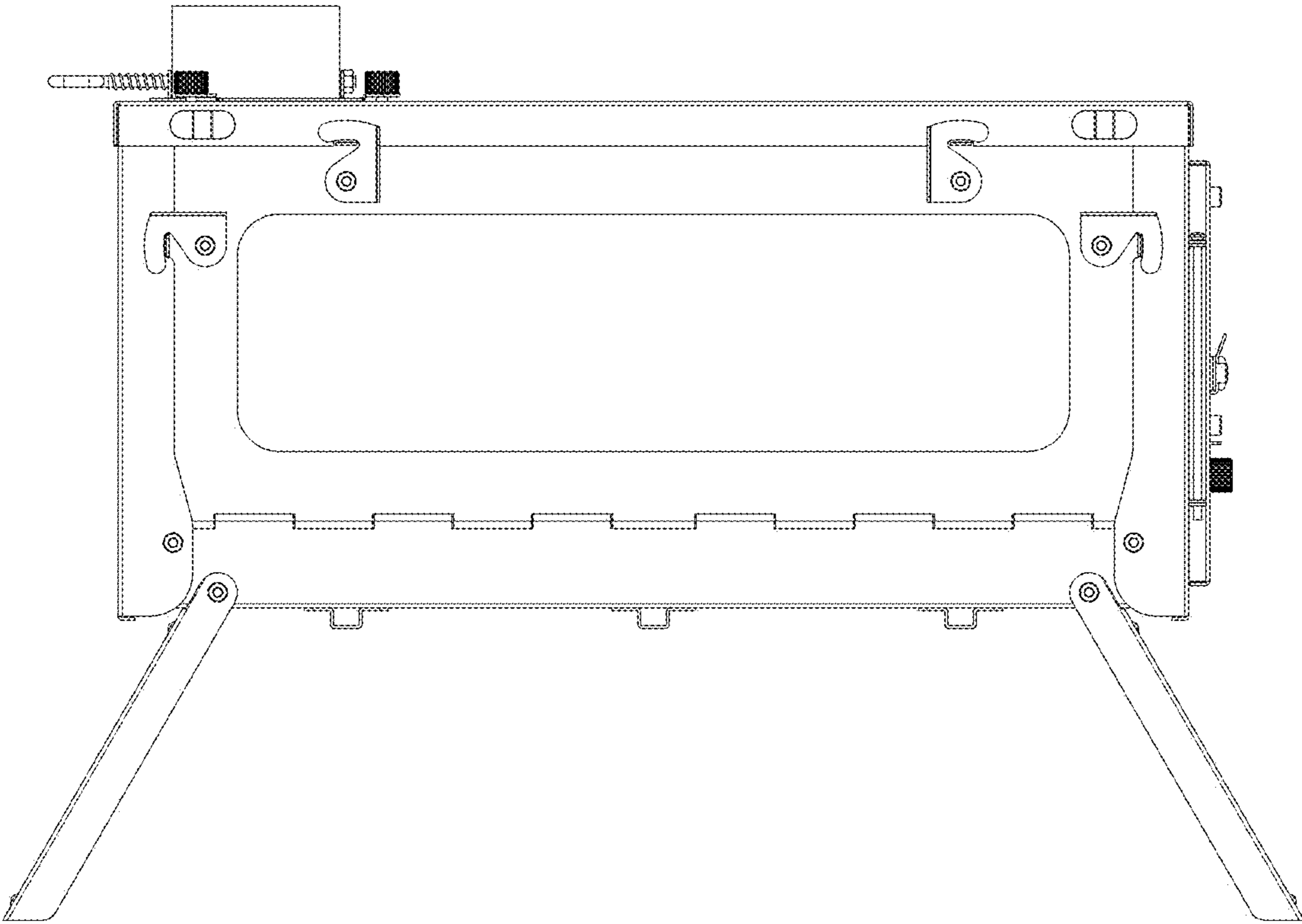


FIG. 4

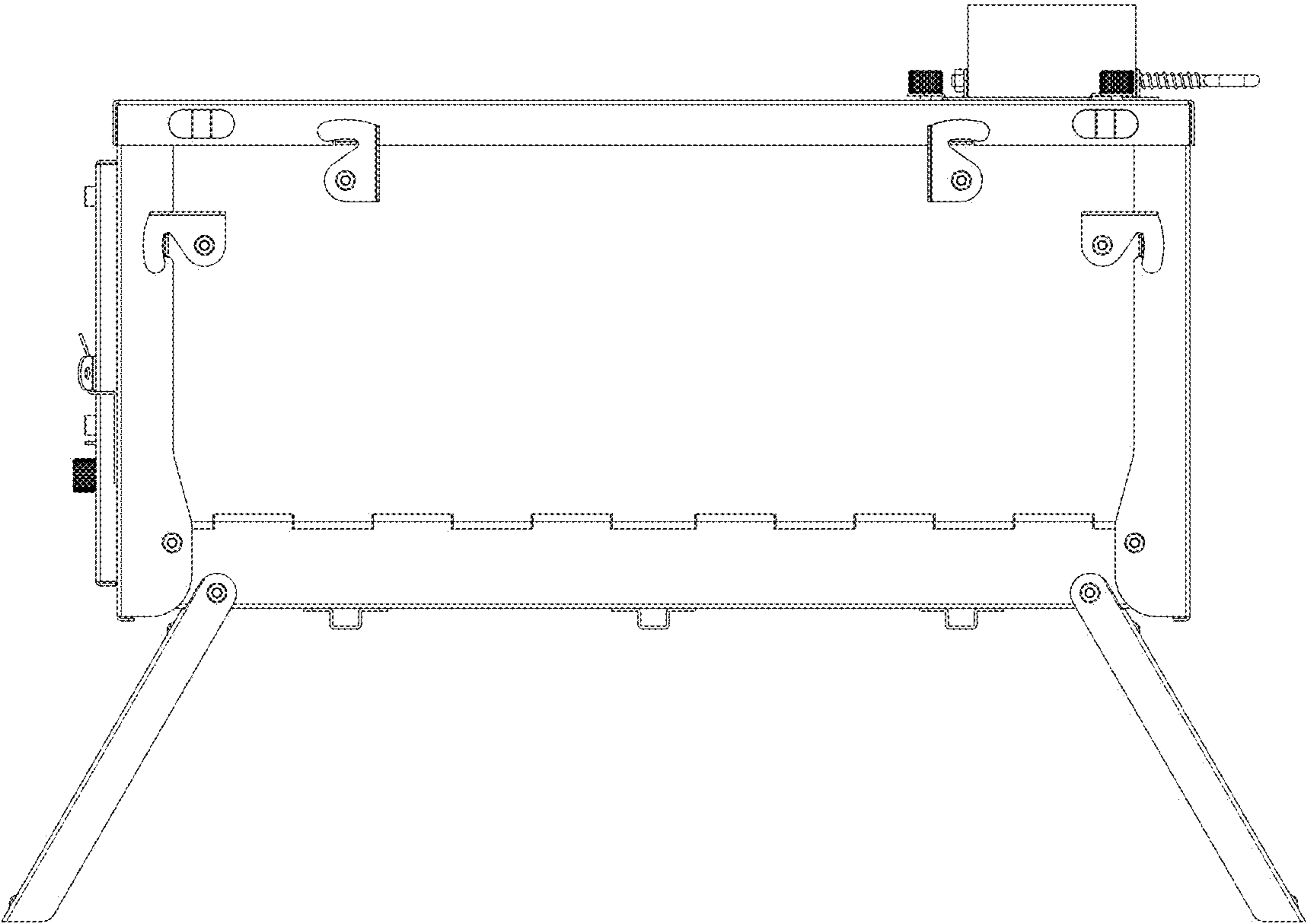


FIG. 5

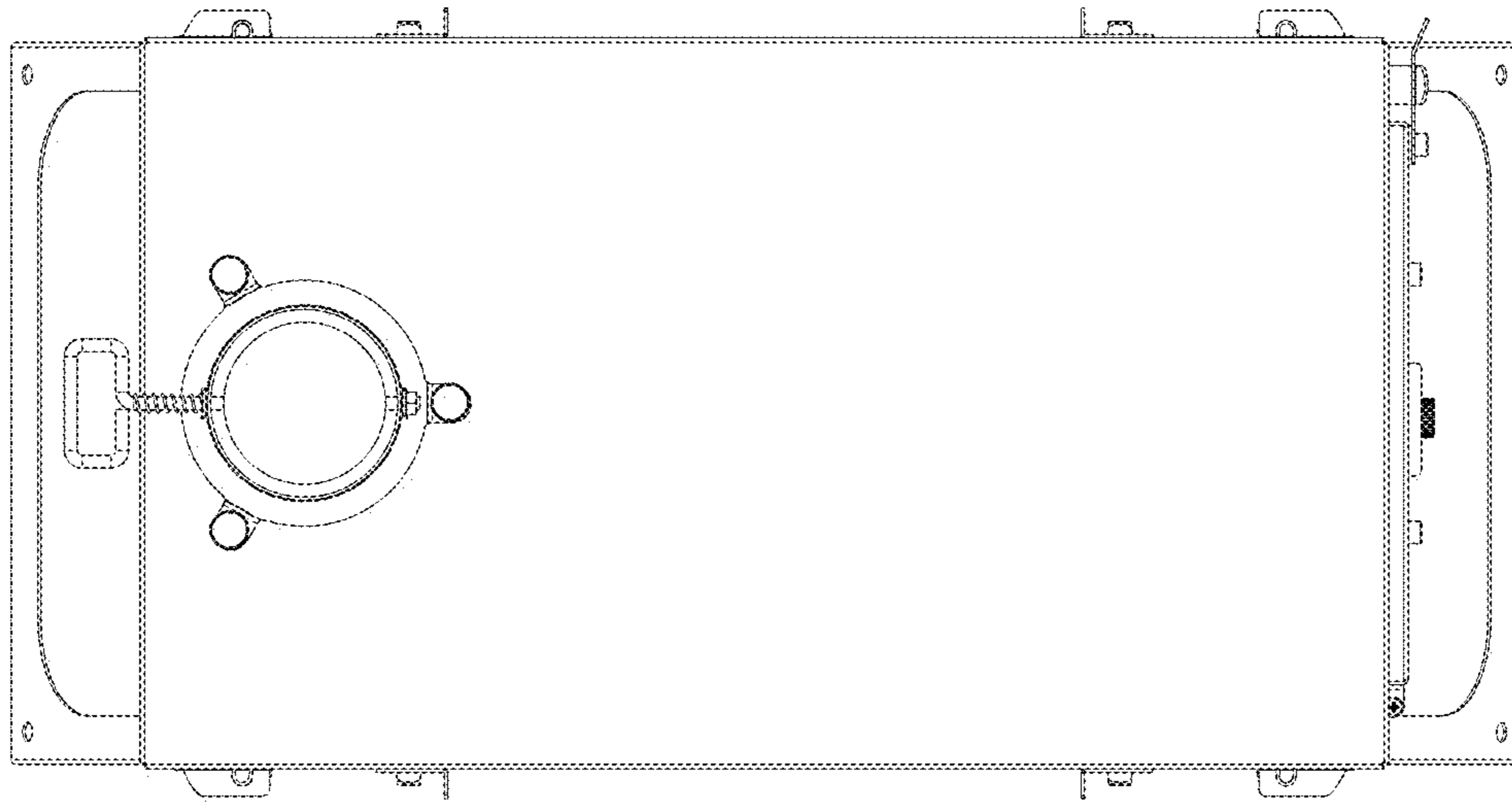


FIG. 6

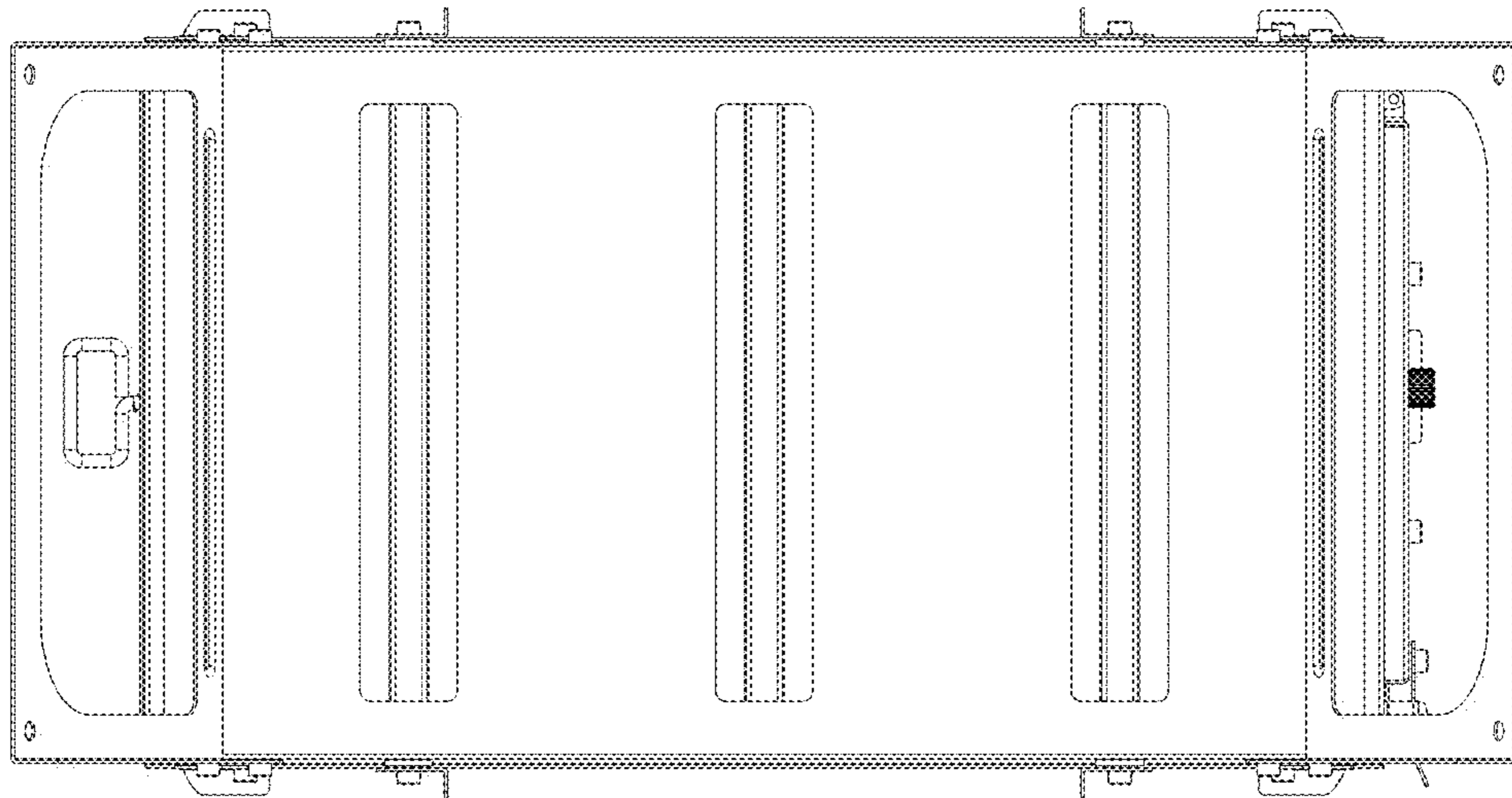


FIG. 7