



US00D942795S

(12) **United States Design Patent**
Bevins

(10) **Patent No.:** **US D942,795 S**

(45) **Date of Patent:** **** Feb. 8, 2022**

- (54) **FOOD SMOKER**
- (71) Applicant: **HAMRFORGE INC.**, Acton Vale (CA)
- (72) Inventor: **Shawn Bevins**, Drummondville (CA)
- (**) Term: **15 Years**
- (21) Appl. No.: **29/696,425**
- (22) Filed: **Jun. 27, 2019**
- (51) **LOC (13) Cl.** **07-02**
- (52) **U.S. Cl.**
USPC **D7/334**
- (58) **Field of Classification Search**
USPC D7/323, 327, 332, 334, 335, 339, 347,
D7/348, 350.2, 350.3, 350.4, 354, 402;
D12/101, 103
CPC .. A47J 33/00; A47J 36/38; A47J 37/00; A47J
37/04; A47J 37/06; A47J 37/0623; A47J
37/0629; A47J 37/0635; A47J 37/0647;
A47J 37/0652; A47J 37/0658; A47J
37/07; A47J 37/0704; A47J 37/0709;
A47J 37/0713; A47J 37/0718; A47J
37/0722; A47J 37/0727; A47J 37/075;
A47J 37/0754; A47J 37/0763; A47J
37/0786; A47J 2037/0777; F24C 1/16;
F24C 5/20
See application file for complete search history.

D646,121 S *	10/2011	Pickard	D7/402
D722,466 S *	2/2015	Zamora	A47J 37/0786
				D7/334
D852,569 S *	7/2019	Giebel	D7/334
D871,821 S *	1/2020	Boltz	D7/334
D915,812 S *	4/2021	Bennion	D7/334
D921,413 S *	6/2021	Fitzpatrick	D7/334
D927,916 S *	8/2021	Yueh	D7/334
2012/0073557 A1	3/2012	Knight		
2017/0065124 A1	3/2017	Colston		
2021/0235927 A1 *	8/2021	Colston	F24B 15/005
2021/0267413 A1 *	9/2021	Roberts	A47J 37/0786

OTHER PUBLICATIONS

Hamrforge Beast Reverse Flow Smoker Charcoal Grill BBQ, first available Feb. 4, 2019, YouTube, [online], [site visited Jan. 19, 2021], Available from internet URL: <https://www.youtube.com/watch?v=qkbY8gDW6EU&list=PLj-1kwmhEINuv1vPY-ltni2MwtyQ0Z6TO> (Year: 2019).*

(Continued)

Primary Examiner — Mary Ann Calabrese
Assistant Examiner — Natalya M Rapundalo
(74) *Attorney, Agent, or Firm* — Anglehart et al.

(57) **CLAIM**

The ornamental design for a food smoker, as shown and described.

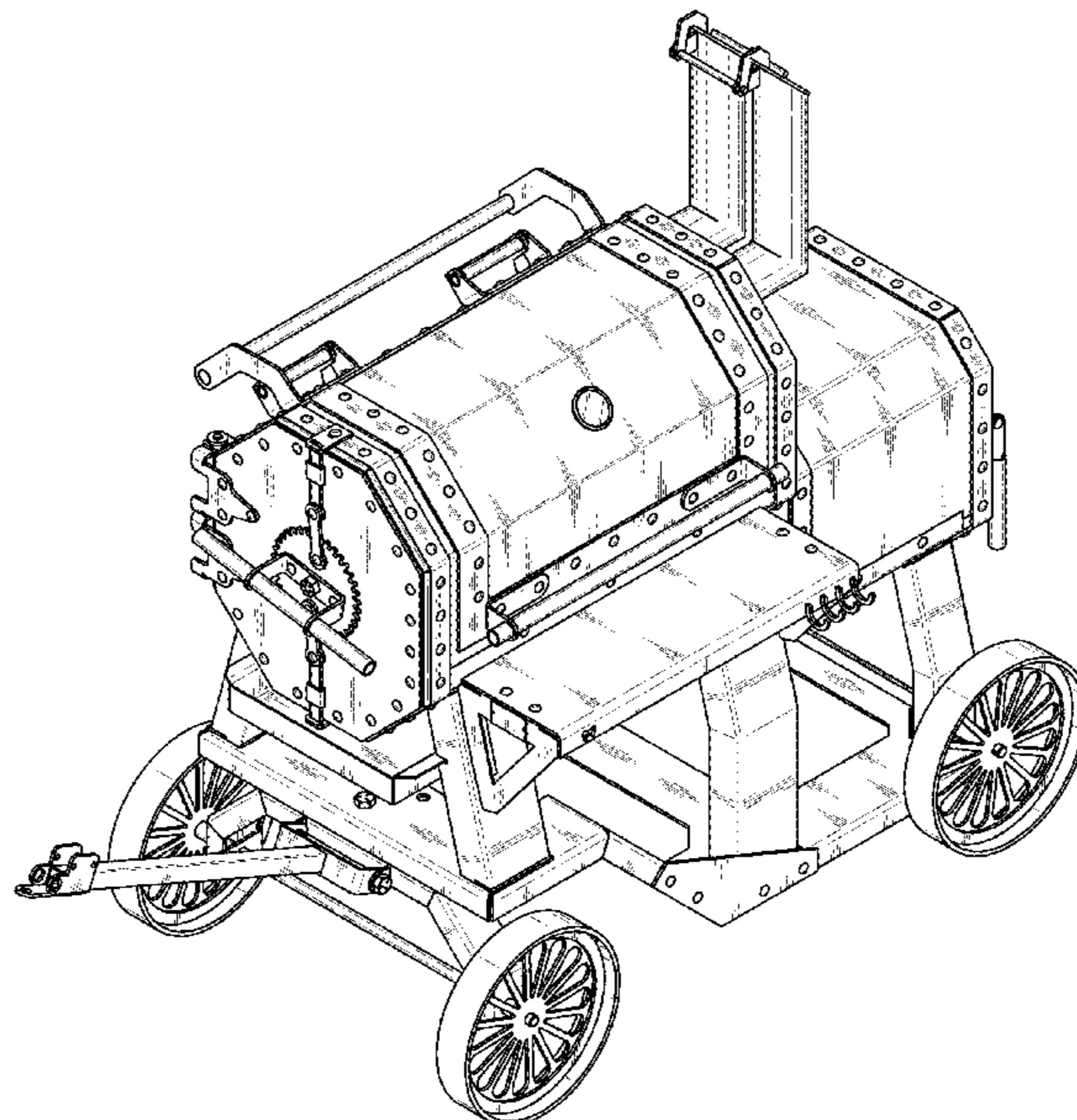
DESCRIPTION

FIG. 1 is a front-right side perspective view of a food smoker showing a first feature of my new design thereof;
FIG. 2 is a front view thereof;
FIG. 3 is a back view thereof;
FIG. 4 is a left-side view thereof
FIG. 5 is a right-side view thereof;
FIG. 6 is a top-down view thereof; and,
FIG. 7 is a bottom view thereof.

1 Claim, 7 Drawing Sheets

(56) **References Cited**
U.S. PATENT DOCUMENTS

D295,136 S *	4/1988	Cox, Jr.	D7/334
5,413,033 A	5/1995	Riccio		
D366,804 S *	2/1996	Kitten	D7/334
D466,838 S *	12/2002	Penny	D12/103
6,626,089 B1	9/2003	Hubert		
D491,410 S *	6/2004	Saunders	F24B 15/005
				D7/334
D636,217 S *	4/2011	Slater	D7/334



(56)

References Cited

OTHER PUBLICATIONS

Design No. 008184972-0001, Sep. 24, 2020—European Union Intellectual Property Office (EUIPO) Publication Date—Oct. 9, 2020 Owner—Konzept mit Kopf GmbH DesignView, available at www.tmdn.org/tmdsview-web/welcome (Year: 2020).*

The Beast—Hamrforge, Hamrforge.com, [online], [site visited Jan. 19, 2021], Available from internet URL: <https://hamrforge.com/the-beast/> (Year: 2021).*

International application No. PCT/CA2019/050907 International Search Report dated Apr. 2, 2020.

International application No. PCT/CA2019/050907 Written Opinion dated Apr. 2, 2020.

* cited by examiner

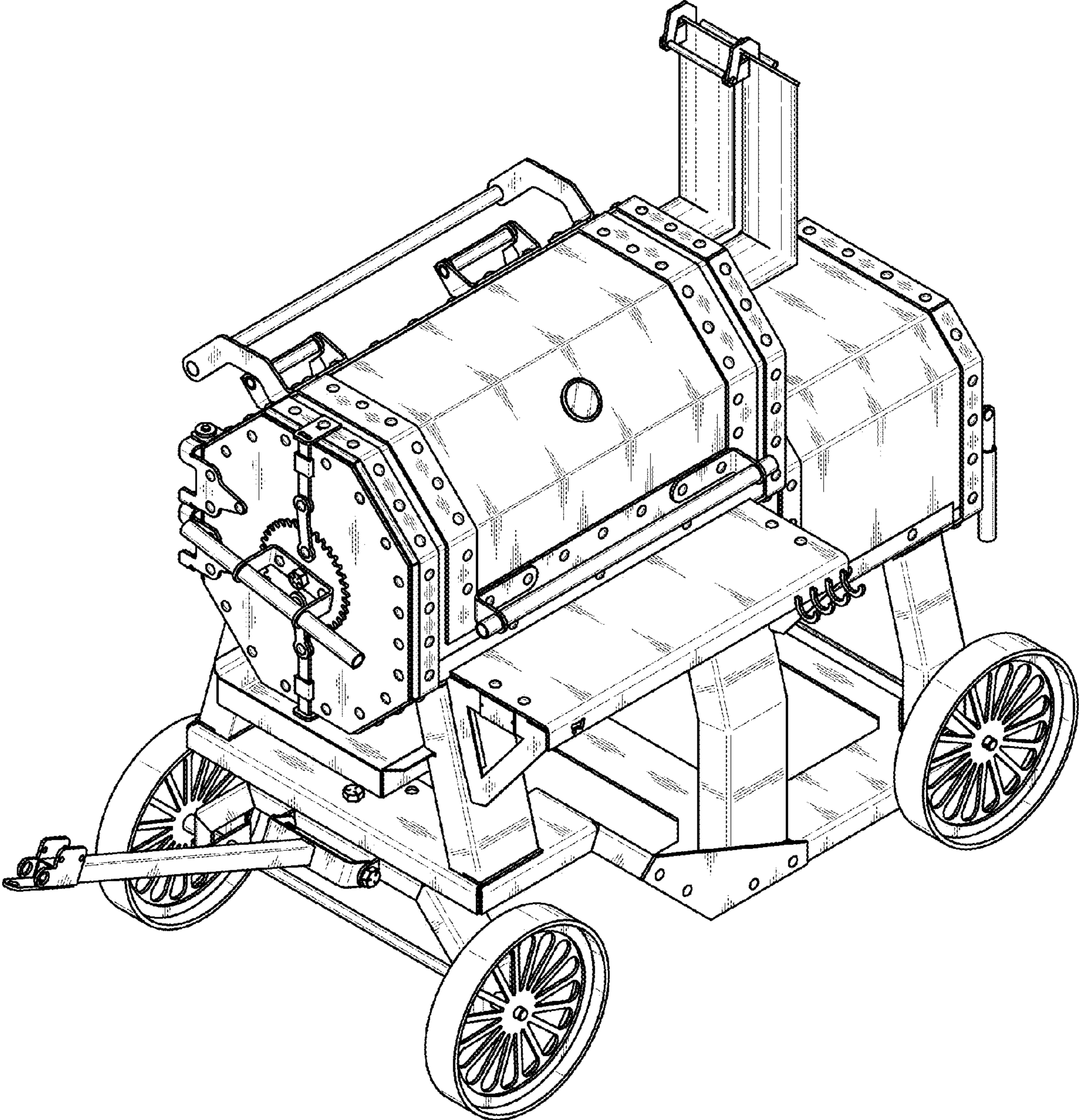


FIG. 1

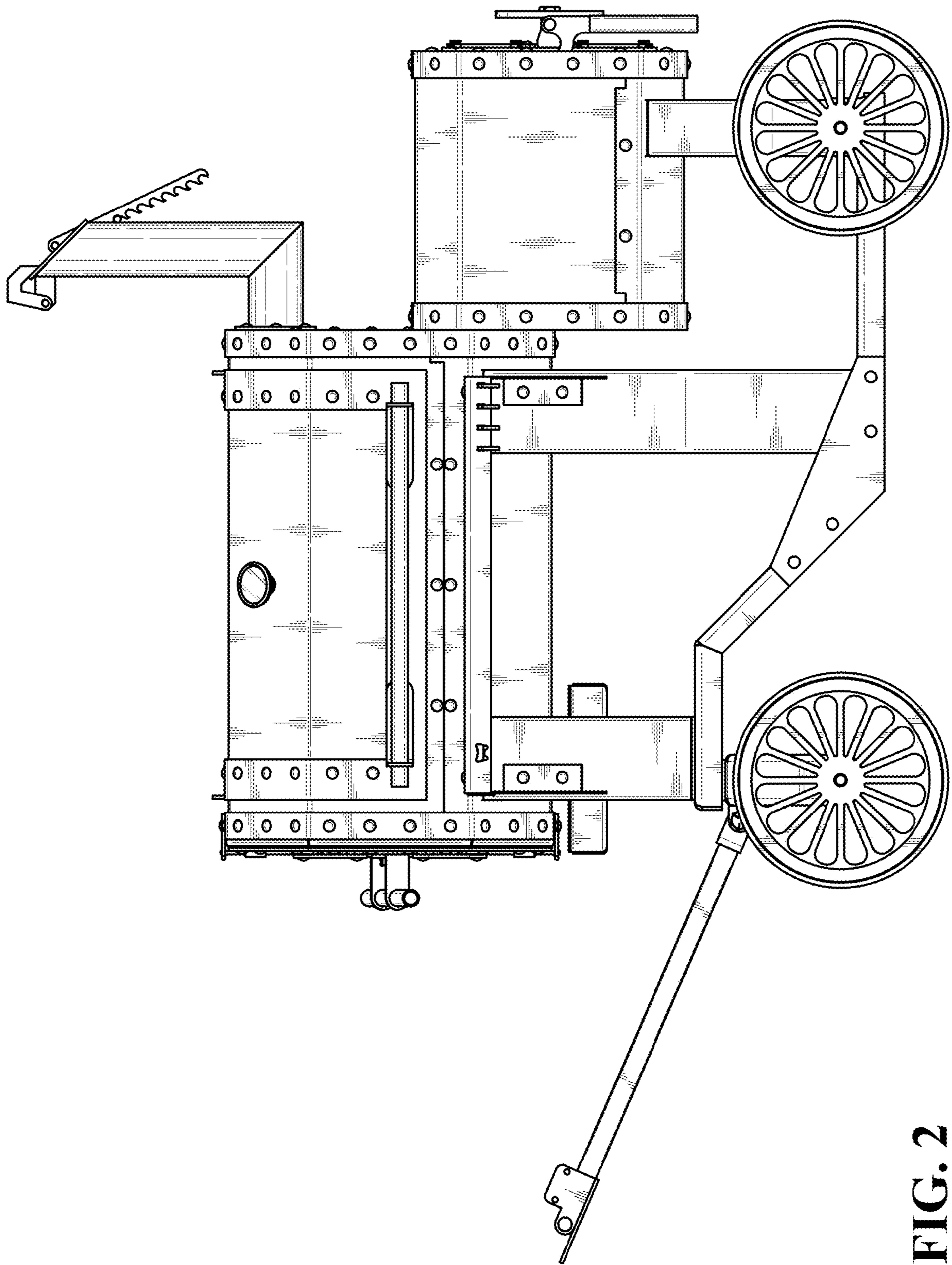


FIG. 2

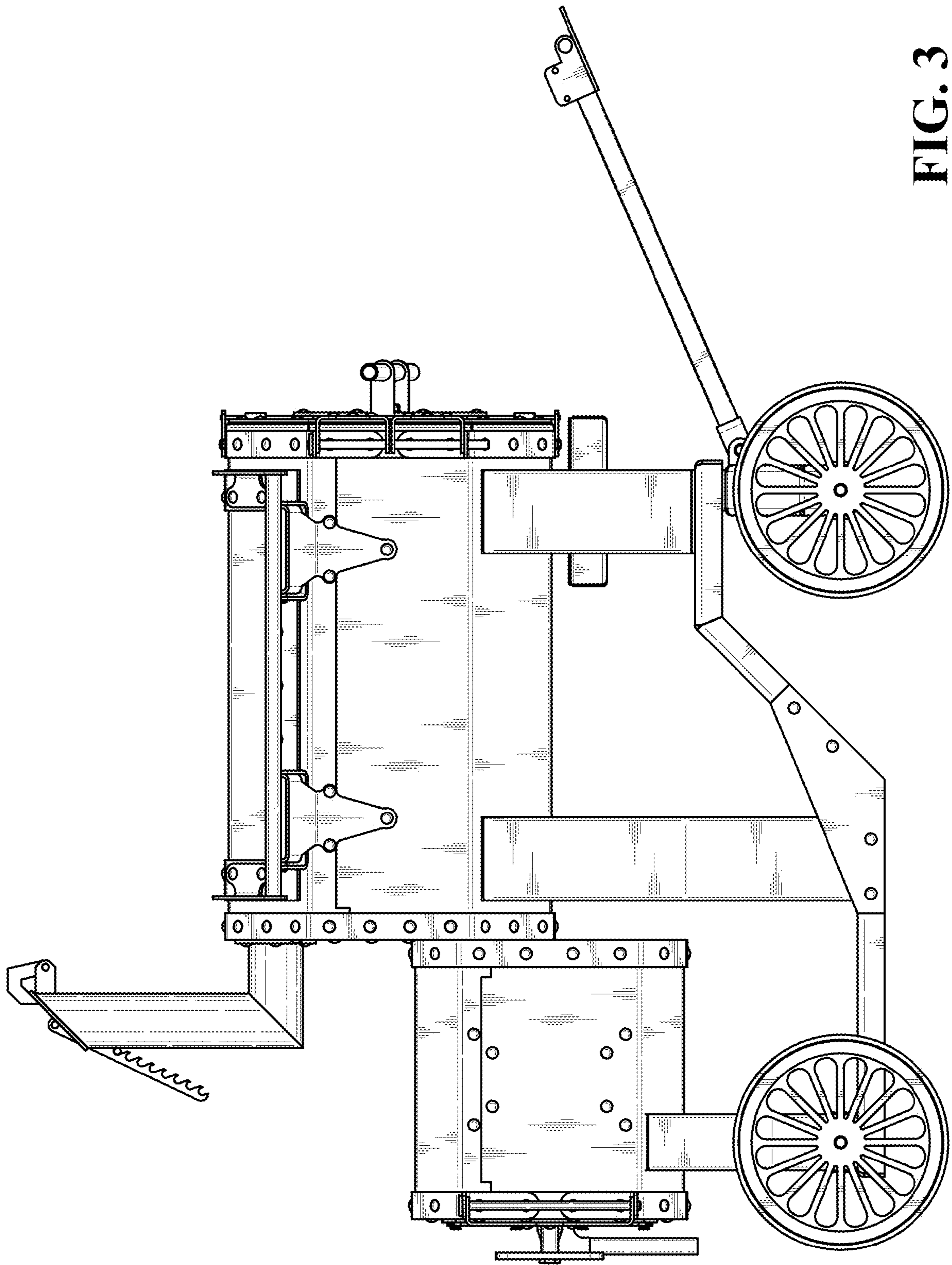


FIG. 3

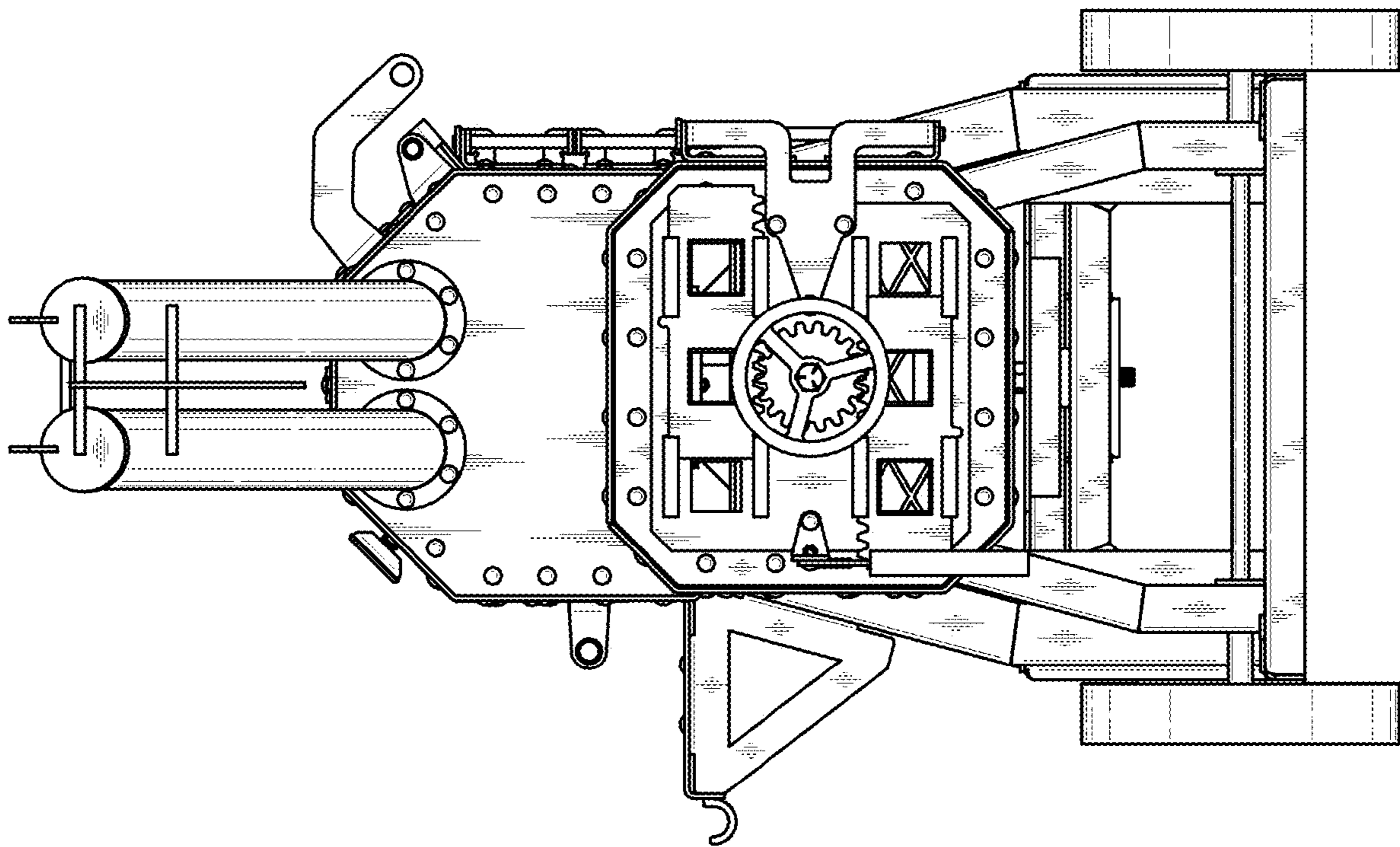


FIG. 4

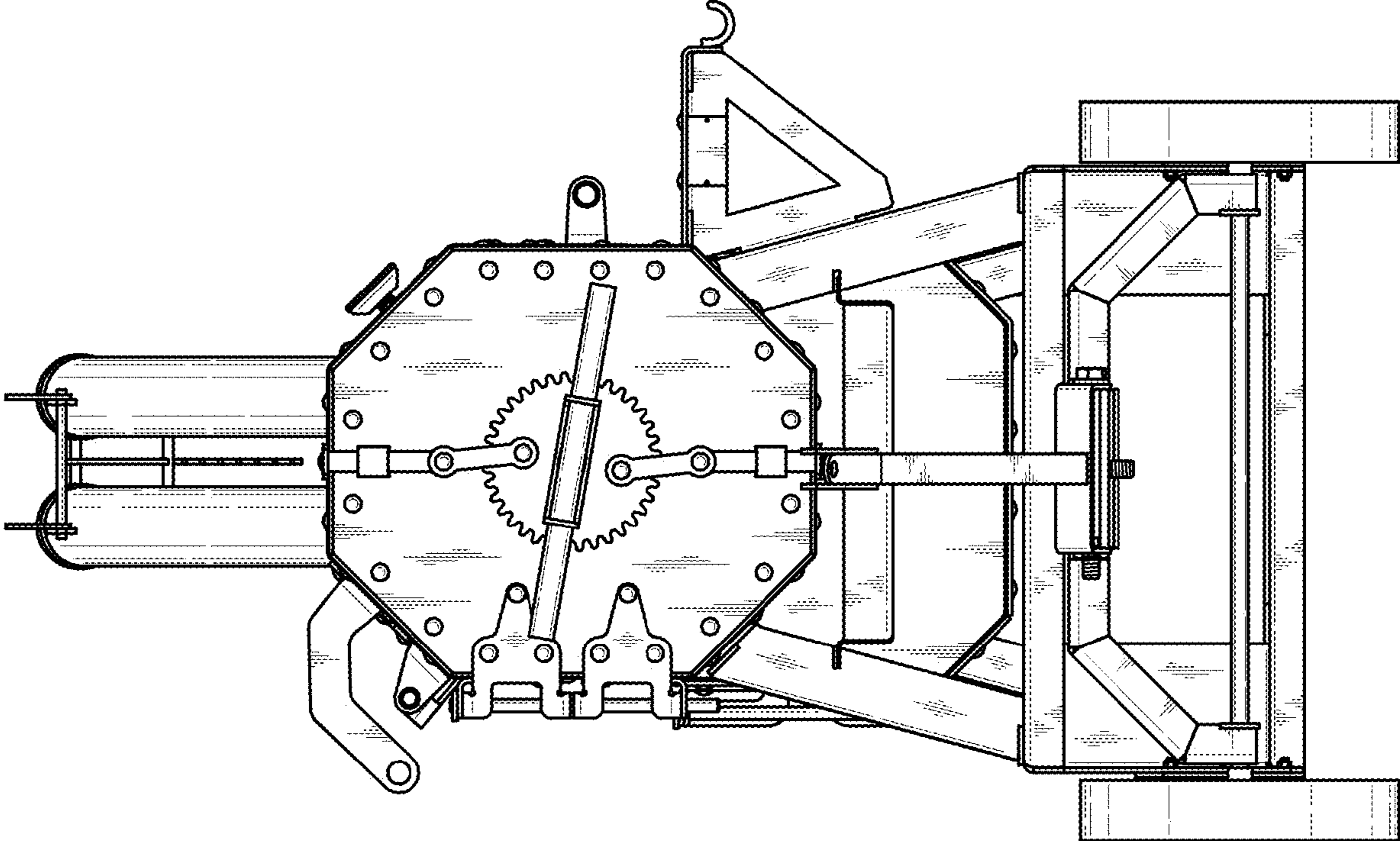


FIG. 5

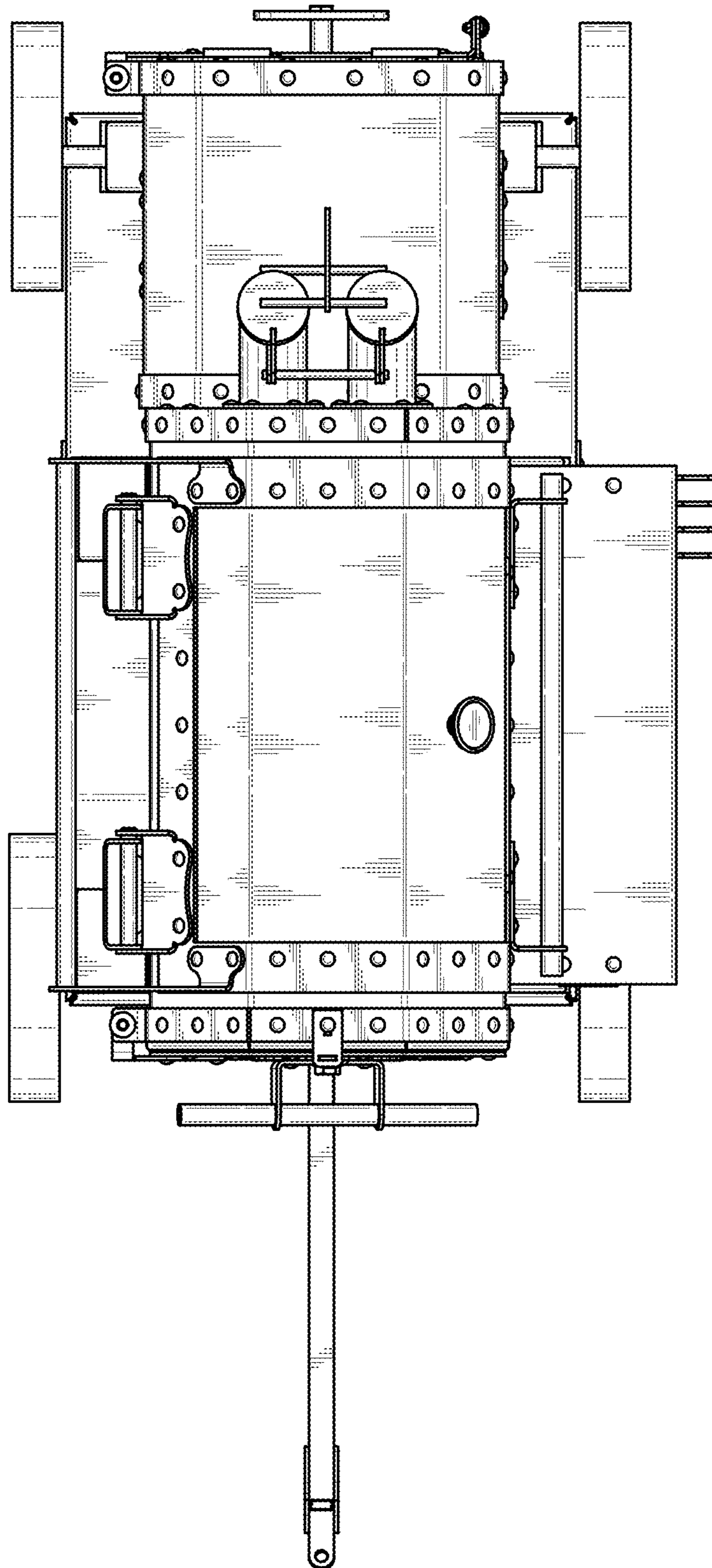


FIG. 6

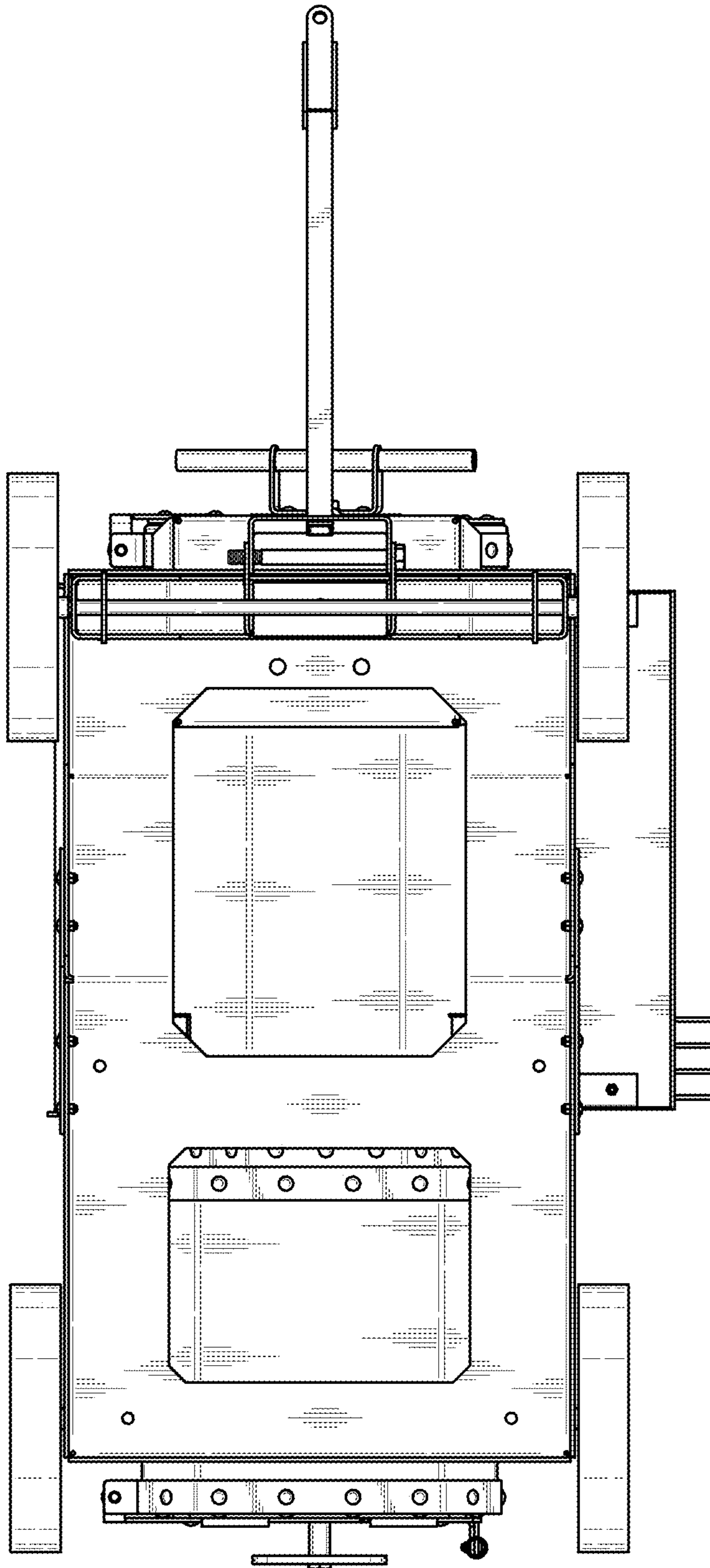


FIG. 7