



US00D942794S

(12) **United States Design Patent** (10) **Patent No.:** **US D942,794 S**  
**Yang et al.** (45) **Date of Patent:** **\*\* Feb. 8, 2022**

(54) **ELECTRIC POT**  
(71) Applicant: **ETEK CITY CORPORATION**,  
Anaheim, CA (US)  
(72) Inventors: **Lin Yang**, Shenzhen (CN); **Hai Yang**,  
Shenzhen (CN)  
(\*\*) Term: **15 Years**

D718,974 S \* 12/2014 De'Longhi ..... D7/321  
D779,260 S \* 2/2017 De' Longhi ..... A47J 27/21  
D7/321  
D828,070 S \* 9/2018 Wastney ..... D7/321  
D834,884 S \* 12/2018 McConnell ..... D7/397  
D862,147 S \* 10/2019 Hagger ..... D7/312  
D862,160 S \* 10/2019 McConnell ..... D7/399  
D874,206 S \* 2/2020 Shir ..... D7/321  
D885,110 S \* 5/2020 Katsunuma ..... D7/321  
2018/0160847 A1 \* 6/2018 Miller ..... A47J 27/21  
2021/0204746 A1 \* 7/2021 Numa ..... A47J 27/21166

(21) Appl. No.: **29/710,595**

(22) Filed: **Oct. 24, 2019**

(30) **Foreign Application Priority Data**

Apr. 25, 2019 (CN) ..... 201930194688.5

(51) **LOC (13) Cl.** ..... **07-02**

(52) **U.S. Cl.**  
USPC ..... **D7/321**

(58) **Field of Classification Search**  
USPC ..... D7/300, 300.1, 301-303, 312-321, 376,  
D7/378, 393-395, 396.1, 396.2, 397-401,  
D7/413, 598, 600, 601, 602, 619.1, 622,  
D7/629, 709  
CPC ..... A45F 3/16; A47G 19/12; A47G 19/127;  
A47G 19/14; A47G 19/16; A47G 19/22;  
A47G 19/30; A47G 2019/122; A47J  
27/21; A47J 27/21008; A47J 27/2105;  
A47J 27/21058; A47J 27/21083; A47J  
27/21183; A47J 27/21191; A47J 31/005;  
A47J 31/0642; A47J 31/54  
See application file for complete search history.

(56) **References Cited**

**U.S. PATENT DOCUMENTS**

D268,888 S \* 5/1983 Gremonprez ..... D7/321  
D479,091 S \* 9/2003 Glucksman ..... D7/317  
D642,005 S \* 7/2011 Geissler ..... D7/319  
D683,584 S \* 6/2013 Gross ..... D7/397

**OTHER PUBLICATIONS**

Design No. 305335417, Sep. 6, 2019—China National Intellectual Property Administration (CNIPA) Publication Date—Sep. 6, 2019  
Owner—Zhongshan Anboer Electrical Appliance Co Ltd, Designer—  
Li Xue Bin WIPO, available at <https://www3.wipo.int/designdb/en/index.jsp> (Year: 2019).\*

(Continued)

*Primary Examiner* — Mary Ann Calabrese  
*Assistant Examiner* — Natalya M Rapundalo  
(74) *Attorney, Agent, or Firm* — Tsz Lung Yeung

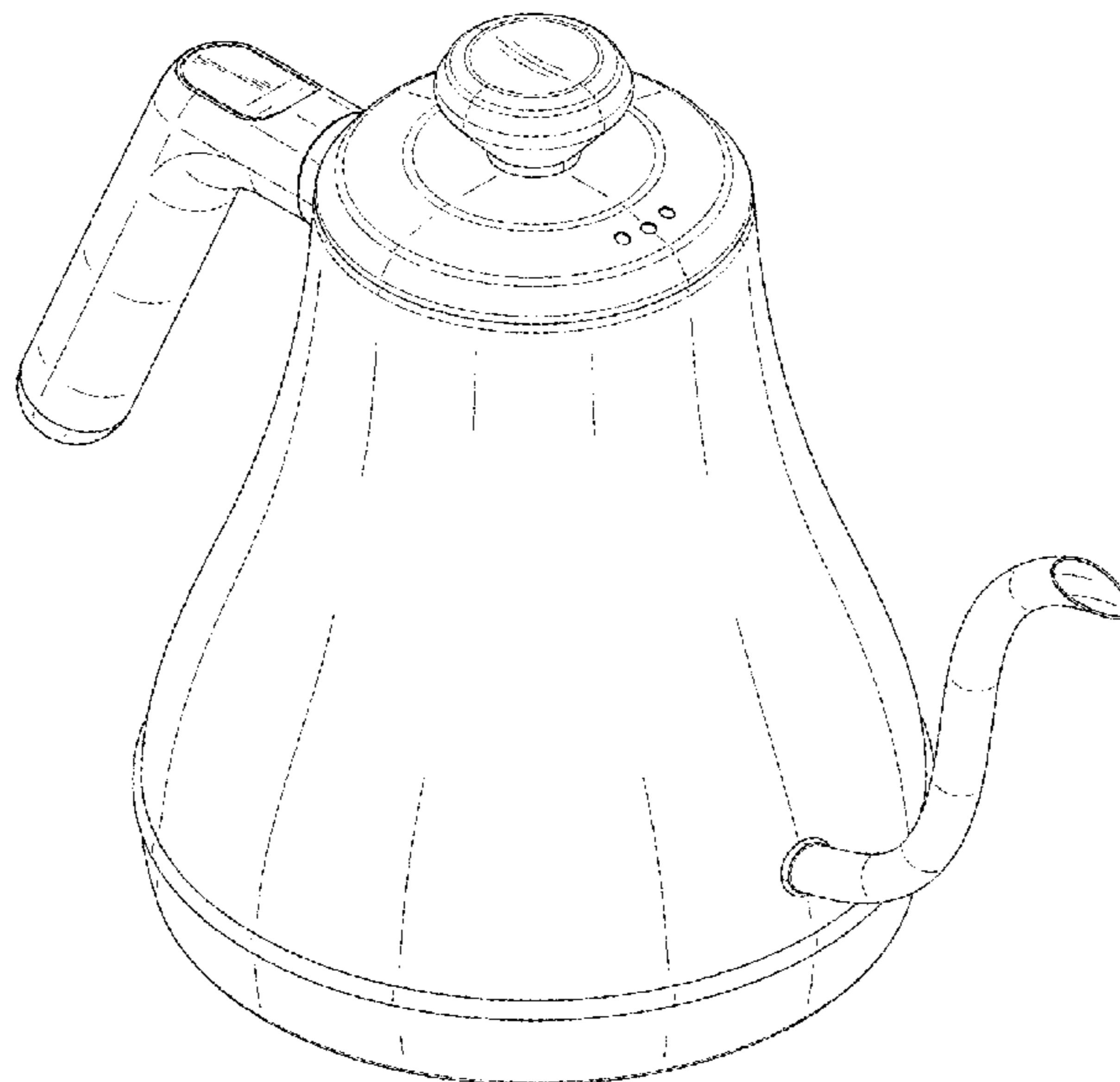
(57) **CLAIM**

The ornamental design for an electric pot, as shown and described.

**DESCRIPTION**

FIG. 1 is a perspective view of an electric pot showing my new design;  
FIG. 2 is a front view thereof;  
FIG. 3 is a rear view thereof;  
FIG. 4 is a right side view thereof;  
FIG. 5 is a left side view thereof;  
FIG. 6 is a top view thereof; and,  
FIG. 7 is a bottom view thereof.  
The broken lines in the figures illustrate portions of the electric pot that form no part of the claimed design.

**1 Claim, 7 Drawing Sheets**



(56)

**References Cited**

OTHER PUBLICATIONS

COSORI Electric Gooseneck Kettle, first available Jul. 1, 2019, Amazon, [online], [site visited Jun. 2, 2021], Available from internet URL: <https://www.amazon.com/dp/B07T1CH2HH> (Year: 2019).\*

Design No. 306234914, Dec. 18, 2020—China National Intellectual Property Administration (CNIPA) Publication Date—Dec. 18, 2020 Owner—Shen Chuchang WIPO, available at <https://www3.wipo.int/designdb/en/index.jsp> (Year: 2020).\*

Willsence Gooseneck Kettle, first available Oct. 19, 2020, Amazon, [online], [site visited Jun. 2, 2021], Available from internet URL: <https://www.amazon.com/dp/B08LDGV5K> (Year: 2020).\*

\* cited by examiner

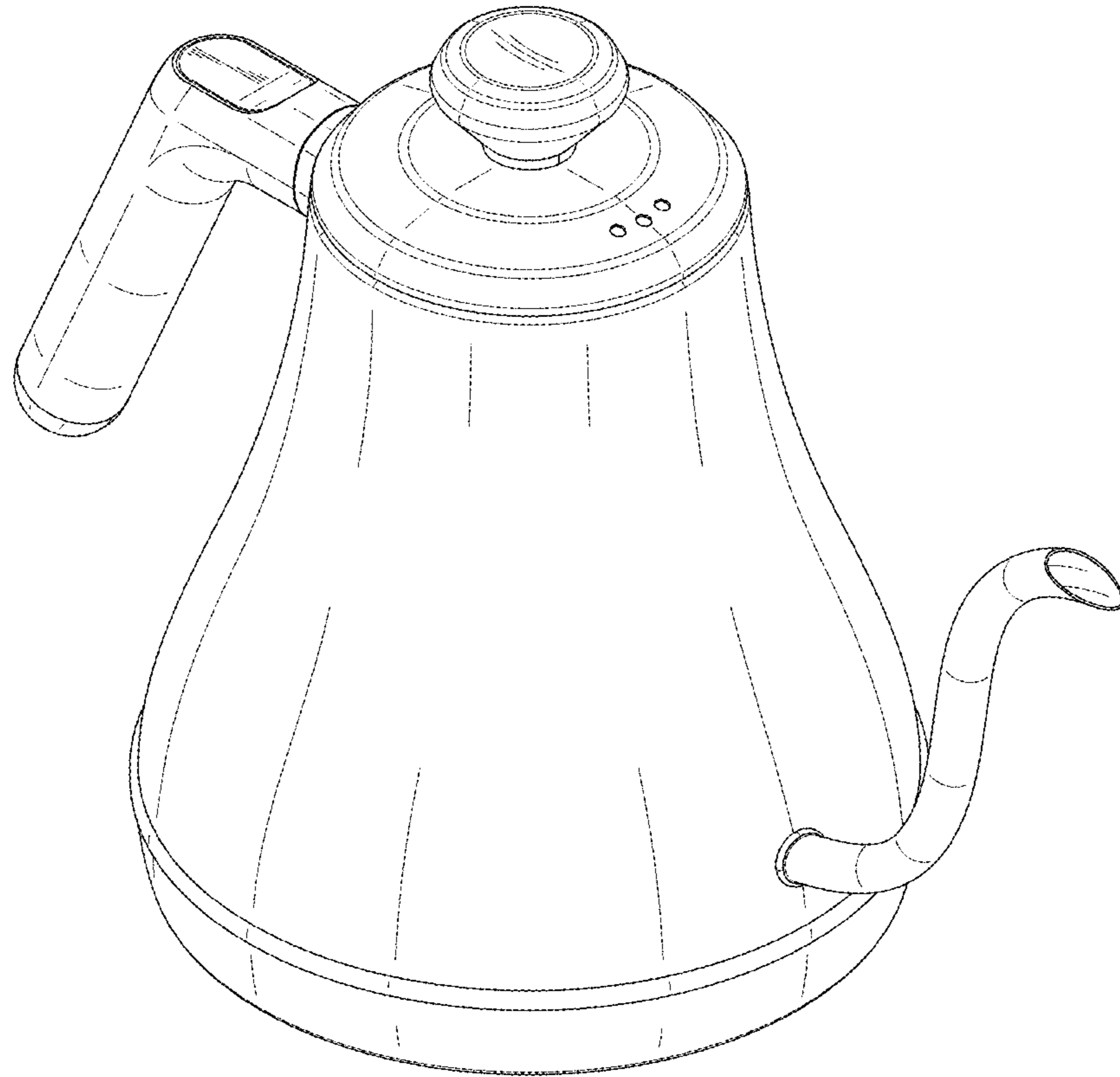


FIG. 1

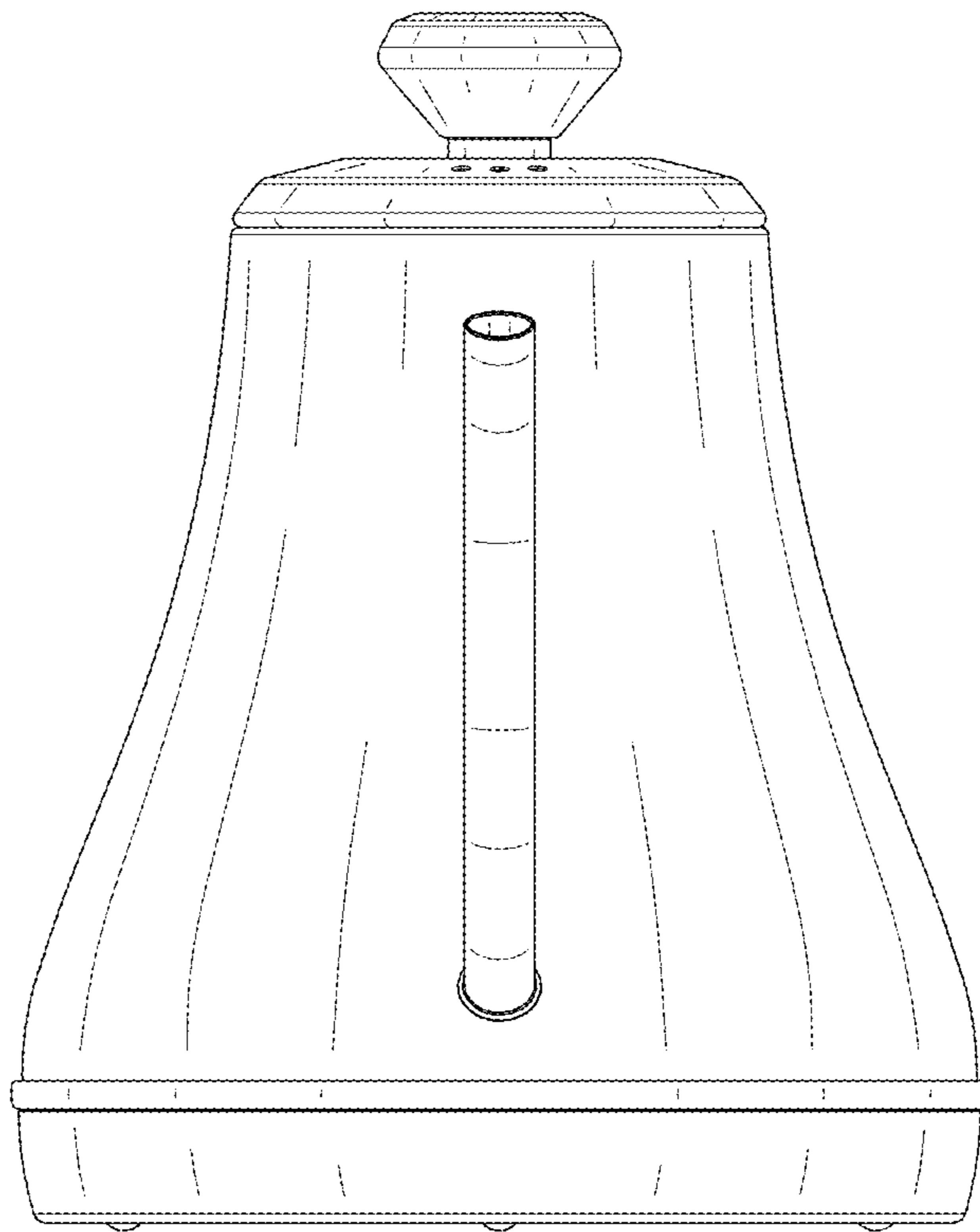
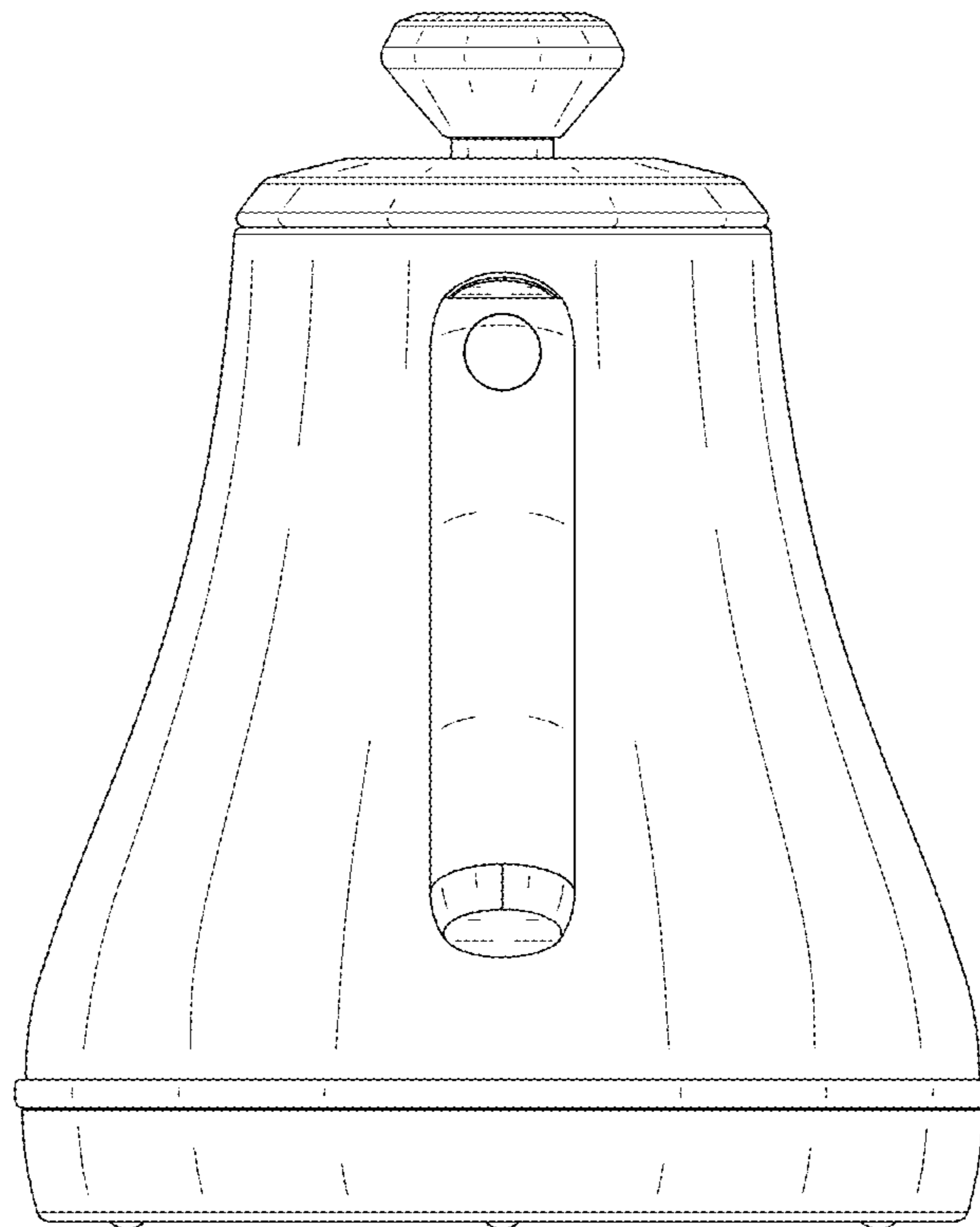


FIG.2



*FIG. 3*

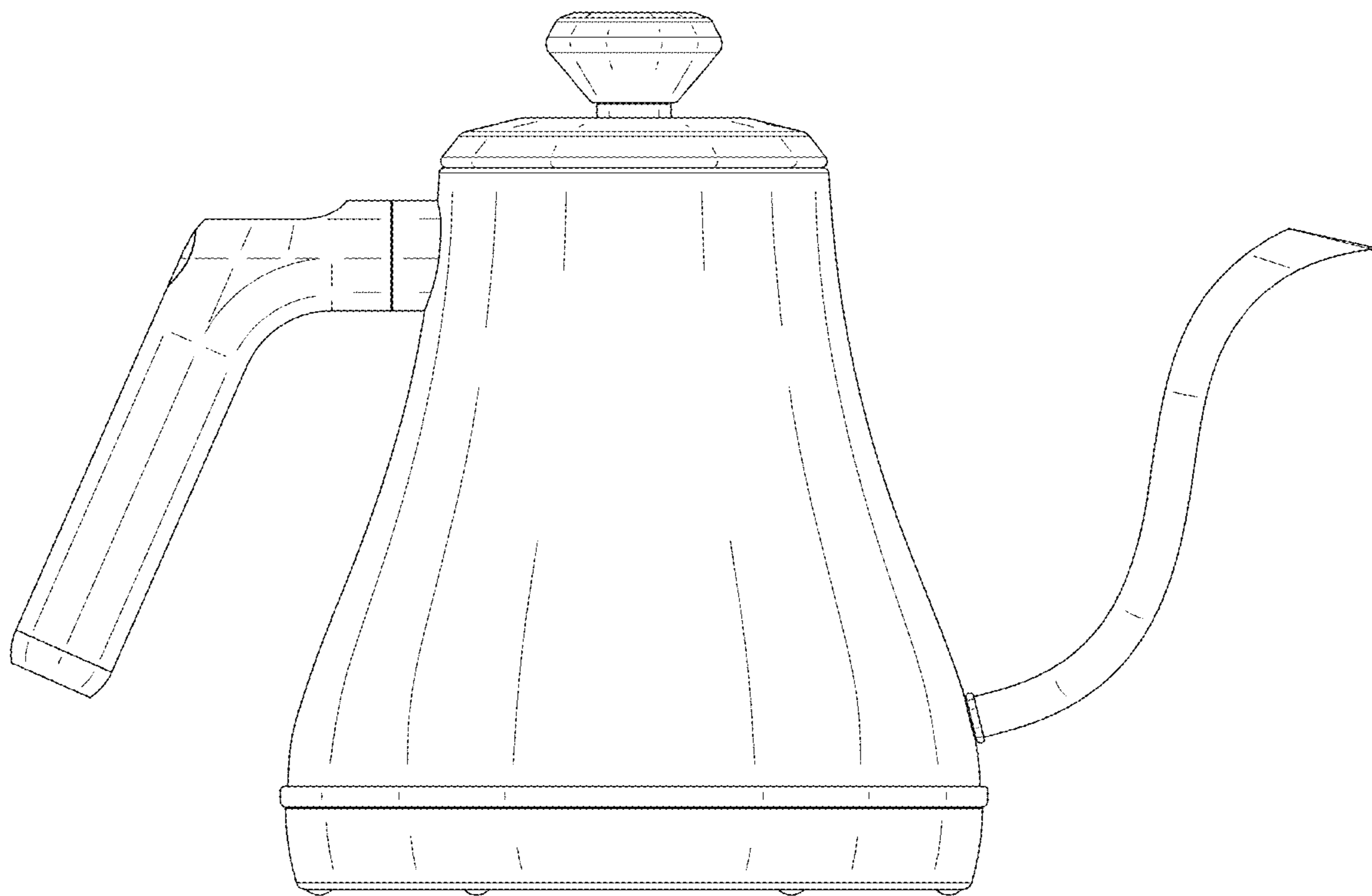


FIG.4

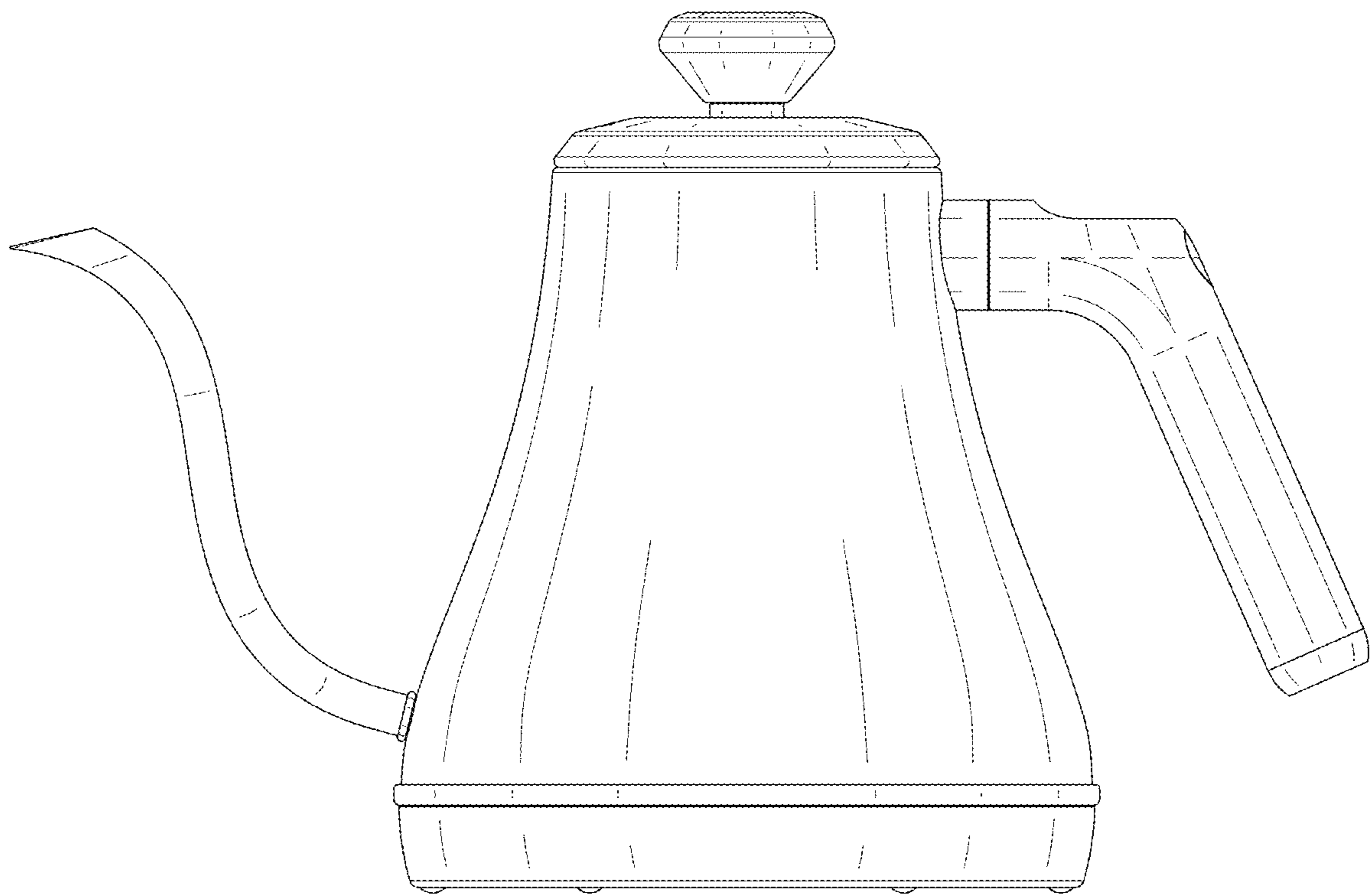


FIG. 5



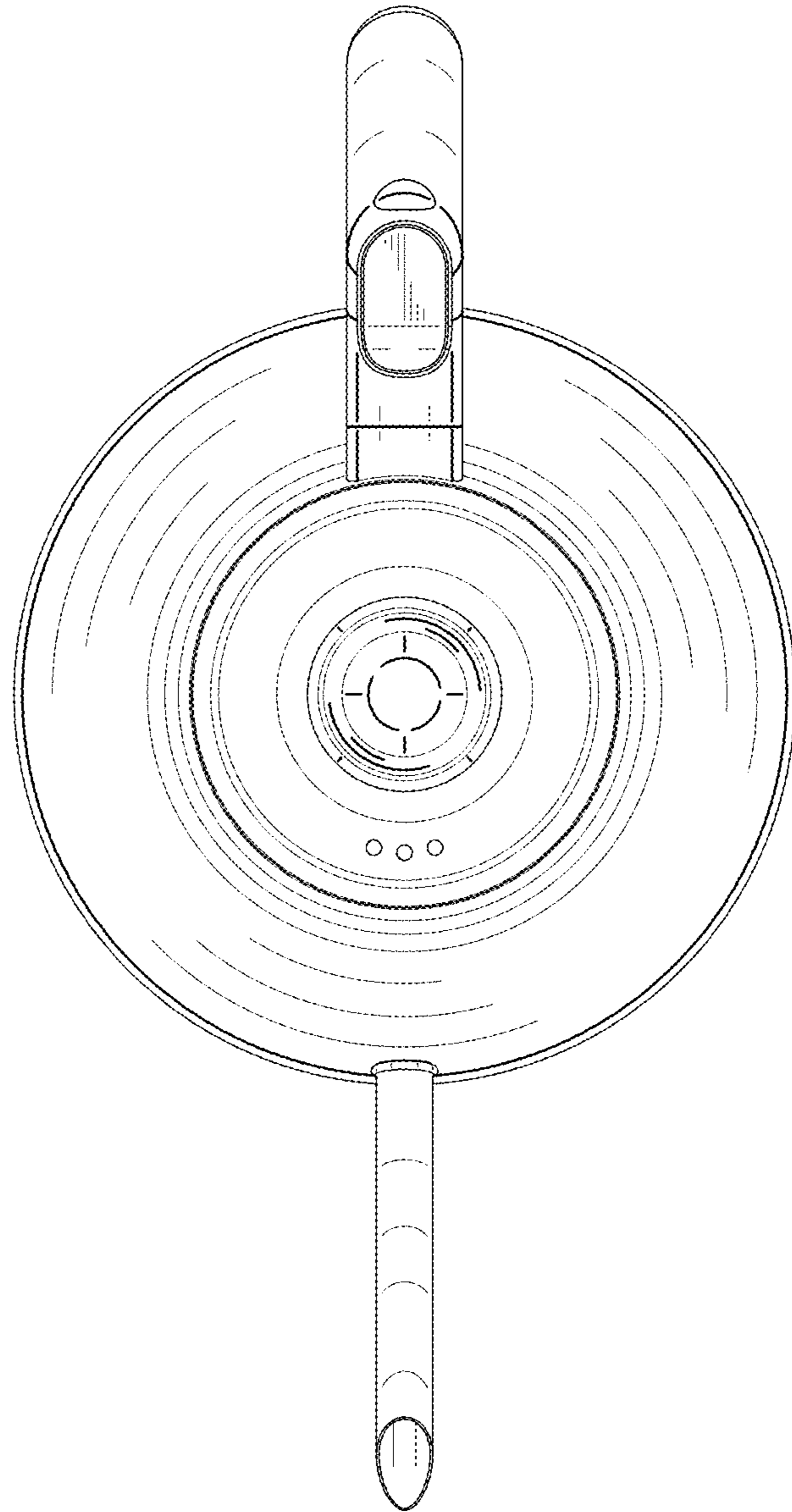


FIG.6



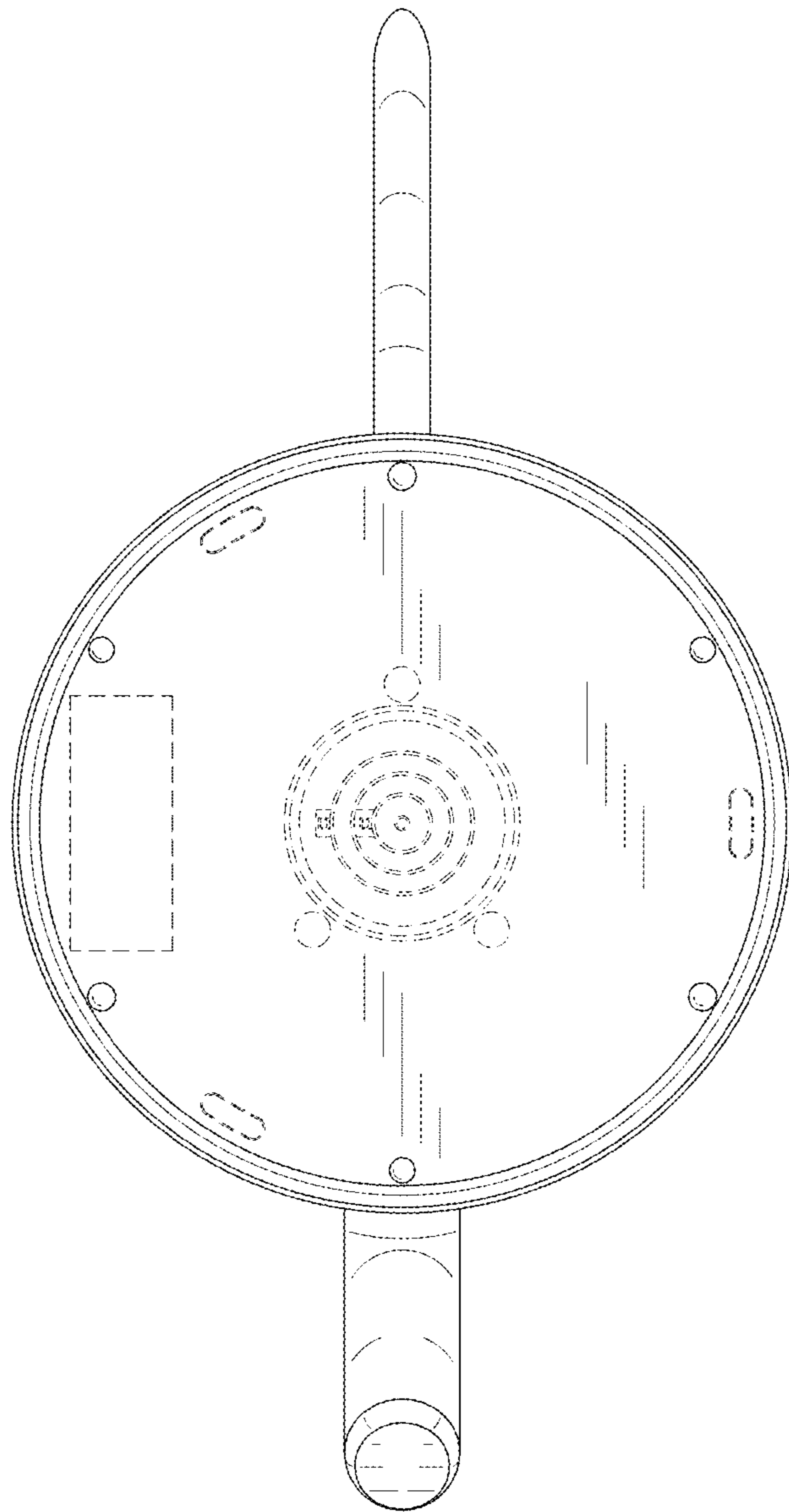


FIG. 7