



US00D942792S

(12) **United States Design Patent**
Jefimovs et al.

(10) **Patent No.:** **US D942,792 S**
(45) **Date of Patent:** **** Feb. 8, 2022**

(54) **DRINKING STRAW**
(71) Applicant: **Viktors Jefimovs**, Newhaven (GB)
(72) Inventors: **Viktors Jefimovs**, Newhaven (GB);
Jack Sandys, Haslemere (GB)
(73) Assignee: **Viktors Jefimovs**, Newhaven (GB)
(**) Term: **15 Years**
(21) Appl. No.: **29/717,706**
(22) Filed: **Dec. 18, 2019**
(30) **Foreign Application Priority Data**

Jun. 21, 2019 (GB) 6063809
(51) **LOC (13) Cl.** **07-06**
(52) **U.S. Cl.**
USPC **D7/300.2**
(58) **Field of Classification Search**
USPC D27/101; D7/300, 300.2, 301, 635;
D23/205, 209; D17/10, 13
CPC B65D 81/26; B65D 2517/0049; A47G
21/18; A47G 21/187; A61J 7/0038
See application file for complete search history.

(56) **References Cited**
U.S. PATENT DOCUMENTS
2,070,495 A * 2/1937 Strutz A47G 19/2222
215/391
D271,836 S * 12/1983 Border D7/300.2
5,628,713 A * 5/1997 Wilkinson A45B 3/00
482/51
6,283,294 B1 * 9/2001 Thorball A23L 2/52
206/438
D487,375 S * 3/2004 Bengtsson D7/300.2
D564,278 S * 3/2008 Villalobos D7/300.2
D575,570 S * 8/2008 Antonelli D7/300.2

D599,110 S * 9/2009 Shepherd D3/254
8,579,148 B2 * 11/2013 Slansky B65D 77/28
220/707
D734,083 S * 7/2015 Hollander D7/300.2
D769,044 S * 10/2016 Hollander D7/300.2
D808,702 S * 1/2018 Hollander D7/300.2
D831,397 S * 10/2018 Diorio D7/300.2
D887,762 S * 6/2020 Chen D7/300.2
D896,016 S * 9/2020 Leinbach D7/300.2
D901,960 S * 11/2020 Serrahima D7/300.2
2005/0103879 A1 * 5/2005 Robinson A61J 7/0038
239/33
2005/0274815 A1 * 12/2005 Bergholtz A47G 21/18
239/16
2012/0138622 A1 * 6/2012 Slansky A47G 21/18
220/780
2017/0079453 A1 * 3/2017 Diorio A47G 21/18
2020/0029713 A1 * 1/2020 Wang A47G 21/181
2020/0077823 A1 * 3/2020 Burns A47G 21/18

* cited by examiner
Primary Examiner — S. Bryan Reinholdt, Jr.
(74) *Attorney, Agent, or Firm* — Levy & Grandinetti

(57) **CLAIM**
We claim the ornamental design for a drinking straw, as shown and described.

DESCRIPTION
FIG. 1 is a front view of a drinking straw;
FIG. 2 is a rear view of the drinking straw of FIG. 1;
FIG. 3 is a top perspective view of the drinking straw of FIG. 1;
FIG. 4 is an enlarged bottom view of the drinking straw of FIG. 1;
FIG. 5 is a right view of the drinking straw of FIG. 1;
FIG. 6 is a left view of the drinking straw of FIG. 1; and,
FIG. 7 is a perspective view of the drinking straw of FIG. 1.
The broken line showing portions of drinking straw forms no part of the claimed design.

1 Claim, 7 Drawing Sheets

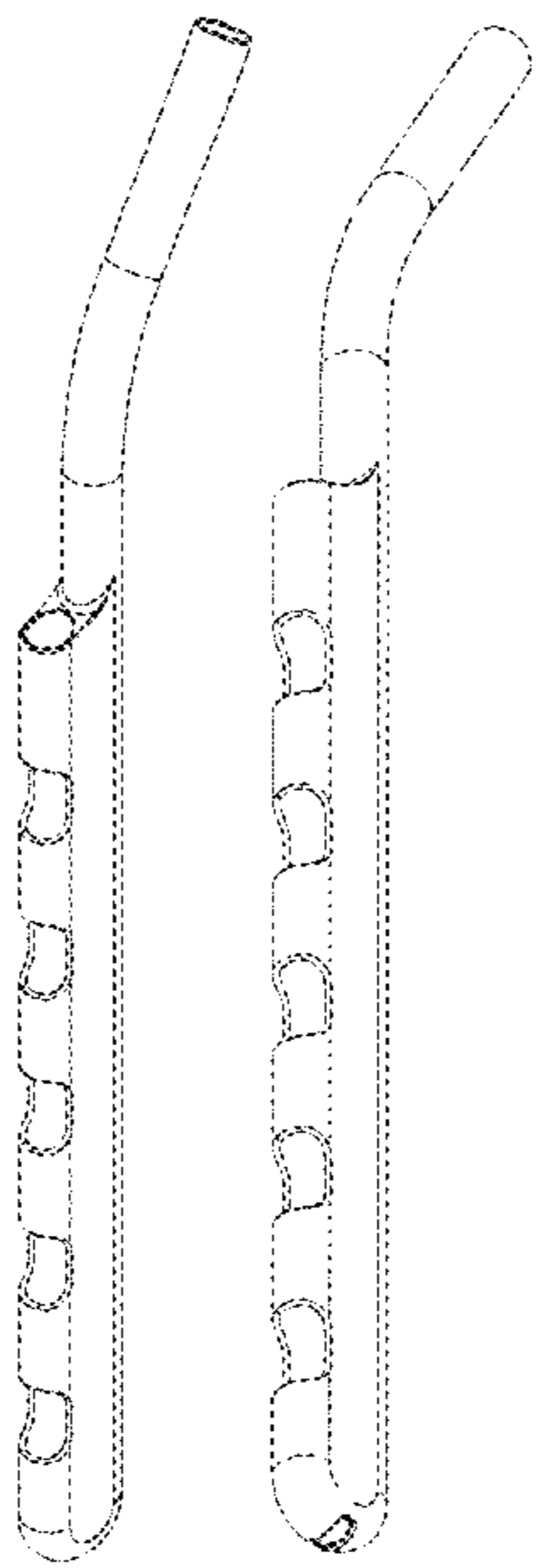




FIG. 1

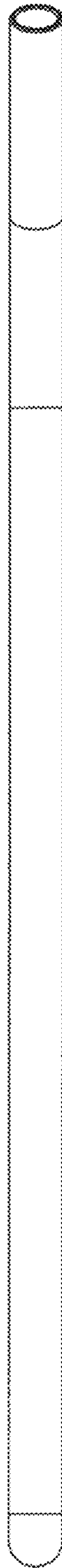


FIG. 2

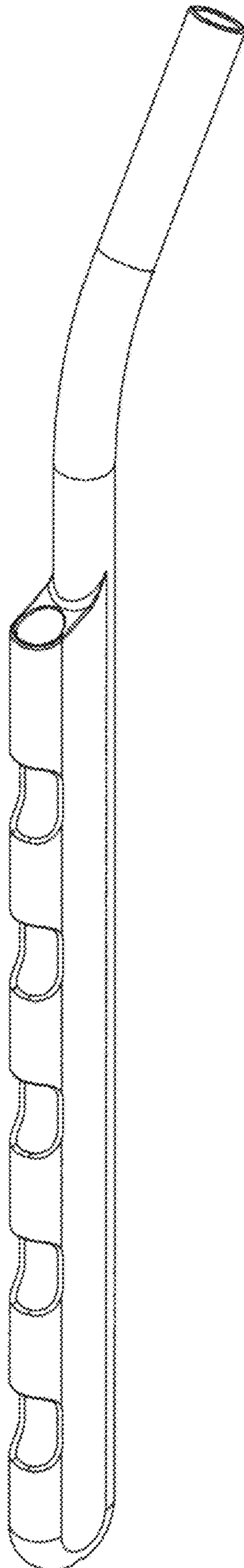


FIG. 3

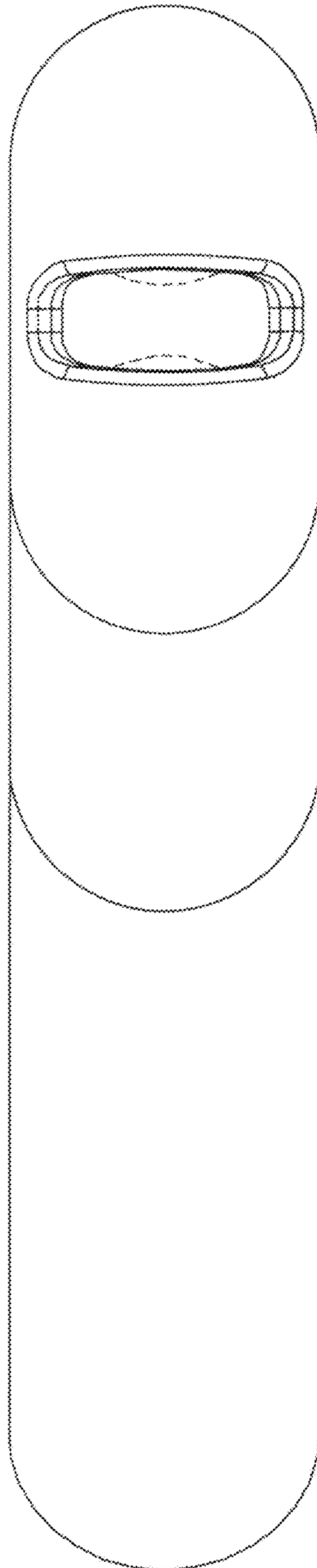


FIG. 4

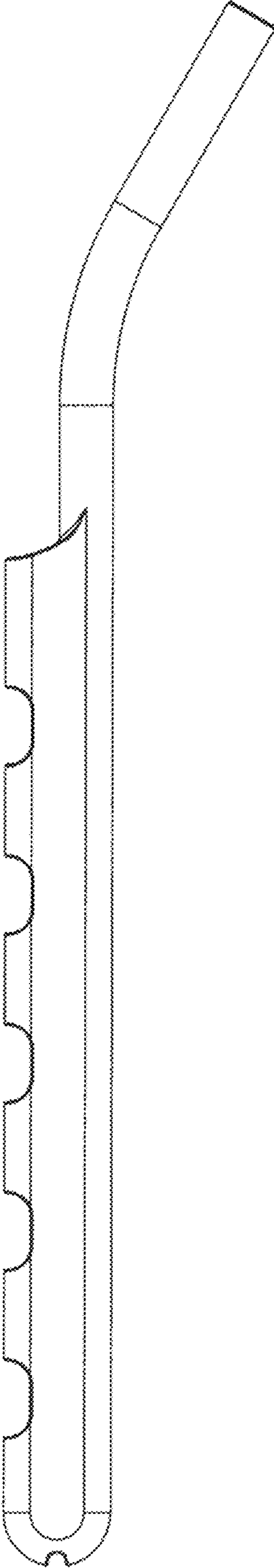


FIG. 5

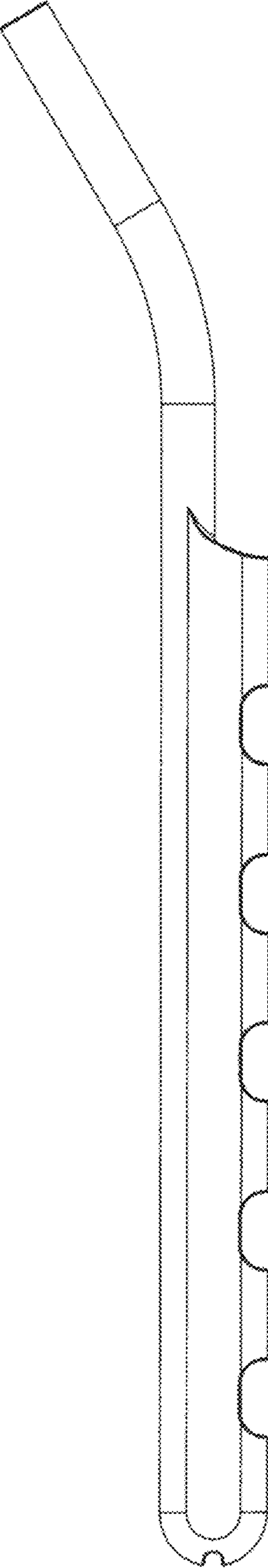


FIG. 6

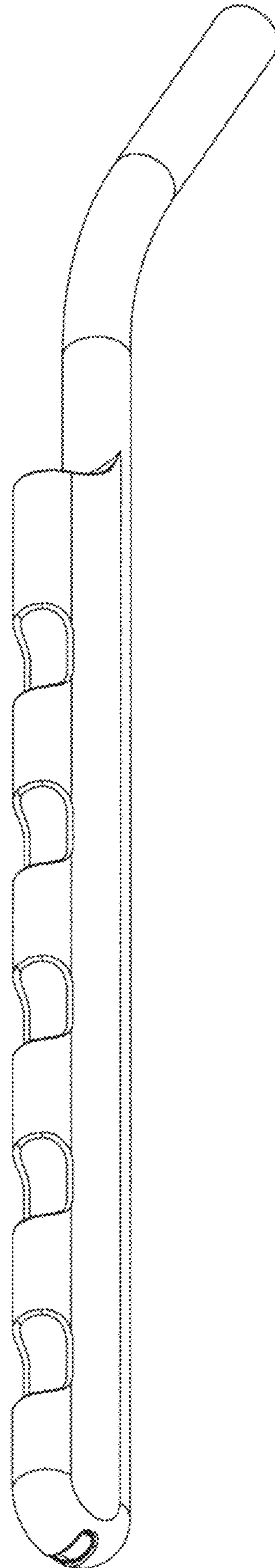


FIG. 7