

US00D942790S

(12) **United States Design Patent**  
**Cheng**

(10) **Patent No.:** **US D942,790 S**

(45) **Date of Patent:** **\*\* Feb. 8, 2022**

- (54) **SEAT**
- (71) Applicant: **Bo Cheng**, Nanchang (CN)
- (72) Inventor: **Bo Cheng**, Nanchang (CN)
- (\*\*) Term: **15 Years**
- (21) Appl. No.: **29/776,559**
- (22) Filed: **Mar. 31, 2021**
- (51) **LOC (13) Cl.** ..... **06-06**
- (52) **U.S. Cl.**  
USPC ..... **D6/716**
- (58) **Field of Classification Search**  
USPC ..... D6/334-336, 364, 365, 366, 374, 379,  
D6/380, 716, 716.1, 716.2, 716.3, 716.4  
CPC ..... A47C 7/002; A47C 7/004; A47C 7/006;  
A47C 7/18; A47C 7/24; A47C 7/40;  
A47C 4/028; A47C 7/46  
See application file for complete search history.

D405,617 S *	2/1999	Kaczmarek .....	D6/366
D439,451 S *	3/2001	Simons, Jr. ....	D6/716.4
D442,400 S *	5/2001	Simons, Jr. ....	D6/716
D469,284 S *	1/2003	Holbrook .....	D6/716
D583,595 S *	12/2008	Knowles .....	D6/366
D779,851 S	2/2017	Bougay	
D809,316 S	2/2018	Rockwell et al.	
D811,144 S *	2/2018	Li .....	D6/716
D817,017 S *	5/2018	Levine .....	D6/374
D905,987 S *	12/2020	Grcic .....	D6/366
D905,988 S *	12/2020	Ephgrave .....	D6/366

\* cited by examiner

*Primary Examiner* — Mimosa De

(57) **CLAIM**

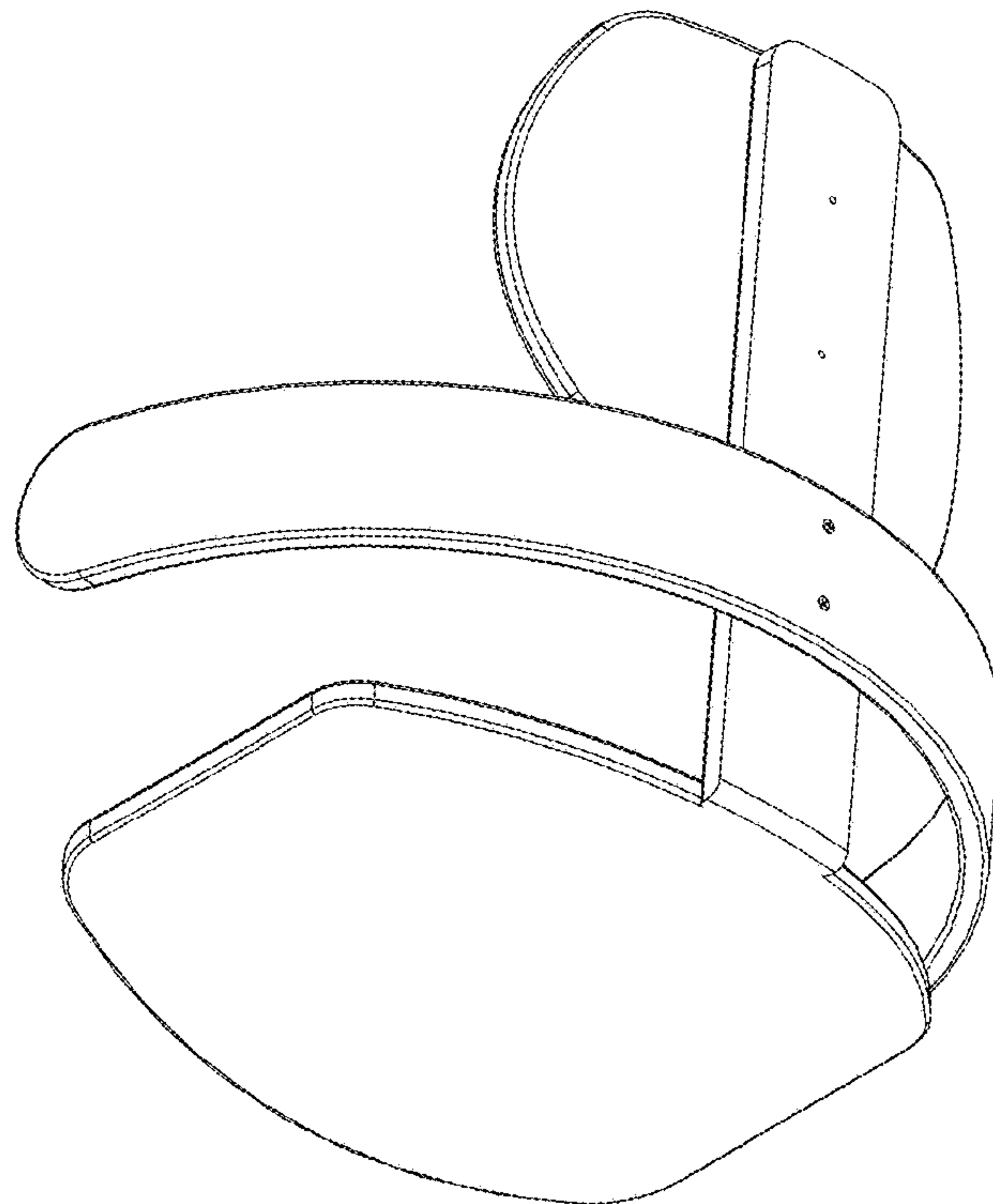
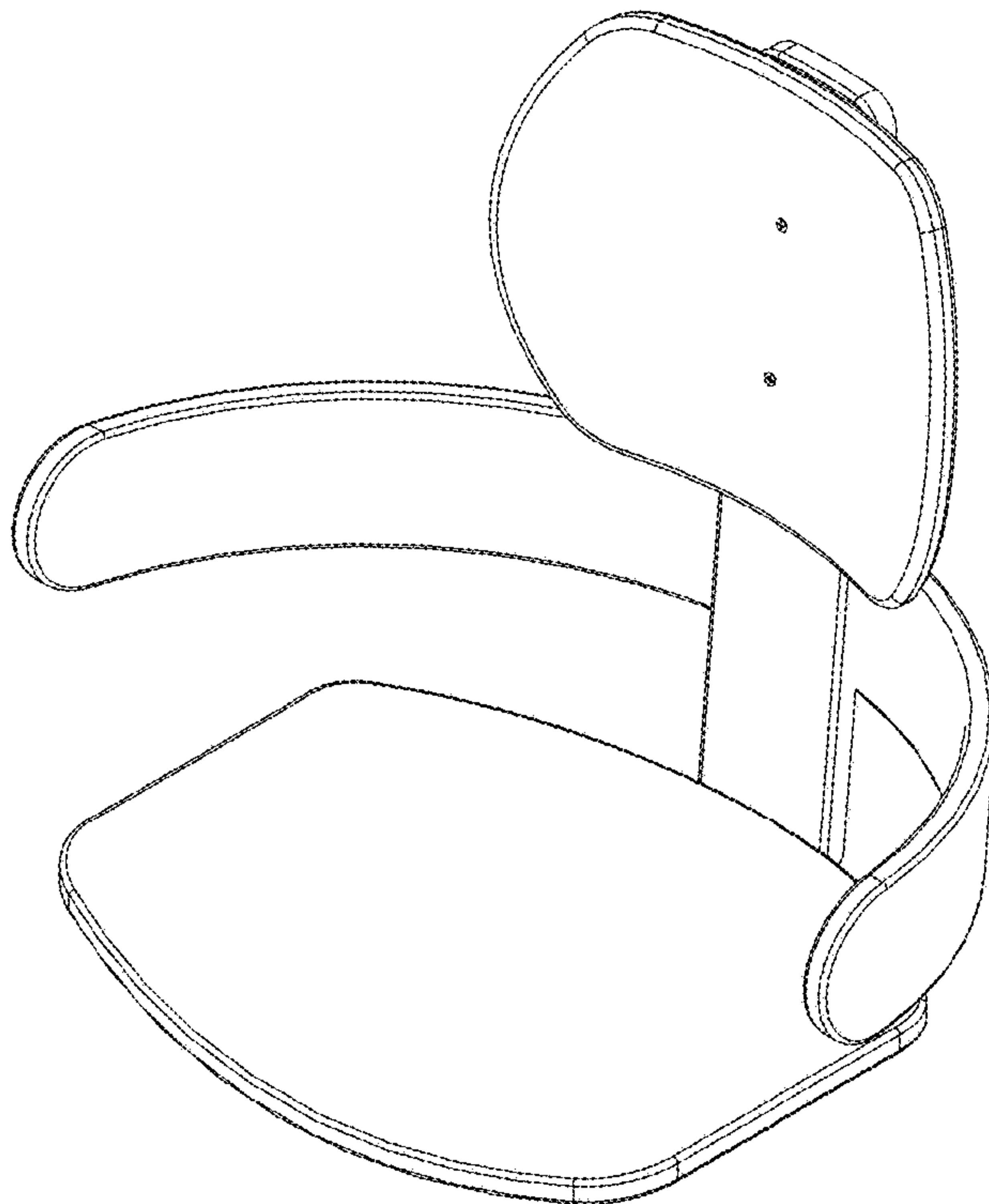
The ornamental design for a seat, as shown and described.

**DESCRIPTION**

FIG. 1 is a front elevational of a seat showing my new design;  
 FIG. 2 is a rear elevational view thereof;  
 FIG. 3 is a left side elevational view thereof;  
 FIG. 4 is a right side elevational view thereof;  
 FIG. 5 is a bottom plan view thereof;  
 FIG. 6 is a top plan view thereof;  
 FIG. 7 is a perspective view hereof; and,  
 FIG. 8 is another perspective view thereof.

**1 Claim, 8 Drawing Sheets**

- (56) **References Cited**  
U.S. PATENT DOCUMENTS  
D326,578 S \* 6/1992 Kaye ..... D6/716.4  
D395,172 S \* 6/1998 Pate ..... D6/366



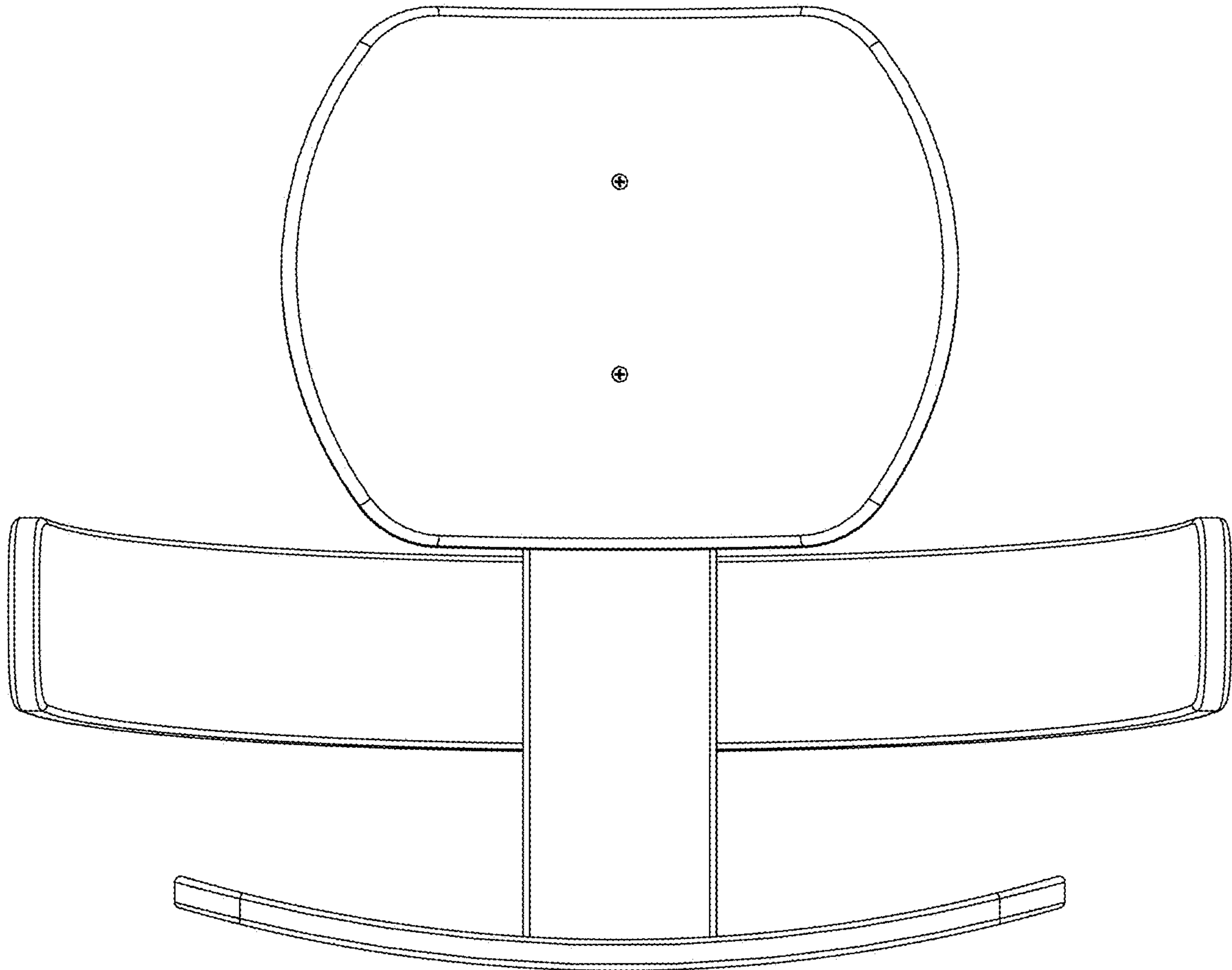


FIG. 1

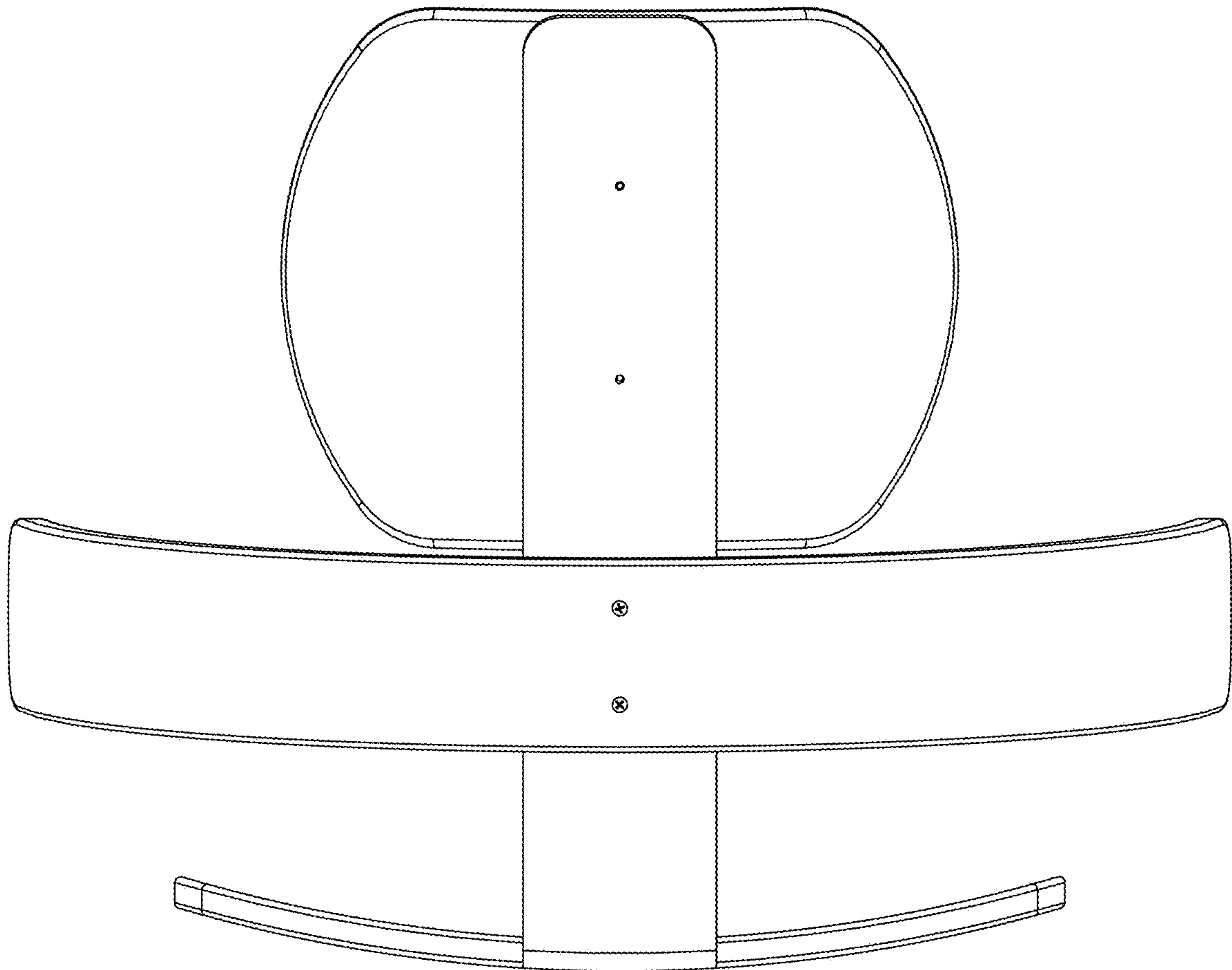


FIG. 2

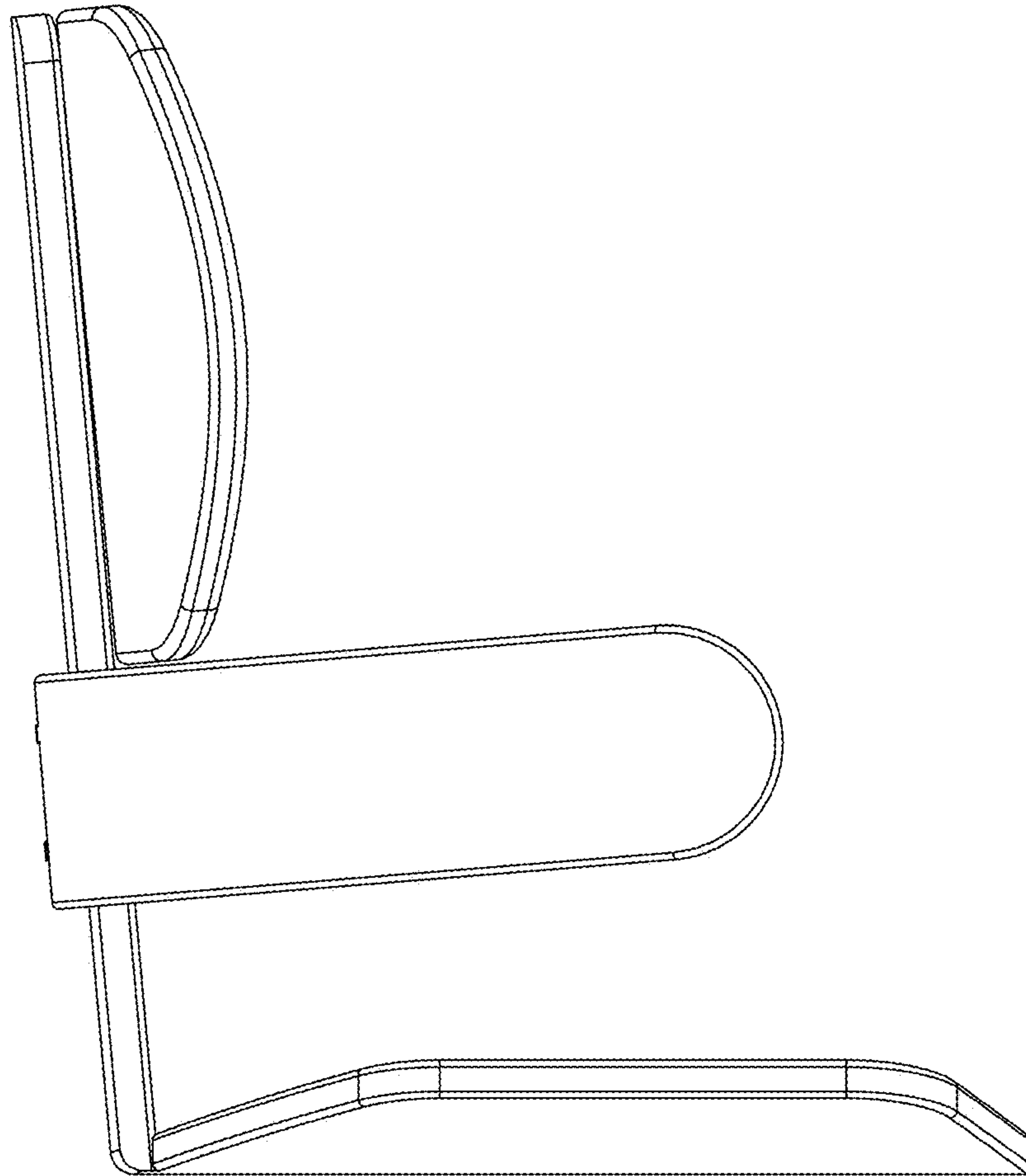


FIG. 3

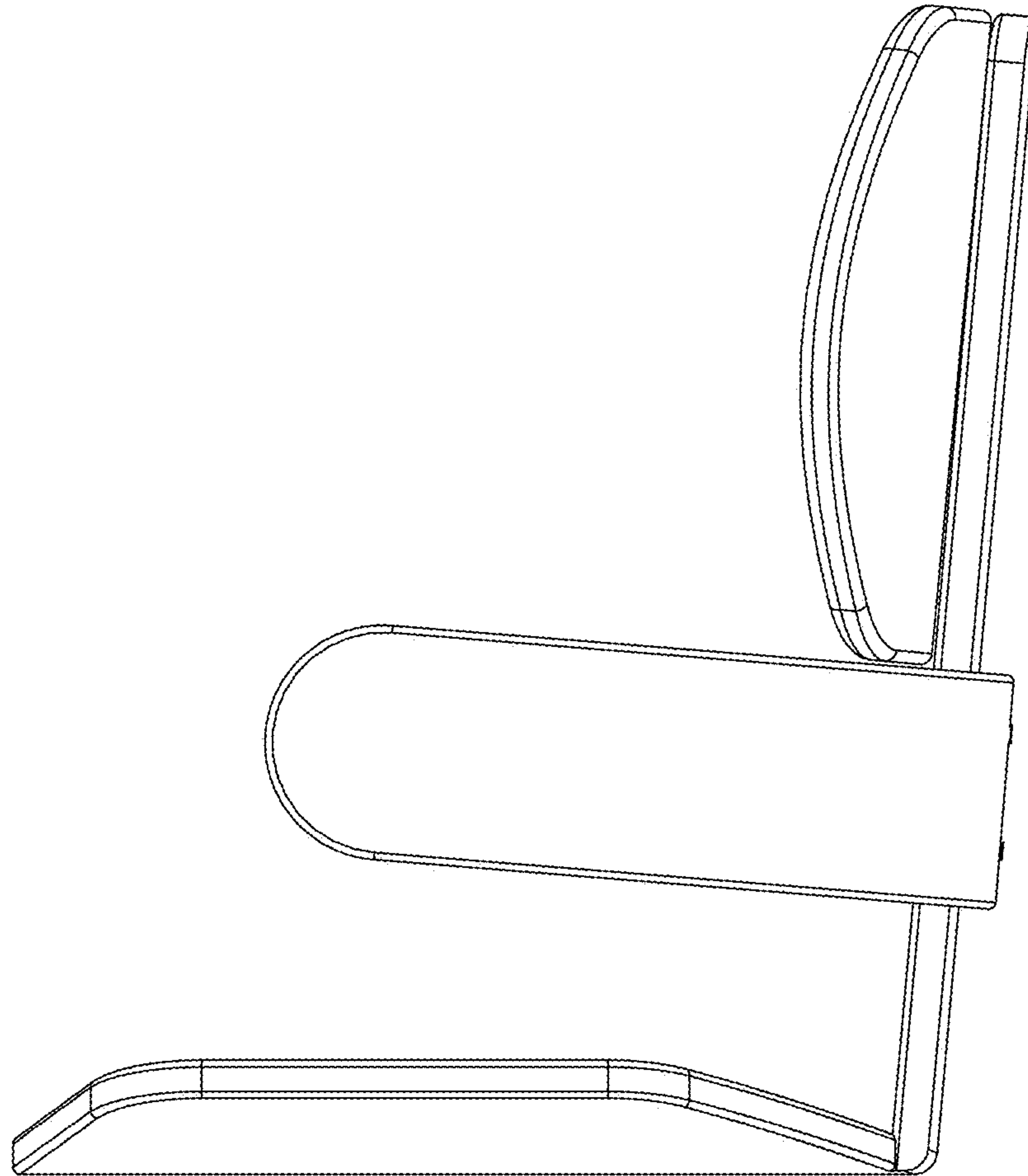


FIG. 4

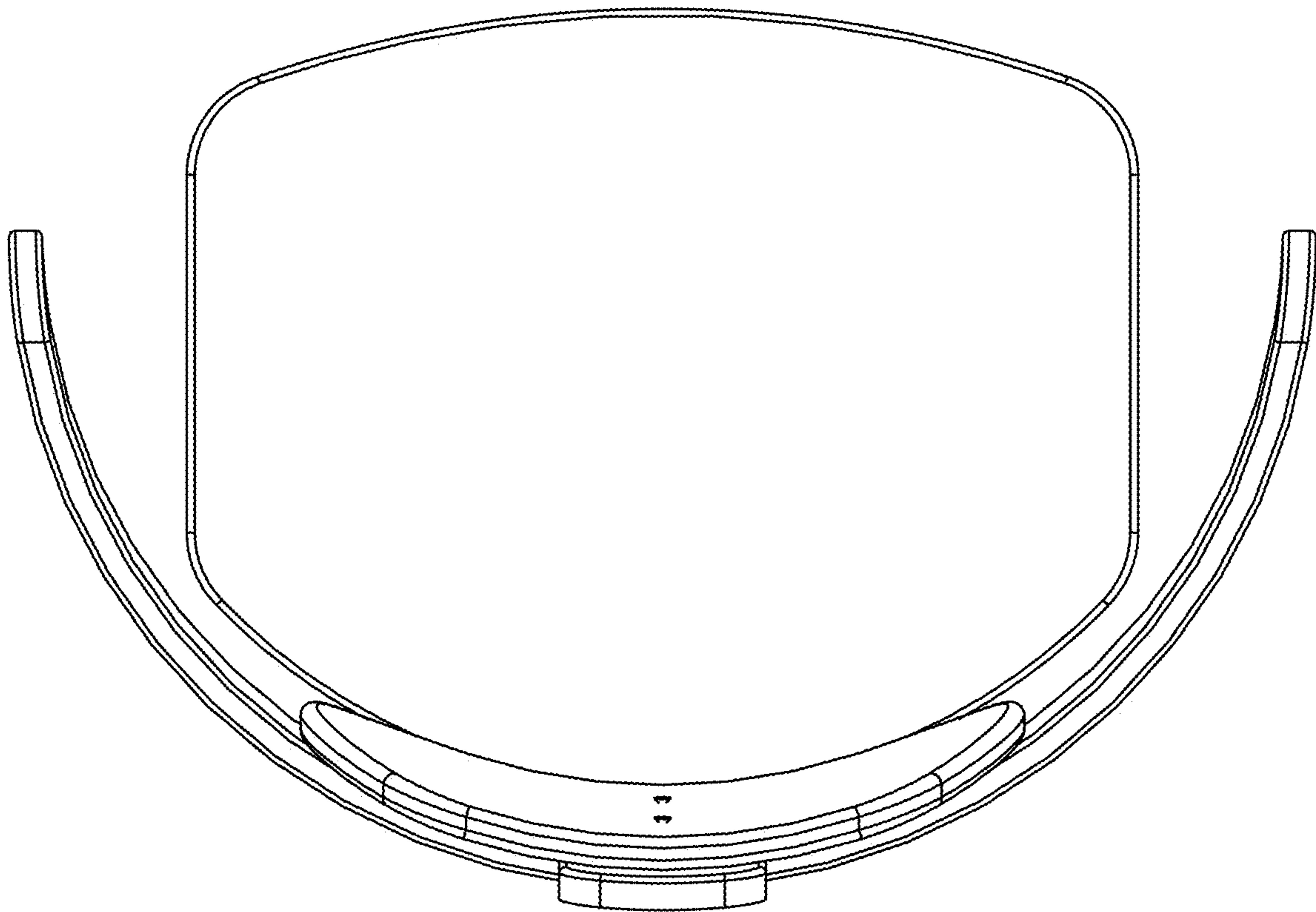


FIG. 5



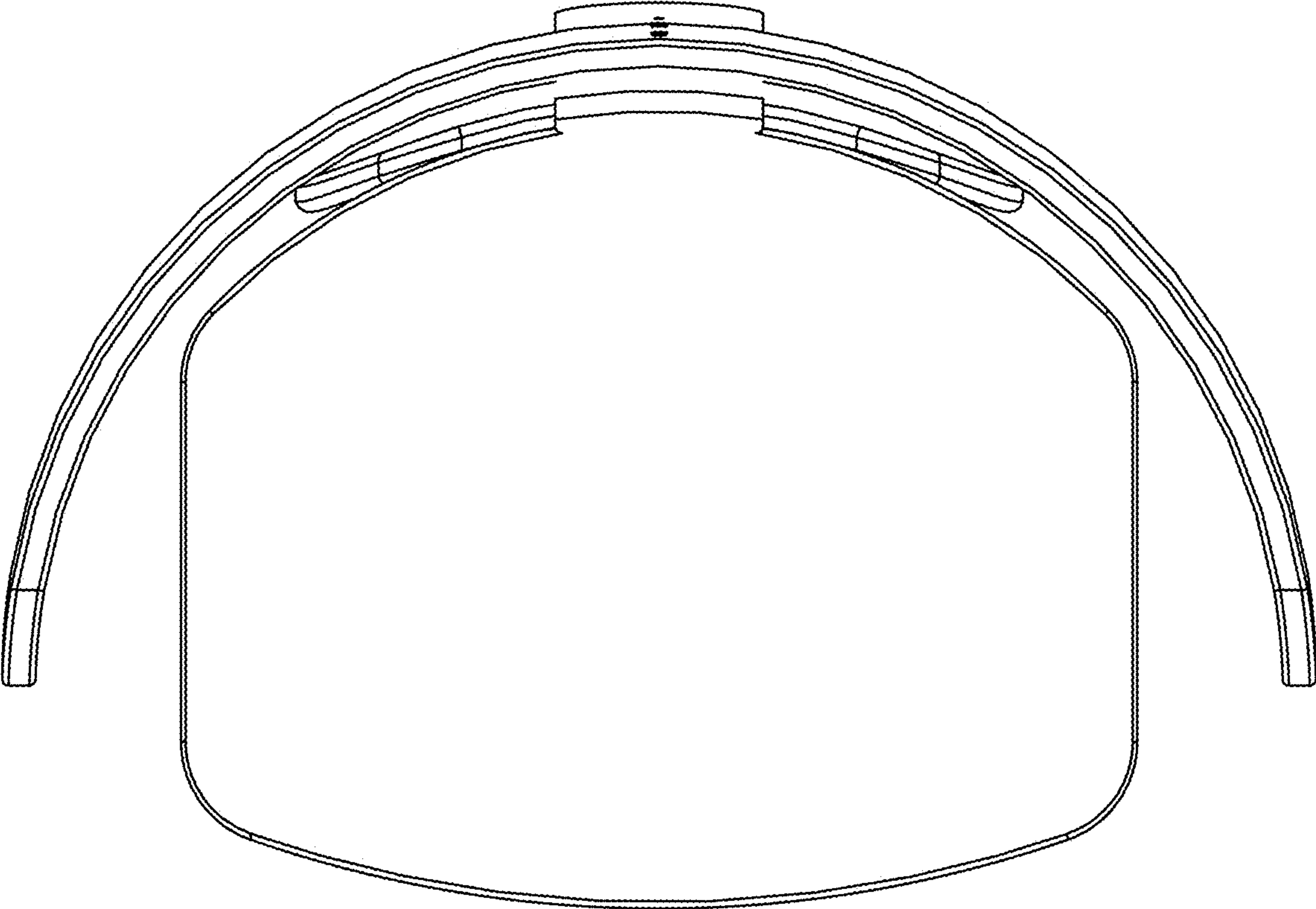


FIG. 6

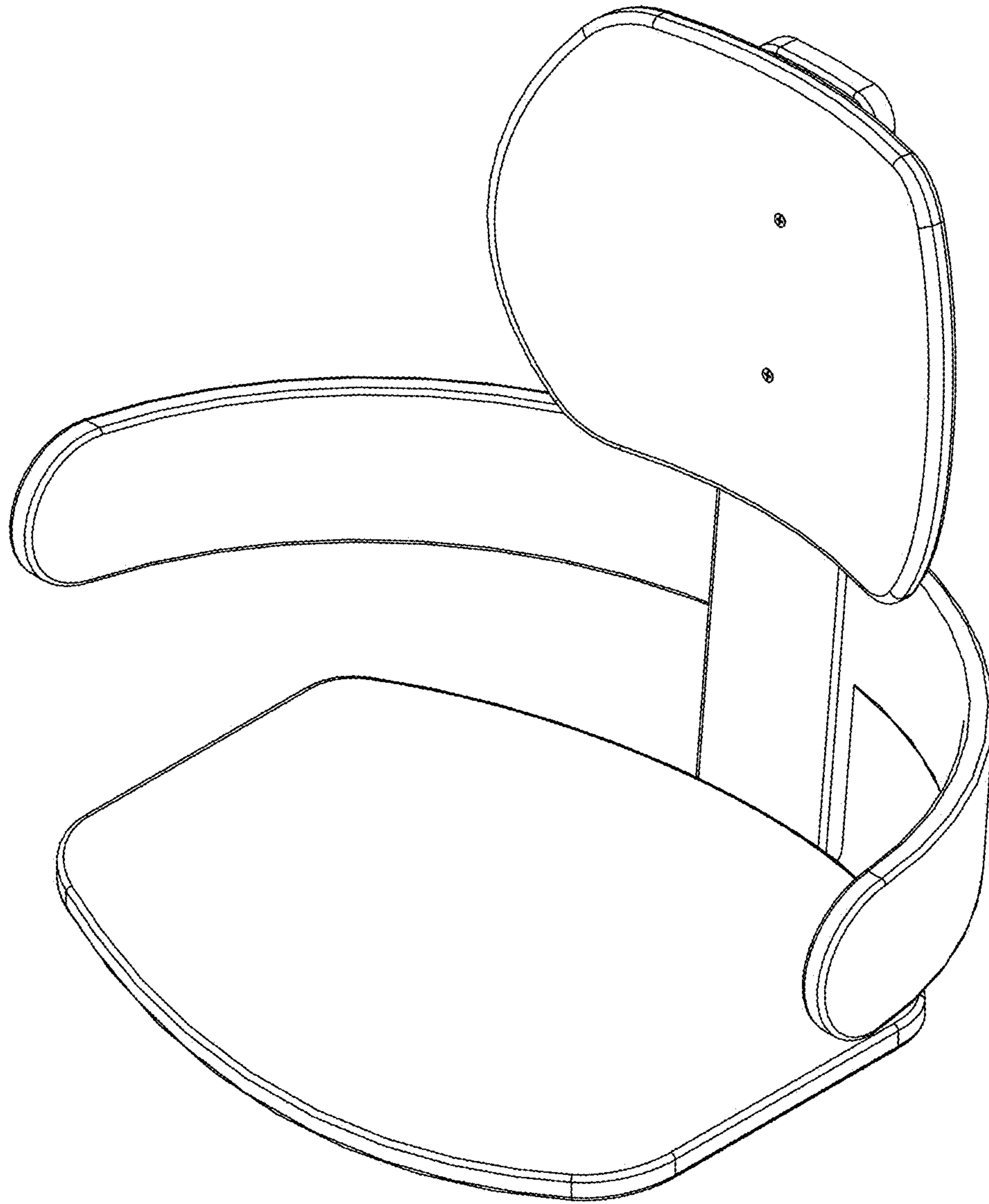


FIG. 7



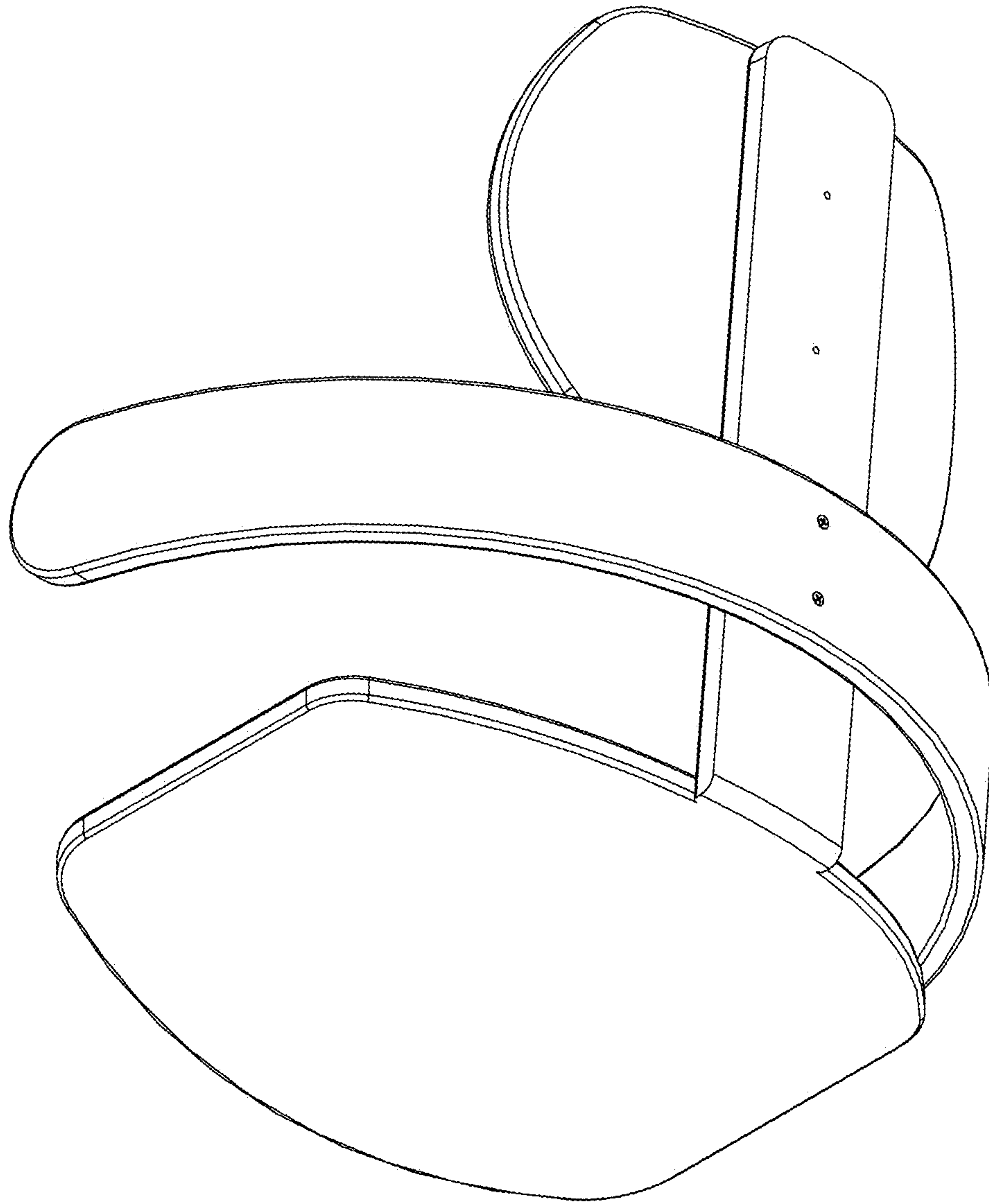


FIG. 8