



US00D942789S

(12) **United States Design Patent**
Marsden

(10) **Patent No.:** **US D942,789 S**

(45) **Date of Patent:** **** *Feb. 8, 2022**

(54) **TREAD FOR A STEP**

(71) Applicant: **Elbee Pty Ltd.**, Bondi Junction (AU)

(72) Inventor: **Andrew Marsden**, Hingham, MA (US)

(73) Assignee: **Elbee Pty Ltd.**, Bondi Junction (AU)

(*) Notice: This patent is subject to a terminal disclaimer.

(**) Term: **15 Years**

(21) Appl. No.: **29/724,960**

(22) Filed: **Feb. 20, 2020**

(51) **LOC (13) Cl.** **06-01**

(52) **U.S. Cl.**
USPC **D6/716; D6/350**

(58) **Field of Classification Search**
USPC D6/334–338, 340–343, 349–353, 355,
D6/364–365, 691–691.9, 692–692.6,
D6/716–716.1; D25/65
CPC A47B 7/00–02; A47C 11/00; A47C 12/00;
A47C 13/00; A47C 16/00; A47C
16/02–04; A47C 9/00–105; A47K 17/02;
A47K 17/028

See application file for complete search history.

(56) **References Cited**

U.S. PATENT DOCUMENTS

D307,800 S *	5/1990	Hradisky	D25/65
D335,966 S *	6/1993	Schwartzkopf	D6/349
D351,476 S *	10/1994	Grosfillex	D25/63
D449,386 S *	10/2001	Cheris	D25/65
D501,683 S *	2/2005	Hernandez	D25/65
D563,685 S *	3/2008	Adams	D6/350
D566,978 S *	4/2008	Gonzalez	D6/350
D600,929 S	9/2009	Kemnitzner		
D606,768 S *	12/2009	Tu	D6/350
D618,229 S *	6/2010	de Jong	D14/250
D630,864 S *	1/2011	Perelman	D6/351
D636,396 S *	4/2011	Li	D14/439

8,197,103 B2	6/2012	Chang et al.		
D666,182 S *	8/2012	Zheng	D14/248
D695,032 S *	12/2013	Buitendag	D6/349
D724,866 S *	3/2015	Johnson	D6/606
D743,091 S	11/2015	Degradis et al.		
797,645 A1	9/2017	Nishii		
10,123,669 B2	11/2018	Edwards		
D865,386 S *	11/2019	Sphikas	D6/350

(Continued)

OTHER PUBLICATIONS

Two-Step Plastic Step Stool. [online] Retrieved Nov. 17, 2020 from URL: <https://www.menards.com/main/paint/ladders-scaffolding/step-stools-step-ladders/two-step-plastic-step-stool-250-lb-max/41309/p-4364363663400790.htm>.*

(Continued)

Primary Examiner — Vy N Koenig

(74) *Attorney, Agent, or Firm* — Wolf, Greenfield & Sacks, P.C.

(57) **CLAIM**

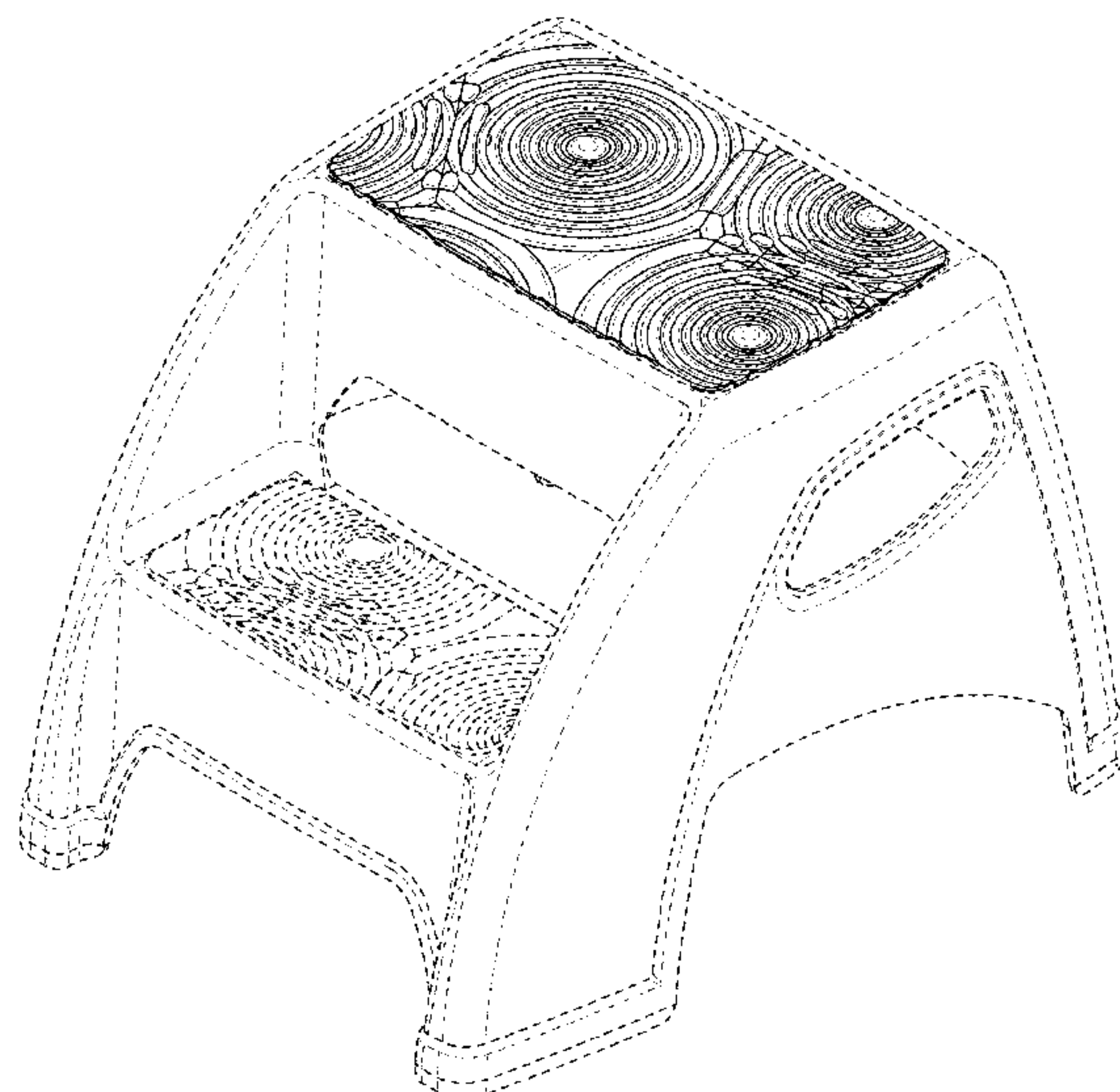
The ornamental design for a tread for a step, as shown and described.

DESCRIPTION

FIG. 1 is a top, front, and right side perspective view of a tread for a step according to my new design; FIG. 2 is a top, front, and left side perspective view thereof; FIG. 3 is a front elevation view thereof; FIG. 4 is a rear elevation view thereof; FIG. 5 is a left side elevation view thereof; FIG. 6 is a right side elevation view thereof; FIG. 7 is a top plan view thereof; and, FIG. 8 is a bottom plan view thereof.

The dot-dash broken lines represent boundaries of the claimed design and form no part of the claimed design. The dash-dash broken lines depict portions of the tread for a step that form no part of the claimed design.

1 Claim, 8 Drawing Sheets



(56)

References Cited

U.S. PATENT DOCUMENTS

D904,046 S * 12/2020 Stroikov D6/349
 D904,047 S * 12/2020 Stroikov D6/349
 2014/0131138 A1* 5/2014 Simpson A47C 12/00
 182/223
 2015/0359390 A1* 12/2015 Goetz A47C 3/04
 4/611

OTHER PUBLICATIONS

Top 5 Best Plastic Step Stool Review in 2020. [online] Retrieved Nov. 17, 2020 from URL: <https://greathomedepot.com/plastic-step-stool/>.*

Playtex Surefoot Single Step Stool. [online] Retrieved Mar. 11, 2021 from URL: <https://www.target.com/p/playtex-surefoot-single-tier-step-stool-white/-/A-77377899>.*

Ubbi Step Stool. [online] Retrieved Mar. 11, 2021 from URL: https://enlightenedbaby.com/product/ubbi-step-stool/?gclid=Cj0KCQiAnKeCBhDPARIsAFDTLTKRjaq61QtHsXxcvr2_Nf8Nw4fDOuztaOe8f8kTpme-S2BxQRptwjAaAh_oEALw_wcB.*

[No Author Listed] Rolling Step Stool—Black, Model No. H-7846BL. Uline. https://www.uline.com/Product/Detail/H-7846BL/Ladders/Rolling-Step-Stool-Black?pricode=WB8203&gadtype=pla&id=H-7846BL&gclid=EAIaIQobChMIrOCd9pLj4wIVBVYMCh2rbgiyEAQYAyABEgLBPD_BwE&gclsrc=aw_ds, publicly available at least as early as Aug. 4, 2019, 1 page.

[No Author Listed] Baby Bjorn Step Safe. Publicly available prior to Feb. 20, 2020. 1 page.

[No Author Listed] Dreambaby Step Stool. Publicly available prior to Feb. 20, 2019. 1 page.

[No Author Listed] Ubbi Step Stool. Publicly available prior to Sep. 13, 2019, 1 page.

* cited by examiner

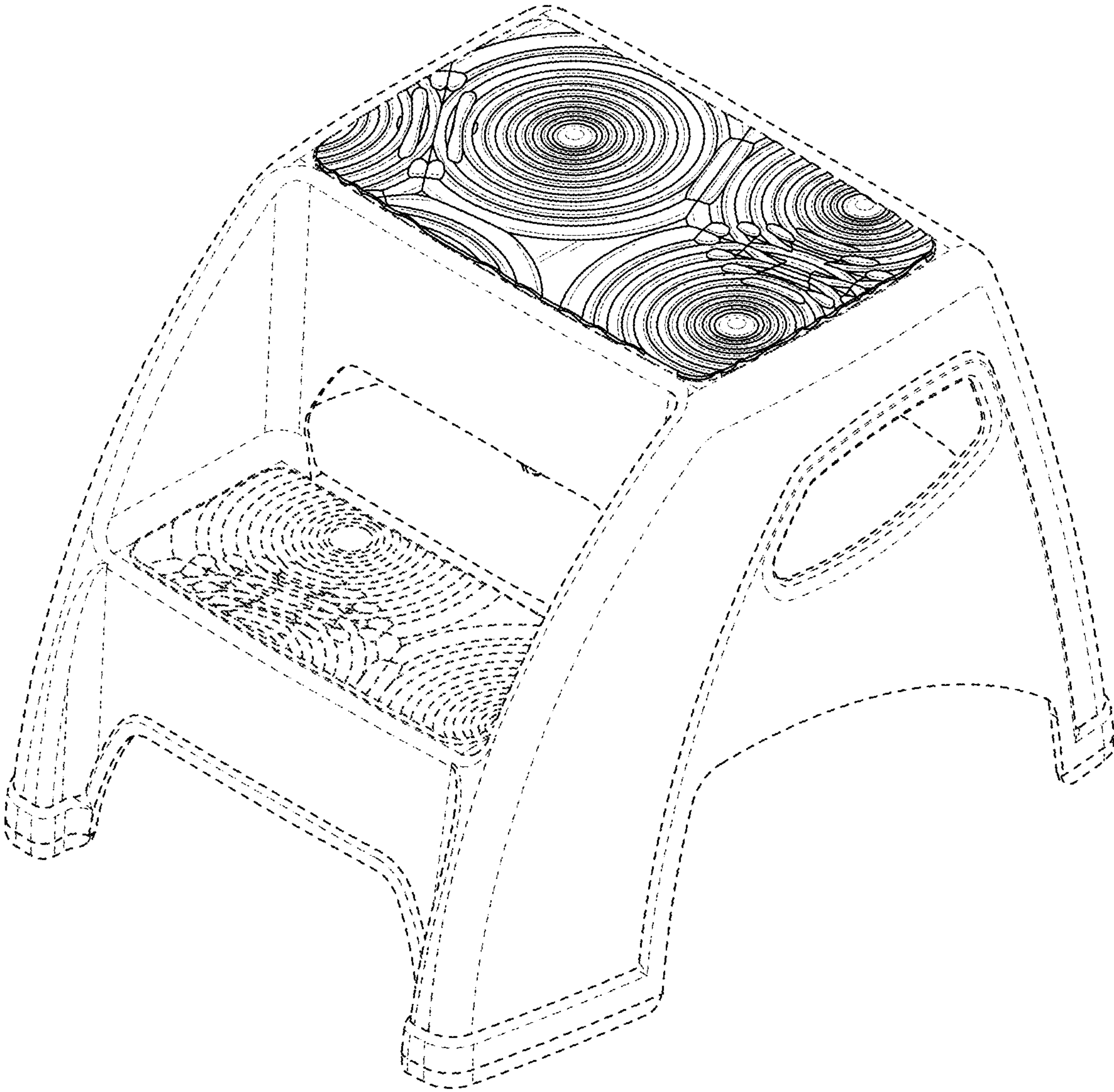


FIG. 1

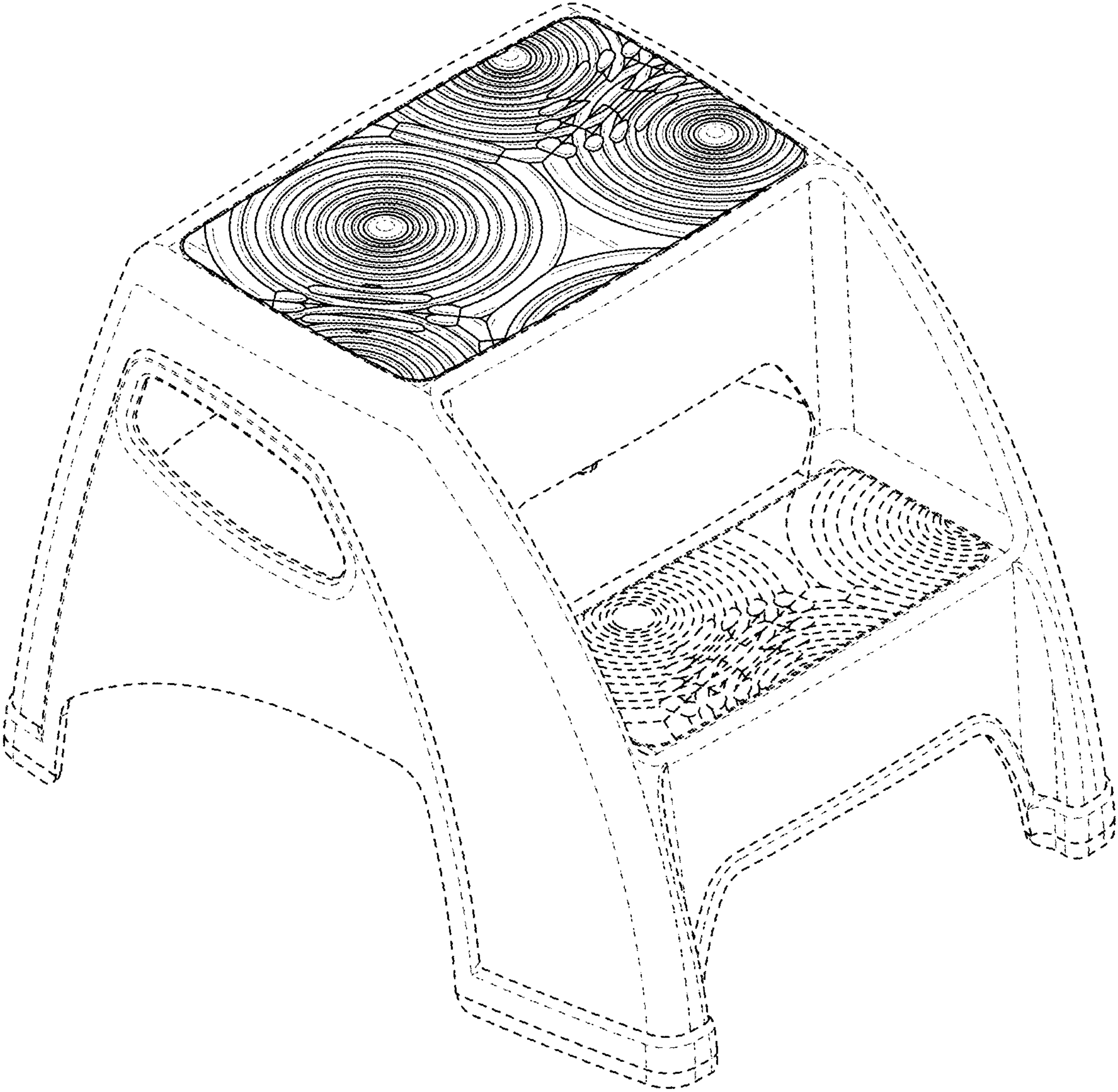


FIG. 2

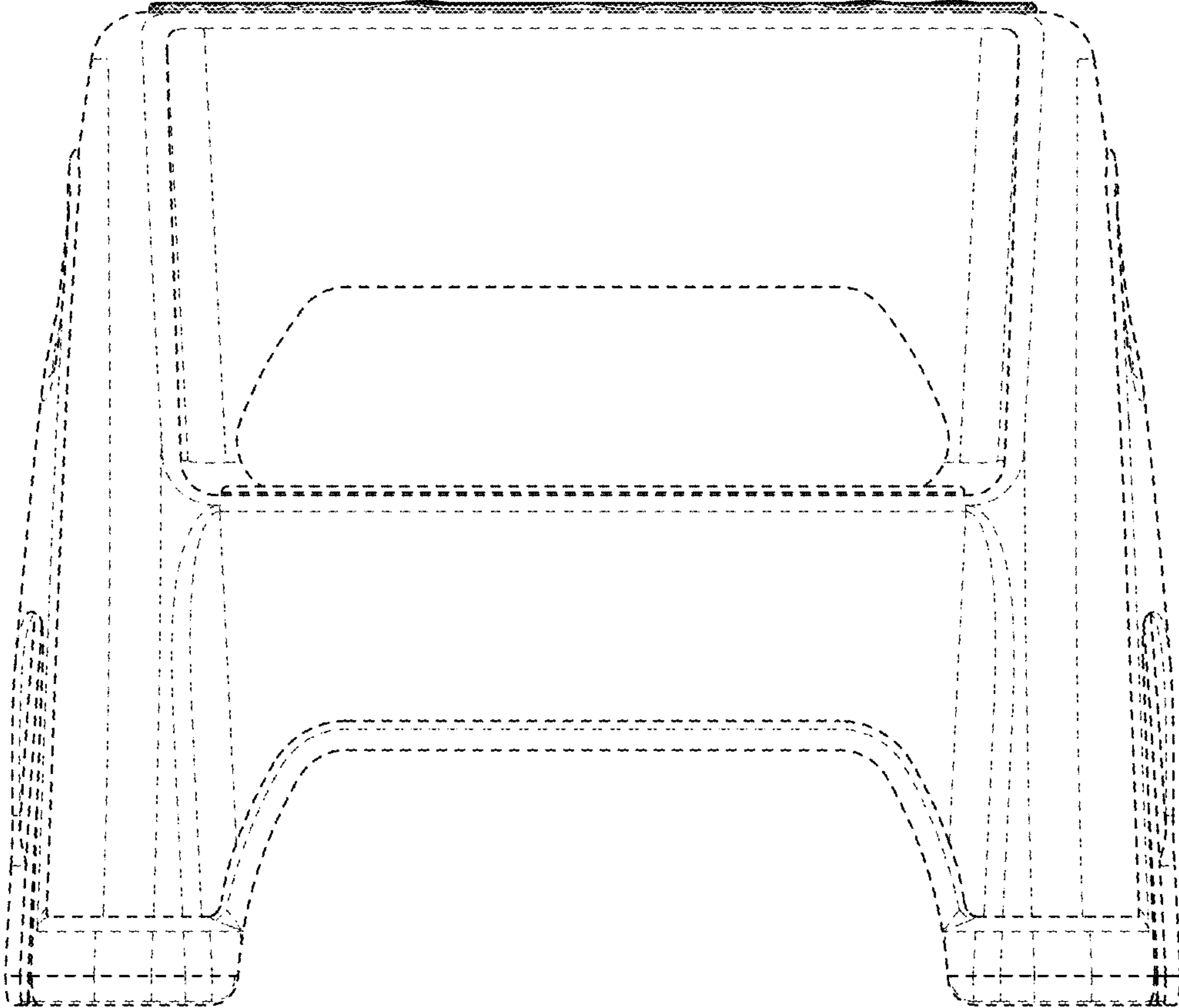


FIG. 3

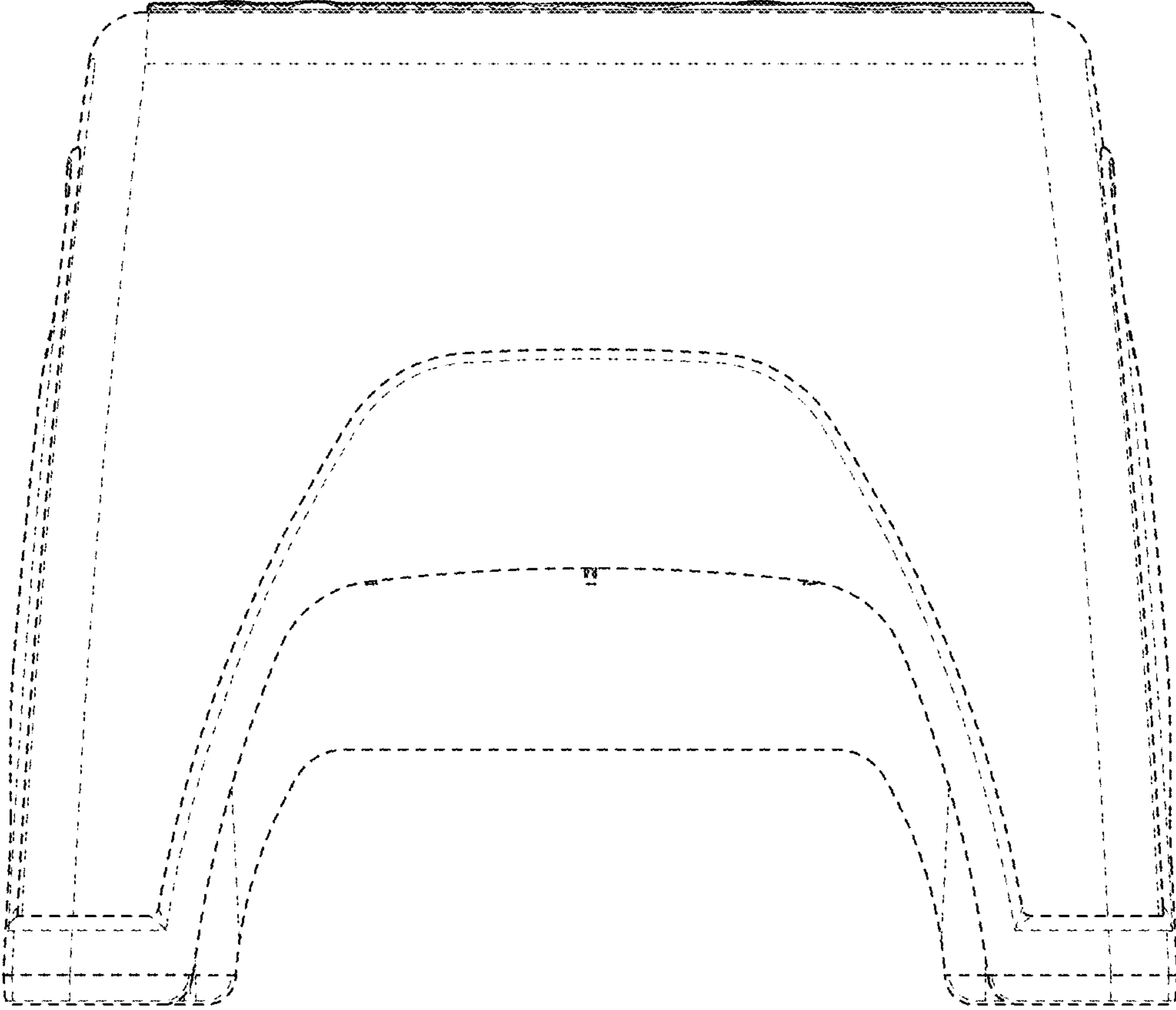


FIG. 4

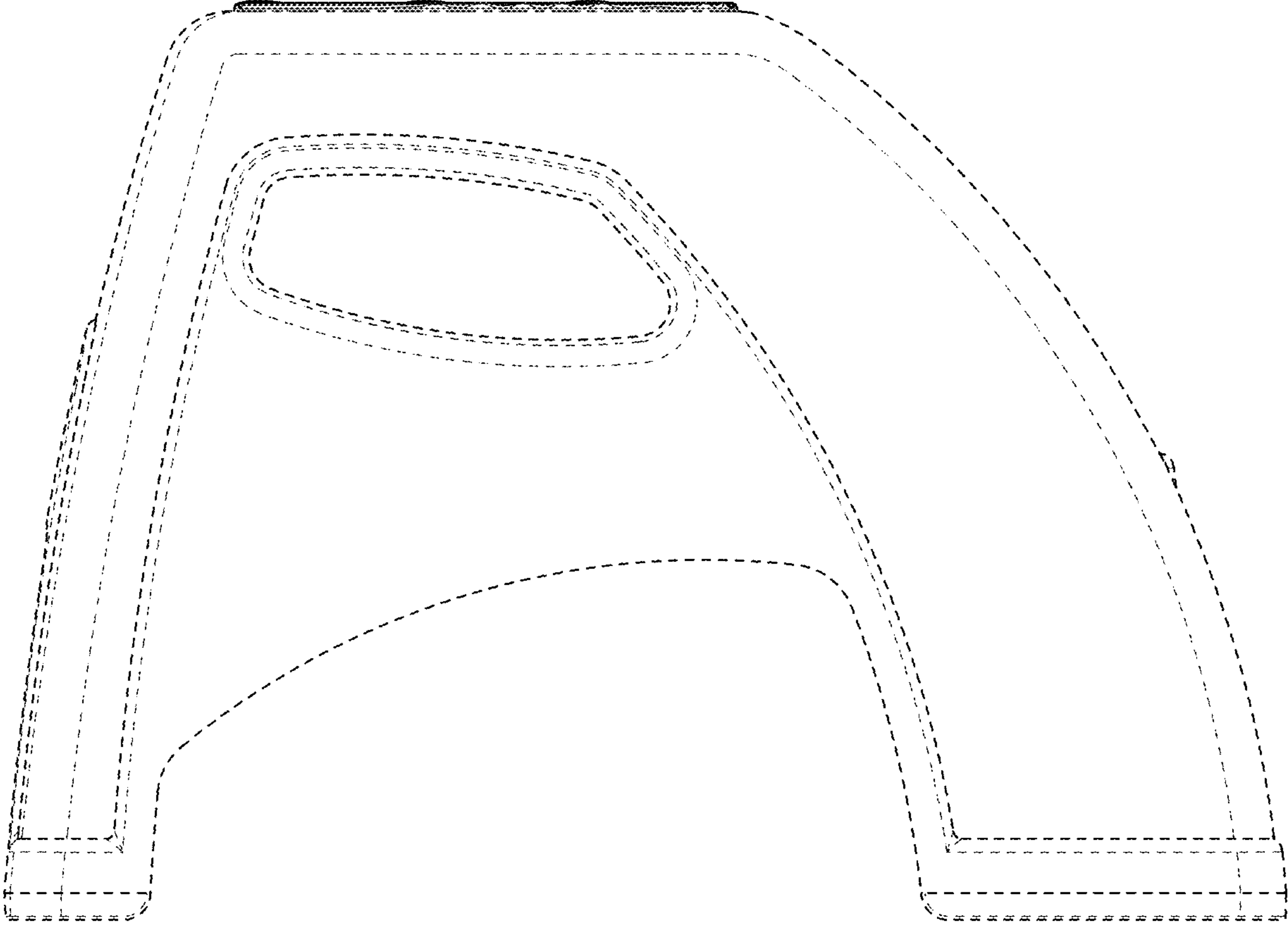


FIG. 5

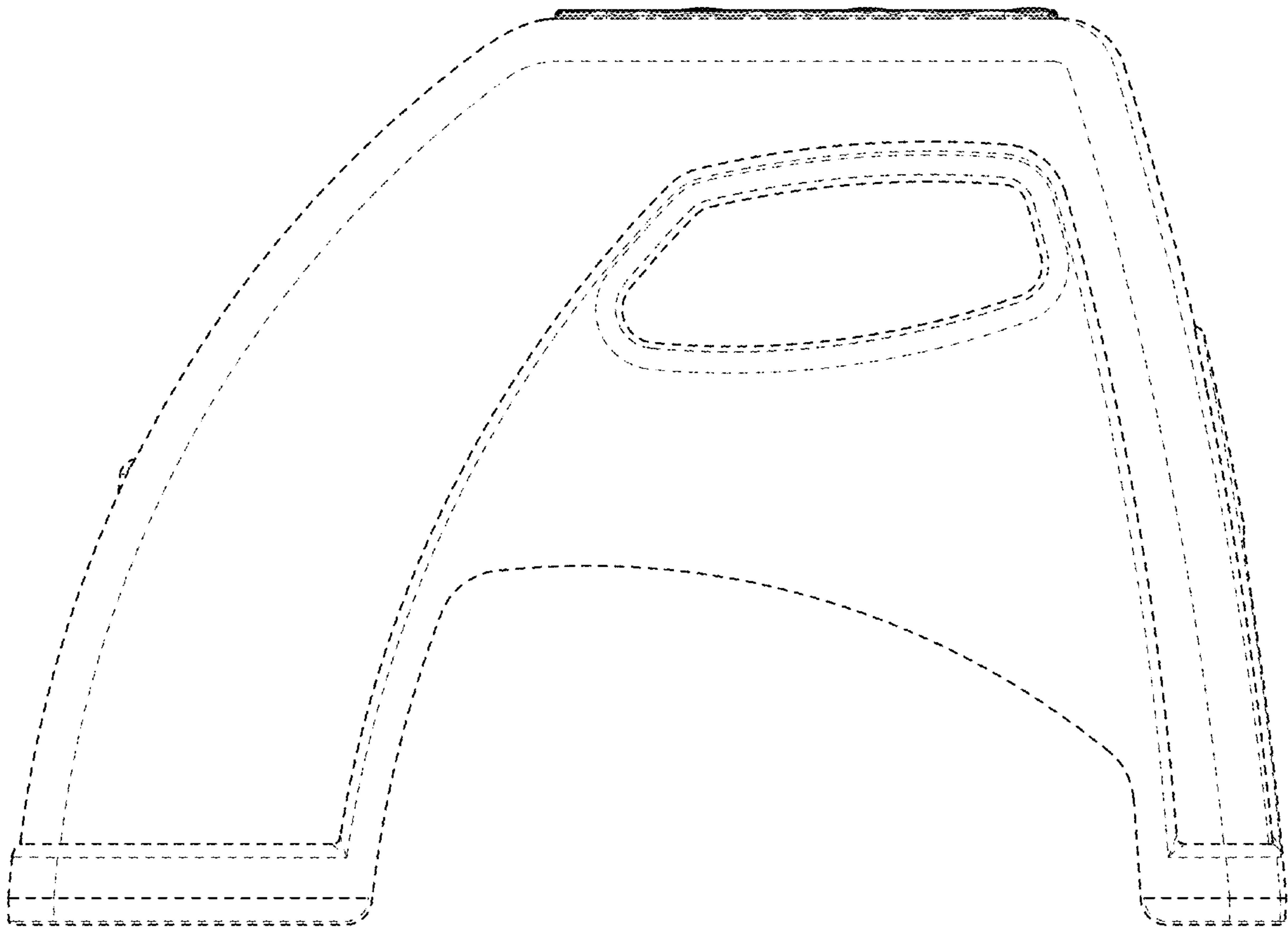


FIG. 6

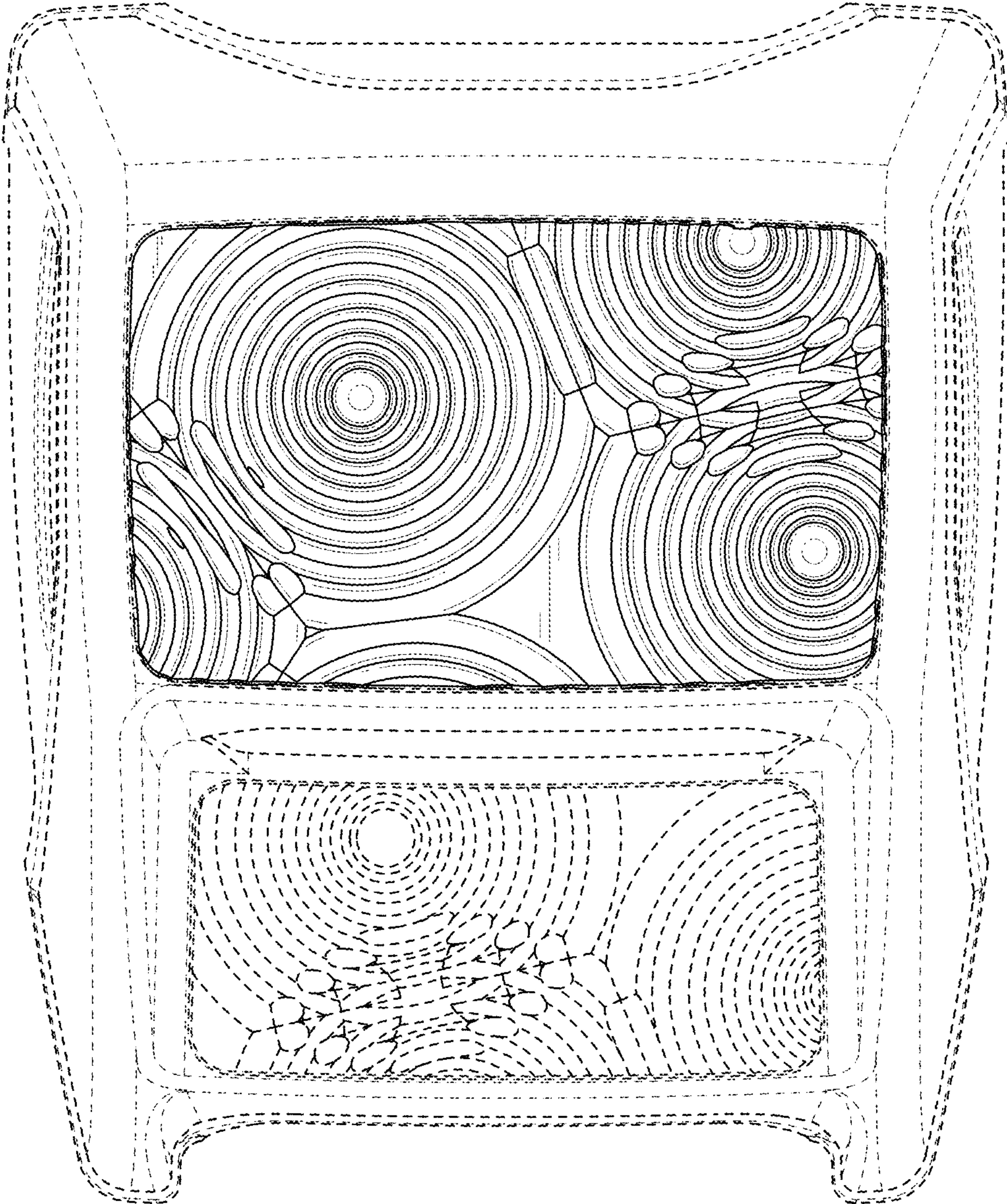


FIG. 7

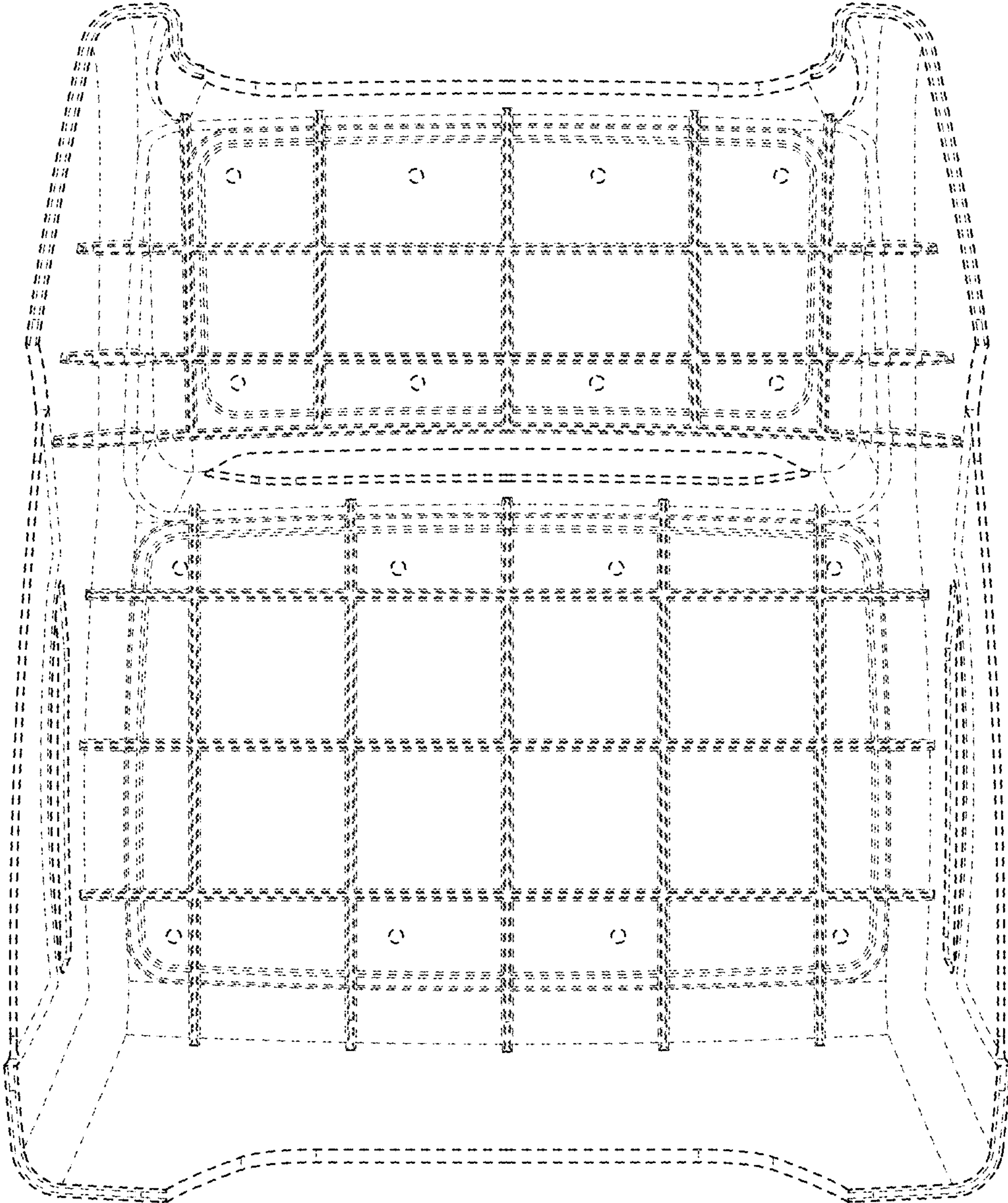


FIG. 8